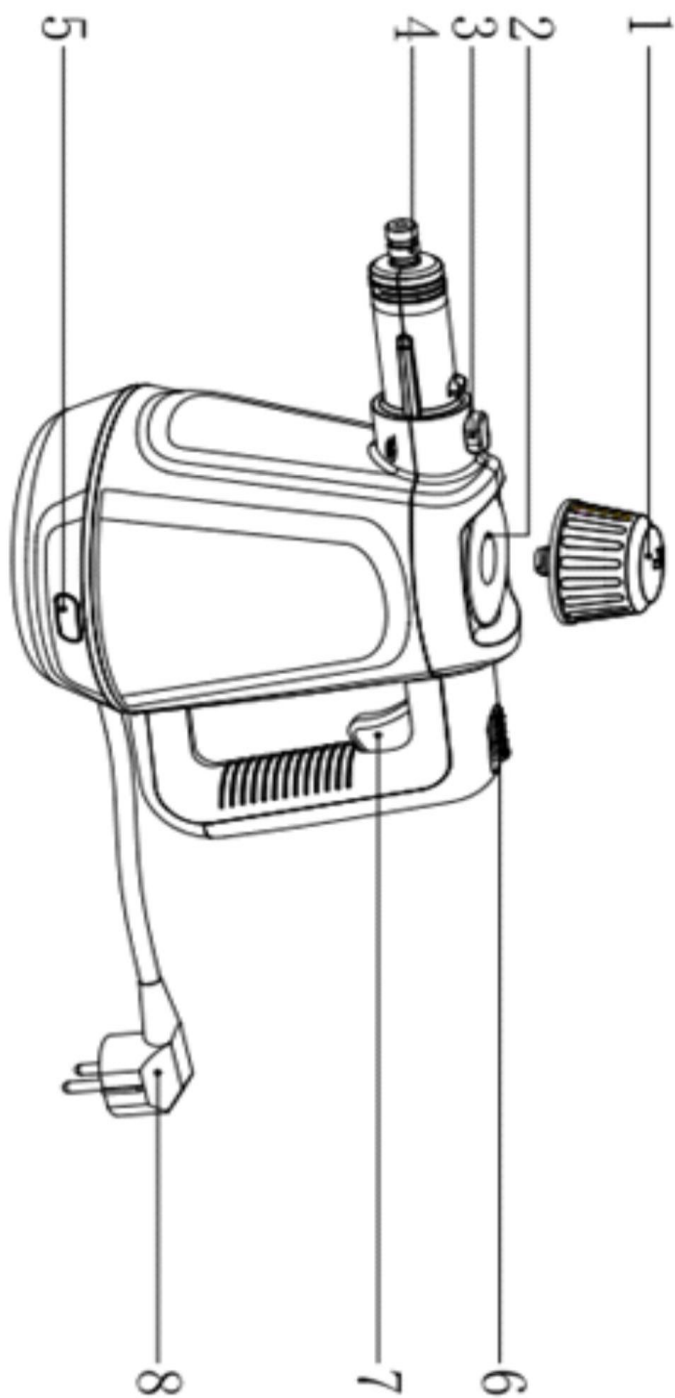


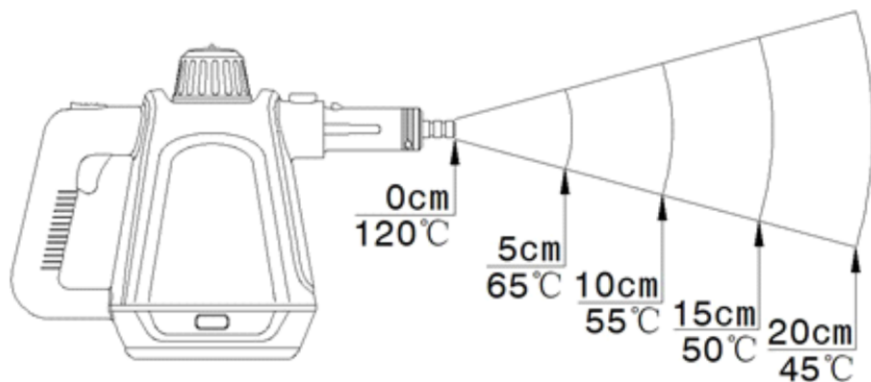














AD 7038					
EN	User Manual	5	PL	Instrukcja obsługi	85
DE	Bedienungsanleitung	9	IT	Manuale d'uso	91
FR	Mode d'emploi	15	SV	Bruksanvisning	96
ES	Manual de usuario	20	BG	Ръководство за употреба	101
PT	Manual de Instruções	25	DA	Bruksanvisning	106
LT	Naudojimo instrukcija	30	SK	Používateľská príručka	111
LV	Lietošanas instrukcija	35	BS	Korisnički priručnik	116
ET	Kasutusjuhend	40	MK	Упатство за употреба	121
HU	Használati útmutató	45	HR	Korisnički priručnik	126
RO	Manual de utilizare	50	UK	Керівництво користувача	131
CS	Návod k použití	55	SR	Упутство за употребу	136
RU	Руководство пользователя	60	AR	دليل المستخدم	141
EL	Εγχειρίδιο χρήσης	65	AZ	İstifadəçi təlimatı	144
NL	Gebruikershandleiding	71	SQ	Manuali i përdorimit	149
SL	Navodila za uporabo	76	KA	ინსტრუქცია	154
FI	Käyttöohje	81			

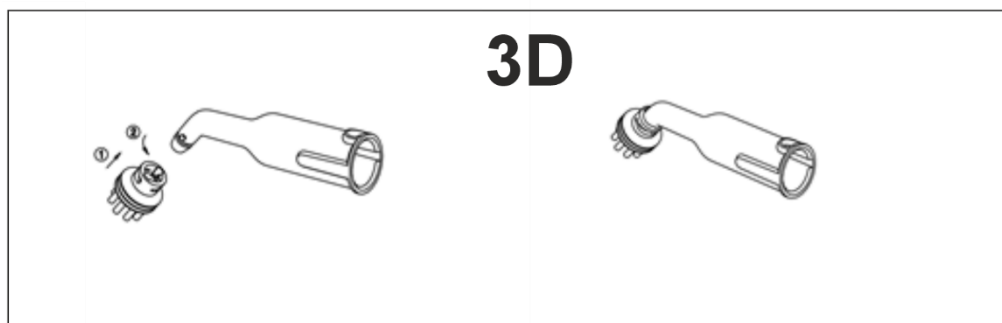
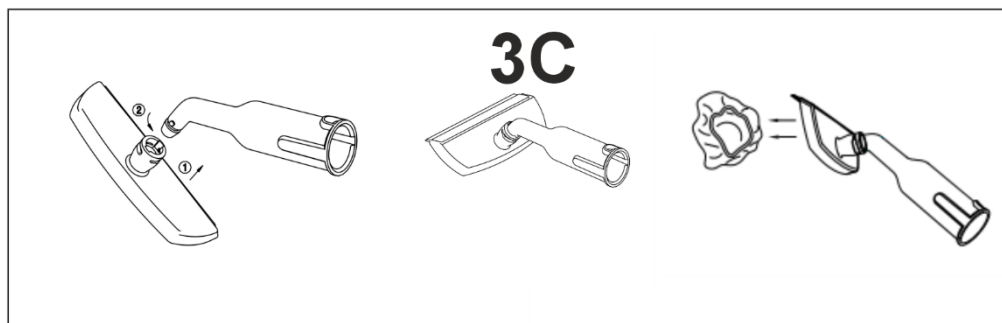
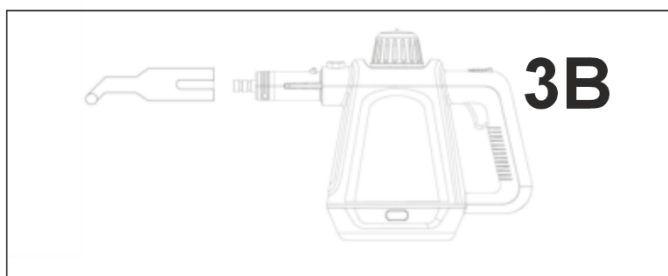
1A



2A



A		B	
C		D	
E		F	
G		H	
I		J	
K		L	



User Manual (EN)

SAFETY CONDITIONS

IMPORTANT SAFETY INSTRUCTIONS FOR USE

PLEASE READ CAREFULLY AND RETAIN FOR FUTURE REFERENCE

Warranty conditions are different if the device is used for commercial purposes.

1. Before using the product, read carefully and always follow the instructions below. The manufacturer is not responsible for any damage caused by improper use.
2. The product may only be used indoors. Do not use the product for purposes incompatible with its use.
3. The applicable voltage is 230V, ~50Hz. For safety reasons, do not connect multiple devices to a single electrical outlet.
4. Be careful when using with children. Do not allow children to play with the product. Do not allow children or people who are unfamiliar with the device to use it without supervision.
5. **WARNING:** This appliance may be used by children over 8 years of age and persons with limited physical, sensory or mental abilities, or persons without experience or knowledge of the appliance, only under the supervision of a person responsible for their safety, or if they have been instructed in the safe use of the appliance and are aware of the dangers associated with its operation. Children should not play with the device. Cleaning and maintenance of the appliance should not be performed by children unless they are at least 8 years old and these activities are performed under supervision.
6. After using the product, always remember to gently remove the plug from the outlet by holding the outlet with your hand. Never pull on the power cord!!!
7. Never leave the product connected to a power source unattended. Even if the use is interrupted for a short time, turn it off from the mains, disconnect the power supply.

8. Never put the power cord, plug or the entire device in water. Never expose the product to weather conditions such as direct sunlight, rain, etc. Never use the product in wet conditions.
9. Periodically check the condition of the power cord. If the power cord is damaged, take the product to a professional service center for replacement to avoid dangerous situations.
10. Never use the product with a damaged power cord or if it has been dropped or otherwise damaged, or if it is not working properly. Do not attempt to repair a defective product yourself, as this may result in electric shock. Always return a defective device to a professional service center for repair. All repairs must be performed only by authorized service technicians. Improper repair may cause dangerous situations for the user.
11. Never place the product on or near hot or warm surfaces or kitchen appliances, such as an electric oven or gas burner.
12. Never use the product near combustible materials.
13. Do not let the cord hang off the edge of the countertop.
14. If the unit is overfilled, boiling water may ejaculate.
15. Never point the steam cleaner at yourself, other people, animals or electrical appliances e.g.: ovens .
16. You can only use the device with original accessories.
17. Do not block the openings of the machine or insert any objects into the openings.
18. Do not tilt the machine more than 45 degrees. The device is designed to work in an upright position.
19. Before pouring water into the machine, disconnect it from the power supply.
20. Do not add any substances to the water used in the device: descalers, aromatic oils, cleaning agents.
21. Make sure the lid of the water tank is firmly screwed to the device.



WARNING: HOT Vapor Danger of scalding

1. Safety cock
2. Filling opening
3. Cap lock
4. Steam outlet
5. Indicator light
6. Child lock
7. Steam drain
8. Power plug

Accessories: A. Funnel × 1 B. Measuring cup × 1 C. Towel set × 1 D. Flat brush × 1 E. Large nozzle × 1 F. Extension hose × 1 G. Nylon brush × 1 H. Stainless steel brush × 1 I. Floor brush x 1 J. Floor brush connector x1 K. Extension tube x 3 L. Floor brush towel x1

NOTE: - First, check in an invisible place whether the material you intend to clean is suitable for steam cleaning, such as:

Steam can cause fading of varnished wood or leather.

Unprotected wood may swell.

Steam can remove protective layers of wax.

Plastics may stain when exposed to steam.

Soft plastics may deform when exposed to steam.

Cold glass or mirror surfaces may crack when exposed to hot steam.

- Never fill a steam cleaner with liquids other than water.

- Never put the steam washer or individual parts in the dishwasher. They would be damaged.

- Stop using the steam washer if its plastic parts show cracks, dents or are deformed. Replace damaged parts only with suitable original replacement parts.

- Do not use the steam cleaner with an empty tank. When the water tank is exhausted, pull the mains plug to avoid overheating.

- When wishing to clean windows, warm them up first, such as by applying steam to a larger area from a greater distance and then from a closer distance.

- Wear gloves, safety glasses and respiratory protection when attempting to remove hazardous substances.

Before first use:

Remove all packaging materials and stickers from the device. Clean the device with a clean and damp cloth. Open the device by turning the safety nut (1) to the left. Fill with water and pour out the water. This will remove all residue and factory dirt from inside the device. Then continue normal operation.

Usage:

1. Place the steam cleaner on a dry and flat surface and open the safety plug (1). To do this, press the cap down firmly and turn it counterclockwise.

2. Use the measuring cup (B) and funnel (A) to fill the device with water. The maximum capacity is 400 ml. We suggest filling to 350 ml for better performance and higher steam production. If there is more than 350 ml in the tank, the steam may contain some water for the first 2 minutes of use.

Special Notes:

Please use clean water (small solid particles may block the pipe or cause the machine to fail)

If the tap water in your area is hard or very hard, we suggest using a mixture of tap water and distilled water.

Please do not pour less than 150 ml of water.

3. Close the cap by turning it clockwise.

4. Insert the power plug into the electrical outlet. A red light will illuminate to indicate heating.

5. When the green light comes on, the device is ready for use. Note that the red light will turn on and off during operation. Please use only when the green light is on. Otherwise, hot water will drip and splash from the device.

6. Turn the child lock (6) to the on position. Then press the steam trigger (7). Steam will start coming out of the device. Remember to always press the steam trigger (7), after releasing the steam trigger (7) the child lock (6) will return to the off position.

When you have finished working or when the water tank is emptied:

After finishing work:

1. Disconnect the device from the mains power supply.

2. Press the steam trigger (7) and keep it pressed until steam stops producing.

3. Wait for the device to cool down for about 12-20 minutes, depending on the amount of steam remaining inside.

4. Slowly unscrew the safety cap (1) and wait a few minutes for the moisture to escape from the device.

If there is no more water in the tank, the device will stop producing steam. The water must be refilled. To do this, follow the steps below:

Re-fill the tank:

1. Disconnect the device from the mains power supply.

2. Press the steam trigger (7) and keep it pressed until steam stops producing.
3. Wait for the device to cool down for about 12-20 minutes, depending on the amount of steam remaining inside.
4. Slowly unscrew the safety cap (1) and wait a few seconds for the remaining steam to escape.
5. Slowly fill the tank with water or a mixture of tap water and distilled water. Make sure you do not pour more than 400 ml. (350 ml recommended)
6. Close the safety cap (1) again.

NOTES:

The steam cleaner has an overheat protection system. It will automatically turn off if it overheats. Note that the device may break down if used too many times with an empty tank. Make sure there is enough water in the tank at all times during operation.

Description and use of accessories:

D. Flat brush

Insert the large nozzle into the notch of the flat brush (3C) and turn it clockwise until you hear a click (3C). It can clean flat surfaces such as windows, etc. After use, remove the flat brush by turning it counterclockwise.

For cleaning desks and chairs, bookcases or ironing clothes, place a white towel on the flat brush (3C).

E. Large nozzle

The large nozzle comes in handy when cleaning corners.

To attach, connect the wider end of the nozzle to the steam outlet so that the safety clip snaps into place. (3B)

F. Extension hose

If the surface you are trying to clean is difficult to access, use an extension hose.

To attach the wider end of the hose to the steam outlet, connect so that the safety clip snaps into place.

G, H. Nylon and stainless steel brush

Insert the large nozzle (E) into the notch of the round brush (3D) and turn it clockwise until you hear a click (3D). After use, remove the round brush by turning it counterclockwise.

K. Extension tube x 3

If the cleaning area is difficult to access or the device is used to clean floors or glass in high places, you can use it with an extension tube. The way it works is as follows: connect the tip of the extension tube to the steam outlet until the stationary lock is completely clipped into the extension tube opening (as in the case of the large 3B nozzle) and locked in place with a clicking sound means the assembly is complete. Note that using the extension tube will lower the temperature of the steam. Depending on the temperature of the tube, the steam coming out of the nozzle may vary.

I. Floor brush

Use a floor brush to clean the floor.

Connect two or three extension tubes (K) to the unit together. Attach the other end of the extension tubes to the floor brush. On the sides of the brush, press the buttons to open the attachment clamps, insert the floor towel (L) into the open clamps. After use, remove the towel and dry/wash before next use.

Cleaning:

1. Before cleaning, unplug the power plug from the outlet.
2. Allow the steam cleaner to cool before storing.
3. Wipe the steam cleaner and accessories with a damp cloth. Let all parts dry completely.

Storage:

All parts must be completely dry before storage.

- Always store the steam cleaner in a dry, clean and dust-free place.
- Store the steam cleaner under lock, place it so that the device is inaccessible to children.

Troubleshooting

Problem:

No steam is coming out of the nozzle

Cause: The plug is not inserted into the power outlet

Solution: Plug the device into an outlet

Cause: No water in the tank.

Solution: Pour water into the tank.

Cause: The steam button is not pressed.

Solution: Release the child access lock and press the steam button.

Problem:

Only the green light is on. The red light does not turn on.

Cause: light burned out.

Solution: consult the central service.

Problem:

The red light is always on, the green light does not turn on.

Cause: broken internal electrical parts or broken thermostat.

Solution: consult the central service.

Problem:

Flickering red light.

Cause: Lack of water or poor network connection.

Solution: Check that the device is properly connected and fully connected to the mains. Add water. If flickering still occurs, contact central service.

Problem:

Water flowing out of the nozzle.

Cause: Not used for a long time and steam in the nozzle/accessories condenses.

Solution: normal phenomenon. Press the steam release button for 2 seconds.

If the machine still spits out water from the nozzle too much water in the machine.

If non-carbonated water comes out of the nozzle after prolonged use, contact the central service.

Other problems:

Steam coming out of the machine from places other than the steam nozzle.

Plastic deformation or softening of plastic.

The safety cap (1) still cannot be opened after emptying the unit or releasing steam.

Solution: contact the central service.

Technical data:

Voltage: 220-240V~ 50/60 Hz

Capacity: 400 ml

Power: 1200W

Maximum power: 2000W



For the sake of the environment. Dispose of cardboard packaging and polyethylene (PE) bags in the appropriate containers for separate collection of municipal waste according to their description. If there are batteries in the device, remove them and separately return them to the collection and storage facility. Return the used device to a suitable collection and storage facility, as the hazardous substances in it may pose a threat to health and the environment. The marking on the product indicates that the device should not be disposed of in the container with municipal waste. Waste electrical equipment, is waste that contains substances harmful to humans, animals and the environment. These substances can lead to contamination of the soil, water or air, and through this they can enter the human body and lead to numerous health ailments, such as vision, hearing, speech disorders, they can also damage the kidneys, liver and heart, and cause skin diseases. Harmful substances can also have adverse effects on the respiratory and reproductive systems and lead to cancerous changes. Consumption of plants growing on the complained of soils, and products made from them may risk the above-mentioned health effects. **Do not dispose of the device in the municipal waste container!!!**



Service If you wish to purchase spare parts or report any complaints, please contact directly with the seller who issued the receipt.

Bedienungsanleitung (DE)

SICHERHEITSBEDINGUNGEN
WICHTIGE SICHERHEITSHINWEISE FÜR DEN GEBRAUCH
BITTE SORGFÄLTIG LESEN UND FÜR SPÄTERE VERWENDUNG
AUFBEWAHREN

Die Garantiebedingungen sind unterschiedlich, wenn das Gerät für gewerbliche Zwecke verwendet wird.

1. Bitte lesen Sie die folgenden Anweisungen sorgfältig durch und befolgen Sie sie stets, bevor Sie das Produkt verwenden. Der Hersteller haftet nicht für Schäden, die durch unsachgemäßen Gebrauch entstehen.

2. Das Produkt darf nur in Innenräumen verwendet werden. Verwenden Sie das Produkt nicht für Zwecke, die mit seiner Verwendung unvereinbar sind.

3. Die anwendbare Spannung beträgt 230V, ~50Hz. Aus Sicherheitsgründen dürfen nicht mehrere Geräte an eine einzige Steckdose angeschlossen werden.

4. Seien Sie vorsichtig bei der Verwendung durch Kinder. Erlauben Sie Kindern nicht, mit dem Gerät zu spielen. Erlauben Sie Kindern oder Personen, die mit dem Gerät nicht vertraut sind, es nicht unbeaufsichtigt zu benutzen.

5. **WARNUNG:** Dieses Gerät darf von Kindern über 8 Jahren und Personen mit eingeschränkten körperlichen, sensorischen oder geistigen Fähigkeiten oder Personen ohne Erfahrung oder Kenntnis des Geräts nur unter Aufsicht einer für ihre Sicherheit verantwortlichen Person benutzt werden oder wenn sie in den sicheren Gebrauch des Geräts eingewiesen wurden und sich der mit dem Betrieb verbundenen Gefahren bewusst sind. Kinder sollten nicht mit dem Gerät spielen. Die Reinigung und Wartung des Geräts sollte nicht von Kindern durchgeführt werden, es sei denn, sie sind mindestens 8 Jahre alt und diese Arbeiten werden unter Aufsicht durchgeführt.

6. Wenn Sie das Gerät nicht mehr benutzen, ziehen Sie immer vorsichtig den Stecker aus der Steckdose, indem Sie die Steckdose mit der Hand festhalten. Ziehen Sie niemals am Netzkabel!!!

7. Lassen Sie das Gerät niemals unbeaufsichtigt an eine Stromquelle angeschlossen. Schalten Sie das Gerät auch bei einer kurzen Unterbrechung vom Stromnetz ab und trennen Sie es von der Stromzufuhr.

8. Legen Sie niemals das Netzkabel, den Stecker oder das gesamte Gerät

ins Wasser. Setzen Sie das Gerät niemals Witterungseinflüssen wie direkter Sonneneinstrahlung, Regen usw. aus. Benutzen Sie das Gerät niemals in nasser Umgebung.

9. Überprüfen Sie regelmäßig den Zustand des Netzkabels. Wenn das Netzkabel beschädigt ist, bringen Sie das Gerät zum Austausch zu einem professionellen Servicecenter, um gefährliche Situationen zu vermeiden.

10. Verwenden Sie das Gerät niemals mit einem beschädigten Netzkabel, wenn es heruntergefallen oder anderweitig beschädigt ist oder wenn es nicht richtig funktioniert. Versuchen Sie nicht, ein defektes Produkt selbst zu reparieren, da dies zu einem Stromschlag führen kann. Bringen Sie das defekte Gerät immer zu einem professionellen Service-Center zur

Reparatur. Alle Reparaturen dürfen nur von autorisierten Servicetechnikern durchgeführt werden. Unsachgemäß durchgeführte Reparaturen können zu gefährlichen Situationen für den Benutzer führen.

11. Stellen Sie das Gerät niemals auf oder in die Nähe von heißen oder warmen Oberflächen oder Kochgeräten, wie z. B. einem Elektroofen oder Gasbrenner.

12. Verwenden Sie das Gerät niemals in der Nähe von brennbaren Materialien.

13. Achten Sie darauf, dass das Kabel nicht über den Rand der Arbeitsplatte hinausragt.

14. Wenn das Gerät überfüllt ist, kann kochendes Wasser herausspritzen.

15. Richten Sie den Dampfreiniger niemals auf sich selbst, andere Personen, Tiere oder elektrische Geräte wie z. B. Öfen.

16. Sie dürfen das Gerät nur mit Originalzubehör verwenden.

17. Blockieren Sie nicht die Öffnungen des Geräts und stecken Sie keine Gegenstände in die Öffnungen.

18. Kippen Sie das Gerät nicht mehr als 45 Grad. Das Gerät wurde für den Betrieb in aufrechter Position entwickelt.

19. Ziehen Sie den Netzstecker, bevor Sie Wasser in das Gerät gießen.

20. Geben Sie dem Wasser im Gerät keine Stoffe zu: Entkalker, Duftöle, Reinigungsmittel.

21. Vergewissern Sie sich, dass der Deckel des Wassertanks fest auf das

Gerät geschraubt ist.



WARNUNG: HEISSER DAMPF Es besteht Verbrühungsgefahr

Beschreibung des Geräts:

1. Sicherheitshahn 2. Einfüllöffnung 3. Verschlusskappe 4. Dampfauslass
5. Anzeigelampe 6. Kindersicherung 7. Dampfablass 8. Netzstecker

Zubehör: A. Trichter × 1 B. Messbecher × 1 C. Handtuch-Set × 1 D. Flachpinsel × 1 E. Große Düse × 1 F. Verlängerungsschlauch × 1 G. Nylonbürste × 1 H. Edelstahlbürste × 1 I. Bodenbürste × 1 J. Anschluss für Bodenbürste × 1 K. Verlängerungsschlauch × 3 L. Bodenbürstenhandtuch × 1

HINWEIS: - Prüfen Sie zunächst an einer unsichtbaren Stelle, ob das zu reinigende Material für die Dampfreinigung geeignet ist, z. B.:

Dampf kann das Ausbleichen von lackiertem Holz oder Leder verursachen.

Ungeschütztes Holz kann aufquellen.

Dampf kann Schutzschichten aus Wachs entfernen.

Kunststoffe können sich bei Dampfeinwirkung verfärben.

Weiche Kunststoffe können sich unter dem Einfluss von Dampf verformen.

Kaltes Glas oder spiegelnde Oberflächen können bei Einwirkung von heißem Dampf brechen.

- Füllen Sie den Dampfreiniger niemals mit anderen Flüssigkeiten als Wasser.
- Geben Sie den Dampfreiniger oder einzelne Teile auf keinen Fall in die Spülmaschine. Sie würden beschädigt werden.
- Verwenden Sie den Dampfreiniger nicht mehr, wenn seine Kunststoffteile Risse, Beschädigungen oder Verformungen aufweisen. Ersetzen Sie beschädigte Teile nur durch geeignete Original-Ersatzteile.
- Verwenden Sie den Dampfreiniger nicht mit leerem Tank. Wenn der Wassertank leer ist, ziehen Sie den Netzstecker, um eine Überhitzung zu vermeiden.
- Wenn Sie Fenster reinigen wollen, wärmen Sie diese zuerst auf, indem Sie z. B. eine größere Fläche aus größerem Abstand und dann aus geringerem Abstand bedampfen.
- Tragen Sie Handschuhe, Schutzbrille und Atemschutz, wenn Sie versuchen, Schadstoffe zu entfernen.

Vor dem ersten Gebrauch:

Entfernen Sie alle Verpackungsmaterialien und Aufkleber von dem Gerät. Reinigen Sie das Gerät mit einem sauberen und feuchten Tuch. Öffnen Sie das Gerät, indem Sie die Sicherheitsmutter (1) nach links drehen. Füllen Sie Wasser ein und gießen Sie das Wasser aus. Dadurch werden alle Rückstände und der werkseitige Schmutz im Inneren des Geräts entfernt. Fahren Sie dann mit dem normalen Betrieb fort.

Verwendung:

1. Stellen Sie den Dampfreiniger auf eine trockene und ebene Fläche und öffnen Sie den Sicherheitsstopfen (1). Drücken Sie dazu die Kappe fest nach unten und drehen Sie sie gegen den Uhrzeigersinn.
2. Verwenden Sie den Messbecher (B) und den Trichter (A), um das Gerät mit Wasser zu füllen. Das maximale Fassungsvermögen beträgt 400 ml. Wir empfehlen eine Füllmenge von 350 ml, um eine bessere Leistung und eine höhere Dampfproduktion zu erzielen. Wenn mehr als 350 ml im Tank sind, kann der Dampf in den ersten 2 Minuten etwas Wasser enthalten.

Besondere Hinweise:

Bitte verwenden Sie sauberes Wasser (kleine Feststoffpartikel können die Leitung verstopfen oder das Gerät ausfallen lassen) Wenn das Leitungswasser in Ihrer Region hart oder sehr hart ist, empfehlen wir Ihnen, eine Mischung aus Leitungswasser und destilliertem Wasser zu verwenden.

Bitte gießen Sie nicht weniger als 150 ml Wasser ein.

3. Verschließen Sie den Deckel durch Drehen im Uhrzeigersinn.

4. Stecken Sie den Netzstecker in eine Steckdose. Ein rotes Licht leuchtet auf, um die Erwärmung anzuzeigen.

5. Wenn das grüne Licht aufleuchtet, ist das Gerät einsatzbereit. Bitte beachten Sie, dass das rote Licht während des Betriebs ein- und ausgeschaltet wird. Bitte verwenden Sie das Gerät nur, wenn das grüne Licht leuchtet. Andernfalls tropft und spritzt heißes Wasser aus dem Gerät.
6. Drehen Sie die Kindersicherung (6) auf die Position "Ein". Drücken Sie dann den Dampfabzug (7). Der Dampf beginnt aus dem Gerät auszutreten. Denken Sie daran, den Dampfabzug (7) immer zu drücken. Wenn Sie den Dampfabzug (7) loslassen, kehrt die Kindersicherung (6) in die Aus-Stellung zurück.

Wenn Sie Ihre Arbeit beendet haben oder der Wassertank geleert wurde:

Nach dem Betrieb:

1. Trennen Sie das Gerät vom Stromnetz.
2. Drücken Sie den Dampfabzug (7) und halten Sie ihn gedrückt, bis kein Dampf mehr austritt.
3. Lassen Sie das Gerät ca. 12-20 Minuten lang abkühlen, je nachdem, wie viel Dampf im Inneren noch vorhanden ist.
4. Schrauben Sie die Sicherheitskappe (1) langsam ab und warten Sie einige Minuten, damit die Feuchtigkeit aus dem Gerät entweichen kann.

Wenn sich kein Wasser mehr im Tank befindet, stellt das Gerät die Dampfproduktion ein. Das Wasser muss nachgefüllt werden.

Gehen Sie dazu wie unten beschrieben vor:

Füllen Sie den Tank wieder auf:

1. Trennen Sie das Gerät vom Stromnetz.
2. Drücken Sie den Dampfabzug (7) und halten Sie ihn gedrückt, bis kein Dampf mehr erzeugt wird.
3. Lassen Sie das Gerät ca. 12-20 Minuten lang abkühlen, je nachdem, wie viel Dampf im Inneren noch vorhanden ist.
4. Schrauben Sie die Sicherheitskappe (1) langsam ab und warten Sie einige Sekunden, bis der Restdampf entweicht.
5. Füllen Sie den Tank langsam mit Wasser oder einem Gemisch aus Leitungswasser und destilliertem Wasser. Achten Sie darauf, dass Sie nicht mehr als 400 ml einfüllen. (350 ml empfohlen)
6. Schließen Sie die Sicherheitskappe wieder (1).

HINWEIS:

Der Dampfreiniger ist mit einem Überhitzungsschutzsystem ausgestattet. Er schaltet sich bei Überhitzung automatisch ab. Bitte beachten Sie, dass das Gerät kaputt gehen kann, wenn es zu oft mit leerem Tank benutzt wird. Achten Sie darauf, dass sich während des Betriebs immer genügend Wasser im Tank befindet.

Beschreibung und Verwendung des Zubehörs:

D. Flachpinsel

Stecken Sie die große Düse in die Kerbe der Flachbürste (3C) und drehen Sie sie im Uhrzeigersinn, bis Sie ein Klicken hören (3C). Damit können Sie flache Oberflächen wie Fenster usw. reinigen. Nach dem Gebrauch entfernen Sie die Flachbürste, indem Sie sie gegen den Uhrzeigersinn drehen.

Für die Reinigung von Tischen und Stühlen, Bücherregalen oder Bügelwäsche legen Sie ein weißes Handtuch über die Flachbürste (3C).

E. Große Düse

Die große Düse ist sehr praktisch für die Reinigung von Ecken.

Zum Anbringen schließen Sie das breitere Ende der Düse an den Dampfauslass an, so dass der Sicherheitsclip einrastet. (3B)

F. Verlängerungsschlauch

Wenn die zu reinigende Fläche schwer zugänglich ist, verwenden Sie einen Verlängerungsschlauch.

Schließen Sie das breitere Ende des Schlauchs so an den Dampfauslass an, dass der Sicherheitsclip einrastet.

G, H. Bürste aus Nylon und rostfreiem Stahl

Stecken Sie die große Düse (E) in die Aussparung der Rundbürste (3D) und drehen Sie sie im Uhrzeigersinn, bis Sie ein Klicken hören (3D). Entfernen Sie die Rundbürste nach Gebrauch, indem Sie sie gegen den Uhrzeigersinn drehen.

K. Verlängerungsrohr x 3

Wenn der zu reinigende Bereich schwer zugänglich ist oder das Gerät zur Reinigung von Böden oder Glas an hoch gelegenen Stellen verwendet wird, kann es mit dem Verlängerungsrohr verwendet werden. Die Funktionsweise ist wie folgt: Stecken Sie das Ende des Verlängerungsrohrs in den Dampfauslass, bis die feste Verriegelung vollständig in die Öffnung des Verlängerungsrohrs eingerastet ist (wie bei der großen Düse 3B) und mit einem Klickgeräusch einrastet, um anzuzeigen, dass die Montage abgeschlossen ist. Bitte beachten Sie, dass durch die Verwendung des Verlängerungsrohrs die Temperatur des Dampfes reduziert wird. Je nach der Temperatur des Rohrs kann der aus der Düse austretende Dampf variieren.

I. Bodenbürste

Verwenden Sie eine Bodenbürste, um den Boden zu reinigen.

Verbinden Sie zwei oder drei Verlängerungsrohre (K) mit dem Gerät. Befestigen Sie das andere Ende der Verlängerungsrohre an der Bodenbürste. Drücken Sie die Knöpfe an den Seiten der Bürste, um die Befestigungsklemmen zu öffnen, und führen Sie das

Bodentuch (L) in die offenen Klemmen ein. Entfernen Sie das Handtuch nach dem Gebrauch und trocknen/waschen Sie es vor dem nächsten Gebrauch.

Reinigen:

1. Ziehen Sie vor der Reinigung den Netzstecker aus der Steckdose.
2. Lassen Sie den Dampfreiniger vor der Lagerung abkühlen.
3. Wischen Sie den Dampfreiniger und das Zubehör mit einem feuchten Tuch ab. Lassen Sie alle Teile vollständig trocknen.

Lagerung:

Alle Teile müssen vor der Lagerung vollständig trocken sein.

- Lagern Sie den Dampfreiniger immer an einem trockenen, sauberen und staubfreien Ort.
- Bewahren Sie den Dampfreiniger unter Verschluss auf, stellen Sie ihn so auf, dass das Gerät für Kinder unzugänglich ist.

Fehlersuche

Problem:

Es kommt kein Dampf aus der Düse

Ursache: Der Stecker ist nicht in der Steckdose eingesteckt

Lösung: Schließen Sie das Gerät an eine Steckdose an

Ursache: Es ist kein Wasser im Tank.

Lösung: Gießen Sie Wasser in den Tank.

Ursache: Die Dampftaste ist nicht gedrückt.

Lösung: Lösen Sie die Kindersicherung und drücken Sie die Dampftaste.

Problem:

Nur das grüne Licht ist an. Das rote Licht leuchtet nicht.

Ursache: Die Lampe ist durchgebrannt.

Lösung: Wenden Sie sich an den zentralen Kundendienst.

Problem:

Rotes Licht immer an, grünes Licht leuchtet nicht.

Ursache: Defekte elektrische Innenteile oder defekter Thermostat.

Lösung: Wenden Sie sich an die zentrale Kundendienststelle.

Problem:

Flackerndes rotes Licht.

Ursache: Wassermangel oder schlechte Netzverbindung.

Lösung: Prüfen Sie, ob das Gerät richtig angeschlossen und vollständig mit dem Stromnetz verbunden ist. Füllen Sie Wasser nach.

Wenn das Flackern weiterhin auftritt, wenden Sie sich an den zentralen Kundendienst.

Problem:

Wasser tritt aus der Düse aus.

Ursache: Lange Zeit nicht benutzt und Dampf in Düse/Zubehör kondensiert.

Lösung: Normales Phänomen. Drücken Sie die Dampffreigabetaste für 2 Sekunden.

Wenn das Gerät immer noch Wasser aus der Düse spuckt, ist zu viel Wasser im Gerät.

Wenn nach längerem Gebrauch kohlenstofffreies Wasser aus der Düse kommt, wenden Sie sich an den zentralen Kundendienst.

Andere Probleme:

Dampf, der aus dem Gerät an anderen Stellen als der Dampf Düse austritt.

Kunststoffverformung oder Erweichung des Kunststoffs.

Nach dem Entleeren des Geräts oder dem Ablassen von Dampf lässt sich die Sicherheitskappe (1) immer noch nicht öffnen.

Lösung: Wenden Sie sich an den zentralen Kundendienst.

Technische Daten:

Spannung: 220-240V~ 50/60 Hz

Fassungsvermögen: 400 ml

Leistung: 1200W

Maximale Leistung: 2000W



Der Umwelt zuliebe. Pappverpackungen und Polyethylen (PE)-Beutel müssen in den entsprechenden Behältern für die getrennte Sammlung von Siedlungsabfällen entsprechend ihrer Beschreibung entsorgt werden. Wenn das Gerät Batterien enthält, müssen diese entfernt und separat in einer Sammel- und Lagereinrichtung entsorgt werden. Das Allgerät muss zu einer geeigneten Sammel- und Lagerstelle gebracht werden, da die darin enthaltenen gefährlichen Stoffe eine Gefahr für die Gesundheit und die Umwelt darstellen können. Die Kennzeichnung auf dem Produkt weist darauf hin, dass das Gerät nicht über die Hausmülltonne entsorgt werden darf. Elektroaltgeräte sind Abfälle, die Stoffe enthalten, die für Menschen, Tiere und die Umwelt schädlich sind. Diese Stoffe können den Boden, das Wasser oder die Luft verunreinigen und dadurch in den menschlichen Körper gelangen und zu einer Reihe von Gesundheitsproblemen führen, wie z. B. Seh-, Hör- und Sprachstörungen, aber auch Nieren-, Leber- und Herzschäden sowie Hautkrankheiten verursachen. Die Schadstoffe können sich auch negativ auf die Atemwege und das Fortpflanzungssystem auswirken und zu krebsartigen Veränderungen führen. Der Verzehr von Pflanzen, die auf den betroffenen Böden wachsen, und von Produkten, die daraus hergestellt werden, kann zu den oben genannten gesundheitlichen Auswirkungen führen. **Entsorgen Sie das Gerät nicht über die Hausmülltonne!**
Kundendienst Wenn Sie Ersatzteile kaufen möchten oder Beschwerden haben, wenden Sie sich bitte direkt an den Händler, der die Quittung ausgestellt hat.

Mode d'emploi (FR)

CONDITIONS DE SÉCURITÉ INSTRUCTIONS DE SÉCURITÉ IMPORTANTES POUR L'UTILISATION LIRE ATTENTIVEMENT ET CONSERVER POUR RÉFÉRENCE ULTÉRIEURE

Les conditions de garantie sont différentes si l'appareil est utilisé à des fins commerciales.

1. Veuillez lire attentivement les instructions suivantes et toujours les suivre avant d'utiliser le produit. Le fabricant n'est pas responsable des dommages causés par une mauvaise utilisation.
2. Le produit ne peut être utilisé qu'à l'intérieur. Ne pas utiliser le produit à des fins incompatibles avec son utilisation.
3. La tension applicable est de 230V, ~50Hz. Pour des raisons de sécurité, ne pas brancher plusieurs appareils sur une même prise électrique.
4. Soyez prudent lorsque vous utilisez le produit avec des enfants. Ne laissez pas les enfants jouer avec le produit. Ne laissez pas les enfants ou toute personne ne connaissant pas l'appareil l'utiliser sans surveillance.
5. **AVERTISSEMENT** : Cet appareil ne peut être utilisé par des enfants de plus de 8 ans et des personnes ayant des capacités physiques, sensorielles ou mentales limitées, ou des personnes sans expérience ou connaissance de l'appareil, que sous la surveillance d'une personne responsable de leur sécurité ou si elles ont reçu des instructions sur l'utilisation sûre de l'appareil et sont conscientes des dangers liés à son fonctionnement. Les enfants ne doivent pas jouer avec l'appareil. Le

nettoyage et l'entretien de l'appareil ne doivent pas être effectués par des enfants, sauf s'ils sont âgés d'au moins 8 ans et que ces opérations sont effectuées sous surveillance.

6. Lorsque vous avez fini d'utiliser l'appareil, n'oubliez pas de retirer délicatement la fiche de la prise en la tenant avec la main. Ne tirez jamais sur le cordon d'alimentation !

7. Ne laissez jamais le produit branché sur une source d'alimentation sans surveillance. Même si l'utilisation est interrompue pendant un court laps de temps, éteignez l'appareil, débranchez l'alimentation électrique.

8. Ne mettez jamais le cordon d'alimentation, la fiche ou l'ensemble de l'appareil dans l'eau. N'exposez jamais l'appareil à des conditions météorologiques telles que la lumière directe du soleil, la pluie, etc. Ne jamais utiliser l'appareil dans des conditions humides.

9. Vérifiez régulièrement l'état du cordon d'alimentation. Si le cordon d'alimentation est endommagé, confiez l'appareil à un centre de service professionnel pour qu'il soit remplacé afin d'éviter toute situation dangereuse.

10. N'utilisez jamais l'appareil si le cordon d'alimentation est endommagé, s'il est tombé ou a été endommagé, ou s'il ne fonctionne pas correctement. N'essayez pas de réparer vous-même un produit défectueux, car vous risqueriez de vous électrocuter. Renvoyez toujours un appareil défectueux à un centre de service professionnel pour qu'il soit réparé. Les réparations ne doivent être effectuées que par des techniciens agréés. Des réparations mal effectuées peuvent entraîner des situations dangereuses pour l'utilisateur.

11. Ne placez jamais l'appareil sur ou à proximité de surfaces chaudes ou chaudes ou d'appareils de cuisson tels qu'un four électrique ou un brûleur à gaz.

12. Ne jamais utiliser le produit à proximité de matériaux combustibles.

13. Ne laissez pas le cordon pendre du bord du plan de travail.

14. Si l'appareil est trop rempli, de l'eau bouillante peut être projetée.

15. Ne dirigez jamais le nettoyeur vapeur vers vous, vers d'autres personnes, vers des animaux ou vers des appareils électriques tels que

les fours.

16. L'appareil ne doit être utilisé qu'avec des accessoires d'origine.

17. Ne bloquez pas les ouvertures de l'appareil et n'introduisez pas d'objets dans les ouvertures.

18. N'inclinez pas l'appareil à plus de 45 degrés. L'appareil a été conçu pour fonctionner en position verticale.

19. Débranchez l'appareil avant d'y verser de l'eau.

20. Ne pas ajouter de substances à l'eau utilisée dans l'appareil : détartrants, huiles aromatiques, produits de nettoyage.

21. Veillez à ce que le couvercle du réservoir d'eau soit bien vissé sur l'appareil.



AVERTISSEMENT : VAPEUR CHAUDE Risque de brûlure

Description de l'appareil :

1. Robinet de sécurité 2. Ouverture de remplissage 3. Capuchon de verrouillage 4. Sortie de vapeur
5. Voyant lumineux 6. Sécurité enfants 7. Déblocage de la vapeur 8. Fiche d'alimentation

Accessoires : A. Entonnoir × 1 B. Gobelet de mesure × 1 C. Ensemble de serviettes × 1 D. Brosse plate × 1 E. Grand embout × 1 F. Tuyau de rallonge × 1 G. Brosse en nylon × 1 H. Brosse en acier inoxydable × 1 I. Brosse à plancher × 1 J. Connecteur pour brosse à plancher × 1 K. Tube de rallonge × 3 L. Serviette pour brosse à sol × 1

REMARQUE : - Vérifiez d'abord dans un endroit non visible si le matériau que vous avez l'intention de nettoyer convient au nettoyage à la vapeur, par exemple :

La vapeur peut décolorer le bois verni ou le cuir.

Le bois non protégé peut gonfler.

La vapeur peut enlever les couches de cire protectrices.

Les plastiques peuvent se colorer lorsqu'ils sont exposés à la vapeur.

Les plastiques souples peuvent se déformer sous l'influence de la vapeur.

Les surfaces froides en verre ou en miroir peuvent se fissurer lorsqu'elles sont exposées à la vapeur chaude.

- Ne remplissez jamais le nettoyeur vapeur avec des liquides autres que de l'eau.

- Ne mettez en aucun cas le nettoyeur vapeur ou les pièces détachées dans le lave-vaisselle. Ils seraient endommagés.

- Cessez d'utiliser le nettoyeur vapeur si ses pièces en plastique présentent des fissures, des dommages ou sont déformées.

Remplacez les pièces endommagées uniquement par des pièces de rechange d'origine appropriées.

- N'utilisez pas le nettoyeur vapeur lorsque le réservoir est vide. Lorsque le réservoir d'eau est vide, débranchez la fiche secteur afin d'éviter toute surchauffe.

- Si vous souhaitez nettoyer des vitres, réchauffez-les d'abord, par exemple en appliquant la vapeur sur une plus grande surface à une plus grande distance, puis à une distance plus rapprochée.

- Portez des gants, des lunettes de protection et une protection respiratoire lorsque vous tentez d'éliminer des substances nocives.

Avant la première utilisation :

Retirez tous les matériaux d'emballage et les autocollants de l'appareil. Nettoyez l'appareil avec un chiffon propre et humide.

Ouvrez l'appareil en tournant l'écrou de sécurité (1) vers la gauche. Remplissez l'appareil d'eau et videz-le. Cette opération permet d'éliminer les résidus et les saletés d'usine à l'intérieur de l'appareil. Poursuivez ensuite le fonctionnement normal de l'appareil.

Utilisation :

1. Placez le nettoyeur vapeur sur une surface sèche et plane et ouvrez le bouchon de sécurité (1). Pour ce faire, appuyez fermement sur le bouchon et tournez-le dans le sens inverse des aiguilles d'une montre.
2. Remplissez l'appareil d'eau à l'aide du gobelet gradué (B) et de l'entonnoir (A). La capacité maximale est de 400 ml. Nous vous conseillons de remplir l'appareil jusqu'à 350 ml pour une meilleure performance et une plus grande production de vapeur. Si le réservoir contient plus de 350 ml, la vapeur peut contenir un peu d'eau pendant les deux premières minutes d'utilisation.

Remarques particulières :

Veillez utiliser de l'eau propre (de petites particules solides peuvent bloquer le tuyau ou provoquer une panne de l'appareil)

Si l'eau du robinet de votre région est dure ou très dure, nous vous conseillons d'utiliser un mélange d'eau du robinet et d'eau distillée.

Ne versez pas moins de 150 ml d'eau.

3. Fermez le bouchon en le tournant dans le sens des aiguilles d'une montre.

4. Insérez la fiche d'alimentation dans une prise électrique. Un voyant rouge s'allume pour indiquer que l'appareil est en train de chauffer.

5. Lorsque le voyant vert s'allume, l'appareil est prêt à fonctionner. Veuillez noter que le voyant rouge s'allume et s'éteint pendant le fonctionnement de l'appareil. N'utilisez l'appareil que lorsque le voyant vert est allumé. Dans le cas contraire, de l'eau chaude s'écoulera de l'appareil sous forme de gouttes et d'éclaboussures.

6. Mettez la sécurité enfant (6) en position de marche. Appuyez ensuite sur la gâchette vapeur (7). De la vapeur commence à sortir de l'appareil. N'oubliez pas de toujours appuyer sur la gâchette vapeur (7). Lorsque vous relâchez la gâchette vapeur (7), la sécurité enfant (6) revient en position d'arrêt.

Lorsque vous avez terminé votre travail ou lorsque le réservoir d'eau a été vidé :

Après l'utilisation :

1. Débranchez l'appareil du réseau électrique.
 2. Appuyez sur la gâchette vapeur (7) et maintenez-la enfoncée jusqu'à ce que la vapeur ne soit plus produite.
 3. Laissez l'appareil refroidir pendant environ 12 à 20 minutes, en fonction de la quantité de vapeur restante à l'intérieur.
 4. Dévissez lentement le bouchon de sécurité (1) et attendez quelques minutes pour que l'humidité s'échappe de l'appareil.
- S'il n'y a plus d'eau dans le réservoir, l'appareil cesse de produire de la vapeur. Il faut faire l'appoint d'eau. Pour ce faire, suivez les étapes ci-dessous :

Remplir le réservoir :

1. Débrancher l'appareil du réseau électrique.
2. Appuyez sur la gâchette vapeur (7) et maintenez-la enfoncée jusqu'à ce que la vapeur cesse de se produire.
3. Laissez l'appareil refroidir pendant environ 12 à 20 minutes, en fonction de la quantité de vapeur restante à l'intérieur.
4. Dévissez lentement le bouchon de sécurité (1) et attendez quelques secondes pour que la vapeur restante s'échappe.
5. Remplissez lentement le réservoir avec de l'eau ou un mélange d'eau du robinet et d'eau distillée. Veillez à ne pas verser plus de 400 ml. (350 ml recommandés)
6. Refermez le bouchon de sécurité (1).

REMARQUE :

Le nettoyeur à vapeur est doté d'un système de protection contre la surchauffe. Il s'éteint automatiquement en cas de surchauffe.

Veillez noter que l'appareil peut tomber en panne s'il est utilisé trop souvent avec un réservoir vide. Veillez à ce qu'il y ait toujours suffisamment d'eau dans le réservoir pendant le fonctionnement de l'appareil.

Description et utilisation des accessoires :

D. Brosse plate

Insérez la grande buse dans l'encoche de la brosse plate (3C) et tournez-la dans le sens des aiguilles d'une montre jusqu'à ce que vous entendiez un dé clic (3C). Permet de nettoyer les surfaces planes telles que les fenêtres, etc. Après utilisation, retirez la brosse plate en la tournant dans le sens inverse des aiguilles d'une montre.

Pour nettoyer les bureaux et les chaises, les bibliothèques ou les vêtements à repasser, placez une serviette blanche sur la brosse plate (3C).

E. Grand suceur

Le grand suceur est très pratique pour nettoyer les coins.

Pour la fixer, connectez l'extrémité la plus large de la buse à la sortie vapeur de manière à ce que le clip de sécurité s'enclenche.

(3B)

F. Tuyau de rallonge

Si la surface à nettoyer est difficile d'accès, utilisez une rallonge.

Pour fixer l'extrémité la plus large du tuyau à la sortie vapeur, branchez-la de manière à ce que le clip de sécurité s'enclenche.

G, H. Brosse en nylon et acier inoxydable

Insérez la grande buse (E) dans l'encoche de la brosse ronde (3D) et tournez-la dans le sens des aiguilles d'une montre jusqu'à ce que vous entendiez un dé clic (3D). Après utilisation, retirez la brosse ronde en la tournant dans le sens inverse des aiguilles d'une montre.

K. Tube de rallonge x 3

Si la zone de nettoyage est difficile d'accès ou si l'appareil est utilisé pour nettoyer des sols ou des vitres en hauteur, il peut être utilisé avec le tube de rallonge. Le fonctionnement est le suivant : raccordez l'extrémité du tube de rallonge à la sortie de vapeur jusqu'à ce que le verrou fixe soit entièrement clipsé dans l'ouverture du tube de rallonge (comme pour la grande buse 3B) et verrouillé en place avec un dé clic signifiant que l'assemblage est terminé. Veuillez noter que l'utilisation du tube d'extension réduit la température de la vapeur. En fonction de la température du tube, la vapeur sortant de la buse peut varier.

I. Brosse à plancher

Utilisez une brosse pour nettoyer le sol.

Raccordez deux ou trois tubes de rallonge (K) à l'appareil. Fixez l'autre extrémité des tubes de rallonge à la brosse à parquet.

Appuyez sur les boutons situés sur les côtés de la brosse pour ouvrir les pinces de fixation, insérez la serpillière (L) dans les pinces ouvertes. Retirez la serviette après utilisation et la sécher/la laver avant la prochaine utilisation.

Nettoyage :

1. Débranchez la fiche de la prise de courant avant de procéder au nettoyage.
2. Laissez le nettoyeur vapeur refroidir avant de le ranger.
3. Essuyez le nettoyeur vapeur et les accessoires avec un chiffon humide. Laissez toutes les pièces sécher complètement.

Stockage :

Toutes les pièces doivent être complètement sèches avant d'être stockées.

- Le nettoyeur à vapeur doit toujours être stocké dans un endroit sec, propre et exempt de poussière.

- Rangez le nettoyeur vapeur sous clé, placez-le de manière à ce que l'appareil soit inaccessible aux enfants.

Dépannage

Problème :

Aucune vapeur ne sort de la buse

Cause : La fiche n'est pas insérée dans la prise de courant

Solution : Branchez l'appareil dans une prise de courant

Cause : Il n'y a pas d'eau dans le réservoir.

Solution : Versez de l'eau dans le réservoir.

Cause : Le bouton vapeur n'est pas enfoncé.

Solution : Relâchez le verrou d'accès pour enfants et appuyez sur le bouton vapeur.

Problème : Le bouton vapeur n'est pas enfoncé :

Seul le voyant vert est allumé. Le voyant rouge ne s'allume pas.

Cause : La lumière a brûlé.

Solution : Consulter le service central.

Problème : La lumière a brûlé :

Le voyant rouge est toujours allumé, le voyant vert ne s'allume pas.

Cause : Pièces électriques internes cassées ou thermostat défectueux.

Solution : Consulter le service central.

Problème :

Lumière rouge clignotante.

Cause : Manque d'eau ou mauvaise connexion au réseau.

Solution : Vérifiez que l'appareil est correctement et entièrement raccordé au réseau électrique. Ajoutez de l'eau. Si le clignotement persiste, contactez le service central.

Problème :

De l'eau sort de la buse.

Cause : L'appareil n'a pas été utilisé pendant une longue période et la vapeur se condense dans la buse et les accessoires.

Solution : Phénomène normal. Appuyez sur le bouton d'évacuation de la vapeur pendant 2 secondes.

Si l'appareil continue à cracher de l'eau par la buse, il y a trop d'eau dans l'appareil.

Si de l'eau non gazeuse sort de la buse après une utilisation prolongée, contactez le service central.

Autres problèmes :

De la vapeur sort de l'appareil par d'autres endroits que la buse vapeur.

Déformation ou ramollissement du plastique.

Après avoir vidé l'appareil ou libéré de la vapeur, le bouchon de sécurité (1) ne peut toujours pas être ouvert.

Solution : Contacter le service central.

Données techniques :

Tension : 220-240V~ 50/60 Hz

Capacité : 400 ml

Puissance : 1200W

Puissance maximale : 2000W



Pour le bien de l'environnement. Les emballages en carton et les sacs en polyéthylène (PE) doivent être jetés dans les conteneurs appropriés pour la collecte sélective des déchets municipaux, conformément à leur description. Si l'appareil contient des piles, celles-ci doivent être retirées et éliminées séparément dans un centre de collecte et de stockage. L'appareil usagé doit être déposé dans un centre de collecte et de stockage approprié, car les substances dangereuses qu'il contient peuvent présenter un risque pour la santé et l'environnement. Le marquage sur le produit indique que l'appareil ne doit pas être jeté dans la poubelle municipale. Les déchets d'équipements électriques sont des déchets qui contiennent des substances nocives pour l'homme, les animaux et l'environnement. Ces substances peuvent contaminer le sol, l'eau ou l'air et, par ce biais, pénétrer dans le corps humain et entraîner un certain nombre de problèmes de santé, tels que des troubles de la vision, de l'audition et de l'élocution, ainsi que des lésions des reins, du foie et du cœur, et des maladies de la peau. Les substances nocives peuvent également avoir des effets néfastes sur les systèmes respiratoire et reproductif et entraîner des changements cancéreux. La consommation de plantes poussant sur les sols affectés et de produits fabriqués à partir de ces sols peut entraîner les effets susmentionnés sur la santé. **Ne pas jeter l'appareil dans la poubelle municipale !**



Service après-vente Si vous souhaitez acheter des pièces de rechange ou si vous avez des réclamations à formuler, veuillez vous adresser directement au revendeur qui vous a délivré le ticket de caisse s'adresser directement au revendeur qui a délivré le ticket de caisse.

Manual de usuario (ES)

CONDICIONES DE SEGURIDAD

INSTRUCCIONES DE USO IMPORTANTES

LEA ATENTAMENTE Y CONSÉRVELAS PARA FUTURAS CONSULTAS

Las condiciones de garantía son diferentes si el aparato se utiliza con fines comerciales.

1. Lea atentamente las siguientes instrucciones y sígalas siempre antes de utilizar el producto. El fabricante no se hace responsable de los daños causados por un uso indebido.
2. El producto sólo puede utilizarse en interiores. No utilice el producto para fines incompatibles con su uso.
3. El voltaje aplicable es de 230V, ~50Hz. Por razones de seguridad, no conecte varios dispositivos a una misma toma de corriente.
4. Tenga cuidado cuando lo utilice con niños. No permita que los niños

jueguen con el producto. No permita que niños o personas no familiarizadas con el aparato lo utilicen sin supervisión.

5. ADVERTENCIA: Este aparato sólo puede ser utilizado por niños mayores de 8 años y personas con capacidades físicas, sensoriales o mentales limitadas, o personas sin experiencia o conocimiento del aparato, bajo la supervisión de una persona responsable de su seguridad o si han recibido instrucciones sobre el uso seguro del aparato y son conscientes de los peligros asociados a su funcionamiento. Los niños no deben jugar con el aparato. La limpieza y el mantenimiento del aparato no deben ser realizados por niños, a menos que tengan al menos 8 años y estas operaciones se lleven a cabo bajo supervisión.

6. Cuando haya terminado de utilizar el producto, recuerde siempre desenchufar suavemente la clavija de la toma de corriente sujetándola con la mano. ¡¡¡Nunca tire del cable de alimentación!!!

7. No deje nunca el producto conectado a una fuente de alimentación sin vigilancia. Incluso si se interrumpe su uso durante un breve espacio de tiempo, apáguelo de la red y desconecte la fuente de alimentación.

8. No sumerja nunca el cable de alimentación, el enchufe ni el aparato en agua. No exponga nunca el producto a las inclemencias del tiempo, como la luz solar directa, la lluvia, etc. Nunca utilice el producto en condiciones de humedad.

9. Compruebe periódicamente el estado del cable de alimentación. Si el cable de alimentación está dañado, llévelo a un centro de servicio profesional para que lo sustituyan y evitar situaciones de peligro.

10. No utilice nunca el producto con el cable de alimentación dañado o si se ha caído o dañado de cualquier otra forma, o si no funciona correctamente. No intente reparar usted mismo un producto defectuoso, ya que podría sufrir una descarga eléctrica. Envíe siempre la unidad defectuosa a un centro de servicio profesional para su reparación. Las reparaciones sólo deben ser realizadas por personal técnico autorizado. Las reparaciones realizadas incorrectamente pueden dar lugar a situaciones peligrosas para el usuario.

11. No coloque nunca el producto sobre o cerca de superficies calientes o

aparatos de cocina, como un horno eléctrico o un quemador de gas.

12. Nunca utilice el producto cerca de materiales combustibles.
13. No deje que el cable cuelgue del borde de la encimera.
14. Si el aparato se llena en exceso, puede salir agua hirviendo.
15. No dirija nunca el limpiador de vapor hacia usted, otras personas, animales o aparatos eléctricos, como hornos.
16. Sólo puede utilizar el aparato con accesorios originales.
17. No bloquee las aberturas del aparato ni introduzca objetos en ellas.
18. No incline el aparato más de 45 grados. El aparato ha sido diseñado para funcionar en posición vertical.
19. Desenchufe la máquina antes de verter agua en ella.
20. No añada ninguna sustancia al agua utilizada en el aparato: descalcificantes, aceites aromáticos, productos de limpieza.
21. Asegúrese de que la tapa del depósito de agua esté bien enroscada en el aparato.



ADVERTENCIA: VAPOR CALIENTE Peligro de quemaduras

Descripción del aparato:

1. Grifo de seguridad
2. Apertura de llenado
3. Tapón de cierre
4. Salida de vapor
5. Indicador luminoso
6. Bloqueo para niños
7. Salida de vapor
8. Enchufe

Accesorios: A. Embudo × 1 B. Vaso medidor × 1 C. Juego de toallas × 1 D. Cepillo plano × 1 E. Boquilla grande × 1 F. Manguera de extensión × 1 G. Cepillo de nailon × 1 H. Cepillo de acero inoxidable × 1 I. Cepillo para suelos × 1 J. Conector para cepillo de suelo × 1 K. Tubo de extensión × 3 L. Toalla para cepillo de suelo × 1

NOTA: - Compruebe primero en una zona no visible que el material que pretende limpiar es adecuado para la limpieza a vapor, como por ejemplo:

El vapor puede decolorar la madera barnizada o el cuero.

La madera desprotegida puede hincharse.

El vapor puede eliminar las capas protectoras de cera.

Los plásticos pueden colorearse cuando se exponen al vapor.

Los plásticos blandos pueden deformarse bajo la influencia del vapor.

El vidrio frío o las superficies espejadas pueden agrietarse si se exponen al vapor caliente.

- No llene nunca el limpiador de vapor con líquidos que no sean agua.

- No introduzca en ningún caso el limpiador de vapor ni las piezas sueltas en el lavavajillas. Se dañarían.

- Deje de utilizar el limpiador de vapor si sus piezas de plástico presentan grietas, daños o están deformadas. Sustituya las piezas dañadas únicamente por piezas de repuesto originales adecuadas.

- No utilice el limpiador de vapor con el depósito vacío. Cuando el depósito de agua esté vacío, desenchúfelo de la toma de corriente para evitar un sobrecalentamiento.
- Cuando desee limpiar cristales, caliéntelos primero, por ejemplo, aplicando vapor a una zona más amplia desde una distancia mayor y luego desde una distancia menor.
- Utilice guantes, gafas de seguridad y protección respiratoria cuando intente eliminar sustancias nocivas.

Antes del primer uso:

Retire todos los materiales de embalaje y pegatinas de la unidad. Limpie el aparato con un paño limpio y húmedo. Abra el aparato girando la tuerca de seguridad (1) hacia la izquierda. Llene con agua y vierta el agua. Esto eliminará cualquier residuo y suciedad de fábrica del interior del aparato. A continuación, continúe con el funcionamiento normal.

Utilización:

1. Coloque el limpiador de vapor sobre una superficie seca y plana y abra el tapón de seguridad (1). Para ello, presione firmemente el tapón hacia abajo y gírelo en el sentido contrario a las agujas del reloj.
2. Utilice el vaso medidor (B) y el embudo (A) para llenar el aparato con agua. La capacidad máxima es de 400 ml. Sugerimos llenar hasta 350 ml para un mejor rendimiento y una mayor producción de vapor. Si hay más de 350 ml en el depósito, el vapor puede contener algo de agua durante los 2 primeros minutos de uso.

Notas especiales:

Utilice agua limpia (las pequeñas partículas sólidas pueden obstruir el tubo o provocar fallos en la máquina)

Si el agua del grifo de su zona es dura o muy dura, le sugerimos que utilice una mezcla de agua del grifo y agua destilada.

No vierta menos de 150 ml de agua.

3. Cierre el tapón girándolo en el sentido de las agujas del reloj.
4. Inserte el enchufe en una toma de corriente. Se encenderá una luz roja para indicar que se está calentando.
5. Cuando se encienda la luz verde, el aparato estará listo para su uso. Tenga en cuenta que la luz roja se encenderá y apagará durante el funcionamiento. Utilícelo sólo cuando la luz verde esté encendida. De lo contrario, goteará y salpicará agua caliente del aparato.
6. Gire el seguro para niños (6) a la posición de encendido. A continuación, pulse el botón de vapor (7). Comenzará a salir vapor del aparato. Recuerde pulsar siempre el gatillo de vapor (7), cuando suelte el gatillo de vapor (7) el seguro para niños (6) volverá a la posición de apagado.

Cuando haya terminado de trabajar o cuando se haya vaciado el depósito de agua:

Después del funcionamiento:

1. Desconecte el aparato de la red eléctrica.
2. Pulse el botón de vapor (7) y manténgalo pulsado hasta que deje de salir vapor.
3. Deje que el aparato se enfríe durante unos 12-20 minutos, dependiendo de la cantidad de vapor que quede en su interior.
4. Desenrosque lentamente el tapón de seguridad (1) y espere unos minutos a que salga la humedad del aparato.

Si no hay más agua en el depósito, el aparato dejará de producir vapor. Es necesario rellenar el depósito de agua. Para ello, siga los pasos que se indican a continuación:

Vuelva a llenar el depósito:

1. Desconecte el aparato de la red eléctrica.
2. Pulse el botón de vapor (7) y manténgalo pulsado hasta que deje de salir vapor.
3. Deje que el aparato se enfríe durante unos 12-20 minutos, dependiendo de la cantidad de vapor que quede en su interior.
4. Desenrosque lentamente el tapón de seguridad (1) y espere unos segundos a que salga el vapor restante.
5. Llene lentamente el depósito con agua o una mezcla de agua del grifo y agua destilada. Asegúrese de no verter más de 400 ml. (se recomiendan 350 ml)
6. Vuelva a cerrar el tapón de seguridad (1).

NOTA:

El limpiador de vapor tiene un sistema de protección contra el sobrecalentamiento. Se apagará automáticamente si se sobrecalienta. Tenga en cuenta que el aparato puede averiarse si se utiliza demasiadas veces con el depósito vacío. Asegúrese de que haya suficiente agua en el depósito en todo momento durante el funcionamiento.

Descripción y uso de los accesorios:

D. Cepillo plano

Introduzca la boquilla grande en la muesca del cepillo plano (3C) y gírela en el sentido de las agujas del reloj hasta que oiga un clic (3C). Puede limpiar superficies planas como ventanas, etc. Después del uso, retire el cepillo plano girándolo en sentido contrario a las agujas del reloj.

Para limpiar escritorios y sillas, estanterías o planchar ropa, coloque una toalla blanca sobre el cepillo plano (3C).

E. Boquilla grande

La boquilla grande es muy útil para limpiar esquinas.

Para colocarla, conecte el extremo más ancho de la boquilla a la salida de vapor para que el clip de seguridad encaje en su sitio. (3B)

F. Manguera de extensión

Si la superficie que desea limpiar es de difícil acceso, utilice una manguera de extensión.

Para conectar el extremo más ancho de la manguera a la salida de vapor, conéctela de forma que el clip de seguridad encaje en su sitio.

G, H. Cepillo de nylon y acero inoxidable

Introduzca la boquilla grande (E) en la muesca del cepillo redondo (3D) y gírela en el sentido de las agujas del reloj hasta que oiga un clic (3D). Después del uso, retire el cepillo redondo girándolo en sentido contrario a las agujas del reloj.

K. Tubo de extensión x 3

Si la zona de limpieza es de difícil acceso o el aparato se utiliza para limpiar suelos o cristales en lugares altos, puede utilizarse con el tubo de extensión. El modo de funcionamiento es el siguiente: conecte el extremo del tubo de extensión a la salida de vapor hasta que el cierre fijo quede totalmente encajado en la abertura del tubo de extensión (como con la boquilla grande 3B) y bloqueado en su lugar con un sonido de clic para indicar que el montaje se ha completado. Tenga en cuenta que el uso del tubo de extensión reducirá la temperatura del vapor. Dependiendo de la temperatura del tubo, el vapor que sale de la boquilla puede variar.

I. Cepillo para suelos

Utilice un cepillo para limpiar el suelo.

Conecte dos o tres tubos de extensión (K) juntos a la unidad. Conecte el otro extremo de los tubos de extensión al cepillo para suelos. Pulse los botones situados en los laterales del cepillo para abrir las abrazaderas de fijación, inserte la toalla para suelos (L) en las abrazaderas abiertas. Retire la toalla después de usarla y séquela/ lávela antes del siguiente uso.

Limpieza:

1. Saque el enchufe de la toma de corriente antes de limpiar.
2. Deje que el limpiador de vapor se enfríe antes de guardarlo.
3. Limpie el limpiador de vapor y los accesorios con un paño húmedo. Deje que todas las piezas se sequen completamente.

Almacenamiento:

Todas las piezas deben estar completamente secas antes de guardarlas.

- Guarde siempre el limpiador de vapor en un lugar seco, limpio y sin polvo.
- Guarde el limpiador de vapor bajo llave, colóquelo de forma que el aparato sea inaccesible para los niños.

Solución de problemas

Problema:

No sale vapor por la boquilla

Causa: El enchufe no está insertado en la toma de corriente

Solución: Enchufe el aparato a una toma de corriente

Causa: No hay agua en el depósito.

Solución: Vierta agua en el depósito.

Causa: El botón de vapor no está pulsado.

Solución: Suelte el bloqueo de acceso para niños y pulse el botón de vapor.

Problema:

Sólo se enciende la luz verde. La luz roja no se enciende.

Causa: Luz quemada.

Solución: Consulte al servicio central.

Problema:

Luz roja siempre encendida, luz verde no se enciende.

Causa: Piezas eléctricas internas rotas o termostato roto.

Solución: Consulte al servicio técnico central.

Problema:

Luz roja parpadeante.

Causa: Falta de agua o mala conexión a la red.

Solución: Compruebe que el aparato está correctamente conectado y totalmente enchufado a la red. Añada agua. Si el parpadeo persiste, póngase en contacto con el servicio central.

Problema:

Sale agua por la boquilla.

Causa: No se ha utilizado durante mucho tiempo y el vapor de la boquilla/accesorios se condensa.

Solución: Fenómeno normal. Pulse el botón de salida de vapor durante 2 segundos.

Si el aparato sigue escupiendo agua por la boquilla, hay demasiada agua en el aparato.

Si sale agua sin gas por la boquilla después de un uso prolongado, póngase en contacto con el servicio central.

Otros problemas:

Sale vapor del aparato por lugares distintos a la boquilla de vapor.

Deformación o reblandecimiento del plástico.

Después de vaciar el aparato o liberar vapor, la tapa de seguridad (1) sigue sin poder abrirse.

Solución: Póngase en contacto con el servicio central.

Datos técnicos:

Voltaje: 220-240V~ 50/60 Hz

Capacidad: 400 ml

Potencia: 1200W

Potencia máxima: 2000W



Por el bien del medio ambiente Los embalajes de cartón y las bolsas de polietileno (PE) deben desecharse en los contenedores adecuados para la recogida selectiva de residuos urbanos según su descripción. Si hay pilas en el aparato, deben retirarse y eliminarse por separado en un centro de recogida y almacenamiento. El aparato usado debe llevarse a un centro de recogida y almacenamiento adecuado, ya que las sustancias peligrosas que contiene pueden suponer un riesgo para la salud y el medio ambiente. El marcado del producto indica que el aparato no debe desecharse en el contenedor municipal de residuos. Los residuos de aparatos eléctricos son residuos que contienen sustancias nocivas para las personas, los animales y el medio ambiente. Estas sustancias pueden contaminar el suelo, el agua o el aire, y a través de ello pueden entrar en el cuerpo humano y provocar una serie de problemas de salud, como problemas de visión, audición, habla, también pueden dañar los riñones, el hígado y el corazón, y causar enfermedades de la piel. Las sustancias nocivas también pueden tener efectos adversos en los sistemas respiratorio y reproductor y provocar cambios cancerígenos. El consumo de plantas que crecen en los suelos afectados, y de productos elaborados a partir de ellas, puede provocar los efectos mencionados sobre la salud. **No deseche el equipo en el contenedor de basura municipal**

Servicio técnico Si desea adquirir piezas de repuesto o tiene alguna reclamación, diríjase póngase en contacto directamente con el distribuidor que emitió el recibo.

Manual de Instruções (PT)

CONDIÇÕES DE SEGURANÇA

INSTRUÇÕES DE SEGURANÇA IMPORTANTES PARA UTILIZAÇÃO LEIA ATENTAMENTE E GUARDE-AS PARA REFERÊNCIA FUTURA

As condições de garantia são diferentes se o aparelho for utilizado para fins comerciais.

1. Leia atentamente as instruções que se seguem e respeite-as sempre antes de utilizar o produto. O fabricante não é responsável por quaisquer danos causados por uma utilização incorrecta.

2. O produto só pode ser utilizado em espaços interiores. Não utilizar o produto para fins incompatíveis com a sua utilização.

3. A tensão aplicável é de 230V, ~50Hz. Por razões de segurança, não ligue vários dispositivos a uma tomada eléctrica.
4. Tenha cuidado quando utilizar o produto com crianças. Não permita que as crianças brinquem com o produto. Não permita que crianças ou pessoas não familiarizadas com o aparelho o utilizem sem supervisão.
5. AVISO: Este aparelho só pode ser utilizado por crianças com mais de 8 anos de idade e por pessoas com capacidades físicas, sensoriais ou mentais limitadas, ou por pessoas sem experiência ou conhecimento do aparelho, sob a supervisão de uma pessoa responsável pela sua segurança ou se tiverem recebido instruções sobre a utilização segura do aparelho e estiverem conscientes dos perigos associados ao seu funcionamento. As crianças não devem brincar com o aparelho. A limpeza e a manutenção do aparelho não devem ser efectuadas por crianças, a menos que tenham pelo menos 8 anos de idade e que estas operações sejam efectuadas sob supervisão.
6. Quando terminar de utilizar o produto, lembre-se sempre de retirar cuidadosamente a ficha da tomada, segurando-a com a mão. Nunca puxar pelo cabo de alimentação!!!
7. Nunca deixe o produto ligado a uma fonte de alimentação sem vigilância. Mesmo que a utilização seja interrompida por um curto período de tempo, desligue-o da rede eléctrica, desligue a fonte de alimentação.
8. Nunca colocar o cabo de alimentação, a ficha ou todo o aparelho na água. Nunca exponha o produto a condições climatéricas como luz solar directa, chuva, etc. Nunca utilizar o produto em condições de humidade.
9. Verifique periodicamente o estado do cabo de alimentação. Se o cabo de alimentação estiver danificado, leve o produto a um centro de assistência técnica profissional para o substituir, de modo a evitar situações perigosas.
10. Nunca utilize o produto com um cabo de alimentação danificado ou se este tiver caído ou sofrido outros danos, ou se não estiver a funcionar corretamente. Não tente reparar um produto defeituoso, pois isso pode provocar um choque eléctrico. Leve sempre o aparelho defeituoso a um centro de assistência técnica profissional para reparação. As reparações

só podem ser efectuadas por técnicos de assistência autorizados. As reparações incorrectas podem resultar em situações perigosas para o utilizador.

11. Nunca coloque o produto em cima ou perto de superfícies quentes ou de aparelhos de cozinha, como um forno elétrico ou um fogão a gás.
12. Nunca utilizar o produto perto de materiais combustíveis.
13. Não deixe que o cabo fique pendurado na borda da bancada.
14. Se o aparelho estiver demasiado cheio, pode sair água a ferver.
15. Nunca aponte a máquina de limpeza a vapor para si, para outras pessoas, para animais ou para aparelhos eléctricos, por exemplo: fornos .
16. O aparelho só pode ser utilizado com acessórios originais.
17. Não bloquear as aberturas do aparelho nem introduzir objectos nas aberturas.
18. Não inclinar o aparelho mais de 45 graus. O aparelho foi concebido para funcionar na posição vertical.
19. Desligar o aparelho da tomada antes de deitar água.
20. Não adicionar substâncias à água utilizada no aparelho: desincrustantes, óleos aromáticos, produtos de limpeza.
21. Verificar se a tampa do reservatório de água está bem aparafusada ao aparelho.



AVISO: VAPOR QUENTE Perigo de escaldadura

Descrição do aparelho:

1. Torneira de segurança
2. Abertura de enchimento
3. Tampa de fecho
4. Saída de vapor
5. Luz indicadora
6. Bloqueio para crianças
7. Libertação do vapor
8. Ficha de alimentação

Acessórios: A. Funil × 1 B. Copo de medição × 1 C. Conjunto de toalhas × 1 D. Escova plana × 1 E. Bocal grande × 1 F. Mangueira de extensão × 1 G. Escova de nylon × 1 H. Escova de aço inoxidável × 1 I. Escova para o chão × 1 J. Conector para escova de chão × 1 K. Tubo de extensão × 3 L. Toalha da escova de chão × 1

NOTA: - Verifique primeiro, numa área não visível, se o material que pretende limpar é adequado para a limpeza a vapor, como por exemplo:

O vapor pode provocar o desbotamento da madeira envernizada ou do couro.

A madeira não protegida pode inchar.

O vapor pode remover camadas protectoras de cera.

Os plásticos podem ganhar cor quando expostos ao vapor.

Os plásticos moles podem deformar-se sob a influência do vapor.
O vidro frio ou as superfícies espelhadas podem rachar quando expostos ao vapor quente.

- Nunca encha a máquina de limpeza a vapor com outros líquidos para além de água.
- Em circunstância alguma coloque o aparelho de limpeza a vapor ou as peças individuais na máquina de lavar louça. Estes seriam danificados.
- Não utilizar a máquina de limpeza a vapor se as suas peças de plástico apresentarem fissuras, danos ou deformações. Substituir as peças danificadas apenas por peças sobresselentes originais adequadas.
- Não utilizar a máquina de limpeza a vapor com o depósito vazio. Quando o depósito de água estiver vazio, puxar a ficha de alimentação para evitar o sobreaquecimento.
- Se pretender limpar janelas, aqueça-as primeiro, por exemplo, aplicando vapor numa área maior a partir de uma distância maior e depois a partir de uma distância mais próxima.
- Usar luvas, óculos de proteção e proteção respiratória quando se pretende remover substâncias nocivas.

Antes da primeira utilização:

Retirar todos os materiais de embalagem e autocolantes do aparelho. Limpar o aparelho com um pano limpo e húmido. Abrir o aparelho rodando a porca de segurança (1) para a esquerda. Encher com água e deitar a água fora. Isto permitirá remover os resíduos e a sujidade de fábrica do interior do aparelho. Em seguida, continuar o funcionamento normal.

Utilização:

1. Colocar a máquina de limpeza a vapor sobre uma superfície seca e plana e abrir a ficha de segurança (1). Para o fazer, premir firmemente a tampa para baixo e rodá-la no sentido contrário ao dos ponteiros do relógio.
2. Utilizar o copo medidor (B) e o funil (A) para encher o aparelho com água. A capacidade máxima é de 400 ml. Sugerimos que encha até 350 ml para obter um melhor desempenho e uma maior produção de vapor. Se o reservatório tiver mais de 350 ml, o vapor pode conter alguma água durante os primeiros 2 minutos de utilização.

Notas especiais:

Utilizar água limpa (pequenas partículas sólidas podem bloquear o tubo ou provocar avarias na máquina)

Se a água da torneira na sua área for dura ou muito dura, sugerimos que utilize uma mistura de água da torneira e água destilada. Por favor, não deite menos de 150 ml de água.

3. Feche a tampa rodando-a no sentido dos ponteiros do relógio.
4. Introduzir a ficha de alimentação numa tomada eléctrica. Uma luz vermelha acende-se para indicar o aquecimento.
5. Quando a luz verde se acende, o aparelho está pronto a ser utilizado. A luz vermelha acende-se e apaga-se durante o funcionamento. Utilize o aparelho apenas quando a luz verde estiver acesa. Caso contrário, a água quente pingará e salpicará do aparelho.
6. Coloque o bloqueio para crianças (6) na posição de ligado. Em seguida, prima o gatilho de vapor (7). O vapor começa a sair do aparelho. Lembre-se de premir sempre o gatilho de vapor (7). Quando soltar o gatilho de vapor (7), o bloqueio para crianças (6) voltará à posição de desligado.

Quando tiver terminado o trabalho ou quando o depósito de água tiver sido esvaziado:

Após o funcionamento:

1. Desligar o aparelho da rede eléctrica.
2. Premir o gatilho de vapor (7) e mantê-lo premido até que o vapor deixe de ser produzido.
3. Deixar arrefecer o aparelho durante cerca de 12 a 20 minutos, em função da quantidade de vapor que ainda existe no interior.
4. Desaperte lentamente a tampa de segurança (1) e aguarde alguns minutos para que a humidade saia do aparelho.

Se não houver mais água no reservatório, o aparelho deixa de produzir vapor. É necessário reabastecer a água. Para o efeito, siga os passos seguintes:

Voltar a encher o depósito:

1. Desligar o aparelho da rede eléctrica.
2. Premir o gatilho de vapor (7) e mantê-lo premido até que o vapor deixe de ser produzido.
3. Deixar arrefecer o aparelho durante cerca de 12 a 20 minutos, em função da quantidade de vapor que ainda existe no interior.
4. Desaperte lentamente a tampa de segurança (1) e aguarde alguns segundos para que o vapor restante saia.
5. Encher lentamente o reservatório com água ou com uma mistura de água da torneira e de água destilada. Não deite mais de 400 ml. (recomenda-se 350 ml)
6. Voltar a fechar a tampa de segurança (1).

NOTA:

A máquina de limpeza a vapor tem um sistema de proteção contra o sobreaquecimento. Se sobreaquecer, desliga-se automaticamente. O aparelho pode avariar-se se for utilizado demasiadas vezes com o depósito vazio. Certifique-se de que existe

sempre água suficiente no depósito durante o funcionamento.

Descrição e utilização dos acessórios:

D. Escova plana

Introduzir o bocal grande no entalhe da escova plana (3C) e rodá-lo no sentido dos ponteiros do relógio até ouvir um clique (3C). Pode limpar superfícies planas, como janelas, etc. Após a utilização, retire a escova plana rodando-a no sentido contrário ao dos ponteiros do relógio.

Para limpar secretárias e cadeiras, estantes de livros ou roupa para engomar, coloque uma toalha branca sobre a escova plana (3C).

E. Bocal grande

O bocal grande é muito útil para limpar os cantos.

Para o fixar, ligue a extremidade mais larga do bocal à saída de vapor, de modo a que o clipe de segurança encaixe no lugar. (3B)

F. Mangueira de extensão

Se a superfície que está a tentar limpar for de difícil acesso, utilize uma mangueira de extensão.

Para fixar a extremidade mais larga da mangueira à saída de vapor, ligue-a de forma a que o clipe de segurança encaixe no sítio.

G, H. Escova de nylon e aço inoxidável

Insira o bocal grande (E) no entalhe da escova redonda (3D) e rode-o no sentido dos ponteiros do relógio até ouvir um clique (3D).

Após a utilização, retire a escova redonda rodando-a no sentido contrário ao dos ponteiros do relógio.

K. Tubo de extensão x 3

Se a zona de limpeza for de difícil acesso ou se o aparelho for utilizado para limpar pavimentos ou vidros em locais altos, pode ser utilizado com o tubo de extensão. O funcionamento é o seguinte: ligar a extremidade do tubo de extensão à saída de vapor até que o fecho fixo esteja totalmente encaixado na abertura do tubo de extensão (como no caso do bocal grande 3B) e bloqueado no lugar com um estalido para indicar que a montagem está concluída. Note-se que a utilização do tubo de extensão reduzirá a temperatura do vapor. Dependendo da temperatura do tubo, o vapor que sai do bocal pode variar.

L. Escova para o chão

Utilize uma escova de chão para limpar o chão.

Ligue dois ou três tubos de extensão (K) à unidade. Ligue a outra extremidade dos tubos de extensão à escova para o chão. Prima os botões nas laterais da escova para abrir os grampos de fixação, insira o pano de chão (L) nos grampos abertos. Retirar o pano após a utilização e secar/lavar antes da próxima utilização.

Limpeza:

1. Retirar a ficha de alimentação da tomada antes de limpar.
2. Deixar arrefecer a máquina de limpeza a vapor antes de a guardar.
3. Limpe a máquina de limpeza a vapor e os acessórios com um pano húmido. Deixar secar completamente todas as peças.

Armazenamento:

Todas as peças devem estar completamente secas antes de serem armazenadas.

- Guarde sempre a máquina de limpeza a vapor num local seco, limpo e sem pó.

- Guarde a máquina de limpeza a vapor debaixo de um cadeado e coloque-a de forma a que o aparelho não seja acessível às crianças.

Resolução de problemas

Problema:

Não está a sair vapor do bocal

Causa: A ficha não está inserida na tomada eléctrica

Solução: Ligar o aparelho a uma tomada eléctrica

Causa: Não há água no depósito.

Solução: Deitar água no reservatório.

Causa: O botão de vapor não está premido.

Solução: Soltar o bloqueio de acesso das crianças e premir o botão de vapor.

Problema:

Apenas a luz verde está acesa. A luz vermelha não se acende.

Causa: A luz queimou-se.

Solução: Consultar o serviço central.

Problema:

A luz vermelha está sempre acesa, a luz verde não se acende.

Causa: Peças eléctricas internas avariadas ou termóstato avariado.

Solução: Consultar o serviço de assistência técnica central.

Problema:

Luz vermelha intermitente.

Causa: Falta de água ou má ligação à rede.

Solução: Verificar se o aparelho está corretamente ligado e totalmente conectado à rede eléctrica. Adicionar água. Se a cintilação persistir, contactar o serviço central.

Problema:

Saída de água do bocal.

Causa: Não foi utilizado durante muito tempo e o vapor no bocal/acessórios condensou-se.

Solução: Fenómeno normal. Premir o botão de libertação de vapor durante 2 segundos.

Se o aparelho continuar a deitar água para fora do bocal, há demasiada água no aparelho.

Se, após uma utilização prolongada, sair água sem gás pelo bocal, contacte o serviço de assistência técnica.

Outros problemas:

Saída de vapor do aparelho por outros sítios que não o bocal de vapor.

Deformação do plástico ou amolecimento do plástico.

Depois de esvaziar o aparelho ou de libertar o vapor, a tampa de segurança (1) continua a não poder ser aberta.

Solução: Contactar o serviço central.

Dados técnicos:

Tensão: 220-240V~ 50/60 Hz

Capacidade: 400 ml

Potência: 1200W

Potência máxima: 2000W



Para proteção do ambiente. As embalagens de cartão e os sacos de polietileno (PE) devem ser eliminados nos contentores adequados para a recolha selectiva de resíduos urbanos, de acordo com a sua descrição. Se o aparelho contiver pilhas, estas devem ser retiradas e eliminadas separadamente num centro de recolha e armazenamento. O aparelho usado deve ser levado para um local de recolha e armazenamento adequado, uma vez que as substâncias perigosas que contêm podem constituir um risco para a saúde e para o ambiente. A marcação no produto indica que o aparelho não deve ser deixado no contentor do lixo municipal. Os resíduos de equipamentos eléctricos são resíduos que contêm substâncias nocivas para os seres humanos, os animais e o ambiente. Estas substâncias podem contaminar o solo, a água ou o ar e, através disso, podem entrar no corpo humano e provocar uma série de problemas de saúde, tais como perturbações da visão, da audição e da fala, podendo também danificar os rins, o fígado e o coração e provocar doenças de pele. As substâncias nocivas podem também ter efeitos adversos nos sistemas respiratório e reprodutivo e provocar alterações cancerígenas. O consumo de plantas que crescem nos solos afectados e de produtos fabricados a partir deles pode provocar os efeitos na saúde acima referidos. **Não deitar o equipamento no contentor do lixo municipal!**



Assistência técnica Se desejar adquirir peças sobresselentes ou se tiver alguma reclamação a fazer, contacte directamente o revendedor que emitiu o recibo.

Naudojimo instrukcija (LT)

SAUGOS SAŁYGOS

SVARBŪS NAUDOJIMO SAUGOS NURODYMAI

ATIDŽIAI PERSKAITYKITE IR IŠSAUGOKITE, KAD GALĖTUMĖTE SU

JAIS SUSIPAŽINTI ATEITYJE

Garantijos sąlygos skiriasi, jei prietaisas naudojamas komerciniais tikslais.

1. Prieš naudodami gaminį atidžiai perskaitykite toliau pateiktas

instrukcijas ir visada jų laikykitės. Gamintojas neatsako už bet kokią žalą, atsiradusią dėl netinkamo naudojimo.

2. Gaminį galima naudoti tik patalpose. Nenaudokite gaminio su jo naudojimu nesuderinamiems tikslams.

3. Taikoma 230 V, ~50 Hz įtampa. Saugumo sumetimais prie vieno elektros lizdo neįjunkite kelių įrenginių.

4. Būkite atsargūs naudodami su vaikais. Neleiskite vaikams žaisti su gaminiu. Neleiskite vaikams ar kitiems su prietaisu nesusipažinusiems asmenims juo naudotis be priežiūros.

5. ĮSPĖJIMAS: Šį prietaisą gali naudoti tik vyresni nei 8 metų vaikai ir asmenys su ribotais fiziniais, jutiminiais ar protiniais gebėjimais arba asmenys, neturintys patirties ar žinių apie prietaisą, prižiūrimi asmens, atsakingo už jų saugumą, arba jei jie buvo instruktuoti apie saugų prietaiso naudojimą ir žino su jo veikimu susijusius pavojus. Vaikai neturėtų žaisti su prietaisu. Vaikai neturėtų atlikti prietaiso valymo ir priežiūros darbų, nebent jie yra ne jaunesni kaip 8 metų amžiaus ir šie darbai atliekami prižiūrint.

6. Baigę naudoti gaminį, visada nepamirškite atsargiai ištraukti kištuką iš lizdo, laikydami jį ranka. Niekada netraukite už maitinimo laido!!!

7. Niekada nepalikite gaminio, prijungto prie maitinimo šaltinio, be priežiūros. Net ir trumpam nutraukę naudojimą, išjunkite jį iš elektros tinklo, atjunkite maitinimo šaltinį.

8. Niekada nemerkite maitinimo laido, kištuko ar viso prietaiso į vandenį. Niekada nelaikykite gaminio oro sąlygose, pavyzdžiui, tiesioginiuose saulės spinduliuose, lietuje ir pan. Niekada nenaudokite gaminio drėgnomis sąlygomis.

9. Periodiškai tikrinkite maitinimo laido būklę. Jei maitinimo laidas pažeistas, nuneškite gaminį į profesionalų aptarnavimo centrą, kad jį pakeistų, taip išvengsite pavojingų situacijų.

10. Niekada nenaudokite gaminio su pažeistu maitinimo laidu, jei jis buvo numestas ar kitaip sugadintas, arba jei jis veikia netinkamai. Nebandykite patys taisyti sugedusio gaminio, nes tai gali sukelti elektros smūgį. Sugedusį įrenginį visada neškite remontuoti į profesionalų techninės priežiūros centrą. Bet kokį remontą turi atlikti tik įgalioti techninės

priežiūros specialistai. Neteisingai atliktas remontas gali sukelti naudotojui pavojingų situacijų.

11. Niekada nedėkite gaminio ant karštų ar įkaitusių paviršių arba šalia jų, taip pat ant maisto ruošimo prietaisų, pavyzdžiui, elektrinės orkaitės ar dujinio degiklio.

12. Niekada nenaudokite gaminio šalia degių medžiagų.

13. Neleiskite, kad laidas kabotų ant stalviršio krašto.

14. Jei prietaisas perpildytas, gali išsiveržti verdantis vanduo.

15. Niekada nenukreipkite garų valytuvo į save, kitus žmones, gyvūnus ar elektros prietaisus, pvz.

16. Prietaisą galite naudoti tik su originaliais priedais.

17. Neuždenkite aparato angų ir neįkiškite į jas jokių daiktų.

18. Nepalenkite prietaiso daugiau kaip 45 laipsnių kampu. Prietaisas sukurtas veikti vertikaloje padėtyje.

19. Prieš pilant į mašiną vandenį, atjunkite ją nuo elektros tinklo.

20. Į prietaiso naudojamą vandenį nepilkite jokių medžiagų: nukalkintojų, aromatinių aliejų, valymo priemonių.

21. Įsitikinkite, kad vandens rezervuaro dangtelis yra tvirtai užsuktas ant prietaiso.



ĮSPĖJIMAS: karšti garai Apageimo pavojus

Prietaiso aprašymas:

1. Apsauginis čiaupas 2. Pripildymo anga 3. Uždaromasis dangtelis 4. Garų išleidimo anga
5. Kontrolinė lemputė 6. Užraktas nuo vaikų 7. Garų išleidimas 8. Maitinimo kištukas

Priedai: A. Piltuvėlis × 1 B. Matavimo puodelis × 1 C. Rankšluosčių rinkinys × 1 D. Plokščias šepetys × 1 E. Didelis antgalis × 1 F. Pratešimo žarna × 1 G. Nailoninis šepetys × 1 H. Nerūdijančio plieno šepetys × 1 I. Grindų šepetys × 1 J. Grindų šepetio jungtis × 1 K. Prailginimo vamzdis × 3 L. Grindų šepetio rankšluostis × 1

PASTABA: - Pirmiausia nematomoje vietoje patikrinkite, ar medžiaga, kurią ketinate valyti, yra tinkama valyti garais, pvz:

Garai gali sukelti lakuotos medienos ar odos išblukimą.

Neapsaugota mediena gali išbrinkti.

Garai gali pašalinti apsauginius vaško sluoksnius.

Veikiami garų plastikai gali nusidažyti.

Minkšti plastikai gali deformuotis veikiami garų.

Šaltas stiklas arba veidrodiniai paviršiai, veikiami karštų garų, gali įtrūkti.

- Niekada nepilkite į garų valytuvą kitų skysčių, išskyrus vandenį.
- Jokiū būdu nedėkite garų valytuvo ar atskirų jo dalių į indaplovę. Jos būtų sugadintos.
- Nustokite naudoti garų valytuvą, jei jo plastikinės dalys yra įtrūkusios, pažeistos arba deformuotos. Pažeistas dalis keiskite tik tinkamomis originaliomis atsarginėmis dalimis.
- Nenaudokite garų valytuvo su tuščiu rezervuaru. Ištuštėjus vandens rezervuarui, ištraukite tinklo kištuką, kad išvengtumėte perkaitimo.
- Norėdami valyti langus, pirmiausia juos pašildykite, pavyzdžiui, garais iš didesnio atstumo apipurkškite didesnį plotą, o po to - iš arti.
- Bandydami pašalinti kenksmingas medžiagas, mūvėkite pirštines, apsauginius akinius ir kvėpavimo takų apsaugos priemones.

Prieš naudodami pirmą kartą:

Nuo įrenginio nuimkite visas pakavimo medžiagas ir lipdukus. Išvalykite įrenginį švaria ir drėgna šluoste. Atidarykite prietaisą pasukdami apsauginę veržlę (1) į kairę. Pripilkite vandens ir išpilkite vandenį. Taip iš prietaiso vidaus pašalinsite visus likučius ir gamyklinius nešvarumus. Tada tęskite įprastą veikimą.

Naudojimas:

1. Padėkite garų valytuvą ant sauso ir lygaus paviršiaus ir atidarykite apsauginį kištuką (1). Norėdami tai padaryti, stipriai paspauskite dangtelį žemyn ir pasukite jį prieš laikrodžio rodyklę.
2. Naudodami matavimo taurę (B) ir piltuvėlį (A) pripildykite prietaisą vandens. Didžiausia talpa yra 400 ml. Siūlome pripildyti iki 350 ml, kad prietaisas geriau veiktų ir gamintų daugiau garų. Jei rezervuare yra daugiau nei 350 ml, pirmas 2 minutes naudojant garą jame gali būti šiek tiek vandens.

Specialios pastabos:

Naudokite švarų vandenį (smulkios kietosios dalelės gali užkimšti vamzdį arba sukelti aparato gedimą)

Jei jūsu vietovėje vandentiekio vanduo yra kietas arba labai kietas, siūlome naudoti vandentiekio vandens ir distiliuoto vandens mišinį.

Nepilkite mažiau nei 150 ml vandens.

3. Uždarykite dangtelį sukdami pagal laikrodžio rodyklę.

4. Įkiškite tinklo kištuką į elektros lizdą. Užsiedegs raudona lemputė, rodanti kaitinimą.

5. Kai užsiedegs žalia lemputė, prietaisas bus paruoštas naudoti. Atkreipkite dėmesį, kad raudona lemputė įsijungia ir išsijungia veikimo metu. Naudokite tik tada, kai dega žalia lemputė. Priešingu atveju iš prietaiso lašės ir purkš karštas vanduo.

6. Pasukite užraktą nuo vaikų (6) į jungimo padėtį. Tada paspauskite garų paleidiklį (7). Iš prietaiso pradės veržtis garai.

Nepamirškite visada paspausti garų gaiduką (7), atleidus garų gaiduką (7), užraktas nuo vaikų (6) grįš į išjungimo padėtį.

Baigę darbą arba ištuštinę vandens bakelį:

Po darbo:

1. Išjungti prietaisą iš elektros tinklo.

2. Paspauskite garų paleidiklį (7) ir laikykite jį nuspaustą tol, kol nustos gamintis garai.

3. Leiskite prietaisui atvėsti maždaug 12-20 minučių, priklausomai nuo viduje likusių garų kiekio.

4. Lėtai atsukite apsauginį dangtelį (1) ir palaukite kelias minutes, kol iš prietaiso pasišalins drėgmė.

Jei rezervuare nebeliks vandens, prietaisas nustos gaminti garus. Vandens reikia papildyti. Norėdami tai padaryti, atlikite toliau nurodytus veiksmus:

Iš naujo pripildykite rezervuarą:

1. Atjunkite prietaisą nuo elektros tinklo.

2. Paspauskite garų nuleistuką (7) ir laikykite jį nuspaustą, kol nustos skliti garai.

3. Leiskite prietaisui atvėsti maždaug 12-20 minučių, priklausomai nuo viduje likusių garų kiekio.

4. Lėtai atsukite apsauginį dangtelį (1) ir kelias sekundes palaukite, kol išeis likę garai.

5. Lėtai pripildykite talpyklą vandens arba vandentiekio vandens ir distiliuoto vandens mišinio. Įsitikinkite, kad neįpilata daugiau nei 400 ml. (rekomenduojama 350 ml)

6. Vėl uždarykite apsauginį dangtelį (1).

DĖMESIO:

Garų valytuvą turi apsaugos nuo perkaitimo sistemą. Jis automatiškai išsijungs, jei perkais. Atkreipkite dėmesį, kad prietaisas gali sugesti, jei bus naudojamas per daug kartų su tuščiu rezervuaru. Įsitikinkite, kad eksploatacijos metu bake visada yra pakankamai vandens.

Priedų aprašymas ir naudojimas:

D. Plokščias šepetys

Išstatykite didelį antgalį į plokščiojo šepetio įpjovą (3C) ir sukite jį pagal laikrodžio rodyklę, kol išgirsite spragtelėjimą (3C). Galima valyti plokščius paviršius, pavyzdžiui, langus ir pan. Po naudojimo išimkite plokščiąjį šepetį pasukdami jį prieš laikrodžio rodyklę. Norėdami valyti stalus ir kėdes, knygų lentynas ar lyginti drabužius, ant plokščiojo šepetio (3C) uždėkite baltą rankšluostį.

E. Didysis antgalis

Didysis antgalis praverčia valant kampus.

Norėdami pritvirtinti, prijunkite platesnį antgalio galą prie garų išleidimo angos, kad apsauginis spaustukas užsifiksuotų. (3B)

F. Pratęsimo žarna

Jei prie valomo paviršiaus sunku prieiti, naudokite prailginamąją žarną.

Norėdami pritvirtinti platesnį žarnos galą prie garų išleidimo angos, prijunkite taip, kad apsauginis spaustukas užsifiksuotų.

G, H. Nailono ir nerūdijančio plieno šepetys

Išstatykite didį antgalį (E) į apvalaus šepetio įpjovą (3D) ir sukite jį pagal laikrodžio rodyklę, kol išgirsite spragtelėjimą (3D).

Panaudoję apvalų šepetį išimkite sukdami jį prieš laikrodžio rodyklę.

K. Prailginimo vamzdelis x 3

Jei valymo vieta sunkiai pasiekiamą arba prietaisas naudojamas grindims ar stiklui valyti aukštai esančiose vietose, jį galima naudoti su prailginimo vamzdeliu. Jis veikia taip: ilginamojo vamzdelio galą prijunkite prie garų išleidimo angos, kol stacionarus užraktas bus visiškai įkištas į ilginamojo vamzdelio angą (kaip su dideliu antgaliu 3B) ir užfiksuotas spragtelėjimu, reiškiančiu, kad montavimas baigtas. Atkreipkite dėmesį, kad naudojant prailginimo vamzdelį sumažės garų temperatūra. Priklausomai nuo vamzdelio temperatūros, iš antgalio išeinantis garas gali skirtis.

I. Grindų šepetys

Grindims valyti naudokite grindų šepetį.

Prie įrenginio kartu prijunkite du arba tris prailginimo vamzdelius (K). Kitą ilginamųjų vamzdelių galą prijunkite prie grindų šepetio.

Paspauskite šepetio šonuose esančius mygtukus, kad atsidadytų tvirtinimo gnybtai, į atidarytus gnybtus išstatykite grindų rankšluostį (L). Po naudojimo nuimkite rankšluostį ir prieš kitą naudojimą išdžiovinkite / išskalbkite.

Valymas:

1. Prieš valydami ištraukite tinklo kištuką iš lizdo.
2. Prieš laikydami garų valytuvą leiskite jam atvėsti.
3. Nuvalykite garų valytuvą ir priedus drėgna šluoste. Leiskite visoms dalims visiškai išdžiūti.

Laikymas:

Prieš sandėliavimą visos dalys turi būti visiškai sausos.

- Garų valytuvą visada laikykite sausoje, švarioje ir nedulkėtoje vietoje.

- Laikykite garų valytuvą užraktą, pastatykite jį taip, kad prietaisas būtų nepasiekiamas vaikams.

Gedimų šalinimas

Problema:

Iš antgalio neišeina garai

Priežastis: Kištukas neįkištas į elektros lizdą

Sprendimas: Įjunkite prietaisą į elektros lizdą

Priežastis: rezervuare nėra vandens.

Sprendimas: Įpilkite vandens į rezervuarą.

Priežastis: Nespaudžiamas garų mygtukas.

Sprendimas: Atlaisvinkite prielaidą nuo vaikų užraktą ir paspauskite garų mygtuką.

Problema:

Dega tik žalia lemputė. Raudona lemputė neįsijungia.

Priežastis: Šviesa perdegė.

Sprendimas: Kreipkitės į centrinę tarnybą.

Problema:

Raudona lemputė visada dega, žalia nedega.

Priežastis: sugedusios vidinės elektrinės dalys arba sugedęs termostatas.

Sprendimas: Kreipkitės į centrinę aptarnavimo skyrių.

Problema:

Mirksinti raudona lemputė.

Priežastis: vandens trūkums arba prastas tīnklo rīšys.

Sprendimas: Patīrīnīkite, ar prietaisais teisingai pīrījungtas ī visīšīkai ījungtas ī elektros tīnkā. Īpīlīkite vandens. Jei mirgējīmas vis dar vyksta, kreipītēs ī centrīnē tamybā.

Problema:

Īš antgalīo bēga vanduo.

Priežastis: Īlgai nenaudotas ir antgalīje / pīrīduose kondensuojasi garai.

Sprendimas: Īprastas reīškīnys. Paspāusīkite garų īšleidīmo mygtukā 2 sekundes.

Jei prietaisais vis tiek spāujdo vandenī īš antgalīo, per daug vandens prietaise.

Jei po īlgesnīo naudojīmo īš antgalīo trykšta negazuotas vanduo, kreipītēs ī centrīnī aptarnavīmo centra.

Kitos problemas:

Garai īš prietaiso veržīasi ne īš garų antgalīo, o īš kitų vietų.

Plastīko deformacīja arba mīnkstējīmas.

Īštūstīnus prietaisā arba īšleidus garus, apsāugīno dangtelīo (1) vis dar negalīma atīdaryti.

Sprendimas: Kreipītēs ī centrīnē tamybā.

Technīnīas duomenys:

Ītampa: 220-240 V~ 50/60 Hz

Talpa: 400 ml

Galīa: 1200 W

Didžiausia galīa: 2000W



Aplinkosaugos labui. Kartono pakuotes ir polietileno (PE) maišelius reikia išmesti į atitinkamus rūšiavimo komunalinių atliekų surinkimo konteinerius pagal jų aprašymą. Jei prietaise yra baterijų, jas reikia išimti ir išmesti atskirai į atliekų surinkimo ir saugojimo vietą. Panaudotą prietaisą reikia nuvežti į atitinkamą surinkimo ir saugojimo vietą, nes jame esančios pavojingos medžiagos gali kelti pavojų sveikatai ir aplinkai. Ant gaminio esantis ženklas nurodo, kad prietaiso negalima išmesti į komunalinių atliekų konteinerį. Elektros įrangos atliekos - tai atliekos, kuriose yra žmonėms, gyvūnams ir aplinkai kenksmingų medžiagų. Šios medžiagos gali užteršti dirvožemį, vandenį ar orą, o per tai jos gali patekti į žmogaus organizmą ir sukelti įvairių sveikatos sutrikimų, pavyzdžiui, regos, klausos, kalbos sutrikimų, taip pat gali pažeisti inkstus, kepenis ir širdį, sukelti odos ligas. Kenksmingos medžiagos taip pat gali turėti neigiamą poveikį kvėpavimo ir reprodukcinei sistemoms ir sukelti vėžinius pokyčius. Augalų, augančių paveiktame dirvožemyje, ir iš jų pagamintų produktų vartojimas gali sukelti minėtą poveikį sveikatai. **Neišmeskite įrangos į komunalinių atliekų konteinerį!**



Paslauga Jei norite įsigyti atsarginių dalių arba turite nusiskundimų, kreipkitės į tiesiogiai kreipkitės į kvitą išdavusį pardavėją.

Lietošanas instrukcija (LV)

DROŠĪBAS NOSACĪJUMI SVARĪGI DROŠĪBAS NORĀDĪJUMI LIETOŠANAI LŪDZU, UZMANĪGI IZLASIET UN SAGLABĀJIET TURPMĀKAI ATSAUCEI

Garantijas nosacījumi ir atšķirīgi, ja ierīce tiek izmantota komerciāliem mērķiem.

1. Lūdzu, rūpīgi izlasiet turpmāk minētos norādījumus un vienmēr ievērojiet tos pirms izstrādājuma lietošanas. Ražotājs nav atbildīgs par jebkādiem bojājumiem, kas radušies nepareizas lietošanas rezultātā.
2. Izstrādājumu drīkst lietot tikai telpās. Neizmantojiet izstrādājumu mērķiem, kas nav saderīgi ar tā lietošanu.

3. Izmantojamais spriegums ir 230 V, ~50 Hz. Drošības apsvērumu dēļ nepievienojiet vairākas ierīces vienai elektrības rozetei.
4. Esiet uzmanīgi, ja ierīci lieto kopā ar bērniem. Neļaujiet bērniem spēlēties ar izstrādājumu. Neļaujiet bērniem vai citām personām, kas nav pazīstamas ar ierīci, to lietot bez uzraudzības.
5. BRĪDINĀJUMS: Šo ierīci drīkst lietot tikai bērni, kas vecāki par 8 gadiem, un personas ar ierobežotām fiziskajām, maņu vai garīgajām spējām vai personas bez pieredzes un zināšanām par ierīci, ja tās atrodas par viņu drošību atbildīgas personas uzraudzībā vai ja tās ir instruētas par ierīces drošu lietošanu un apzinās ar tās darbību saistītos apdraudējumus. Bērni nedrīkst spēlēties ar ierīci. Ierīces tīrīšanu un apkopi nedrīkst veikt bērni, ja vien viņi nav vismaz 8 gadus veci un šīs darbības netiek veiktas uzraudzībā.
6. Kad esat pabeidzis lietot izstrādājumu, vienmēr atcerieties uzmanīgi izvilkt kontaktdakšu no kontaktligzdas, turot kontaktligzdu ar roku. Nekad nevelciet strāvas vadu!!!
7. Nekad neatstājiet izstrādājumu pieslēgtu pie strāvas avota bez uzraudzības. Pat ja lietošana ir pārtraukta uz īsu brīdi, izslēdziet to no elektrotīkla, atvienojiet strāvas padevi.
8. Nekad nemetiet strāvas vadu, kontaktdakšu vai visu ierīci ūdenī. Nekad nepakļaujiet ierīci laikapstākļu iedarbībai, piemēram, tiešiem saules stariem, lietum utt. Nekad nelietojiet izstrādājumu mitros apstākļos.
9. Periodiski pārbaudiet strāvas vada stāvokli. Ja strāvas vads ir bojāts, nogādājiet izstrādājumu profesionālā servisa centrā, lai to nomainītu, tādējādi novēršot bīstamas situācijas.
10. Nekad nelietojiet izstrādājumu ar bojātu strāvas vadu, ja tas ir nokritis vai citādi bojāts, vai ja tas nedarbojas pareizi. Nemēģiniet labot bojāto izstrādājumu paši, jo tas var izraisīt elektriskās strāvas triecienu. Bojāto ierīci vienmēr nogādājiet uz profesionālu servisa centru, lai to salabotu. Jebkurus remontdarbus drīkst veikt tikai pilnvaroti servisa speciālisti. Nepareizi veikts remonts var radīt bīstamas situācijas lietotājam.
11. Nekādā gadījumā nenovietojiet ierīci uz karstām vai siltām virsmām vai gatavošanas ierīcēm, piemēram, elektriskās cepeškrāsns vai gāzes degļa,

vai to tuvumā.

12. Nekad nelietojiet izstrādājumu degošu materiālu tuvumā.
13. Neļaujiet, lai vads karājas ārpus darba virsmas malas.
14. Ja ierīce ir pārpildīta, no tās var izšļakstīties verdošs ūdens.
15. Nekad nenovirziet tvaika tīrītāju uz sevi, citiem cilvēkiem, dzīvniekiem vai elektroierīcēm, piemēram, cepeškrāsni.
16. Ierīci drīkst lietot tikai ar oriģinālajiem piederumiem.
17. Neaizsprostojiet ierīces atveres un neielieciet atverēs nekādus priekšmetus.
18. Nenovirziet ierīci vairāk par 45 grādiem. Ierīce ir konstruēta darbam vertikālā stāvoklī.
19. Pirms ielejat tajā ūdeni, atvienojiet ierīci no elektrotīkla.
20. Nepievienojiet ierīcē izmantotajam ūdenim nekādas vielas: atkaļķotājus, aromātiskās eļļas, tīrīšanas līdzekļus.
21. Pārliecinieties, ka ūdens tvertnes vāks ir stingri pieskrūvēts ierīcei.



BRĪDINĀJUMS: KARSTIE PARU PĀRIEDZĒJUMI Apvārīšanās briesmas

Ierīces apraksts:

1. Aizsargkrāns
2. Uzpildes atvere
3. Bloķēšanas vāciņš
4. Tvaika izvads
5. Indikatora lampiņa
6. Bērna slēdzene
7. Tvaika izlaišana
8. Strāvas kontaktdakša

Piederumi: A. Piltuve x 1 B. Mērglāze x 1 C. Dvielju komplekts x 1 D. Plakanā birste x 1 E. Lielā sprausla x 1 F. Pagarinātāja šūtene x 1 G. Neilona birste x 1 H. Nerūsējošā tērauda birste x 1 I. Grīdas birste x 1 J. Grīdas birstes savienotājs x 1 K. Pagarināšanas caurule x 3 L. Grīdas birstes dvieļis x1

PIEZĪME: - Vispirms neredzamā vietā pārbaudiet, vai materiāls, kuru plānojat tīrīt, ir piemērots tvaika tīrīšanai, piem:

Tvaiks var izraisīt lakota koka vai ādas izbalēšanu.

Neaizsargāta koksne var uzbriest.

Tvaiks var noņemt aizsargājošos vaska slāņus.

Tvaika iedarbībā plastmasa var iekrāsoties.

Tvaika ietekmē var deformēties mīkstas plastmasas.

Auksts stikls vai spoguļvirsmas karstā tvaika iedarbībā var saplaisāt.

- Tvaika tīrītāju nekad nepildiet ar šķidrumiem, izņemot ūdeni.
- Nekādā gadījumā neielieciet tvaika tīrītāju vai atsevišķas tā daļas trauku mazgājamajā mašīnā. Tās varētu tikt bojātas.
- Pārtrauciet tvaika tīrītāja lietošanu, ja tā plastmasas daļās ir plaisas, bojājumi vai deformācijas. Bojātās daļas nomainiet tikai ar piemērotām oriģinālajām rezerves daļām.
- Nelietojiet tvaika tīrītāju ar tukšu tvertni. Kad ūdens tvertne ir iztukšota, izvelciet tīkla kontaktdakšu, lai izvairītos no pārkaršanas.
- Ja vēlaties tīrīt logus, vispirms tos sasildiet, piemēram, uzliekot tvaiku uz lielāku laukumu no lielāka attāluma un pēc tam no

tuvāka attāluma.

- Mēģinot noņemt kaitīgās vielas, jālieto cimdi, aizsargbrilles un elpošanas ceļu aizsarglīdzekļi.

Pirms pirmās lietošanas reizes:

Noņemiet no ierīces visus iepakojuma materiālus un uzlīmes. Notīriet ierīci ar tīru un mitru drānu. Atveriet ierīci, pagriežot drošības uzgriezni (1) uz kreiso pusi. Piepildiet ierīci ar ūdeni un izlejiet ūdeni. Tādējādi no ierīces iekšpuses tiks noņemti visi atlikumi un rūpnīcas netīrumi. Pēc tam turpiniet normālu darbību.

Lietošana:

1. Uzlieciet tvaika tīrītāju uz sausas un līdzenas virsmas un atveriet drošības kontaktdakšu (1). Lai to izdarītu, stingri nospiediet vāciņu uz leju un pagriežiet to pretēji pulksteņa rādītāja virzienam.

2. Izmantojiet mērkaroti (B) un piltuvi (A), lai piepildītu ierīci ar ūdeni. Maksimālais tilpums ir 400 ml. Mēs iesakām piepildīt līdz 350 ml, lai nodrošinātu labāku veiktspēju un lielāku tvaika daudzumu. Ja tvertnē ir vairāk nekā 350 ml, pirmajās 2 lietošanas minūtēs tvaiks var saturēt nedaudz ūdens.

Īpašas piezīmes:

Lūdzu, izmantojiet tīru ūdeni (mazas cietas daļiņas var bloķēt cauruli vai izraisīt iekārtas darbības traucējumus)

Ja ūdens no krāna jūsu reģionā ir ciets vai ļoti ciets, iesakām izmantot krāna ūdens un destilēta ūdens maisījumu.

Nelejšiet mazāk par 150 ml ūdens.

3. Aizveriet vāciņu, pagriežot to pulksteņrādītāja rādītāja virzienā.

4. Ievietojiet tīkla kontaktdakšu elektrības kontaktligzdā. Sāks degt sarkana gaisma, kas norāda uz sildīšanu.

5. Kad iedegas zaļā gaisma, ierīce ir gatava lietošanai. Lūdzu, ņemiet vērā, ka sarkanā lampiņa ieslēdzas un izslēdzas darbības laikā. Lietojiet ierīci tikai tad, kad deg zaļā gaisma. Pretējā gadījumā no ierīces pilēs un šļakstīs karsts ūdens.

6. Pagriežiet bērnu slēdzeni (6) ieslēgtā stāvoklī. Pēc tam nospiediet tvaika sprūdu (7). No ierīces sāks izplūst tvaiks. Neaizmirstiet vienmēr nospiegt tvaika slēdzi (7), jo, atlaižot tvaika slēdzi (7), bērnu slēdzene (6) atgriezīsies ieslēgtā stāvoklī.

Kad esat pabeidzis darbu vai kad ūdens tvertne ir iztukšota:

Pēc darbības:

1. Atvienojiet ierīci no elektrotīkla.

2. Nospiediet tvaika sprūdu (7) un turiet to nospiestu, līdz tvaiks pārstāj izdalīties.

3. Ļaujiet ierīcei atdzist aptuveni 12-20 minūtes atkarībā no iekšpusē palikušā tvaika daudzuma.

4. Lēnām atskrūvējiet drošības vāciņu (1) un pagaidiet dažas minūtes, lai mitrums izkūtu no ierīces.

Ja tvertnē vairs nav ūdens, ierīce pārtrauks tvaika ražošanu. Ūdens ir jāpapildina. Lai to izdarītu, sekojiet tālāk aprakstītajām darbībām:

Atkārtoti uzpildiet tvertni:

1. Atvienojiet ierīci no elektrotīkla.

2. Nospiediet tvaika sprūdu (7) un turiet to nospiestu, līdz tvaiks pārstāj izdalīties.

3. Ļaujiet ierīcei atdzist aptuveni 12-20 minūtes atkarībā no iekšpusē palikušā tvaika daudzuma.

4. Lēnām atskrūvējiet drošības vāciņu (1) un pagaidiet dažas sekundes, lai atlikušais tvaiks izplūst.

5. Lēnām piepildiet tvertni ar ūdeni vai krāna ūdens un destilēta ūdens maisījumu. Pārliedziniet, ka nelejāt vairāk par 400 ml. (ieteicams 350 ml)

6. Atkal aizveriet drošības vāciņu (1).

PIEZĪME:

Tvaika tīrītājam ir aizsardzības sistēma pret pārkaršanu. Tas automātiski izslēdzas, ja tas pārkarst. Lūdzu, ņemiet vērā, ka ierīce var sabojāties, ja to pārāk daudz reižu izmanto ar tukšu tvertni. Pārliedziniet, ka tvertnē visu darbības laiku ir pietiekams ūdens daudzums.

Piederumu apraksts un izmantošana:

D. Plakanā birste

Ievietojiet lielo uzgalīti plakanās birstes iegriezumā (3C) un pagriežiet to pulksteņrādītāja virzienā, līdz atskan klikšķis (3C). Var tīrīt plakanas virsmas, piemēram, logus utt. Pēc lietošanas izņemiet plakano birsti, pagriežot to pretēji pulksteņrādītāja rādītāja virzienam.

Lai notīrītu rakstāmgaldus un krēslus, grāmatu plauktus vai gludināmās drēbes, virs plakanās birstes (3C) uzlieciet baltu dvieli.

E. Lielais uzgalis

Lielais uzgalis ir ļoti noderīgs, tīrot stūrus.

Lai to piestiprinātu, pievienojiet uzgaļa platāko galu tvaika izvadam tā, lai drošības skava aizķertos. (3B)

F. Pagarinājuma šūtene

Ja tīrīšanai paredzētajai virsmai ir grūti piekļūt, izmantojiet pagarināšanas šūteni.

Lai pievienotu šūtenes platāko galu tvaika izvadam, savienojiet tā, lai drošības skava aizķertos.

G, H. Neilona un nerūsējošā tērauda birste

Ievietojiet lielo uzgali (E) apaļās birstes (3D) iegriezumā un pagrieziet to pulksteņrādītāja virzienā, līdz atskan klikšķis (3D). Pēc lietošanas izņemiet apaļo birsti, pagriežot to pretēji pulksteņrādītāja rādītāja virzienam.

K. Pagarināšanas caurule x 3

Ja tīrīšanas zonai ir grūti piekļūt vai ierīci izmanto, lai tīrītu grīdas vai stiklu augstās vietās, to var izmantot ar pagarināšanas cauruli.

Tā darbojas šādi: pagarinātāja caurules galu pievienojiet tvaika izvadam, līdz stacionārais fiksators ir pilnībā iesprausts pagarinātāja caurules atverē (kā ar lielo uzgali 3B) un fiksēts, atskanot klikšķim, kas nozīmē, ka montāža ir pabeigta. Lūdzu, ņemiet vērā, ka pagarinātāja caurules izmantošana samazina tvaika temperatūru. Atkarībā no caurules temperatūras tvaiks, kas izplūst no sprauslas, var atšķirties.

I. Grīdas birste

Grīdas tīrīšanai izmantojiet grīdas suku.

Pievienojiet ierīcei kopā divas vai trīs pagarinājuma caurules (K). Otru pagarinātāju galu pievienojiet grīdas birstei. Nospiediet pogas birstes sānos, lai atvērtu stiprinājuma skavas, ielieciet grīdas divieli (L) atvērtajās skavās. Pēc lietošanas noņemiet divieli un pirms nākamās lietošanas nosusiniet/nomazgājiet.

Tīrīšana:

1. Pirms tīrīšanas izvelciet tīkla kontaktdakšu no kontaktligzdas.

2. Pirms uzglabāšanas ļaujiet tvaika tīrītājam atdzist.

3. Tvaika tīrītāju un piederumus noslaukiet ar mitru drānu. Ļaujiet visām daļām pilnībā nožūt.

Uzglabāšana:

Pirms uzglabāšanas visām daļām jābūt pilnīgi sausām.

- Tvaika tīrītāju vienmēr uzglabājiet sausā, tīrā un no putekļiem brīvā vietā.

- Uzglabājiet tvaika tīrītāju zem aizslēgšanas, novietojiet to tā, lai ierīce nebūtu pieejama bērniem.

Problēmu novēršana

Problēma:

No sprauslas neiziet tvaiks

Cēlonis: kontaktdakša nav ievietota elektrotīkla kontaktligzdā

Risinājums: Iespraust ierīci elektrotīkla kontaktligzdā

Cēlonis: tvertnē nav ūdens.

Risinājums: Ielejiet tvertnē ūdeni.

Cēloņi: Tvaika poga nav nospiesta.

Risinājums: Atbrīvojiet bērnu piekļuves slēdzeni un nospiediet tvaika pogu.

Problēma:

Degas tikai zaļā gaismā. Sarkanā lampiņa neieslēdzas.

Cēlonis: Pārdegusi gaismā.

Risinājums: Konsultējieties ar centrālo dienestu.

Problēma:

Sarkanā lampiņa vienmēr deg, bet zaļā lampiņa nedeg.

Cēlonis: Bojātas iekšējās elektriskās detaļas vai bojāts termostats.

Risinājums: Konsultējieties ar centrālo servisa nodaļu.

Problēma:

Mirgojoša sarkana gaismā.

Cēlonis: ūdens trūkums vai slikts tīkla savienojums.

Risinājums: Pārbaudiet, vai ierīce ir pareizi un pilnībā pieslēgta elektrotīklam. Pievienojiet ūdeni. Ja mirgošana joprojām parādās, sazinieties ar centrālo dienestu.

Problēma:

Ūdens izplūst no sprauslas.

Cēloņi: ilgstoši nav lietots, un tvaiks uzgali/aprīkojumā kondensējas.

Risinājums: Normāla parādība. Nospiediet tvaika atbrīvošanas pogu uz 2 sekundēm.

Ja ierīce joprojām izspiež ūdeni no sprauslas, ierīcē ir pārāk daudz ūdens.
Ja pēc ilgākas lietošanas no sprauslas izplūst nekarsēts ūdens, sazinieties ar centrālo servisu.

Citas problēmas:

Tvaiks izplūst no ierīces no citām vietām, nevis no tvaika sprauslas.

Plastmasas deformācija vai mīkstināšanās.

Pēc ierīces iztukšošanas vai tvaika izlaišanas drošības vāciņu (1) joprojām nevar atvērt.

Risinājums: Sazinieties ar centrālo servisu.

Tehniskie dati:

Spriegums: 220-240 V~ 50/60 Hz

Ietilpība: 400 ml

Jauda: 1200 W

Maksimālā jauda: 2000 W



Vides aizsardzībai. Kartona iepakojums un polietilēna (PE) maisiņi jāizmet atbilstošos konteineros, kas paredzēti sadzīves atkritumu dalītai savākšanai atbilstoši to aprakstam. Ja ierīcē ir baterijas, tās ir jāizņem un jāiznīcina atsevišķi savākšanas un uzglabāšanas vietā. Izlietotā ierīce jānogādā piemērotā savākšanas un uzglabāšanas vietā, jo tajā esošās bīstamās vielas var apdraudēt veselību un vidi. Uz izstrādājuma esošais marķējums norāda, ka ierīci nedrīkst izmest sadzīves atkritumu konteinerā. Elektrisko iekārtu atkritumi ir atkritumi, kas satur cilvēkiem, dzīvniekiem un videi kaitīgas vielas. Šīs vielas var piesārņot augsni, ūdeni vai gaisu, un caur to tās var nokļūt cilvēka organismā un izraisīt virkni veselības problēmu, piemēram, redzes, dzirdes, runas traucējumus, var arī bojāt nieres, aknas un sirdi, kā arī izraisīt ādas slimības. Kaitīgas vielas var nelabvēlīgi ietekmēt arī elpošanas un reproduktīvo sistēmu un izraisīt vēža izmaiņas. Augu, kas aug uz skartās augsnes, un no tiem ražotu produktu lietošana uzturā var izraisīt iepriekš minēto ietekmi uz veselību. **Neizmetiet iekārtas sadzīves atkritumu tvērtne!**



Pakalpojums Ja vēlaties iegādāties rezerves daļas vai jums ir kādas sūdzības, lūdzu, sazinieties ar sazinieties tieši ar tirgotāju, kas izdevis čeku.

Kasutusjuhend (ET)

OHUTUSTINGIMUSED

OLULISED OHUTUSJUHISED KASUTAMISEKS

PALUN LUGEGE HOOLIKALT LÄBI JA SÄILITAGE EDASPIDISEKS KASUTAMISEKS

Garantiitingimused on erinevad, kui seadet kasutatakse kaubanduslikel eesmärkidel.

1. Palun lugege hoolikalt järgmisi juhiseid ja järgige neid alati enne toote kasutamist. Tootja ei vastuta väärkasutamisest põhjustatud kahjustuste eest.

2. Toodet tohib kasutada ainult siseruumides. Ärge kasutage toodet selle kasutamisega kokkusobimatul eesmärgil.

3. Kasutatav pinge on 230V, ~50Hz. Ohutuse tagamiseks ärge ühendage ühte pistikupessa mitu seadet.

4. Olge ettevaatlik, kui kasutate koos lastega. Ärge lubage lastel tootega mängida. Ärge lubage lastel või kellelgi, kes ei ole seadet tundnud, seda järelevalveta kasutada.

5. HOIATUS: Seda seadet võivad kasutada ainult üle 8-aastased lapsed ja piiratud füüsiliste, sensoorsete või vaimsete võimetega isikud või isikud, kellel puuduvad kogemused või teadmised seadme kohta, nende ohutuse eest vastutava isiku järelevalve all või kui neid on õpetatud seadme ohutuks kasutamiseks ja nad on teadlikud selle kasutamisega seotud ohtudest. Lapsed ei tohi seadmega mängida. Lapsed ei tohi seadet puhastada ega hooldada, kui nad ei ole vähemalt 8-aastased ja kui neid toiminguid ei tehta järelevalve all.
6. Kui olete toote kasutamise lõpetanud, ärge unustage alati, et eemaldate pistiku ettevaatlikult pistikupesast, hoides pistikupesast käega kinni. Ärge kunagi tõmmake toitejuhtmest!!!
7. Ärge kunagi jätke toodet järelevalveta vooluvõrku ühendatud. Isegi kui kasutamine on lühiajaliselt katkestatud, lülitage seade vooluvõrgust välja, ühendage vooluvõrk lahti.
8. Ärge kunagi pange toitejuhet, pistikut või kogu seadet vette. Ärge kunagi pange toodet välja ilmastikutingimustele, nagu otsene päikesevalgus, vihm jne. Ärge kunagi kasutage toodet niisketes tingimustes.
9. Kontrollige regulaarselt toitejuhtme seisundit. Kui toitejuhe on kahjustatud, viige toode ohtlike olukordade vältimiseks väljavahetamiseks professionaalsesse teeninduskeskusesse.
10. Ärge kunagi kasutage toodet kahjustatud toitejuhtmega või kui see on maha kukkunud või muul viisil kahjustatud või kui see ei tööta korralikult. Ärge püüdke defektset toodet ise parandada, sest see võib põhjustada elektrilöögi. Saatke defektne seade alati remondiks professionaalsesse teeninduskeskusesse. Igasuguseid parandusi tohivad teostada ainult volitatud hooldustehnikud. Vääralt teostatud remonditööd võivad põhjustada kasutajale ohtlikke olukordi.
11. Ärge kunagi asetage seadet kuumale või soojale pinnale või kuumale pinnale või selle lähedusse või toiduvalmistamisseadmetele, nagu näiteks elektriahi või gaasipõleti.
12. Ärge kunagi kasutage toodet põlevate materjalide lähedal.
13. Ärge laske juhtmel rippuda tööpinna servast.
14. Kui seade on üle täidetud, võib keev vesi välja pritsida.

15. Ärge kunagi suunake aurupuhastit enda, teiste inimeste, loomade või elektriseadmete, nt: ahjude vastu .
16. Seadet tohib kasutada ainult koos originaaltarvikutega.
17. Ärge blokeerige seadme avasid ega pange avadesse mingeid esemeid.
18. Ärge kallutage seadet rohkem kui 45 kraadi. Seade on konstrueeritud töötamiseks püstises asendis.
19. Enne vee valamist tõmmake masin välja vooluvõrgust.
20. Ärge lisage seadmes kasutatavale veele mingeid aineid: katlakivieemaldajaid, aromaatsaid õlisid, puhastusvahendeid.
21. Veenduge, et veepaagi kaas oleks kindlalt seadme külge keeratud.



HOIATUS: KUUM AUR Kuum auru Keemistumise oht

Seadme kirjeldus:

1. Ohutuskraan: Ohutuskraan 2. Täiteava 3. Lukustuskorki 4. Auru väljalaskeava
5. Indikaatorlamp 6. Lastelukk 7. Auru väljalaskmine 8. Pistikupesa

Lisatarvikud: A. Trummel × 1 B. Mõõteklaas × 1 C. Rätikukomplekt × 1 D. Lamehari × 1 E. Suur pihusti × 1 F. Pikendusvoolik × 1
G. Nailonhari x 1 H. Roostevabast terasest hari x 1 I. Põrandahari x 1 J. Põrandaharja pistikupesa x1 K. Pikendustoru x 3 L.
Põrandaharja rätik x1

MÄRKUS: - Kontrollige esmalt nähtamatus kohas, kas materjal, mida kavatsete puhastada, sobib aurupuhastuseks, nt: Aur võib põhjustada lakitud puidu või naha tuhmumist.

Kaitsmata puit võib paisuda.

Aur võib eemaldada kaitsvad vahakihtide kattekihid.

Plastid võivad auruga kokku puutudes värvuda.

Pehmed plastid võivad auru mõjul deformeeruda.

Külm klaas või peegelpinnad võivad kuuma auruga kokku puutudes praguneda.

- Ärge kunagi täitke aurupuhastit muude vedelikega peale vee.

- Ärge pange aurupuhastit ega üksikuid osi mingil juhul nõudepesumasinasse. Need saaksid kahjustada.

- Lõpetage aurupuhasti kasutamine, kui selle plastosad näitavad pragusid, kahjustusi või on deformeerunud. Asendage kahjustatud osad ainult sobivate originaalvaruosadega.

- Ärge kasutage aurupuhastit tühja paagiga. Kui veepaak on tühi, tõmmake võrgupistik välja, et vältida ülekuumenemist.

- Kui soovite aknaid puhastada, soojendage neid esmalt, nt rakendades auru suuremalt ja seejärel lähemalt.

- Kandke kindaid, kaitseprille ja hingamisteede kaitsevahendeid, kui püüate eemaldada kahjulikke aineid.

Enne esimest kasutamist:

Eemaldage seadmelt kõik pakkematerjalid ja kleebised. Puhastage seade puhta ja niiske lapiga. Avage seade, keerates turvamutrit (1) vasakule. Täitke seade veega ja valage vesi välja. See eemaldab seadme seest kõik jäägid ja tehase mustuse. Seejärel jätkake tavapärast tööd.

Kasutamine:

1. Asetage aurupuhasti kuivale ja tasasele pinnale ning avage turvapistik (1). Selleks vajutage kork kindlalt alla ja keerake seda vastupäeva.
 2. Kasutage mõõteklaasi (B) ja nõelu (A), et seadet veega täita. Maksimaalne mahutavus on 400 ml. Parema jõudluse ja suurema aurutootmise tagamiseks soovime täita 350 ml. Kui paagis on rohkem kui 350 ml, võib auru olla esimese 2 minuti jooksul veidi vett.
- Erimärkused:
- Palun kasutage puhast vett (väikesed tahked osakesed võivad toru ummistada või põhjustada masina rikkeid)
Kui teie piirkonna kraanivesi on kõva või väga kõva, soovime kasutada kraanivee ja destilleeritud vee segu.
Palun ärge valage vähem kui 150 ml vett.
 3. Sulgege kork, keerates seda päripäeva.
 4. Sisestage võrgupistik pistikupessa. Punane tuli süttib kuumutamistest märku andes.
 5. Kui roheline tuli süttib, on seade kasutusvalmis. Pange tähele, et punane tuli lülitub töö ajal sisse ja välja. Palun kasutage seadet ainult siis, kui roheline tuli põleb. Vastasel juhul tilgub ja pritsib seadmest kuumat vett.
 6. Keerake lapselukk (6) sisse lülitatud asendisse. Seejärel vajutage auru päästikule (7). Auru hakkab seadmest välja tulema. Pidage meeles, et vajutate alati auruklahvi (7), kui te lasete auruklahvi (7) lahti, läheb lastelukk (6) tagasi väljalülitatud asendisse.

Kui olete töö lõpetanud või kui veepaak on tühjendatud:

Pärast töötamist:

1. Ühendage seade vooluvõrgust lahti.
 2. Vajutage auru päästikule (7) ja hoidke seda all, kuni auru tootmine peatub.
 3. Laske seadmel jahtuda umbes 12-20 minutit, sõltuvalt sellest, kui palju auru on veel sees.
 4. Keerake kaitsekork (1) aeglaselt lahti ja oodake mõned minutid, et niiskus seadmest väljuks.
- Kui paagis ei ole enam vett, lõpetab seade aurutootmise. Vett tuleb täiendada. Selleks järgige alljärgnevat samme:

Täitke paak uuesti:

1. Ühendage seade vooluvõrgust lahti.
2. Vajutage auru päästikut (7) ja hoidke seda all, kuni auru tootmine peatub.
3. Laske seadmel jahtuda umbes 12-20 minutit, sõltuvalt sellest, kui palju auru on veel sees.
4. Keerake kaitsekork (1) aeglaselt lahti ja oodake paar sekundit, kuni järelejäänud aur väljub.
5. Täitke paak aeglaselt veega või kraanivee ja destilleeritud vee seguga. Veenduge, et te ei valage rohkem kui 400 ml. (soovitatakse 350 ml)
6. Sulgege uuesti turvakork (1).

MÄRKUS:

Aurupuhastil on ülekuumenemiskaitsesüsteem. Ülekuumenemise korral lülitub see automaatselt välja. Pange tähele, et seade võib laguneda, kui seda kasutatakse liiga palju kordiühja paagiga. Veenduge, et paagis oleks töö ajal alati piisavalt vett.

Lisatarvikute kirjeldus ja kasutamine:

D. Lameharja

Sisestage suur otsik lameharja (3C) süvendisse ja keerake seda päripäeva, kuni kuulete klõpsatust (3C). Saab puhastada tasaseid pindu, näiteks aknaid jne. Pärast kasutamist eemaldage lamedat harja, keerates seda vastupäeva. Laudade ja toolide, raamaturiulite või triikimisriiete puhastamiseks asetage valge rätik lamedale harjale (3C).

E. Suur pihusti

Suur otsik on kasulik nurkade puhastamiseks.

Kinnitamiseks ühendage otsaku laiemi ots auruväljundi külge nii, et turvaklamber klapib sisse. (3B)

F. Pikendusvoolik

Kui puhastatavale pinnale on raske ligi pääseda, kasutage pikendusvoolikut.

Vooliku laiema otsa kinnitamiseks auruväljundi külge ühendage see nii, et turvaklamber klapib sisse.

G, H. Nailonist ja roostevabast terasest hari

Sisestage suur otsik (E) ümmarguse harja (3D) süvendisse ja keerake seda päripäeva, kuni kuulete klõpsatust (3D). Pärast kasutamist eemaldage ümmargune hari, keerates seda vastupäeva.

K. Pikendustoru x 3

Kui puhastusala on raskesti ligipääsetav või seadet kasutatakse põrandate või klaaside puhastamiseks kõrgel asuvatel kohtadel, võib seda kasutada koos pikendustoriga. See toimib järgmiselt: ühendage pikendustoru ots auru väljalaskeava külge, kuni stantsionaarne lukk on täielikult pikendustoru avausse klõpsatud (nagu suure pihusti 3B puhul) ja lukustub klõpsatusega, mis näitab, et kokkupanek on lõpetatud. Pange tähele, et pikendustoru kasutamine vähendab auru temperatuuri. Sõltuvalt toru temperatuurist võib pihustist väljuv auru olla erinev.

I. Põrandahari

Kasutage põranda puhastamiseks põrandaharja.

Ühendage kaks või kolm pikendustoru (K) seadmega kokku. Kinnitage pikendustorude teine ots põrandaharja külge.

Kinnitusklambrite avamiseks vajutage harja külgedel olevatele nuppudele, sisestage põrandarätik (L) avatud klambritesse.

Eemaldage rätik pärast kasutamist ja kuivatage/peske enne järgmist kasutamist.

Puhastamine:

1. Enne puhastamist tõmmake võrgupistik pistikupesast välja.

2. Laske aurupuhastil enne hoiustamist jahtuda.

3. Pühkige aurupuhasti ja tarvikud niiske lapiga. Laske kõigil osadel täielikult kuivada.

Säilitamine:

Kõik osad peavad enne ladustamist olema täiesti kuivad.

- Hoidke aurupuhastit alati kuivas, puhtas ja tolmuvabas kohas.

- Hoiustage aurupuhastit lukustatult, paigutage see nii, et seade oleks lastele kättesaamatu.

Veaotsing

Probleem:

Auru ei tule pihustist välja

Põhjus: Pistik ei ole sisestatud võrgupistikupesasse

Lahendus: Ühendage seade vooluvõrku

Põhjus: Paagis ei ole vett.

Lahendus: Valage paaki vett.

Põhjus: Aurunuppu ei ole vajutatud.

Lahendus: Vabastage lapse juurdepääsulukk ja vajutage aurunuppu.

Probleem:

Ainult roheline tuli põleb. Punane tuli ei põle.

Põhjus: Valgus on läbi põlenud.

Lahendus: Konsulterige keskkeenindusega.

Probleem:

Punane tuli põleb alati, roheline tuli ei põle.

Põhjus: Rikkis sisemised elektrilised osad või katkine termostaat.

Lahendus: Konsulterige keskkeenindusega.

Probleem:

Punase tule vilkumine.

Põhjus: Veepuudus või halb võrguühendus.

Lahendus: Kontrollige, kas seade on õigesti ühendatud ja täielikult vooluvõrku ühendatud. Lisage vett. Kui vilkumine jätkub, võtke ühendust keskkeenindusega.

Probleem:

Düüsisist tuleb vett välja.

Põhjus: Ei ole pikka aega kasutatud ja aur pihustis/lisaseadmetes kondenseerub.

Lahendus: Tavaline nähtus. Vajutage 2 sekundiks auruvabastuse nuppu.

Kui seade sülitab ikka veel düüsisist vett välja, on seadmes liiga palju vett.

Kui pärast pikemaajalist kasutamist tuleb pihustist välja mittekõrvaldunud vesi, võtke ühendust keskkeenindusega.

Muud probleemid:

Auru väljumine seadmest muudest kohtadest kui aurupihustist.

Plastiku deformeerumine või pehmenemine.

Pärast seadme tühjendamist või auru väljalaskmist ei saa turvakorki (1) ikka veel avada.

Lahendus: Võtke ühendust keskkeenindusega.

Tehnilised andmed:

Pinge: 220-240V~ 50/60 Hz

Mahutavus: 400 ml
Võimsus: 1200W
Maksimaalne võimsus: 2000W



Keskkonna huvides. Pappkendid ja polüetüleenkotid (PE) tuleb vastavalt nende kirjeldusele visata asjakohasesse konteineritesse olmejäätmete eraldi kogumiseks. Kui seadmes on patareid, tuleb need eemaldada ja eraldi kogumis- ja ladustamiskohas ära visata. Kasutatud seade tuleb viia sobivasse kogumis- ja ladustamisasutusse, kuna selles sisalduvad ohtlikud ained võivad kujutada endast ohtu tervisele ja keskkonnale. Tootel olev mürgistus näitab, et seadet ei tohi kõrvaldada olmejäätmete konteinerisse. Elektrijäätmed on jäätmed, mis sisalduvad inimestele, loomadele ja keskkonnale kahjulikke aineid. Need ained võivad reostada pinnast, vett või õhku ning selle kaudu võivad nad sattuda inimkehasse ja põhjustada mitmeid terviseprobleeme, näiteks nägemis-, kuulmis- ja kõnepuudulikkust, võivad kahjustada ka neerusid, maksa ja südant ning põhjustada nahahaigusi. Kahjulikud ained võivad avaldada kahjulikku mõju ka hingamis- ja reproduktiivsüsteemile ning põhjustada vähksooja muutusi. Mõjutatud muldadeel kasvavate taimede ja neist valmistatud toodete tarbimine võib põhjustada eespool nimetatud tervisemõjusid. **Ärge visake seadmeid olmejäätmete prügikasti!**



Teenindus Kui soovite osta varuosasid või kui teil on kaebusi, siis palun võtke ühendust võtke otse ühendust edasimüüjaga, kes väljastas kvitungi.

Használati útmutató (HU)

BIZTONSÁGI FELTÉTELEK FONTOS BIZTONSÁGI UTASÍTÁSOK A HASZNÁLATHOZ KÉRJÜK, OLVASSA EL FIGYELMESEN ÉS ŐRIZZE MEG A KÉSŐBBI HASZNÁLATRA

A garanciális feltételek eltérőek, ha a készüléket kereskedelmi célokra használják.

1. Kérjük, olvassa el figyelmesen az alábbi utasításokat, és a termék használata előtt mindig tartsa be azokat. A gyártó nem vállal felelősséget a helytelen használatból eredő károkért.
2. A termék csak beltérben használható. Ne használja a terméket a rendeltetésével összeférhetetlen célokra.
3. Az alkalmazandó feszültség 230V, ~50Hz. Biztonsági okokból ne csatlakoztasson több készüléket egy konnektorhoz.
4. Legyen óvatos, ha gyermekekkel együtt használja. Ne engedje, hogy a gyermekek játszanak a termékkel. Ne engedje, hogy gyermekek vagy a készüléket nem ismerő személyek felügyelet nélkül használják a készüléket.
5. FIGYELMEZTETÉS: Ezt a készüléket csak 8 évnél idősebb gyermekek és korlátozott fizikai, érzékszervi vagy szellemi képességekkel rendelkező személyek, illetve a készülékkel kapcsolatos tapasztalattal vagy ismeretekkel nem rendelkező személyek használhatják, a biztonságukért felelős személy felügyelete mellett, vagy ha a készülék biztonságos

használatára vonatkozóan eligazítást kaptak, és tisztában vannak a készülék működésével kapcsolatos veszélyekkel. Gyermek nem játszhat a készülékkel. A készülék tisztítását és karbantartását gyermekek csak akkor végezhetik, ha legalább 8 évesek, és ezeket a műveleteket felügyelet mellett végzik.

6. Amikor befejezte a termék használatát, ne felejtse el mindig óvatosan kihúzni a dugót a konnektorból úgy, hogy a kezével megfogja a konnektort. Soha ne húzza meg a tápkábelt!!!

7. Soha ne hagyja a terméket felügyelet nélkül áramforráshoz csatlakoztatva. Még ha a használat rövid időre meg is szakad, kapcsolja ki a hálózathoz, húzza ki a tápegységet.

8. Soha ne tegye a tápkábelt, a dugót vagy az egész készüléket vízbe. Soha ne tegye ki a terméket időjárási körülményeknek, például közvetlen napfénynek, esőnek stb. Soha ne használja a terméket nedves körülmények között.

9. Rendszeresen ellenőrizze a tápkábel állapotát. Ha a tápkábel megsérült, a veszélyes helyzetek elkerülése érdekében vigye a terméket egy szakszervizbe cseréire.

10. Soha ne használja a terméket sérült tápkábellel, vagy ha leejtették, vagy más módon megsérült, illetve ha nem működik megfelelően. Ne próbálja meg saját maga megjavítani a meghibásodott terméket, mert ez áramütéshez vezethet. A meghibásodott készüléket javítás céljából mindig vigye el egy szakszervizbe. Bármilyen javítást csak erre felhatalmazott szerviztechnikusok végezhetnek. A helytelenül elvégzett javítások veszélyes helyzeteket eredményezhetnek a felhasználó számára.

11. Soha ne helyezze a készüléket forró vagy meleg felületekre, illetve forró vagy meleg felületek vagy főzőkészülékek, például elektromos sütő vagy gázégő közelébe.

12. Soha ne használja a terméket éghető anyagok közelében.

13. Ne hagyja, hogy a kábel lelógjon a munkalap széléről.

14. Ha a készüléket túltöltik, forró víz spriccelhet ki.

15. Soha ne irányítsa a gőztisztítót saját magára, más emberekre, állatokra vagy elektromos készülékekre, pl.: sütőkre .

16. A készüléket csak eredeti tartozékokkal együtt szabad használni.
17. Ne tömítse el a készülék nyílásait, és ne helyezzen semmilyen tárgyat a nyílásokba.
18. Ne döntse meg a készüléket 45 foknál nagyobb mértékben. A gépet úgy tervezték, hogy függőleges helyzetben működjön.
19. Húzza ki a gépet a konnektorból, mielőtt vizet öntene bele.
20. Ne adjon semmilyen anyagot a készülékben használt vízhez: vízkőoldók, aromaolajok, tisztítószerek.
21. Győződjön meg róla, hogy a víztartály fedele szilárdan rá van csavarozva a készülékre.



FIGYELMEZTETÉS: FORRÓ GŐZ A leforrázás veszélye

A készülék leírása:

1. Biztonsági kakas
2. Töltőnyílás
3. Záró kupak
4. Gőzkivezetés
5. Jelzőlámpa
6. Gyermekezár
7. Gőzkioldó
8. Csatlakozódugó

Tartozékok: A. Tölcsér × 1 B. Mérőpohár × 1 C. Törölközőkészlet × 1 D. Lapos kefe × 1 E. Nagy fűvóka × 1 F. Hosszabbító tömlő × 1 G. Nylon kefe × 1 H. Rozsdamentes acél kefe × 1 I. Padlókefe × 1 J. Padlókefe csatlakozó x1 K. Hosszabbítócső x 3 L. Padlókefe törölkendő x1

MEGJEGYZÉS: - Először ellenőrizze egy nem látható helyen, hogy a tisztítani kívánt anyag alkalmas-e gőztisztításra, pl:

A gőz a lakkozott fa vagy bőr kifakulását okozhatja.

A nem védett fa megduzzadhat.

A gőz eltávolíthatja a viasz védőrétegét.

A műanyagok elszíneződhetnek, ha gőznek vannak kitéve.

A puha műanyagok a gőz hatására deformálódhatnak.

A hideg üveg vagy tükörfelületek megrepedhetnek, ha forró gőznek vannak kitéve.

- Soha ne töltse a gőztisztítót vízen kívül más folyadékkal.

- Semmilyen körülmények között ne tegye a gőztisztítót vagy annak egyes részeit a mosogatógépbe. Ezek megsérülhetnek.

- Ne használja tovább a gőztisztítót, ha a műanyag alkatrészei repedéseket, sérüléseket mutatnak, vagy deformálódnak. A sérült alkatrészeket csak megfelelő eredeti pótalkatrészekkel cserélje ki.

- Ne használja a gőztisztítót üres tartállyal. Ha a víztartály kimerült, a túlmelegedés elkerülése érdekében húzza ki a hálózati dugót.

- Ha ablakokat kíván tisztítani, először melegítse fel azokat, pl. úgy, hogy nagyobb távolságból, majd közelebről nagyobb területre alkalmazza a gőzt.

- Viseljen kesztyűt, védőszemüveget és légzésvédőt, ha káros anyagokat próbál eltávolítani.

Az első használat előtt:

Távolítson el minden csomagolóanyagot és matricát a készülékről. Tisztítsa meg a készüléket tiszta és nedves ruhával. Nyissa ki a készüléket a biztonsági anya (1) balra történő elfordításával. Töltse fel vízzel és öntse ki a vizet. Ezáltal eltávolítja a készülék belsejéből a maradékot és a gyári szennyeződések. Ezután folytassa a normál működést.

Használat:

1. Helyezze a gőztisztítót száraz és sík felületre, és nyissa ki a biztonsági dugót (1). Ehhez nyomja le erősen a kupakot, és fordítsa el az óramutató járásával ellentétes irányba.

2. A mérőpohár (B) és a tölcser (A) segítségével tölts fel a készüléket vízzel. A maximális kapacitás 400 ml. Javasoljuk, hogy a jobb teljesítmény és a nagyobb gőztermelés érdekében 350 ml-ig tölts fel. Ha 350 ml-nél több van a tartályban, a gőz a használat első 2 percében tartalmazhat némi vizet.

Különleges megjegyzések:

Kérjük, tiszta vizet használjon (a kis szilárd részecskék eltömíthetik a csövet vagy a gép meghibásodását okozhatják)

Ha az Ön területén a csapvíz kemény vagy nagyon kemény, javasoljuk, hogy csapvíz és desztillált víz keverékét használja.

Kérjük, ne öntsön 150 ml-nél kevesebb vizet.

3. Zárja le a kupakot az óramutató járásával megegyező irányba történő elfordítással.

4. Dugja be a hálózati csatlakozót egy elektromos aljzatba. A piros lámpa világítani fog a melegítés jelzésére.

5. Amikor a zöld fény kigyullad, a készülék használatra kész. Kérjük, vegye figyelembe, hogy a piros fény működés közben be- és kikapcsol. Kérjük, csak akkor használja, ha a zöld fény világít. Ellenkező esetben a készülékből forró víz csöpög és fröccsen.

6. Fordítsa a gyermekzárat (6) bekapcsolt állásba. Ezután nyomja meg a gőzkioldót (7). A készülékből gőz kezd el távozni. Ne feledje, hogy mindig nyomja meg a gőzkioldót (7), ha a gőzkioldót (7) felengedi, a gyermekzár (6) visszatér kikapcsolt állásba.

Ha befejezte a munkát, vagy ha a víztartály kiürült:

Működés után:

1. Húzza ki a készüléket a hálózathoz.

2. Nyomja meg a gőzkioldót (7), és tartsa nyomva addig, amíg a gőztermelés meg nem szűnik.

3. Hagyja a készüléket kb. 12-20 percig hűlni, attól függően, hogy mennyi gőz maradt benne.

4. Lassan csavarja le a biztonsági kupakot (1), és várjon néhány percet, amíg a nedvesség távozik a készülékből.

Ha nincs több víz a tartályban, a készülék leállítja a gőzfejlesztést. A vizet fel kell tölteni. Ehhez kövesse az alábbi lépéseket:

Tölts fel újra a tartályt:

1. Húzza ki a készüléket a hálózathoz.

2. Nyomja meg a gőzkioldót (7), és tartsa nyomva, amíg a gőztermelés meg nem szűnik.

3. Hagyja a készüléket kb. 12-20 percig hűlni, attól függően, hogy mennyi gőz maradt benne.

4. Lassan csavarja le a biztonsági kupakot (1), és várjon néhány másodpercet, amíg a maradék gőz távozik.

5. Lassan tölts fel a tartályt vízzel vagy csapvíz és desztillált víz keverékével. Ügyeljen arra, hogy ne öntsön 400 ml-nél többet. (350 ml ajánlott)

6. Zárja vissza a biztonsági kupakot (1).

MEGJEGYZÉS:

A gőztisztító túlmelegedés elleni védelmi rendszerrel rendelkezik. Túlmelegedés esetén automatikusan kikapcsol. Kérjük, vegye figyelembe, hogy a készülék tönkremehet, ha túl sokszor használja üres tartállyal. Ügyeljen arra, hogy működés közben mindig legyen elegendő víz a tartályban.

A tartozékok leírása és használata:

D. Lapos kefe

Helyezze a nagy fűvókát a lapos kefe bevágásába (3C), és forgassa az óramutató járásával megegyező irányba, amíg kattánást nem hall (3C). Sima felületek, például ablakok stb. tisztítására alkalmas. Használat után vegye ki a lapos kefét az óramutató járásával ellentétes irányban elforgatva.

Az asztalok és székek, könyvespolcok vagy vasalórúhák tisztításához helyezzen egy fehér törülközőt a lapos kefe fölé (3C).

E. Nagy fűvóka

A nagy fűvóka jól jön a sarkok tisztításakor.

A felhelyezéshez csatlakoztassa a fűvóka szélesebb végét a gőzkivezető nyíláshoz úgy, hogy a biztonsági klipsz a helyére pattanjon. (3B)

F. Hosszabbító tömlő

Ha a tisztítani kívánt felület nehezen hozzáférhető, használjon hosszabbító tömlőt.

A tömlő szélesebb végét a gőzkifolyóhoz csatlakoztatva csatlakoztassa úgy, hogy a biztonsági klipsz a helyére pattanjon.

G, H. Nylon és rozsdamentes acél kefe

Helyezze a nagy fűvókát (E) a kerek kefe (3D) bevágásába, és forgassa az óramutató járásával megegyező irányba, amíg kattánást nem hall (3D). Használat után vegye ki a kerek kefét az óramutató járásával ellentétes irányban elforgatva.

K. Hosszabbítócső x 3

Ha a tisztítási terület nehezen hozzáférhető, vagy a készüléket magasan fekvő padlók vagy üvegek tisztítására használják, akkor a hosszabbítócsővel együtt használható. Működési módja a következő: csatlakoztassa a hosszabbítócső végét a gőzkifolyóhoz, amíg az álló zár teljesen be nem csipetődik a hosszabbítócső nyílásába (mint a 3B nagy fűvókánál), és a szerelés befejezését

jelző kattanó hanggal rögzül a helyén. Kérjük, vegye figyelembe, hogy a hosszabbítócső használata csökkenti a gőz hőmérsékletét. A cső hőmérsékletétől függően a fűvókából kijövő gőz változhat.

I. Padlókefe

Használjon padlókefét a padló tisztításához.

Csatlakoztasson két vagy három hosszabbítócsövet (K) a készülékhez együtt. Csatlakoztassa a hosszabbítócsövek másik végét a padlókeféhez. Nyomja meg a kefe oldalán lévő gombokat a rögzítő bilincsek kinyitásához, helyezze a padlóterítőt (L) a nyitott bilincsekbe. Használat után vegye ki a törülközőt, és a következő használat előtt szárítsa/mosdassa meg.

Tisztítás:

1. Tisztítás előtt húzza ki a hálózati dugót a konnektorból.
2. Tárolás előtt hagyja kihűlni a gőztisztítót.
3. A gőztisztítót és tartozékait nedves ruhával törölje át. Hagyja az összes alkatrészt teljesen megszáradni.

Tárolás:

Tárolás előtt minden alkatrésznek teljesen száraznak kell lennie.

- A gőztisztítót mindig száraz, tiszta és pormentes helyen tárolja.

- A gőztisztítót zárva tárolja, úgy helyezze el, hogy a készülék ne legyen elérhető a gyermekek számára.

Hibaelhárítás

Probléma:

Nem jön gőz a fűvókából

Ok: A dugó nincs behelyezve a hálózati aljzatba

Megoldás: Dugja be a készüléket a hálózati aljzatba

Ok: Nincs víz a tartályban.

Megoldás: Öntsön vizet a tartályba.

Ok: A gőzgomb nincs lenyomva.

Megoldás: Oldja fel a gyermek hozzáférési zárat, és nyomja meg a gőzgombot.

Probléma:

Csak a zöld fény világít. A piros fény nem kapcsol be.

Ok: A lámpa kiégett.

Megoldás: Forduljon a központi szervizhez.

Probléma:

A piros lámpa mindig világít, a zöld lámpa nem világít.

Ok: Eltört belső elektromos alkatrészek vagy elromlott termosztát.

Megoldás: Forduljon a központi szervizhez.

Probléma:

Villogó piros fény.

Ok: Vízhány vagy rossz hálózati kapcsolat.

Megoldás: Ellenőrizze, hogy a készülék helyesen van-e csatlakoztatva és teljesen be van-e kötve a hálózatba. Adjon hozzá vizet.

Ha a villogás továbbra is fennáll, lépjen kapcsolatba a központi szervizzel.

Probléma:

A fűvókából víz folyik ki.

Ok: Hosszú ideig nem használták, és a fűvókában/a tartozékokban lévő gőz lecsapódik.

Megoldás: Normális jelenség. Nyomja meg a gőzkioldó gombot 2 másodpercig.

Ha a készülék továbbra is vizet köpköd a fűvókából túl sok víz van a készülékben.

Ha hosszabb használat után nem szénsavas víz jön ki a fűvókából, forduljon a központi szervizhez.

Egyéb problémák:

A készülékből a gőzfűvókán kívül máshonnan is gőz jön ki.

A műanyag deformálódása vagy lágyulása.

A készülék kiürítése vagy a gőz kiengedése után a biztonsági kupak (1) továbbra sem nyitható ki.

Megoldás: Vegye fel a kapcsolatot a központi szervizzel.

Műszaki adatok:

Feszültség: feszültség: 220-240V~ 50/60 Hz

Kapacitás: 400 ml

Teljesítmény: 1200W

Maximális teljesítmény: 2000W



A környezet védelme érdekében. A kartonsomagolást és a polietilén (PE) zsákokat a leírásuknak megfelelően a települési hulladék elkülönített gyűjtésére szolgáló megfelelő konténerekben kell elhelyezni. Ha a készülékben akkumulátorok vannak, azokat ki kell venni, és külön kell elhelyezni egy gyűjtő- és tárolóhelyen. A használt készüléket megfelelő gyűjtő- és tárolóhelyre kell szállítani, mivel a benne lévő veszélyes anyagok veszélyt jelenthetnek az egészségre és a környezetre. A terméken található jelölés jelzi, hogy a készüléket nem szabad a kommunális hulladékgyűjtő edénybe dobni. A hulladék elektromos berendezés olyan hulladék, amely az emberekre, állatokra és a környezetre káros anyagokat tartalmaz. Ezek az anyagok szennyezhetik a talajt, a vizet vagy a levegőt, és ezen keresztül bejuthatnak az emberi szervezetbe, és számos egészségügyi problémához vezethetnek, például látás-, hallás-, beszédzavarokhoz, károsíthatják a vesét, a májat és a szívet is, valamint bőrbetegségeket okozhatnak. A káros anyagok káros hatással lehetnek a légzőszervekre és a reprodukív rendszerre is, és rákos elváltozásokhoz vezethetnek. Az érintett talajokon termő növények és a belőlük készült termékek fogyasztása a fent említett egészségügyi hatásokat eredményezheti. **Ne dobja a berendezést a kommunális hulladékgyűjtőbe!**



Szerviz Ha pótalkatrészeket szeretne vásárolni, vagy bármilyen panaszra van, kérjük, forduljon a következőkhöz forduljon közvetlenül a nyugtát kiállító kereskedőhöz.

Manual de utilizare (RO)

CONDIȚII DE SIGURANȚĂ INSTRUCȚIUNI IMPORTANTE DE SIGURANȚĂ PENTRU UTILIZARE VĂ RUGĂM SĂ CITIȚI CU ATENȚIE ȘI SĂ PĂSTRAȚI PENTRU REFERINȚE VIITOARE

Condițiile de garanție sunt diferite dacă dispozitivul este utilizat în scopuri comerciale.

1. Vă rugăm să citiți cu atenție următoarele instrucțiuni și să le respectați întotdeauna înainte de a utiliza produsul. Producătorul nu este responsabil pentru orice daune cauzate de utilizarea necorespunzătoare.
2. Produsul poate fi utilizat numai în interior. Nu utilizați produsul în scopuri incompatibile cu utilizarea sa.
3. Tensiunea aplicabilă este de 230V, ~50Hz. Din motive de siguranță, nu conectați mai multe dispozitive la o singură priză electrică.
4. Aveți grijă când utilizați produsul împreună cu copiii. Nu permiteți copiilor să se joace cu produsul. Nu permiteți copiilor sau oricărei persoane care nu este familiarizată cu aparatul să îl utilizeze nesupravegheat.
5. **AVERTISMENT:** Acest aparat poate fi utilizat numai de copii cu vârsta de peste 8 ani și de persoane cu abilități fizice, senzoriale sau mentale limitate sau de persoane fără experiență sau cunoștințe despre aparat, sub supravegherea unei persoane responsabile pentru siguranța lor sau dacă

au fost instruiți cu privire la utilizarea în siguranță a aparatului și sunt conștienți de pericolele asociate cu funcționarea acestuia. Copiii nu trebuie să se joace cu aparatul. Curățarea și întreținerea aparatului nu trebuie să fie efectuate de copii decât dacă au cel puțin 8 ani și dacă aceste operațiuni sunt efectuate sub supraveghere.

6. Când ați terminat de utilizat produsul, amintiți-vă întotdeauna să scoateți ușor ștecherul din priză ținând priza cu mâna. Nu trageți niciodată de cablul de alimentare!!!

7. Nu lăsați niciodată nesupravegheat produsul conectat la o sursă de alimentare. Chiar dacă utilizarea este întreruptă pentru scurt timp, opriți-l de la rețea, deconectați sursa de alimentare.

8. Nu introduceți niciodată cablul de alimentare, fișa sau întregul aparat în apă. Nu expuneți niciodată produsul la condițiile meteorologice, cum ar fi lumina directă a soarelui, ploaie etc. Nu utilizați niciodată produsul în condiții de umezeală.

9. Verificați periodic starea cablului de alimentare. Dacă cablul de alimentare este deteriorat, duceți produsul la un centru de service profesional pentru înlocuire, pentru a evita situațiile periculoase.

10. Nu utilizați niciodată produsul cu un cablu de alimentare deteriorat sau dacă acesta a fost scăpat sau deteriorat în alt mod, sau dacă nu funcționează corect. Nu încercați să reparați singur un produs defect, deoarece acest lucru poate duce la un șoc electric. Duceți întotdeauna unitatea defectă la un centru de service profesionist pentru reparații. Orice reparație trebuie efectuată numai de către tehnicieni de service autorizați. Reparațiile efectuate incorect pot duce la situații periculoase pentru utilizator.

11. Nu așezați niciodată produsul pe sau lângă suprafețe fierbinți sau calde sau aparate de gătit, cum ar fi un cuptor electric sau un arzător cu gaz.

12. Nu utilizați niciodată produsul în apropierea materialelor combustibile.

13. Nu lăsați cablul să atârne de marginea blatului.

14. Dacă aparatul este prea plin, apa clocotită poate fi pulverizată.

15. Nu îndreptați niciodată aparatul de curățat cu aburi spre

dumneavoastră, alte persoane, animale sau aparate electrice, de exemplu: cuptoare .

16. Puteți utiliza aparatul numai cu accesorii originale.

17. Nu blocați orificiile aparatului și nu introduceți niciun obiect în orificii.

18. Nu înclinați aparatul mai mult de 45 de grade. Aparatul a fost proiectat să funcționeze în poziție verticală.

19. Scoateți aparatul din priză înainte de a turna apă în el.

20. Nu adăugați nicio substanță în apa utilizată în aparat: detartranți, uleiuri aromatice, agenți de curățare.

21. Asigurați-vă că capacul rezervorului de apă este bine înșurubat pe aparat.



AVERTISMENT: VAPOR ÎNCĂLZIT Pericol de scaldare

Descrierea aparatului:

1. Robinet de siguranță 2. Orificiu de umplere 3. Capac de blocare 4. Ieșire abur
5. Indicator luminos 6. Încuietoare pentru copii 7. Eliberarea aburului 8. Ștecher de alimentare

Accesorii: A. Pâlnie × 1 B. Pahar de măsurare × 1 C. Set de prosoape × 1 D. Perie plată × 1 E. Duză mare × 1 F. Furtun prelungitor × 1 G. Perie din nailon × 1 H. Perie din oțel inoxidabil × 1 I. Perie de podea × 1 J. Conector perie de podea × 1 K. Tub de extensie × 3 L. Prosop pentru peria de pardoseală × 1

NOTĂ: - Verificați mai întâi într-o zonă nevăzută dacă materialul pe care intenționați să îl curățați este potrivit pentru curățarea cu abur, cum ar fi:

Aburul poate provoca decolorarea lemnului sau a pielii lăcuite.

Lemnul neprotejat se poate umfla.

Aburul poate îndepărta straturile protectoare de ceară.

Materialele plastice se pot colora atunci când sunt expuse la abur.

Plasticele moi se pot deforma sub influența aburului.

Sticla rece sau suprafețele oglinzite se pot fisura atunci când sunt expuse la aburi fierbinți.

- Nu umpleți niciodată aparatul de curățat cu abur cu alte lichide decât apă.

- În niciun caz nu puneți curățătorul cu aburi sau piesele individuale în mașina de spălat vase. Acestea ar fi deteriorate.

- Nu mai utilizați aparatul de curățat cu aburi dacă piesele sale din plastic prezintă fisuri, deteriorări sau sunt deformată. Înlocuiți piesele deteriorate numai cu piese de schimb originale adecvate.

- Nu utilizați aparatul de curățat cu aburi cu rezervorul gol. Când rezervorul de apă este epuizat, scoateți ștecherul de la rețea pentru a evita supraîncălzirea.

- Atunci când doriți să curățați ferestrele, încălziți-le mai întâi, de exemplu prin aplicarea aburului pe o suprafață mai mare de la o distanță mai mare și apoi de la o distanță mai mică.

- Purtați mănuși, ochelari de protecție și protecție respiratorie atunci când încercați să îndepărtați substanțe nocive.

Înainte de prima utilizare:

Îndepărtați toate materialele de ambalare și autocolantele de pe unitate. Curățați aparatul cu o cârpă curată și umedă. Deschideți

aparatur prin rotirea piuliței de siguranță (1) spre stânga. Umpleți cu apă și turnați apa. Acest lucru va îndepărta orice reziduu și murdărie de fabrică din interiorul aparatului. Apoi continuați funcționarea normală.

Utilizare:

1. Așezați aparatul de curățat cu aburi pe o suprafață uscată și plană și deschideți dopul de siguranță (1). Pentru a face acest lucru, apăsați ferm capacul în jos și rotiți-l în sens antiorar.
2. Utilizați paharul de măsurare (B) și pâlnia (A) pentru a umple aparatul cu apă. Capacitatea maximă este de 400 ml. Vă sugerăm să umpleți până la 350 ml pentru o performanță mai bună și o producție mai mare de abur. Dacă există mai mult de 350 ml în rezervor, aburul poate conține puțină apă în primele 2 minute de utilizare.

Note speciale:

Vă rugăm să utilizați apă curată (particulele solide mici pot bloca conducta sau pot cauza defectarea aparatului)

Dacă apa de la robinet din zona dvs. este dură sau foarte dură, vă sugerăm să utilizați un amestec de apă de la robinet și apă distilată.

Vă rugăm să nu turnați mai puțin de 150 ml de apă.

3. Închideți capacul rotindu-l în sensul acelor de ceasornic.

4. Introduceți fișa de alimentare într-o priză electrică. O lumină roșie se va aprinde pentru a indica încălzirea.

5. Când se aprinde lumina verde, aparatul este gata de utilizare. Vă rugăm să rețineți că lumina roșie se va aprinde și stinge în timpul funcționării. Vă rugăm să utilizați aparatul numai atunci când lumina verde este aprinsă. În caz contrar, apa fierbinte va picura și va stropi din aparat.

6. Rotiți siguranța pentru copii (6) în poziția pornit. Apoi apăsați declanșatorul de abur (7). Aburul va începe să iasă din aparat. Nu uitați să apăsați întotdeauna declanșatorul de abur (7), când eliberați declanșatorul de abur (7), siguranța pentru copii (6) va reveni în poziția oprit.

Când ați terminat lucrul sau când rezervorul de apă a fost golit:

După funcționare:

1. Deconectați aparatul de la rețeaua de alimentare.

2. Apăsați declanșatorul de abur (7) și mențineți-l apăsat până când aburul nu se mai produce.

3. Lăsați aparatul să se răcească timp de aproximativ 12-20 de minute, în funcție de cantitatea de abur rămasă în interior.

4. Desurubați încet capacul de siguranță (1) și așteptați câteva minute pentru ca umiditatea să iasă din aparat.

Dacă nu mai există apă în rezervor, aparatul nu va mai produce abur. Apa trebuie să fie completată. Pentru a face acest lucru, urmați pașii de mai jos:

Reumpleți rezervorul:

1. Deconectați aparatul de la rețeaua de alimentare.

2. Apăsați declanșatorul de abur (7) și mențineți-l apăsat până când aburul nu se mai produce.

3. Lăsați aparatul să se răcească timp de aproximativ 12-20 de minute, în funcție de cantitatea de abur rămasă în interior.

4. Desurubați încet capacul de siguranță (1) și așteptați câteva secunde pentru ca aburul rămas să iasă.

5. Umpleți încet rezervorul cu apă sau cu un amestec de apă de la robinet și apă distilată. Asigurați-vă că nu turnați mai mult de 400 ml. (se recomandă 350 ml)

6. Închideți din nou capacul de siguranță (1).

NOTĂ:

Aparatul de curățat cu aburi are un sistem de protecție împotriva supraîncălzirii. Acesta se va opri automat dacă se supraîncălește. Vă rugăm să rețineți că aparatul se poate defecta dacă este utilizat de prea multe ori cu rezervorul gol. Asigurați-vă că există suficientă apă în rezervor în orice moment în timpul funcționării.

Descrierea și utilizarea accesoriilor:

D. Perie plată

Introduceți duza mare în creștătura periei plate (3C) și rotiți-o în sensul acelor de ceasornic până când auziți un clic (3C). Poate curăța suprafețe plate, cum ar fi ferestrele etc. După utilizare, scoateți peria plată rotind-o în sensul invers acelor de ceasornic. Pentru curățarea birourilor și scaunelor, bibliotecilor sau a hainelor de călcat, puneți un prosop alb peste peria plată (3C).

E. Duză mare

Duza mare este utilă la curățarea colțurilor.

Pentru fixare, conectați capătul mai lat al duzei la ieșirea de abur, astfel încât clema de siguranță să se fixeze în poziție. (3B)

F. Furtun prelungitor

Dacă suprafața pe care încercați să o curățați este dificil de accesat, utilizați un furtun prelungitor.

Pentru a atașa capătul mai lat al furtunului la ieșirea de abur, conectați-l astfel încât clema de siguranță să se fixeze în poziție.

G, H. Perie din nailon și oțel inoxidabil

Introduceți duza mare (E) în creștătura periei rotunde (3D) și rotiți-o în sensul acelor de ceasornic până când auziți un clic (3D).

După utilizare, scoateți peria rotundă rotind-o în sens invers acelor de ceasornic.

K. Tub de extensie x 3

Dacă zona de curățare este greu accesibilă sau aparatul este utilizat pentru a curăța podele sau geamuri în locuri înalte, acesta poate fi utilizat cu tubul de extensie. Modul de funcționare este următorul: conectați capătul tubului de extensie la ieșirea de abur până când dispozitivul de blocare staționar este complet prins în orificiul tubului de extensie (ca în cazul duzei mari 3B) și blocat în poziție cu un clic pentru a semnifica că asamblarea este completă. Vă rugăm să rețineți că utilizarea tubului de extensie va reduce temperatura aburului. În funcție de temperatura tubului, aburul care iese din duză poate varia.

I. Perie pentru podea

Utilizați o perie de podea pentru a curăța podeaua.

Conectați împreună două sau trei tuburi prelungitoare (K) la unitate. Atașați celălalt capăt al tuburilor de prelungire la peria de podea. Apăsăți butoanele de pe părțile laterale ale periei pentru a deschide clemele de fixare, introduceți prosopul de podea (L) în clemele deschise. Scoateți prosopul după utilizare și uscați/ spălați înainte de următoarea utilizare.

Curățare:

1. Scoateți ștecherul din priză înainte de curățare.
2. Lăsați aparatul de curățat cu aburi să se răcească înainte de a-l depozita.
3. Ștergeți curățătorul cu aburi și accesoriile cu o cârpă umedă. Lăsați toate piesele să se usuce complet.

Depozitare:

Toate piesele trebuie să fie complet uscate înainte de depozitare.

- Depozitați întotdeauna aparatul de curățat cu abur într-un loc uscat, curat și fără praf.
- Depozitați curățătorul cu aburi sub înveliș, amplasați-l astfel încât aparatul să fie inaccesibil copiilor.

Rezolvarea problemelor

Problemă:

Nu iese abur din duză

Cauza: Ștecherul nu este introdus în priză de rețea

Soluție: Introduceți aparatul într-o priză

Cauză: Nu există apă în rezervor.

Soluție: Turnați apă în rezervor.

Cauză: Butonul de abur nu este apăsat.

Soluție: Eliberați învelișul de acces pentru copii și apăsați butonul de abur.

Problemă:

Doar lumina verde este aprinsă. Lumina roșie nu se aprinde.

Cauza: Lumina s-a ars.

Soluție: Consultați serviciul central.

Problemă:

Lumina roșie este mereu aprinsă, lumina verde nu se aprinde.

Cauza: piese electrice interne defecte sau termostat defect.

Soluție: Consultați departamentul de service central.

Problemă:

Lumină roșie pâlpâitoare.

Cauza: Lipsa apei sau o conexiune de rețea slabă.

Soluție: Verificați dacă aparatul este conectat corect și complet la rețeaua de alimentare. Adăugați apă. Dacă pâlpâirea continuă să apară, contactați serviciul central.

Problemă:

iese apă din duză.

Cauza: Nu a fost utilizat pentru o perioadă lungă de timp și aburul din duză/accesorii se condensează.

Soluție: Fenomen normal. Apăsăți butonul de eliberare a aburului timp de 2 secunde.

Dacă aparatul încă scuipă apă din duză prea multă apă în aparat.

Dacă din duză iese apă necarbonată după o utilizare prelungită, contactați serviciul central.

Alte probleme:

lese abur din aparat din alte locuri decât din duza de abur.

Deformarea sau înmuierea plasticului.

După golirea aparatului sau eliberarea aburului, capacul de siguranță (1) încă nu poate fi deschis.

Soluție: Contactați serviciul central.

Date tehnice:

Tensiune: 220-240V~ 50/60 Hz

Capacitate: 400 ml

Putere: 1200W

Putere maximă: 2000W



Pentru binele mediului. Ambalajele din carton și pungile din polietilenă (PE) trebuie eliminate în containerele corespunzătoare pentru colectarea separată a deșeurilor municipale, în conformitate cu descrierea acestora. Dacă aparatul conține baterii, acestea trebuie îndepărtate și eliminate separat la un centru de colectare și depozitare. Aparatul uzat trebuie dus la un centru adecvat de colectare și depozitare, deoarece substanțele periculoase pe care le conține pot reprezenta un risc pentru sănătate și mediu. Marcajul de pe produs indică faptul că aparatul nu trebuie eliminat în containerul de deșeurii municipale.

Deșeurile de echipamente electrice sunt deșeurii care conțin substanțe periculoase pentru oameni, animale și mediu. Aceste substanțe pot contamina solul, apa sau aerul, iar prin aceasta pot pătrunde în corpul uman și pot duce la o serie de probleme de sănătate, cum ar fi afectarea vederii, auzului, vorbirii, de asemenea, pot afecta rinichii, ficatul și inima și pot provoca boli de piele. Substanțele nocive pot avea, de asemenea, efecte negative asupra sistemelor respirator și reproducător și pot duce la modificări canceroase. Consumul de plante care cresc pe solurile afectate și de produse fabricate din acestea poate duce la efectele asupra sănătății menționate mai sus. **Nu aruncați echipamentul în coșul de gunoi municipal!**



Service Dacă doriți să achiziționați piese de schimb sau aveți reclamații, vă rugăm să contactați direct distribuitorul care a emis chitanța.

Návod k použití (CS)

BEZPEČNOSTNÍ PODMÍNKY DŮLEŽITÉ BEZPEČNOSTNÍ POKYNY PRO POUŽITÍ PEČLIVĚ SI PŘEČTĚTE A USCHOVEJTE PRO BUDOUCÍ POUŽITÍ

Záruční podmínky se liší, pokud je zařízení používáno ke komerčním účelům.

1. Před použitím výrobku si pečlivě přečtěte následující pokyny a vždy je dodržujte. Výrobce neodpovídá za škody způsobené nesprávným používáním.
2. Výrobek smí být používán pouze v interiéru. Nepoužívejte výrobek k účelům neslučitelným s jeho použitím.
3. Použitelné napětí je 230 V, ~50 Hz. Z bezpečnostních důvodů nepřipojujte k jedné elektrické zásuvce více zařízení.
4. Buďte opatrní při používání s dětmi. Nedovolte dětem, aby si s výrobkem hrály. Nedovolte dětem nebo osobám, které nejsou s přístrojem obeznámeny, aby jej používaly bez dozoru.
5. **UPOZORNĚNÍ:** Tento spotřebič mohou používat děti starší 8 let a osoby s omezenými fyzickými, smyslovými nebo duševními schopnostmi nebo

osoby bez zkušeností a znalostí spotřebiče pouze pod dohledem osoby odpovědné za jejich bezpečnost nebo pokud byly poučeny o bezpečném používání spotřebiče a jsou si vědomy nebezpečí spojených s jeho provozem. Děti by si se spotřebičem neměly hrát. Čištění a údržbu spotřebiče by neměly provádět děti, pokud jim není alespoň 8 let a tyto činnosti neprovádějí pod dohledem.

6. Po ukončení používání výrobku nezapomeňte vždy opatrně vytáhnout zástrčku ze zásuvky tak, že ji přidržíte rukou. Nikdy netahejte za napájecí kabel!!!

7. Nikdy nenechávejte výrobek připojený ke zdroji napájení bez dozoru. I v případě krátkodobého přerušení používání jej vypněte z elektrické sítě, odpojte přívod proudu.

8. Nikdy nevkládejte napájecí kabel, zástrčku ani celé zařízení do vody. Nikdy nevystavujte výrobek povětrnostním vlivům, jako je přímé sluneční světlo, déšť apod. Nikdy nepoužívejte výrobek ve vlhkém prostředí.

9. Pravidelně kontrolujte stav napájecího kabelu. Pokud je napájecí kabel poškozený, odнесите výrobek do odborného servisního střediska k výměně, abyste předešli nebezpečným situacím.

10. Nikdy nepoužívejte výrobek s poškozeným napájecím kabelem nebo pokud byl upuštěn či jinak poškozen nebo pokud nefunguje správně. Nepokoušejte se sami opravit poškozený výrobek, protože by mohlo dojít k úrazu elektrickým proudem. Poškozený přístroj vždy odнесите k opravě do odborného servisu. Veškeré opravy smí provádět pouze autorizovaný servisní technik. Nesprávně provedená oprava může vést k nebezpečným situacím pro uživatele.

11. Výrobek nikdy nepokládejte na horké nebo teplé povrchy nebo do blízkosti varných zařízení, jako je elektrická trouba nebo plynový hořák.

12. Výrobek nikdy nepoužívejte v blízkosti hořlavých materiálů.

13. Nedovolte, aby šňůra visela z okraje pracovní desky.

14. Při přeplnění spotřebiče může dojít k vystříknutí vroucí vody.

15. Nikdy nemířte parním čistěčem na sebe, jiné osoby, zvířata nebo elektrické spotřebiče, např. na: trouby .

16. Spotřebič smíte používat pouze s originálním příslušenstvím.

17. Nezakrývejte otvory přístroje a nevkládejte do nich žádné předměty.
18. Nenaklánějte spotřebič o více než 45 stupňů. Přístroj byl navržen pro práci ve svislé poloze.
19. Před nalitím vody do přístroje jej odpojte od elektrické sítě.
20. Do vody používané ve spotřebiči nepřidávejte žádné látky: odvápňovače, aromatické oleje, čisticí prostředky.
21. Ujistěte se, že je víko nádržky na vodu pevně přišroubováno ke spotřebiči.



VAROVÁNÍ: HORKÁ PÁRA Nebezpečí opaření

Popis spotřebiče:

1. Bezpečnostní kohout
2. Plnicí otvor
3. Uzavírací víčko
4. Výstup páry
5. Kontrolka
6. Dětská pojistka
7. Uvolňování páry
8. Napájecí zástrčka

Příslušenství: A. Nálevka × 1 B. Odměrka × 1 C. Sada ručníků × 1 D. Plochý kartáč × 1 E. Velká tryska × 1 F. Prodlužovací hadice × 1 G. Nylonový kartáč × 1 H. Kartáč z nerezové oceli × 1 I. Kartáč na podlahu × 1 J. Přípojka podlahového kartáče x1 K. Prodlužovací hadice × 3 L. Ručník na podlahový kartáč x1

POZNÁMKA: - Nejdříve na neviditelném místě zkontrolujte, zda je materiál, který hodláte čistit, vhodný pro parní čištění, jako např. Pára může způsobit vyblednutí lakovaného dřeva nebo kůže.

Nechráněné dřevo může nabobtnat.

Pára může odstranit ochranné vrstvy vosku.

Plasty se mohou působením páry zbarvit.

Měkké plasty se mohou vlivem páry deformovat.

Studené sklo nebo zrcadlové povrchy mohou při působení horké páry prasknout.

- Nikdy nenaplňujte parní čistič jinými kapalinami než vodou.

- Parní čistič ani jeho jednotlivé části v žádném případě nevkládejte do myčky nádobí. Došlo by k jejich poškození.

- Přestaňte parní čistič používat, pokud jeho plastové části vykazují praskliny, poškození nebo jsou deformované. Poškozené díly vyměňte pouze za vhodné originální náhradní díly.

- Nepoužívejte parní čistič s prázdnou nádrží. Po vyčerpání nádržky na vodu vytáhněte síťovou zástrčku, aby nedošlo k přehřátí.

- Pokud chcete čistit okna, nejprve je zahřejte, např. přiložením páry na větší plochu z větší vzdálenosti a poté z menší vzdálenosti.

- Při pokusech o odstranění škodlivých látek používejte rukavice, ochranné brýle a ochranu dýchacích cest.

Před prvním použitím:

Odstraňte z přístroje všechny obalové materiály a nálepky. Vyčistěte přístroj čistým a vlhkým hadříkem. Otevřete spotřebič otočením bezpečnostní matice (1) doleva. Naplňte přístroj vodou a vodu vylijte. Tím odstraníte veškeré zbytky a tovární nečistoty z vnitřku spotřebiče. Poté pokračujte v běžném provozu.

Použití: V případě, že je spotřebič v provozu, je nutné jej používat v souladu s pokyny výrobce:

1. Položte parní čistič na suchý a rovný povrch a otevřete bezpečnostní zástrčku (1). Za tímto účelem pevně stiskněte uzávěr a otočte jím proti směru hodinových ručiček.

2. Pomocí odměrky (B) a nálevky (A) naplňte přístroj vodou. Maximální kapacita je 400 ml. Doporučujeme naplnit do 350 ml pro lepší výkon a vyšší produkci páry. Pokud je v nádržce více než 350 ml, může pára první 2 minuty používání obsahovat trochu vody. Speciální poznámky:

- Používejte čistou vodu (malé pevné částice mohou ucpat potrubí nebo způsobit poruchu přístroje)
Pokud je voda z vodovodu ve vaší oblasti tvrdá nebo velmi tvrdá, doporučujeme použít směs vody z vodovodu a destilované vody. Nenalévejte prosím méně než 150 ml vody.
3. Uzávěr uzavřete otočením ve směru hodinových ručiček.
 4. Zasuňte síťovou zástrčku do elektrické zásuvky. Rozsvítí se červená kontrolka signalizující ohřev.
 5. Když se rozsvítí zelená kontrolka, je spotřebič připraven k použití. Upozornujeme, že červená kontrolka se během provozu zapíná a vypíná. Spotřebič používejte pouze tehdy, když svítí zelená kontrolka. V opačném případě bude z přístroje kapat a stříkat horká voda.
 6. Otočte dětskou pojistku (6) do polohy zapnuto. Poté stisknete spouštěč páry (7). Ze spotřebiče začne vycházet pára. Nezapomeňte vždy stisknout spoušť páry (7), po uvolnění spouště páry (7) se dětská pojistka (6) vrátí do polohy vypnuto.

Po ukončení práce nebo po vyprázdnění nádržky na vodu:

Po ukončení provozu:

1. Odpojte spotřebič od elektrické sítě.
 2. Stiskněte spoušť páry (7) a držte ji stisknutou, dokud se pára nepřestane tvořit.
 3. Nechte spotřebič vychladnout přibližně 12-20 minut v závislosti na množství páry, která v něm zůstala.
 4. Pomalu odšroubujte bezpečnostní uzávěr (1) a počkejte několik minut, až ze spotřebiče unikne vlhkost.
- Pokud v nádržce již není žádná voda, spotřebič přestane produkovat páru. Vodu je třeba doplnit. Za tímto účelem postupujte podle níže uvedených kroků:

Znovu naplňte nádržku:

1. Odpojte spotřebič od elektrické sítě.
2. Stiskněte spouštěč páry (7) a držte jej stisknutý, dokud nepřestane produkovat páru.
3. Nechte spotřebič vychladnout přibližně 12-20 minut v závislosti na množství páry, která v něm zůstala.
4. Pomalu odšroubujte bezpečnostní uzávěr (1) a vyčkejte několik sekund, až zbývající pára unikne.
5. Pomalu naplňte nádržku vodou nebo směsí vody z vodovodu a destilované vody. Dbejte na to, abyste nenalili více než 400 ml. (doporučujeme 350 ml)
6. Znovu uzavřete bezpečnostní uzávěr (1).

POZNÁMKA:

Pamí čistič je vybaven systémem ochrany proti přehřátí. V případě přehřátí se automaticky vypne. Upozorňujeme, že při příliš častém používání s prázdnou nádrží se může spotřebič porouchat. Ujistěte se, že je v nádržce po celou dobu provozu dostatek vody.

Popis a použití příslušenství:

D. Plochý kartáč

Zasuňte velkou hubici do zářezu plochého kartáče (3C) a otáčejte jí ve směru hodinových ručiček, dokud neuslyšíte cvaknutí (3C).
Může čistit rovné povrchy, jako jsou okna apod. Po použití plochý kartáč vyjměte otočením proti směru hodinových ručiček.
Pro čištění stolů a židlí, knihoven nebo žehlení oděvů položte na plochý kartáč (3C) bílou utěrku.

E. Velká hubice

Velká hubice se hodí při čištění rohů.

Pro připojení připojte širší konec hubice k výstupu páry tak, aby bezpečnostní klip zapadl na místo. (3B)

F. Prodlužovací hadice

Pokud je povrch, který se snažíte vyčistit, obtížně přístupný, použijte prodlužovací hadici.

Chcete-li širší konec hadice připojit k výstupu páry, připojte jej tak, aby bezpečnostní spona zapadla na místo.

G, H. Nylonový a nerezový kartáč

Zasuňte velkou hubici (E) do zářezu kulatého kartáče (3D) a otáčejte jí ve směru hodinových ručiček, dokud neuslyšíte cvaknutí (3D). Po použití vyjměte kulatý kartáček otočením proti směru hodinových ručiček.

K. Prodlužovací trubice x 3

Pokud je místo čištění obtížně přístupné nebo se spotřebič používá k čištění podlah či skla ve vysokých místech, lze jej použít s prodlužovací trubicí. Funguje to následovně: připojte konec prodlužovací trubice k výstupu páry, dokud není stacionární zámek zcela zacvaknutý do otvoru prodlužovací trubice (jako u velké trysky 3B) a zajištěný na místě s cvaknutím, které znamená dokončení montáže. Upozorňujeme, že použití prodlužovací trubice sníží teplotu páry. V závislosti na teplotě trubice se může pára vycházející z trysky lišit.

I. Kartáč na podlahu

K čištění podlahy použijte podlahový kartáč.

Připojte k přístroji společně dvě nebo tři prodlužovací trubky (K). Druhý konec prodlužovacích trubek připojte k podlahovému kartáči. Stisknutím tlačítek po stranách kartáče otevřete upevňovací svorky, do otevřených svorek vložte podlahovou utěrku (L). Po

použití ručník vyjměte a před dalším použitím jej osušte/vyperte.

Čištění:

1. Před čištěním vytáhněte síťovou zástrčku ze zásuvky.
2. Před uskladněním nechte parní čistič vychladnout.
3. Parní čistič a příslušenství otřete vlhkým hadříkem. Všechny části nechte zcela vyschnout.

Skladování:

Před uskladněním musí být všechny díly zcela suché.

- Parní čistič skladujte vždy na suchém, čistém a bezprašném místě.
- Parní čistič skladujte pod uzamčením, umístěte jej tak, aby byl spotřebič nepřístupný dětem.

Řešení problémů

Problém:

Z trysky nevychází pára

Příčina: Zástrčka není zasunutá v síťové zásuvce

Řešení: Zapojte spotřebič do zásuvky

Příčina: V nádržce není voda.

Řešení: Nalijte do nádržky vodu.

Příčina: Není stisknuto tlačítko páry.

Řešení: Uvolněte dětskou pojistku přístupu a stiskněte tlačítko páry.

Problém:

Svítil pouze zelená kontrolka. Červené světlo se nerozsvítí.

Příčina: Světlo se přepálilo.

Řešení: Obratě se na centrální servis.

Problém:

Červená kontrolka svítí stále, zelená se nerozsvítí.

Příčina: Poškozené vnitřní elektrické součásti nebo porouchaný termostat.

Řešení: Obratě se na centrální servisní oddělení.

Problém:

Blikání červeného světla.

Příčina: Nedostatek vody nebo špatné připojení k síti.

Řešení: Zkontrolujte, zda je spotřebič správně a plně připojen k elektrické síti. Doplňte vodu. Pokud blikání stále přetrvává, kontaktujte centrální servis.

Problém:

Voda vytéká z trysky.

Příčina: Dlouho se nepoužívá a pára v trysce/příslušenství kondenzuje.

Řešení: Normální jev. Stiskněte tlačítko pro uvolnění páry na 2 sekundy.

Pokud spotřebič stále chrlí vodu z trysky, je ve spotřebiči příliš mnoho vody.

Pokud z trysky po delším používání vychází nesyčená voda, obraťte se na centrální servis.

Jiné problémy:

Pára vychází ze spotřebiče z jiných míst než z parní trysky.

Deformace nebo změknutí plastu.

Po vyprázdnění spotřebiče nebo vypuštění páry stále nelze otevřít bezpečnostní uzávěr (1).

Řešení: Obratě se na centrální servis.

Technické údaje:

Napětí: 220-240 V~ 50/60 Hz

Kapacita: 400 ml

Příkon: 1200 W

Maximální výkon: 2000W



V zájmu ochrany životního prostředí. Kartonové obaly a polyetylenové (PE) sáčky odhodte do příslušných kontejnerů pro oddělený sběr komunálního odpadu podle jejich popisu. Pokud jsou ve spotřebiči baterie, je třeba je vyjmout a odděleně zlikvidovat ve sběrně a skladu. Použitý spotřebič musí být odvezen do vhodného sběrného a skladovacího zařízení, protože nebezpečné látky, které obsahuje, mohou představovat riziko pro zdraví a životní prostředí. Označení na výrobku uvádí, že spotřebič nesmí být vyhozen do kontejneru na komunální odpad. Elektroodpad je odpad, který obsahuje látky škodlivé pro člověka, zvířata a životní prostředí. Tyto látky mohou kontaminovat půdu, vodu nebo vzduch a jejich prostřednictvím se mohou dostat do lidského organismu a vést k řadě zdravotních problémů, jako jsou poruchy zraku, sluchu, řeči, mohou také poškodit ledviny, játra a srdce a způsobit kožní onemocnění. Škodlivé látky mohou mít také nepříznivé účinky na dýchací a reprodukční systém a vést k rakovinným změnám. Konzu mace rostlin rostoucích na postřížených půdách a produktů z nich vyrobených může mít za následek výše uvedené zdravotní účinky. **Zařízení nevyhazujte do popelnice na komunální odpad!**



Servis Pokud si přejete zakoupit náhradní díly nebo máte jakékoli stížnosti, obraťte se na obecní prodejce, který vydal doklad o koupi.

Руководство пользователя (RU)

УСЛОВИЯ БЕЗОПАСНОСТИ

ВАЖНЫЕ УКАЗАНИЯ ПО БЕЗОПАСНОСТИ ИСПОЛЬЗОВАНИЯ ПОЖАЛУЙСТА, ВНИМАТЕЛЬНО ПРОЧИТАЙТЕ И СОХРАНИТЕ ДЛЯ ДАЛЬНЕЙШЕГО ИСПОЛЬЗОВАНИЯ

Условия гарантии отличаются, если устройство используется в коммерческих целях.

1. Пожалуйста, внимательно прочитайте следующие инструкции и всегда следуйте им перед использованием устройства.

Производитель не несет ответственности за повреждения, вызванные неправильным использованием.

2. Изделие можно использовать только в помещении. Не используйте изделие в целях, несовместимых с его применением.

3. Применяемое напряжение составляет 230 В, ~50 Гц. В целях безопасности не подключайте несколько устройств к одной электрической розетке.

4. Будьте осторожны при использовании с детьми. Не позволяйте детям играть с прибором. Не позволяйте детям или лицам, не знакомым с прибором, пользоваться им без присмотра.

5. **ПРЕДУПРЕЖДЕНИЕ:** Этот прибор может использоваться детьми старше 8 лет и лицами с ограниченными физическими, сенсорными или умственными способностями, а также лицами, не имеющими опыта или знаний о приборе, только под наблюдением лица, ответственного за их безопасность, или если они были проинструктированы о безопасном использовании прибора и знают об опасностях, связанных с его эксплуатацией. Дети не должны играть с

прибором. Чистка и техническое обслуживание прибора не должны выполняться детьми, если им не исполнилось 8 лет, и эти операции не выполняются под присмотром.

6. По окончании использования прибора всегда помните, что вилку следует аккуратно вынимать из розетки, придерживая ее рукой.

Никогда не тяните за шнур питания!!!

7. Никогда не оставляйте прибор, подключенный к источнику питания, без присмотра. Даже если использование прервано на короткое время, выключите его из сети, отсоедините источник питания.

8. Никогда не опускайте шнур питания, вилку или все устройство в воду. Не подвергайте устройство воздействию погодных условий, таких как прямые солнечные лучи, дождь и т. д. Не используйте устройство во влажных условиях.

9. Периодически проверяйте состояние шнура питания. Если шнур питания поврежден, отнесите устройство в профессиональный сервисный центр для замены, чтобы избежать опасных ситуаций.

10. Никогда не используйте устройство с поврежденным шнуром питания, если его уронили или повредили другим способом, или если оно не работает должным образом. Не пытайтесь самостоятельно ремонтировать неисправное устройство, это может привести к поражению электрическим током. Всегда сдавайте неисправное устройство в профессиональный сервисный центр для ремонта.

Любой ремонт должен выполняться только авторизованными специалистами. Неправильно выполненный ремонт может привести к опасным ситуациям для пользователя.

11. Никогда не ставьте прибор на горячие или теплые поверхности или вблизи них, а также на кухонные приборы, такие как электрическая печь или газовая горелка.

12. Никогда не используйте прибор вблизи горючих материалов.

13. Не допускайте, чтобы шнур свисал с края столешницы.

14. Если прибор переполнен, кипятильник может выплеснуться наружу.

15. Никогда не направляйте пароочиститель на себя, других людей, животных или электрические приборы, например, печи.

16. Прибор можно использовать только с оригинальными принадлежностями.
17. Не блокируйте отверстия аппарата и не вставляйте в них никакие предметы.
18. Не наклоняйте прибор более чем на 45 градусов. Машина предназначена для работы в вертикальном положении.
19. Прежде чем наливать воду в машину, отключите ее от сети.
20. Не добавляйте в воду, используемую в приборе, какие-либо вещества: средства для удаления накипи, ароматические масла, чистящие средства.
21. Убедитесь, что крышка резервуара для воды плотно прикручена к прибору.



ОСТОРОЖНО: ГОРЯЧИЙ ПАР Опасность ошпаривания

Описание прибора:

1. Предохранительный кран
2. Заливное отверстие
3. Запорный колпачок
4. Выход пара
5. Индикаторная лампочка
6. Блокировка от детей
7. Выпуск пара
8. Вилка питания

Аксессуары: А. Воронка × 1 В. Мерный стаканчик × 1 С. Набор полотенец × 1 D. Плоская щетка × 1 Е. Большая насадка × 1 F. Удлинительный шланг × 1 G. Нейлоновая щетка × 1 Н. Щетка из нержавеющей стали × 1 I. Щетка для пола × 1 J. Соединитель для щетки для пола x1 K. Удлинительная трубка x 3 L. Полотенце для щетки для пола x1

ПРИМЕЧАНИЕ: - Сначала проверьте на незаметном участке, подходит ли материал, который вы собираетесь чистить, для очистки паром, например:

Пар может вызвать выцветание лакированного дерева или кожи.

Незащищенная древесина может разбухнуть.

Пар может удалить защитные слои воска.

Пластмасса может окраситься под воздействием пара.

Мягкие пластмассы могут деформироваться под воздействием пара.

Холодное стекло или зеркальные поверхности могут треснуть под воздействием горячего пара.

- Никогда не наполняйте пароочиститель другими жидкостями, кроме воды.

- Ни в коем случае не кладите пароочиститель или отдельные детали в посудомоечную машину. Это приведет к их повреждению.

- Прекратите использование пароочистителя, если на его пластиковых деталях появились трещины, повреждения или они деформировались. Заменяйте поврежденные детали только подходящими оригинальными запасными частями.

- Не используйте пароочиститель с пустым резервуаром. Когда резервуар для воды исчерпан, выдерните вилку из розетки, чтобы избежать перегрева.

- Если вы хотите очистить окна, сначала прогрейте их, например, подайте пар на большую площадь с большего расстояния, а затем с более близкого расстояния.

- При удалении вредных веществ надевайте перчатки, защитные очки и средства защиты органов дыхания.

Перед первым использованием:

Удалите с устройства все упаковочные материалы и наклейки. Протрите прибор чистой и влажной тканью. Откройте прибор, повернув предохранительную гайку (1) влево. Залейте воду и вылейте ее. Это позволит удалить все остатки и заводскую грязь изнутри прибора. Затем продолжайте работу в обычном режиме.

Использование:

1. Поставьте парочиститель на сухую и ровную поверхность и откройте предохранительную пробку (1). Для этого плотно прижмите пробку и поверните ее против часовой стрелки.
2. С помощью мерного стакана (B) и воронки (A) наполните прибор водой. Максимальная емкость составляет 400 мл. Мы рекомендуем заполнять до 350 мл для лучшей работы и большей выработки пара. Если в резервуаре будет более 350 мл, в первые 2 минуты использования пар может содержать немного воды.

Особые указания:

Пожалуйста, используйте чистую воду (мелкие твердые частицы могут заблокировать трубку или привести к поломке машины)

Если водопроводная вода в вашем регионе жесткая или очень жесткая, мы рекомендуем использовать смесь водопроводной и дистиллированной воды.

Пожалуйста, не наливайте менее 150 мл воды.

3. Закройте крышку, повернув ее по часовой стрелке.
4. Вставьте сетевую вилку в электрическую розетку. Загорится красная лампочка, указывающая на нагрев.
5. Когда загорится зеленая лампочка, прибор готов к использованию. Обратите внимание, что во время работы красный индикатор включается и выключается. Пользуйтесь прибором только тогда, когда горит зеленая лампочка. В противном случае горячая вода будет капать и брызгать из прибора.
6. Поверните детский замок (6) во включенное положение. Затем нажмите на кнопку подачи пара (7). Из прибора начнет выходить пар. Не забывайте всегда нажимать на кнопку подачи пара (7), когда вы отпустите кнопку подачи пара (7), блокировка от детей (6) вернется в положение "Выкл".

Когда вы закончите работу или опорожните резервуар для воды:

После работы:

1. Отключите прибор от электросети.
2. Нажмите кнопку подачи пара (7) и держите ее нажатой до тех пор, пока не прекратится выделение пара.
3. Дайте прибору остыть в течение примерно 12-20 минут, в зависимости от количества оставшегося внутри пара.
4. Медленно открутите защитную крышку (1) и подождите несколько минут, пока влага не выйдет из прибора.

Если в резервуаре больше нет воды, прибор перестанет производить пар. Необходимо долить воду. Для этого выполните следующие действия:

Заново наполните резервуар:

1. Отключите прибор от электросети.
2. Нажмите кнопку подачи пара (7) и держите ее нажатой до тех пор, пока не прекратится выделение пара.
3. Дайте прибору остыть в течение примерно 12-20 минут, в зависимости от количества оставшегося внутри пара.
4. Медленно открутите предохранительную крышку (1) и подождите несколько секунд, чтобы вышел оставшийся пар.
5. Медленно наполните резервуар водой или смесью водопроводной и дистиллированной воды. Следите за тем, чтобы налить не более 400 мл. (рекомендуется 350 мл)
6. Снова закройте предохранительную крышку (1).

ПРИМЕЧАНИЕ:

Парочиститель оснащен системой защиты от перегрева. При перегреве он автоматически отключается. Обратите внимание, что прибор может выйти из строя, если использовать его слишком часто с пустым резервуаром. Следите за тем, чтобы во время работы в резервуаре всегда было достаточно воды.

Описание и использование аксессуаров:

Д. Плоская щетка

Вставьте плоскую насадку в выемку плоской щетки (3C) и поверните ее по часовой стрелке до щелчка (3C). Можно чистить плоские поверхности, такие как окна и т. д. После использования извлеките плоскую щетку, повернув ее против часовой стрелки.

Для чистки столов и стульев, книжных шкафов или глажки одежды положите белое полотенце на плоскую щетку (3C).

Е. Большая насадка

Большая насадка пригодится при уборке углов.

Чтобы прикрепить ее, подсоедините более широкий конец насадки к паротводу так, чтобы предохранительный зажим

защелкнулся. (3B)

Ф. Удлинительный шланг

Если поверхность, которую вы пытаетесь очистить, труднодоступна, используйте удлинительный шланг.

Чтобы присоединить более широкий конец шланга к паропроводу, подсоедините его таким образом, чтобы защелкнулся предохранительный зажим.

Г. Н. Щетка из нейлона и нержавеющей стали

Вставьте большую насадку (E) в выемку круглой щетки (3D) и поверните ее по часовой стрелке до щелчка (3D). После использования извлеките круглую щетку, повернув ее против часовой стрелки.

К. Удлинительная трубка х 3

Если место уборки труднодоступно или прибор используется для мытья полов или стекол на высоте, его можно использовать с удлинительной трубкой. Работает она следующим образом: подсоедините конец удлинительной трубки к паропроводу, пока стационарный замок не будет полностью вставлен в отверстие удлинительной трубки (как в случае с большой насадкой 3B) и зафиксирован со щелчком, означающим завершение сборки. Обратите внимание, что использование удлинительной трубки снижает температуру пара. В зависимости от температуры трубки, пар, выходящий из насадки, может отличаться.

Л. Щетка для пола

Для очистки пола используйте щетку для пола.

Подсоедините к устройству две или три удлинительные трубки (К). Прикрепите другой конец удлинительных трубок к щетке для пола. Нажмите на кнопки по бокам щетки, чтобы открыть крепежные зажимы, вставьте полотенце для пола (L) в открытые зажимы. Снимите полотенце после использования и высушите/постирайте перед следующим использованием.

Чистка:

1. Перед чисткой выньте сетевую вилку из розетки.
2. Перед хранением дайте пароочистителю остыть.
3. Протрите пароочиститель и принадлежности влажной тканью. Дайте всем деталям полностью высохнуть.

Хранение:

Перед хранением все детали должны быть полностью сухими.

- Всегда храните пароочиститель в сухом, чистом и непыльном месте.

- Храните пароочиститель под замком, располагайте его так, чтобы прибор был недоступен для детей.

Устранение неполадок

Проблемы:

Из сопла не выходит пар

Причина: Вилка не вставлена в сетевую розетку

Решение: Включите прибор в розетку

Причина: В резервуаре нет воды.

Решение: Налейте воду в резервуар.

Причина: Не нажата кнопка подачи пара.

Решение: Отпустите блокировку доступа детей и нажмите кнопку подачи пара.

Проблема:

Горит только зеленый свет. Красный индикатор не включается.

Причина: лампочка перегорела.

Решение: Обратитесь в центральную сервисную службу.

Проблема:

Красный свет горит постоянно, зеленый не загорается.

Причина: Поломка внутренних электрических частей или поломка термостата.

Решение: Обратитесь в центральную сервисную службу.

Проблема:

Мерцающий красный свет.

Причина: недостаток воды или плохое подключение к сети.

Решение: Убедитесь, что прибор правильно подключен и полностью подсоединен к электросети. Добавьте воды. Если мерцание не прекращается, обратитесь в центральную службу сервиса.

Проблема:

Вода выходит из форсунки.

Причина: Не используется в течение длительного времени, и пар в насадке/аксессуарах конденсируется.

Решение: Нормальное явление. Нажмите кнопку выпуска пара на 2 секунды.

Если прибор по-прежнему выплевывает воду из сопла, в приборе слишком много воды.

Если после длительного использования из сопла выходит негазированная вода, обратитесь в сервисный центр.

Другие проблемы:

Пар выходит из прибора не из парового сопла, а из других мест.

Деформация или размягчение пластика.

После опорожнения прибора или выпуска пара предохранительный колпачок (1) по-прежнему невозможно открыть.

Решение: Обратитесь в центральную сервисную службу.

Технические данные:

Напряжение: 220-240 В ~ 50/60 Гц

Емкость: 400 мл

Мощность: 1200 Вт

Максимальная мощность: 2000 Вт



В целях защиты окружающей среды. Картонную упаковку и полиэтиленовые (ПЭ) пакеты следует выбрасывать в соответствующие контейнеры для раздельного сбора бытовых отходов в соответствии с их описанием. Если в приборе имеются батареи, их необходимо извлечь и утилизировать отдельно в пункте сбора и хранения. Использованный прибор необходимо сдать в соответствующий пункт сбора и хранения, так как содержащиеся в нем опасные вещества могут представлять угрозу для здоровья и окружающей среды. Маркировка на изделии указывает на то, что прибор нельзя выбрасывать в контейнер для бытовых отходов. Отработанное электрооборудование - это отходы, содержащие вещества, вредные для человека, животных и окружающей среды. Эти вещества могут загрязнять почву, воду или воздух, через которые они могут попасть в организм человека и привести к ряду проблем со здоровьем, таких как ухудшение зрения, слуха, речи, могут также повредить почки, печень и сердце, вызвать кожные заболевания. Вредные вещества также могут оказывать негативное влияние на дыхательную и репродуктивную системы и приводить к раковым изменениям. Употребление растений, растущих на пораженных почвах, и продуктов, изготовленных из них, может привести к вышеупомянутым последствиям для здоровья. **Не выбрасывайте оборудование в контейнер для бытовых отходов!**

Сервис Если вы хотите приобрести запасные части или у вас есть какие-либо претензии, пожалуйста обращайтесь непосредственно к продавцу, выдавшему чек.

Εγχειρίδιο χρήσης (EL)

ΣΥΝΘΗΚΕΣ ΑΣΦΑΛΕΙΑΣ
ΣΗΜΑΝΤΙΚΈΣ ΟΔΗΓΊΕΣ ΑΣΦΑΛΕΙΑΣ ΓΙΑ ΤΗ ΧΡΉΣΗ
ΔΙΑΒΑΣΤΕ ΠΡΟΣΕΚΤΙΚΆ ΚΑΙ ΦΥΛΑΞΤΕ ΤΙΣ ΓΙΑ ΜΕΛΛΟΝΤΉ
ΑΝΑΦΟΡΑ

Οι όροι εγγύησης είναι διαφορετικοί εάν η συσκευή χρησιμοποιείται για εμπορικούς σκοπούς.

1. Παρακαλούμε διαβάστε προσεκτικά τις παρακάτω οδηγίες και ακολουθήστε τις πάντα πριν χρησιμοποιήσετε το προϊόν. Ο κατασκευαστής δεν ευθύνεται για τυχόν ζημιές που προκαλούνται από κακή χρήση.

2. Το προϊόν επιτρέπεται να χρησιμοποιείται μόνο σε εσωτερικούς χώρους. Μην χρησιμοποιείτε το προϊόν για σκοπούς ασυμβίβαστους με

τη χρήση του.

3. Η ισχύουσα τάση είναι 230V, ~50Hz. Για λόγους ασφαλείας, μην συνδέετε πολλές συσκευές σε μία πρίζα.

4. Να είστε προσεκτικοί κατά τη χρήση με παιδιά. Μην επιτρέπετε στα παιδιά να παίζουν με το προϊόν. Μην επιτρέπετε σε παιδιά ή σε άτομα που δεν είναι εξοικειωμένα με τη συσκευή να τη χρησιμοποιούν χωρίς επίβλεψη.

5. ΠΡΟΕΙΔΟΠΟΙΗΣΗ: Αυτή η συσκευή επιτρέπεται να χρησιμοποιείται μόνο από παιδιά άνω των 8 ετών και από άτομα με περιορισμένες σωματικές, αισθητηριακές ή διανοητικές ικανότητες ή από άτομα χωρίς εμπειρία ή γνώση της συσκευής, υπό την επίβλεψη ατόμου που είναι υπεύθυνο για την ασφάλειά τους ή εάν έχουν λάβει οδηγίες για την ασφαλή χρήση της συσκευής και γνωρίζουν τους κινδύνους που σχετίζονται με τη λειτουργία της. Τα παιδιά δεν πρέπει να παίζουν με τη συσκευή. Ο καθαρισμός και η συντήρηση της συσκευής δεν θα πρέπει να πραγματοποιείται από παιδιά, εκτός εάν είναι τουλάχιστον 8 ετών και οι εργασίες αυτές πραγματοποιούνται υπό επίβλεψη.

6. Όταν τελειώσετε τη χρήση του προϊόντος, να θυμάστε πάντα να βγάξετε απαλά το φισ από την πρίζα κρατώντας την πρίζα με το χέρι σας. Ποτέ μην τραβάτε το καλώδιο τροφοδοσίας!!!

7. Ποτέ μην αφήνετε το προϊόν συνδεδεμένο σε πηγή ρεύματος χωρίς επίβλεψη. Ακόμη και αν η χρήση διακοπεί για μικρό χρονικό διάστημα, απενεργοποιήστε το από το δίκτυο, αποσυνδέστε την παροχή ρεύματος.

8. Ποτέ μην βάζετε το καλώδιο ρεύματος, το φισ ή ολόκληρη τη συσκευή στο νερό. Ποτέ μην εκθέτετε το προϊόν σε καιρικές συνθήκες, όπως άμεσο ηλιακό φως, βροχή κ.λπ. Ποτέ μην χρησιμοποιείτε το προϊόν σε υγρές συνθήκες.

9. Ελέγχετε περιοδικά την κατάσταση του καλωδίου τροφοδοσίας. Εάν το καλώδιο τροφοδοσίας έχει υποστεί ζημιά, μεταφέρετε το προϊόν σε ένα επαγγελματικό κέντρο σέρβις για αντικατάσταση για να αποφύγετε επικίνδυνες καταστάσεις.

10. Ποτέ μη χρησιμοποιείτε το προϊόν με κατεστραμμένο καλώδιο ρεύματος ή αν έχει πέσει ή έχει υποστεί άλλη ζημιά ή αν δεν λειτουργεί

σωστά. Μην επιχειρήσετε να επισκευάσετε μόνοι σας ένα ελαττωματικό προϊόν, καθώς αυτό μπορεί να οδηγήσει σε ηλεκτροπληξία. Πάντα να μεταφέρετε την ελαττωματική συσκευή σε ένα επαγγελματικό κέντρο σέρβις για επισκευή. Τυχόν επισκευές πρέπει να πραγματοποιούνται μόνο από εξουσιοδοτημένους τεχνικούς σέρβις. Οι λανθασμένα εκτελεσμένες επισκευές μπορεί να οδηγήσουν σε επικίνδυνες καταστάσεις για τον χρήστη.

11. Ποτέ μην τοποθετείτε το προϊόν πάνω ή κοντά σε καυτές ή θερμές επιφάνειες ή συσκευές μαγειρέματος, όπως ηλεκτρικό φούρνο ή καυστήρα αερίου.

12. Ποτέ μη χρησιμοποιείτε το προϊόν κοντά σε εύφλεκτα υλικά.

13. Μην αφήνετε το καλώδιο να κρέμεται από την άκρη του πάγκου.

14. Εάν η συσκευή είναι υπερβολικά γεμάτη, μπορεί να εκτοξευτεί βραστό νερό.

15. Ποτέ μην στρέψετε τον ατμοκαθαριστή προς τον εαυτό σας, άλλους ανθρώπους, ζώα ή ηλεκτρικές συσκευές π.χ.: φούρνους .

16. Μπορείτε να χρησιμοποιείτε τη συσκευή μόνο με τα αυθεντικά εξαρτήματα.

17. Μην φράζετε τα ανοίγματα της συσκευής και μην εισάγετε αντικείμενα στα ανοίγματα.

18. Μην γέρνετε τη συσκευή περισσότερο από 45 μοίρες. Το μηχάνημα έχει σχεδιαστεί για να λειτουργεί σε όρθια θέση.

19. Βγάλτε το μηχάνημα από την πρίζα πριν ρίξετε νερό σε αυτό.

20. Μην προσθέτετε ουσίες στο νερό που χρησιμοποιείται στη συσκευή: αφαλατικά, αρωματικά έλαια, καθαριστικά.

21. Βεβαιωθείτε ότι το καπάκι του δοχείου νερού είναι καλά βιδωμένο πάνω στη συσκευή.



ΠΡΟΕΙΔΟΠΟΙΗΣΗ: ΖΕΣΤΟΣ ΑΤΜΟΣ Κίνδυνος εγκαύματος

Περιγραφή της συσκευής:

1. Κρουσός ασφαλείας
2. Άνοιγμα πλήρωσης
3. Καπάκι ασφάλισης
4. Έξοδος ατμού

5. Ενδεικτική λυχνία 6. Παιδική κλειδαριά 7. Απελευθέρωση ατμού 8. Βύσμα τροφοδοσίας

Αξεσουάρι: Α. Χωνί × 1 Β. Κύπελλο μέτρησης × 1 Γ. Σει πετσέτες × 1 Δ. Επίπεδη βούρτσα × 1 Ε. Μεγάλο ακροφύσιο × 1 ΣΤ. Επέκταση σωλήνα × 1 Ζ. Νάιλον βούρτσα × 1 Η. Ανοξείδωτη βούρτσα × 1 Ι. Βούρτσα δαπέδου × 1 Κ. Σύνδεσμος βούρτσας δαπέδου × 1 Κ. Σωλήνας προέκτασης × 3 Λ. Πετσέτα βούρτσας δαπέδου × 1

ΣΗΜΕΙΩΣΗ: - Ελέγξτε πρώτα σε μια αθέαπη περιοχή αν το υλικό που σκοπεύετε να καθαρίσετε είναι κατάλληλο για καθαρισμό με ατμό, όπως π.χ.:

Ο ατμός μπορεί να προκαλέσει ξεθώριασμα του βερνικωμένου ξύλου ή του δέρματος.

Το απροστάτευτο ξύλο μπορεί να διογκωθεί.

Ο ατμός μπορεί να αφαιρέσει τα προστατευτικά στρώματα κεριού.

Τα πλαστικά μπορεί να χρωματιστούν όταν εκτεθούν στον ατμό.

Τα μαλακά πλαστικά μπορεί να παραμορφωθούν υπό την επίδραση του ατμού.

Το κρύο γυαλί ή οι επιφάνειες με καθρέφτη μπορεί να ραγίσουν όταν εκτεθούν σε καυτό ατμό.

- Μην γεμίζετε ποτέ τον ατμοκαθαριστή με άλλα υγρά εκτός από νερό.

- Σε καμία περίπτωση μην βάζετε τον ατμοκαθαριστή ή μεμονωμένα μέρη του στο πλυντήριο πιάτων. Θα υποστούν ζημιά.

- Σταματήστε να χρησιμοποιείτε τον ατμοκαθαριστή εάν τα πλαστικά μέρη του παρουσιάζουν ρωγμές, ζημιές ή είναι παραμορφωμένα. Αντικαταστήστε τα κατεστραμμένα εξαρτήματα μόνο με κατάλληλα γνήσια ανταλλακτικά.

- Μην χρησιμοποιείτε τον ατμοκαθαριστή με άδειο δοχείο. Όταν το δοχείο νερού εξαντληθεί, τραβήξτε το φιλ από το ηλεκτρικό δίκτυο για να αποφύγετε την υπερθέρμανση.

- Όταν επιθυμείτε να καθαρίσετε παράθυρα, ζεσάνετε τα πρώτα, π.χ. εφαρμόζοντας ατμό σε μεγαλύτερη περιοχή από μεγαλύτερη απόσταση και στη συνέχεια από πιο κοντινή απόσταση.

- Φοράτε γάντια, γυαλιά ασφαλείας και αναπνευστική προστασία όταν επιχειρείτε να απομακρύνετε βαβερές ουσίες.

Πριν από την πρώτη χρήση:

Αφαιρέστε όλα τα υλικά συσκευασίας και τα αυτοκόλλητα από τη μονάδα. Καθαρίστε τη μονάδα με ένα καθαρό και υγρό πανί.

Ανοίξτε τη συσκευή περιστρέφοντας το παξιμάδι ασφαλείας (1) προς τα αριστερά. Γεμίστε με νερό και αδειάστε το νερό. Αυτό θα απομακρύνει τυχόν υπολείμματα και εργοστασιακή βρωμιά από το εσωτερικό της συσκευής. Στη συνέχεια, συνεχίστε την κανονική λειτουργία.

Χρήση:

1. Τοποθετήστε τον ατμοκαθαριστή σε μια στεγνή και επίπεδη επιφάνεια και ανοίξτε το βύσμα ασφαλείας (1). Για να το κάνετε αυτό, πιέστε το πώμα σταθερά προς τα κάτω και γυρίστε το αριστερόστροφα.

2. Χρησιμοποιήστε το κύπελλο μέτρησης (B) και το χωνί (A) για να γεμίσετε τη συσκευή με νερό. Η μέγιστη χωρητικότητα είναι 400 ml. Προτείνουμε να γεμίζετε στα 350 ml για καλύτερη απόδοση και μεγαλύτερη παραγωγή ατμού. Εάν η δεξαμενή περιέχει περισσότερα από 350 ml, ο ατμός ενδέχεται να περιέχει λίγο νερό για τα πρώτα 2 λεπτά χρήσης.

Ειδικές σημειώσεις:

Παρακαλούμε χρησιμοποιήστε καθαρό νερό (μικρά στερεά σωματίδια μπορεί να μπλοκάρουν τον σωλήνα ή να προκαλέσουν βλάβη στη μηχανή)

Εάν το νερό της βρύσης στην περιοχή σας είναι σκληρό ή πολύ σκληρό, σας προτείνουμε να χρησιμοποιήσετε ένα μείγμα νερού βρύσης και αποσταγμένου νερού.

Παρακαλούμε να μην ρίχνετε λιγότερο από 150 ml νερού.

3. Κλείστε το καπάκι περιστρέφοντας το δεξιόστροφα.

4. Τοποθετήστε το φιλ του δικτύου σε μια πρίζα. Η κόκκινη λυχνία θα ανάψει για να υποδείξει τη θέρμανση.

5. Όταν ανάψει η πράσινη λυχνία, η συσκευή είναι έτοιμη για χρήση. Λάβετε υπόψη ότι η κόκκινη λυχνία ανάβει και σβήνει κατά τη διάρκεια της λειτουργίας. Παρακαλούμε να χρησιμοποιείτε τη συσκευή μόνο όταν ανάβει η πράσινη λυχνία. Διαφορετικά, το ζεστό νερό θα στάξει και θα εκτοξεύεται από τη συσκευή.

6. Γυρίστε την ασφάλεια ασφαλείας (6) στη θέση on. Στη συνέχεια, πατήστε τη σκανδάλη ατμού (7). Ο ατμός θα αρχίσει να βγαίνει από τη συσκευή. Θυμηθείτε να πατάτε πάντα τη σκανδάλη ατμού (7), όταν αφήσετε τη σκανδάλη ατμού (7), η ασφάλεια ασφαλείας για παιδιά (6) θα επιστρέψει στη θέση απενεργοποίησης.

Όταν τελειώσετε την εργασία σας ή όταν αδειάσει το δοχείο νερού:

Μετά τη λειτουργία:

1. Αποσυνδέστε τη συσκευή από την παροχή ρεύματος.

2. Πατήστε τη σκανδάλη ατμού (7) και κρατήστε την πατημένη μέχρι να σταματήσει η παραγωγή ατμού.

3. Αφήστε τη συσκευή να κρυώσει για περίπου 12-20 λεπτά, ανάλογα με την ποσότητα του ατμού που παραμένει στο εσωτερικό της.
4. Ξεβιδώστε αργά το καπάκι ασφαλείας (1) και περιμένετε μερικά λεπτά για να διαφύγει η υγρασία από τη συσκευή. Εάν δεν υπάρχει πλέον νερό στη δεξαμενή, η συσκευή θα σταματήσει να παράγει ατμό. Το νερό πρέπει να συμπληρωθεί. Για να το κάνετε αυτό, ακολουθήστε τα παρακάτω βήματα:
Γεμίστε ξανά τη δεξαμενή:
 1. Αποσυνδέστε τη συσκευή από την παροχή ρεύματος.
 2. Πατήστε τη σκανδάλη ατμού (7) και κρατήστε την πατημένη μέχρι να σταματήσει η παραγωγή ατμού.
 3. Αφήστε τη συσκευή να κρυώσει για περίπου 12-20 λεπτά, ανάλογα με την ποσότητα του ατμού που παραμένει στο εσωτερικό της.
 4. Ξεβιδώστε αργά το καπάκι ασφαλείας (1) και περιμένετε μερικά δευτερόλεπτα για να βγει ο υπόλοιπος ατμός.
 5. Γεμίστε αργά τη δεξαμενή με νερό ή ένα μείγμα νερού βρύσης και αποσταγμένου νερού. Βεβαιωθείτε ότι δεν ρίχνετε περισσότερο από 400 ml. (συνιστώνται 350 ml)
 6. Κλείστε ξανά το καπάκι ασφαλείας (1).

ΣΗΜΕΙΩΣΗ:

Ο ατμοκαθαριστής διαθέτει σύστημα προστασίας από υπερθέρμανση. Σε περίπτωση υπερθέρμανσης θα απενεργοποιηθεί αυτόματα. Λάβετε υπόψη ότι η συσκευή μπορεί να χαλάσει αν χρησιμοποιηθεί πάρα πολλές φορές με άδειο δοχείο. Βεβαιωθείτε ότι υπάρχει αρκετό νερό στη δεξαμενή ανά πάσα στιγμή κατά τη διάρκεια της λειτουργίας.

Περιγραφή και χρήση των αξεσουάρ:

D. Επίπεδη βούρτσα

Τοποθετήστε το μεγάλο ακροφύσιο στην εγκοπή της επίπεδης βούρτσας (3C) και περιστρέψτε το δεξιόστροφα μέχρι να ακούσετε ένα κλικ (3C). Μπορεί να καθαρίσει επίπεδες επιφάνειες όπως παράθυρα κ.λπ. Μετά τη χρήση, αφαιρέστε την επίπεδη βούρτσα περιστρέφοντάς την αριστερόστροφα.

Για τον καθαρισμό γραφείων και καρεκλών, βιβλιοθηκών ή για το σιδέρωμα ρούχων, τοποθετήστε μια λευκή πετσέτα πάνω από την επίπεδη βούρτσα (3C).

E. Μεγάλο ακροφύσιο

Το μεγάλο ακροφύσιο είναι χρήσιμο όταν καθαρίζετε τις γωνίες.

Για να το προσαρτήσετε, συνδέστε το φαρδύτερο άκρο του ακροφυσίου στην έξοδο ατμού, ώστε να ασφαλίσει το κλιπ ασφαλείας. (3B)

F. Εύκαμπτος σωλήνας επέκτασης

Εάν η επιφάνεια που προσπαθείτε να καθαρίσετε είναι δύσκολα προσβάσιμη, χρησιμοποιήστε έναν σωλήνα προέκτασης.

Για να συνδέσετε το φαρδύτερο άκρο του σωλήνα στην έξοδο ατμού, συνδέστε το με τέτοιο τρόπο ώστε να ασφαλίσει το κλιπ ασφαλείας.

G, H. Βούρτσα από νάilon και ανοξείδωτο ασάλι

Τοποθετήστε το μεγάλο ακροφύσιο (E) στην εγκοπή της στρογγυλής βούρτσας (3D) και περιστρέψτε το δεξιόστροφα μέχρι να ακούσετε ένα κλικ (3D). Μετά τη χρήση, αφαιρέστε τη στρογγυλή βούρτσα περιστρέφοντάς την αριστερόστροφα.

K. Σωλήνας προέκτασης x 3

Εάν η περιοχή καθαρισμού είναι δύσκολα προσβάσιμη ή η συσκευή χρησιμοποιείται για τον καθαρισμό δαπέδων ή γυαλιών σε ψηλά σημεία, μπορεί να χρησιμοποιηθεί με το σωλήνα επέκτασης. Ο τρόπος λειτουργίας είναι ο εξής: συνδέστε το άκρο του σωλήνα προέκτασης στην έξοδο ατμού μέχρι να κουμπώσει πλήρως η σταθερή κλειδαριά στο άνοιγμα του σωλήνα προέκτασης (όπως με το μεγάλο ακροφύσιο 3B) και να ασφαλίσει στη θέση του με έναν ήχο κλικ που υποδεικνύει ότι η συναρμολόγηση έχει ολοκληρωθεί. Λάβετε υπόψη ότι η χρήση του σωλήνα επέκτασης θα μειώσει τη θερμοκρασία του ατμού. Ανάλογα με τη θερμοκρασία του σωλήνα, ο ατμός που βγαίνει από το ακροφύσιο μπορεί να διαφέρει.

I. Βούρτσα δαπέδου

Χρησιμοποιήστε μια βούρτσα δαπέδου για να καθαρίσετε το δάπεδο.

Συνδέστε δύο ή τρεις σωλήνες προέκτασης (K) στη μονάδα μαζί. Συνδέστε το άλλο άκρο των σωλήνων προέκτασης στη βούρτσα δαπέδου. Πιέστε τα κουμπιά στις πλευρές της βούρτσας για να ανοίξουν οι σφικτήρες στερέωσης, εισάγετε την πετσέτα δαπέδου (L) στους ανοιχτούς σφικτήρες. Αφαιρέστε την πετσέτα μετά τη χρήση και στεγνώστε/πλύνετε πριν από την επόμενη χρήση.

Καθαρισμός:

1. Πριν από τον καθαρισμό τραβήξτε το βύσμα του δικτύου από την πρίζα.
2. Αφήστε τον ατμοκαθαριστή να κρυώσει πριν τον αποθηκεύσετε.
3. Σκουπίστε τον ατμοκαθαριστή και τα εξαρτήματα με ένα υγρό πανί. Αφήστε όλα τα εξαρτήματα να στεγνώσουν εντελώς.

Αποθήκευση:

Όλα τα μέρη πρέπει να είναι εντελώς στεγνά πριν από την αποθήκευση.

- Αποθηκεύετε πάντα τον ατμοκαθαριστή σε στεγνό, καθαρό και χωρίς σκόνη μέρος.

- Αποθηκεύστε τον ατμοκαθαριστή κάτω από ασφάλιση, τοποθετήστε τον έτσι ώστε η συσκευή να μην είναι προσβάσιμη στα παιδιά.

Αντιμετώπιση προβλημάτων

Πρόβλημα:

Δεν βγαίνει ατμός από το ακροφύσιο

Αιτία: Το βύσμα δεν έχει εισαχθεί στην πρίζα του δικτύου

Λύση: Συνδέστε τη συσκευή σε μια πρίζα ρεύματος

Αιτία: Δεν υπάρχει νερό στη δεξαμενή.

Λύση: Ρίξτε νερό στη δεξαμενή.

Αιτία: Το κουμπί ατμού δεν είναι πατημένο.

Λύση: Απελευθερώστε το κλειδίμα πρόσβασης για παιδιά και πατήστε το κουμπί ατμού.

Πρόβλημα:

Ανάβει μόνο η πράσινη λυχνία. Η κόκκινη λυχνία δεν ανάβει.

Αιτία: Το φως έχει καεί.

Λύση: Συμβουλευτείτε την κεντρική υπηρεσία.

Πρόβλημα:

Η κόκκινη λυχνία είναι πάντα αναμμένη, η πράσινη λυχνία δεν ανάβει.

Αιτία: Σπασμένα εσωτερικά ηλεκτρικά εξαρτήματα ή σπασμένος θερμοστάτης.

Λύση: Συμβουλευτείτε το κεντρικό τμήμα σέρβις.

Πρόβλημα:

Κόκκινο φως που τρεμοπαίζει.

Αιτία: Έλλειψη νερού ή κακή σύνδεση δικτύου.

Λύση: Ελέγξτε ότι η συσκευή είναι σωστά συνδεδεμένη και πλήρως συνδεδεμένη στο δίκτυο. Προσθέστε νερό. Εάν το τρεμόπαιγμα εξακολουθεί να εμφανίζεται, επικοινωνήστε με την κεντρική υπηρεσία.

Πρόβλημα:

Βγαίνει νερό από το ακροφύσιο.

Αιτία: Δεν χρησιμοποιείται για μεγάλο χρονικό διάστημα και ο ατμός στο ακροφύσιο/αξεσουάρ συμπυκνώνεται.

Λύση: Φυσιολογικό φαινόμενο. Πατήστε το κουμπί απελευθέρωσης ατμού για 2 δευτερόλεπτα.

Εάν η συσκευή εξακολουθεί να φτύνει νερό από το ακροφύσιο πολύ νερό στη συσκευή.

Εάν βγαίνει μη ανθρακούχο νερό από το ακροφύσιο μετά από παρατεταμένη χρήση, επικοινωνήστε με το κεντρικό σέρβις.

Άλλα προβλήματα:

Ατμός που βγαίνει από τη συσκευή από άλλα σημεία εκτός από το ακροφύσιο ατμού.

Πλαστική παραμόρφωση ή μαλάκωμα του πλαστικού.

Μετά το άδειασμα της συσκευής ή την απελευθέρωση του ατμού, το καπάκι ασφαλείας (1) εξακολουθεί να μην μπορεί να ανοίξει.

Λύση: Επικοινωνήστε με την κεντρική υπηρεσία.

Τεχνικά στοιχεία:

Τάση: 50/60 Hz: 220-240V~ 50/60 Hz

Χωρητικότητα: 400 ml

Ισχύς: 1200W

Μέγιστη ισχύς: 2000W



Για χάρη του περιβάλλοντος. Οι χάρτινες συσκευασίες και οι σακούλες πολυαιθυλενίου (PE) θα πρέπει να απορρίπτονται στους κατάλληλους περιέκτες για χωριστή συλλογή αστικών απορριμμάτων σύμφωνα με την περιγραφή τους. Εάν υπάρχουν μπαταρίες στη συσκευή, αυτές πρέπει να αφαιρεθούν και να απορριφθούν χωριστά σε μια εγκατάσταση συλλογής και αποθήκευσης. Η χρησιμοποιημένη συσκευή πρέπει να μεταφερθεί σε κατάλληλη εγκατάσταση συλλογής και αποθήκευσης, καθώς οι επικίνδυνες ουσίες που περιέχει ενδέχεται να θέσουν σε κίνδυνο την υγεία και το περιβάλλον. Η σήμανση στο προϊόν υποδεικνύει ότι η συσκευή δεν πρέπει να απορρίπτεται στον αστικό κάδο απορριμμάτων. Τα απόβλητα ηλεκτρικών συσκευών είναι απόβλητα που περιέχουν ουσίες που είναι επιβλαβείς για τον άνθρωπο, τα ζώα και το περιβάλλον. Οι ουσίες αυτές μπορεί να μολύνουν το έδαφος, το νερό ή τον αέρα και μέσω αυτού να εισέλθουν στον ανθρώπινο οργανισμό και να οδηγήσουν σε διάφορα προβλήματα υγείας, όπως διαταραχές της όρασης, της ακοής, της όσμιας, μπορεί επίσης να βλάψουν τα νεφρά, το σκυώτι και την καρδιά και να προκαλέσουν δερματικές παθήσεις. Οι επιβλαβείς ουσίες μπορούν επίσης να έχουν δυσμενείς επιπτώσεις στο αναπνευστικό και το αναπαραγωγικό σύστημα και να οδηγήσουν σε καρκινικές μεταβολές. Η κατανάλωση φυτών που αναπτύσσονται στα προσβεβλημένα εδάφη, καθώς και προϊόντων που παρασκευάζονται από αυτά, μπορεί να έχει ως αποτέλεσμα τις προαναφερθείσες επιπτώσεις στην υγεία. **Μην πτάτε τον εοπηισμό στον κάδο αστικών απορριμμάτων!**
Υπηρεσία Εάν επιθυμείτε να αγοράσετε ανταλλακτικά ή έχετε οποιαδήποτε παράπονα, παρακαλούμε επικοινωνήστε απευθείας με τον αντιπρόσωπο που εξέδωσε την απόδειξη παραλαβής.

Gebruikershandleiding (NL)

VEILIGHEIDSVOORWAARDEN

BELANGRIJKE VEILIGHEIDSINSTRUCTIES VOOR GEBRUIK ZORGVULDIG LEZEN EN BEWAREN VOOR TOEKOMSTIG GEBRUIK

Garantievoorwaarden zijn anders als het apparaat wordt gebruikt voor commerciële doeleinden.

1. Lees de volgende instructies zorgvuldig door en volg ze altijd op voordat u het product gebruikt. De fabrikant is niet verantwoordelijk voor schade veroorzaakt door verkeerd gebruik.
2. Het product mag alleen binnenshuis worden gebruikt. Gebruik het product niet voor doeleinden die onverenigbaar zijn met het gebruik ervan.
3. De toepasselijke spanning is 230V, ~50Hz. Sluit om veiligheidsredenen niet meerdere apparaten aan op één stopcontact.
4. Wees voorzichtig bij gebruik met kinderen. Laat kinderen niet met het product spelen. Laat kinderen of personen die niet vertrouwd zijn met het apparaat, het niet gebruiken zonder toezicht.
5. **WAARSCHUWING:** Dit apparaat mag alleen worden gebruikt door kinderen ouder dan 8 jaar en personen met beperkte lichamelijke, zintuiglijke of geestelijke vermogens, of personen zonder ervaring of kennis van het apparaat, onder toezicht van een persoon die verantwoordelijk is voor hun veiligheid of als zij instructies hebben gekregen over het veilige gebruik van het apparaat en zich bewust zijn van de gevaren die gepaard gaan met het gebruik ervan. Kinderen mogen niet met het apparaat spelen. Reiniging en onderhoud van het apparaat mogen

- niet door kinderen worden uitgevoerd, tenzij ze minstens 8 jaar oud zijn en deze handelingen onder toezicht worden uitgevoerd.
6. Als u klaar bent met het gebruik van het product, moet u altijd voorzichtig de stekker uit het stopcontact halen door het stopcontact met uw hand vast te houden. Trek nooit aan het netsnoer!!!
 7. Laat het product nooit zonder toezicht aangesloten op een stroombron. Zelfs als het gebruik voor korte tijd wordt onderbroken, schakel het dan uit van het lichtnet, trek de stekker uit het stopcontact.
 8. Leg het netsnoer, de stekker of het hele apparaat nooit in water. Stel het product nooit bloot aan weersomstandigheden zoals direct zonlicht, regen, enz. Gebruik het product nooit in natte omstandigheden.
 9. Controleer regelmatig de staat van het netsnoer. Als het netsnoer beschadigd is, breng het product dan naar een professioneel servicecentrum voor vervanging om gevaarlijke situaties te voorkomen.
 10. Gebruik het product nooit met een beschadigd netsnoer, als het is gevallen of op een andere manier beschadigd is, of als het niet goed werkt. Probeer een defect product niet zelf te repareren, want dit kan leiden tot een elektrische schok. Breng het defecte apparaat altijd naar een professioneel servicecentrum voor reparatie. Reparaties mogen alleen worden uitgevoerd door erkende servicemonteurs. Verkeerd uitgevoerde reparaties kunnen leiden tot gevaarlijke situaties voor de gebruiker.
 11. Plaats het product nooit op of in de buurt van hete of warme oppervlakken of kooktoestellen, zoals een elektrische oven of gasbrander.
 12. Gebruik het product nooit in de buurt van brandbare materialen.
 13. Laat het snoer niet over de rand van het aanrecht hangen.
 14. Als het apparaat te vol is, kan er kokend water uit spuiten.
 15. Richt de stoomreiniger nooit op uzelf, andere mensen, dieren of elektrische apparaten zoals ovens.
 16. Gebruik het apparaat alleen met originele accessoires.
 17. Blokkeer de openingen van het apparaat niet en steek geen voorwerpen in de openingen.
 18. Kantel het apparaat niet meer dan 45 graden. Het apparaat is ontworpen om rechtop te werken.

19. Haal de stekker uit het stopcontact voordat u water in het apparaat giet.

20. Voeg geen stoffen toe aan het water van het apparaat: ontkalkers, aromatische oliën, schoonmaakmiddelen.

21. Zorg ervoor dat het deksel van het waterreservoir stevig op het apparaat is geschroefd.



WAARSCHUWING: HEET STOOM Gevaar voor verbranding

Beschrijving van het apparaat:

1. Veiligheidskraan
2. Vulopening
3. Vergrendelkap
4. Stoomuitlaat
5. Controlelampje
6. Kinderslot
7. Stoomvrijgave
8. Stekker

Accessoires: A. Trechter × 1 B. Maatbeker × 1 C. Handdoekenset × 1 D. Platte borstel × 1 E. Groot mondstuk × 1 F. Verlengslang × 1 G. Nylon borstel × 1 H. Roestvrijstalen borstel × 1 I. Vloerborstel × 1 J. Vloerborstelplug × 1 K. Verlengbuis × 3 L. Handdoek vloerborstel x1

OPMERKING: - Controleer eerst op een ongeziene plaats of het materiaal dat u wilt reinigen geschikt is voor stoomreiniging, zoals: Stoom kan verbleking van gelakt hout of leer veroorzaken.
Onbeschermd hout kan opzwellen.
Stoom kan beschermende waslagen verwijderen.
Kunststoffen kunnen verkleuren bij blootstelling aan stoom.
Zachte kunststoffen kunnen vervormen onder invloed van stoom.
Koud glas of spiegeloppervlakken kunnen barsten bij blootstelling aan hete stoom.

- Vul de stoomreiniger nooit met andere vloeistoffen dan water.
- Zet de stoomreiniger of losse onderdelen in geen geval in de vaatwasser. Ze zouden beschadigd raken.
- Stop met het gebruik van de stoomreiniger als de plastic onderdelen barsten, beschadigingen of vervormingen vertonen. Vervang beschadigde onderdelen alleen door geschikte originele reserveonderdelen.
- Gebruik de stoomreiniger niet met een lege tank. Trek de stekker uit het stopcontact als de watertank leeg is om oververhitting te voorkomen.
- Als u ramen wilt reinigen, warm ze dan eerst op, bijvoorbeeld door van een grotere afstand stoom te gebruiken op een groter oppervlak en daarna van een kleinere afstand.
- Draag handschoenen, een veiligheidsbril en ademhalingsbescherming bij het verwijderen van schadelijke stoffen.

Voor het eerste gebruik:

Verwijder alle verpakkingsmaterialen en stickers van het apparaat. Reinig het apparaat met een schone en vochtige doek. Open het apparaat door de veiligheidsmoer (1) naar links te draaien. Vul het apparaat met water en giet het water eruit. Hierdoor worden alle resten en fabrieksvuil van de binnenkant van het apparaat verwijderd. Ga daarna verder met de normale werking.

Gebruik:

1. Plaats de stoomreiniger op een droog en vlak oppervlak en open de veiligheidsplug (1). Druk hiervoor de dop stevig in en draai hem tegen de klok in.
 2. Gebruik de maatbeker (B) en trechter (A) om het apparaat met water te vullen. De maximale capaciteit is 400 ml. We raden aan tot 350 ml te vullen voor betere prestaties en een hogere stoomproductie. Als er meer dan 350 ml in het reservoir zit, kan de stoom wat water bevatten gedurende de eerste 2 minuten van gebruik.
- Speciale opmerkingen:

Gebruik schoon water (kleine vaste deeltjes kunnen het pijpje blokkeren of ervoor zorgen dat het apparaat defect raakt)
Als het leidingwater in uw omgeving hard of zeer hard is, raden we u aan een mengsel van leidingwater en gedestilleerd water te gebruiken.

Giet niet minder dan 150 ml water.

3. Sluit de dop door deze met de klok mee te draaien.

4. Steek de stekker in een stopcontact. Er gaat een rood lampje branden om aan te geven dat het apparaat opgewarmd is.

5. Als het groene lampje gaat branden, is het apparaat klaar voor gebruik. Houd er rekening mee dat het rode lampje aan en uit gaat tijdens het gebruik. Gebruik het apparaat alleen als het groene lampje brandt. Anders druppelt er heet water uit het apparaat.

6. Draai het kinderslot (6) naar de aan-stand. Druk vervolgens op de stoomknop (7). Er zal stoom uit het apparaat komen. Vergeet niet om altijd de stoomtrigger (7) in te drukken, wanneer u de stoomtrigger (7) loslaat zal het kinderslot (6) teruggaan naar de uit-stand.

Als u klaar bent met werken of als het waterreservoir leeg is:

Na gebruik:

1. Haal de stekker van het apparaat uit het stopcontact.

2. Druk op de stoomknop (7) en houd deze ingedrukt totdat er geen stoom meer wordt geproduceerd.

3. Laat het apparaat ongeveer 12-20 minuten afkoelen, afhankelijk van de hoeveelheid stoom die er nog in zit.

4. Draai de veiligheidsdop (1) langzaam los en wacht een paar minuten zodat het vocht uit het apparaat kan ontsnappen.

Als er geen water meer in de tank zit, stopt het apparaat met het produceren van stoom. Het water moet worden bijgevuld. Volg hiervoor de onderstaande stappen:

Vul de tank opnieuw:

1. Koppel het apparaat los van het elektriciteitsnet.

2. Druk op de stoomknop (7) en houd deze ingedrukt totdat er geen stoom meer wordt geproduceerd.

3. Laat het apparaat ongeveer 12-20 minuten afkoelen, afhankelijk van de hoeveelheid stoom die er nog in zit.

4. Schroef de veiligheidsdop (1) langzaam los en wacht een paar seconden tot de resterende stoom is ontsnapt.

5. Vul het reservoir langzaam met water of een mengsel van kraanwater en gedestilleerd water. Giet niet meer dan 400 ml. (350 ml aanbevolen)

6. Sluit de veiligheidsdop weer (1).

OPMERKING:

De stoomreiniger heeft een oververhittingsbeveiliging. Hij schakelt automatisch uit als hij oververhit raakt. Houd er rekening mee dat het apparaat defect kan raken als het te vaak wordt gebruikt met een lege tank. Zorg ervoor dat er tijdens het gebruik altijd voldoende water in de tank zit.

Beschrijving en gebruik van accessoires:

D. Platte borstel

Steek het grote mondstuk in de inkeping van de platte borstel (3C) en draai het met de klok mee tot je een klik hoort (3C). Hiermee kun je vlakke oppervlakken zoals ramen enz. schoonmaken. Na gebruik verwijder je de platte borstel door hem tegen de klok in te draaien.

Om bureaus en stoelen, boekenkasten of strijkgoed schoon te maken, leg je een witte handdoek over de platte borstel (3C).

E. Groot mondstuk

Het grote mondstuk komt van pas bij het reinigen van hoeken.

Om te bevestigen, sluit je het bredere uiteinde van het mondstuk aan op de stoomuitlaat zodat de veiligheidsclip vastklikt. (3B)

F. Verlengslang

Als het oppervlak dat je probeert schoon te maken moeilijk bereikbaar is, gebruik dan een verlengslang.

Sluit het bredere uiteinde van de slang zo aan op de stoomuitlaat dat de veiligheidsclip vastklikt.

G. H. Nylon en roestvrij stalen borstel

Steek het grote mondstuk (E) in de inkeping van de ronde borstel (3D) en draai het met de klok mee tot je een klik hoort (3D). Na gebruik verwijder je de ronde borstel door hem tegen de klok in te draaien.

K. Verlengbuis x 3

Als de reinigingszone moeilijk toegankelijk is of als het apparaat wordt gebruikt om vloeren of glas op hoge plaatsen te reinigen, kan het worden gebruikt met het verlengstuk. Het werkt als volgt: sluit het uiteinde van het verlengstuk aan op de stoomuitlaat totdat de stationaire vergrendeling volledig in de opening van het verlengstuk is geklikt (zoals bij het grote mondstuk 3B) en op zijn plaats is vergrendeld met een klikkend geluid ten teken dat de montage is voltooid. Houd er rekening mee dat het gebruik van de verlengbuis de temperatuur van de stoom zal verlagen. Afhankelijk van de temperatuur van het pijpje kan de stoom die uit het pijpje komt variëren.

I. Vloerborstel

Gebruik een vloerborstel om de vloer schoon te maken.

Sluit twee of drie verlengbuizen (K) aan op het apparaat. Bevestig het andere uiteinde van de verlengbuizen aan de vloerborstel. Druk op de knoppen aan de zijkanten van de borstel om de bevestigingsklemmen te openen en steek de dweil (L) in de geopende klemmen. Verwijder de handdoek na gebruik en droog/was hem af voor het volgende gebruik.

Schoonmaken:

1. Trek voor het schoonmaken de stekker uit het stopcontact.
2. Laat de stoomreiniger afkoelen voordat u hem opbergt.
3. Neem de stoomreiniger en accessoires af met een vochtige doek. Laat alle onderdelen volledig drogen.

Opslag:

Alle onderdelen moeten volledig droog zijn voordat ze worden opgeborgen.

- Bewaar de stoomreiniger altijd op een droge, schone en stofvrije plaats.
- Berg de stoomreiniger op onder afsluiting, plaats het apparaat zo dat het ontoegankelijk is voor kinderen.

Problemen oplossen

Probleem:

Er komt geen stoom uit het mondstuk

Oorzaak: de stekker zit niet in het stopcontact

Oplossing: Steek de stekker in het stopcontact

Oorzaak: Geen water in het reservoir.

Oplossing: Giet water in de tank.

Oorzaak: De stoomknop is niet ingedrukt.

Oplossing: Maak het kinderslot los en druk op de stoomknop.

Probleem:

Alleen het groene lampje brandt. Het rode lampje gaat niet aan.

Oorzaak: Lampje doorgebrand.

Oplossing: Raadpleeg de centrale service.

Probleem:

Rood lampje brandt altijd, groen lampje brandt niet.

Oorzaak: kapotte interne elektrische onderdelen of kapotte thermostaat.

Oplossing: Neem contact op met de centrale serviceafdeling.

Probleem:

Flikkerend rood licht.

Oorzaak: Gebrek aan water of slechte netwerkverbinding.

Oplossing: Controleer of het apparaat correct is aangesloten en volledig is aangesloten op het elektriciteitsnet. Voeg water toe. Als het flikkeren nog steeds optreedt, neem dan contact op met de centrale service.

Probleem:

Er komt water uit het mondstuk.

Oorzaak: Lange tijd niet gebruikt en stoom in sproeier/accessoires condenseert.

Oplossing: Normaal verschijnsel. Druk 2 seconden op de knop voor stoomontlading.

Als het apparaat nog steeds water uit het pijpje spuugt, zit er te veel water in het apparaat.

Neem contact op met de centrale service als er na langdurig gebruik niet-koolzuurhoudend water uit het pijpje komt.

Andere problemen:

Stoom die uit het apparaat komt van andere plaatsen dan het stoompijpje.

Plastic vervorming of zacht worden van het plastic.

Na het legen van het apparaat of het afblazen van de stoom kan de veiligheidskap (1) nog steeds niet worden geopend.

Oplossing: Neem contact op met de centrale service.

Technische gegevens:

Spanning: 220-240V~ 50/60 Hz

Inhoud: 400 ml
Vermogen: 1200W
Maximaal vermogen: 2000W



Voor het milieu. Kartonnen verpakkingen en polyethyleen (PE) zakken moeten worden weggegooid in de daarvoor bestemde containers voor gescheiden inzameling van huishoudelijk afval volgens hun beschrijving. Als er batterijen in het apparaat zitten, moeten deze worden verwijderd en apart worden ingeleverd bij een inzamel- en opslagpunt. Het gebruikte apparaat moet naar een geschikte inzamel- en opslagplaats worden gebracht, omdat de gevaarlijke stoffen die het bevat een risico kunnen vormen voor de gezondheid en het milieu. De markering op het product geeft aan dat het apparaat niet in de gemeentelijke afvalcontainer mag worden gooid. Afgedankte elektrische apparaten zijn afvalstoffen die stoffen bevatten die schadelijk zijn voor mens, dier en milieu. Deze stoffen kunnen de bodem, het water of de lucht verontreinigen en zo het menselijk lichaam binnendringen en leiden tot een aantal gezondheidsproblemen, zoals verminderd gezichtsvermogen, gehoor, spraak, kunnen ook de nieren, de lever en het hart beschadigen en huidziekten veroorzaken. Schadelijke stoffen kunnen ook nadelige effecten hebben op het ademhalings- en voortplantingssysteem en leiden tot kankerachtige veranderingen. Het consumeren van planten die op de aangetaste bodems groeien en producten die van deze bodems gemaakt zijn, kan leiden tot bovengenoemde gezondheidseffecten. **Gooi de apparatuur niet bij het huisvuil!**



Service Als u reserveonderdelen wilt kopen of als u klachten hebt, kunt u rechtstreeks contact op met de dealer die de aankoopbon heeft afgegeven.

Navodila za uporabo (SL)

VARNOSTNI POGOJI

POMEMBNA VARNOSTNA NAVODILA ZA UPORABO POZORNO PREBERITE IN SHRANITE ZA POZNEJŠO UPORABO

Garancijski pogoji so drugačni, če se naprava uporablja v komercialne namene.

1. Pred uporabo izdelka natančno preberite naslednja navodila in jih vedno upoštevajte. Proizvajalec ni odgovoren za morebitno škodo, ki bi nastala zaradi napačne uporabe.
2. Izdelek se lahko uporablja samo v zaprtih prostorih. Izdelka ne uporabljajte za namene, ki niso združljivi z njegovo uporabo.
3. Uporabna napetost je 230 V, ~50 Hz. Iz varnostnih razlogov na eno električno vtičnico ne priključite več naprav.
4. Bodite previdni pri uporabi z otroki. Otrokom ne dovolite, da se igrajo z izdelkom. Otrokom ali osebam, ki niso seznanjene z napravo, ne dovolite, da jo uporabljajo brez nadzora.
5. **OPOZORILO:** Ta aparat lahko uporabljajo otroci, starejši od 8 let, in osebe z omejenimi fizičnimi, senzoričnimi ali duševnimi sposobnostmi ali osebe brez izkušenj ali znanja o aparatu le pod nadzorom osebe, ki je odgovorna za njihovo varnost, ali če so bili poučeni o varni uporabi aparata in se zavedajo nevarnosti, povezanih z njegovim delovanjem. Otroci se z napravo ne smejo igrati. Čiščenje in vzdrževanje aparata ne smejo

opravljati otroci, razen če so stari vsaj 8 let in če ta opravila potekajo pod nadzorom.

6. Ko končate z uporabo izdelka, vedno ne pozabite nežno izvleči vtiča iz vtičnice tako, da vtič držite z roko. Nikoli ne potegnite za napajalni kabel!!!

7. Izdelka, ki je priključen na vir napajanja, nikoli ne puščajte brez nadzora. Tudi če je uporaba za kratek čas prekinjena, ga izklopite iz električnega omrežja in odklopite napajalnik.

8. Napajalnega kabla, vtiča ali celotne naprave nikoli ne polagajte v vodo. Izdelka nikoli ne izpostavljajte vremenskim vplivom, kot so neposredna sončna svetloba, dež itd. Izdelka nikoli ne uporabljajte v mokrih razmerah.

9. Redno preverjajte stanje napajalnega kabla. Če je napajalni kabel poškodovan, izdelek odnesite v strokovni servisni center, kjer ga bodo zamenjali, da se izognete nevarnim situacijam.

10. Izdelka nikoli ne uporabljajte s poškodovanim napajalnim kablom ali če je padel ali se kako drugače poškodoval ali če ne deluje pravilno.

Poškodovanega izdelka ne poskušajte popraviti sami, saj lahko pride do električnega udara. Pokvarjeno napravo vedno odnesite v popravilo v strokovni servisni center. Vsa popravila lahko opravljajo le pooblašteni servisni tehniki. Nepravilno izvedena popravila lahko povzročijo nevarne situacije za uporabnika.

11. Izdelka nikoli ne postavljajte na ali v bližino vročih ali toplih površin ali kuhalnih naprav, kot sta električna pečica ali plinski gorilnik.

12. Izdelka nikoli ne uporabljajte v bližini vnetljivih materialov.

13. Ne dovolite, da bi kabel visel z roba pulta.

14. Če je naprava prepolna, lahko iz nje brizgne vrelo vodo.

15. Parnega čistilnika nikoli ne usmerjajte proti sebi, drugim ljudem, živalim ali električnim napravam, npr. pečici .

16. Napravo lahko uporabljate samo z originalnim dodatkom.

17. Ne zapirajte odprtih aparatov in v odprtine ne vstavljajte nobenih predmetov.

18. Naprave ne nagibajte za več kot 45 stopinj. Naprava je bila zasnovana za delovanje v pokončnem položaju.

19. Preden v stroj nalijete vodo, ga izključite iz električnega omrežja.

20. Vodi, ki se uporablja v aparatu, ne dodajajte nobenih snovi: sredstev za odstranjevanje vodnega kamna, aromatičnih olj, čistil.

21. Prepričajte se, da je pokrov posode za vodo trdno pravit na aparat.



OPOZORILO: VROČA PARA Nevarnost opeklin

Opis naprave:

1. Varnostna pipa
2. Odprtina za polnjenje
3. Zapiralni pokrovček
4. Izhod za paro
5. Indikatorska lučka
6. Otroška ključavnica
7. Spuščanje pare
8. Vtič za napajanje

Dodatna oprema: A. Lijak × 1 B. Merilna skodelica × 1 C. Komplet brisač × 1 D. Ploščata krtača × 1 E. Velika šoba × 1 F. Podaljševalna cev × 1 G. Najlonska krtača × 1 H. Krtača iz nerjavečega jekla × 1 I. Krtača za tla × 1 J. Priključek za talno krtačo × 1 K. Podaljševalna cev × 3 L. Brisača za talno krtačo × 1

OPOMBA: - Najprej na nevidnem mestu preverite, ali je material, ki ga nameravate očistiti, primeren za čiščenje s paro, kot npr. Para lahko povzroči bledenje lakiranega lesa ali usnja.

Nezaščiten les lahko nabrekne.

Para lahko odstrani zaščitne plasti voska.

Plastika se lahko ob izpostavljenosti pari obarva.

Mehka plastika se lahko pod vplivom pare deformira.

Hladno steklo ali zrcalne površine lahko pod vplivom vroče pare popokajo.

- Parnega čistilnika nikoli ne polnite s tekočinami, razen z vodo.

- Parnega čistilnika ali posameznih delov nikakor ne vstavljajte v pomivalni stroj. Lahko bi se poškodovali.

- Parni čistilec prenehajte uporabljati, če imajo njegovi plastični deli razpoke, poškodbe ali so deformirani. Poškodovane dele zamenjajte samo z ustreznimi originalnimi nadomestnimi deli.

- Parnega čistilnika ne uporabljajte s praznim rezervoarjem. Ko je rezervoar za vodo izprazen, izvlecite vtič iz električnega omrežja, da preprečite pregrevanje.

- Če želite očistiti okna, jih najprej ogrejte, npr. tako, da z večje razdalje nanesete paro na večjo površino, nato pa še z bližje razdalje.

- Pri poskusu odstranjevanja škodljivih snovi nosite rokavice, zaščitna očala in zaščitno dihal.

Pred prvo uporabo:

Odstranite vse embalažne materiale in nalepke z enote. Enoto očistite s čisto in vlažno krpo. Odprite napravo tako, da zavrtite varnostno matico (1) v levo. Napolnite aparat z vodo in jo izlijte. S tem boste iz notranjosti naprave odstranili vse ostanke in tovarniško umazanijo. Nato nadaljujte z običajnim delovanjem.

Uporaba:

1. Postavite parni čistilnik na suho in ravno površino ter odprite varnostni vtič (1). To storite tako, da pokrovček močno pritisnete navzdol in ga zavrtite v nasprotni smeri urinega kazalca.

2. Z merilno posodo (B) in lijakom (A) napolnite napravo z vodo. Največja prostornina je 400 ml. Za boljše delovanje in večjo proizvodnjo pare priporočamo, da napolnite do 350 ml. Če je v rezervoarju več kot 350 ml, lahko para v prvih dveh minutah uporabe vsebuje nekaj vode.

Posebne opombe:

Uporabite čisto vodo (majhni trdni delci lahko zamašijo cev ali povzročijo okvaro naprave)

Če je voda iz pipe na vašem območju trda ali zelo trda, predlagamo uporabo mešanice vode iz pipe in destilirane vode.

Ne nalijte manj kot 150 ml vode.

3. Zaprite pokrovček tako, da ga obrnete v smeri urinega kazalca.

4. Omrežni vtič vstavite v električno vtičnico. Prižgala se bo rdeča lučka, ki označuje segrevanje.

5. Ko se prižge zelena lučka, je aparat pripravljen za uporabo. Upoštevajte, da se rdeča lučka med delovanjem prižiga in ugaša. Napravo uporabljajte le, ko sveti zelena lučka. V nasprotnem primeru bo iz naprave kapljala in brizgala vroča voda.
6. Otroško ključavnico (6) obrnite v položaj za vklop. Nato pritisnite sprožilec za paro (7). Iz naprave bo začela izhajati para. Ne pozabite vedno pritisniti sprožilca za paro (7), ko sprožilnik za paro (7) spustite, se bo otroška ključavnica (6) vrnila v položaj za izklop.

Ko končate z delom ali ko izpraznite rezervoar za vodo:

Po končanem delu:

1. Odklopite napravo iz električnega omrežja.
 2. Pritisnite sprožilec za paro (7) in ga držite pritisnjene, dokler ne preneha proizvajati pare.
 3. Pustite aparat, da se ohladi za približno 12-20 minut, odvisno od količine pare, ki je ostala v notranjosti.
 4. Počasi odvijte varnostni pokrovček (1) in počakajte nekaj minut, da se vlaga iz aparata izloči.
- Če v rezervoarju ni več vode, aparat preneha proizvajati paro. Vodo je treba dopolniti. To storite tako, da sledite spodnjim korakom:
- Ponovno napolnite rezervoar:
1. Napravo odklopite iz električnega omrežja.
 2. Pritisnite sprožilec za paro (7) in ga držite pritisnjene, dokler se para ne preneha proizvajati.
 3. Pustite aparat, da se ohladi za približno 12-20 minut, odvisno od količine pare, ki je ostala v notranjosti.
 4. Počasi odvijte varnostni pokrovček (1) in počakajte nekaj sekund, da se preostala para sprosti.
 5. Rezervoar počasi napolnite z vodo ali mešanico vode iz pipe in destilirane vode. Prepričajte se, da ne nalijete več kot 400 ml. (priporočljivo je 350 ml)
 6. Ponovno zaprite varnostni pokrovček (1).

OPOMBA:

Parni čistilnik ima sistem za zaščito pred pregrevanjem. Če se pregreje, se samodejno izklopi. Upoštevajte, da se lahko naprava pokvari, če jo prevečkrat uporabljate s praznim rezervoarjem. Poskrbite, da bo v rezervoarju ves čas delovanja dovolj vode.

Opis in uporaba dodatne opreme:

D. Ploska krtača

Vstavite veliko šobo v zarezo ploščate krtače (3C) in jo obračajte v smeri urinega kazalca, dokler ne zaslišite klika (3C). Z njo lahko očistite ravne površine, kot so okna itd. Po uporabi odstranite ravno krtačo tako, da jo obrnete v nasprotni smeri urinega kazalca. Za čiščenje miz in stolov, knjižnih omar ali likanja oblačil na ravno krtačo (3C) položite belo brisačo.

E. Velika šoba

Velika šoba je priročna pri čiščenju kotov.

Širši konec šobe priključite na izhod za paro tako, da se varnostna sponka zaskoči. (3B)

F. Podaljševalna cev

Če je površina, ki jo želite očistiti, težko dostopna, uporabite podaljševalno cev.

Širši konec cevi pritrdite na izhod za paro tako, da se zaskoči varnostna sponka.

G, H. Krtača iz najlona in nerjavečega jekla

Veliki nastavek (E) vstavite v zarezo okrogle krtače (3D) in ga obračajte v smeri urinega kazalca, dokler ne zaslišite klika (3D). Po uporabi odstranite okroglo krtačo tako, da jo obrnete v nasprotni smeri urinega kazalca.

K. Podaljšek x 3

Če je območje čiščenja težko dostopno ali aparat uporabljate za čiščenje tal ali stekla na visokih mestih, ga lahko uporabljate s podaljševalno cevjo. Deluje na naslednji način: konec podaljševalne cevi priključite na izhod za paro, dokler stacionarna ključavnica ni popolnoma vpeta v odprto podaljševalno cev (kot pri veliki šobi 3B) in zaklenjena s klikom, ki pomeni, da je montaža končana. Upoštevajte, da se zaradi uporabe podaljševalne cevi zniža temperatura pare. Glede na temperaturo cevi se lahko para, ki izhaja iz šobe, razlikuje.

I. Krtača za tla

Za čiščenje tal uporabite talno krtačo.

Na enoto skupaj priključite dve ali tri podaljševalne cevi (K). Drugi konec podaljškov priključite na talno krtačo. Pritisnite gumbe na straneh krtače, da odprete pritrdilne objemke, v odprte objemke vstavite talno brisačo (L). Po uporabi brisačo odstranite in jo pred naslednjo uporabo posušite/oprhajte.

Čiščenje:

1. Pred čiščenjem izvlecite omrežni vtič iz vtičnice.
2. Pred shranjevanjem počakajte, da se parni čistilnik ohladi.
3. Parni čistilnik in dodatno opremo obrišite z vlažno krpo. Vse dele pustite, da se popolnoma posušijo.

Shranjevanje:

Pred skladiščenjem morajo biti vsi deli popolnoma suhi.

- Parni čistilnik vedno shranjujte v suhem, čistem in brezprašnem prostoru.

- Parni čistilec shranjujte pod ključavnico, postavite ga tako, da je naprava nedostopna otrokom.

Odpravljanje težav

Težava:

Iz šobe ne prihaja para

Vzrok: vtič ni vstavljen v omrežno vtičnico

Rešitev: Napravo vtaknite v električno vtičnico

Vzrok: V posodi ni vode.

Rešitev: Nalijte vodo v rezervoar.

Vzrok: Gumb za paro ni pritisnjen.

Rešitev: Sprostite otroško ključavnico in pritisnite gumb za paro.

Težava:

Prižgana je samo zelena lučka. Rdeča lučka se ne prižge.

Vzrok: Lučka je pregorela.

Rešitev: Posvetujte se s centralno službo.

Težava:

Rdeča lučka vedno sveti, zelena pa ne.

Vzrok: Pokvarjeni notranji električni deli ali pokvarjen termostat.

Rešitev: Posvetujte se s centralno servisno službo.

Težava:

Utripajoča rdeča luč.

Vzrok: pomanjkanje vode ali slaba omrežna povezava.

Rešitev: Preverite, ali je aparat pravilno in v celoti priključen na električno omrežje. Dodajte vodo. Če se utripanje še vedno pojavlja, se obrnite na centralno službo.

Težava:

Iz šobe priteka voda.

Vzrok: dalj časa se ne uporablja in para v šobi/pripomočkih se kondenzira.

Rešitev: Normalen pojav. Za 2 sekundi pritisnite gumb za sprostitve pare.

Če aparat še vedno pljuva vodo iz šobe, je v aparatu preveč vode.

Če po daljši uporabi iz šobe priteče negazirana voda, se obrnite na centralni servis.

Druge težave:

Iz aparata prihaja para z drugih mest in ne iz šobe za paro.

Deformacija ali mehčanje plastike.

Po izpraznitvi aparata ali izpustu pare še vedno ni mogoče odpreti varnostnega pokrovčka (1).

Rešitev: Obrnite se na centralni servis.

Tehnični podatki:

Napetost: 220-240V~ 50/60 Hz

Zmogljivost: 400 ml

Moč: 1200 W

Največja moč: 2000W



Zaradi varovanja okolja. Kartonsko embalažo in polietilenske (PE) vrečke odlagajte v ustrezne zabojnike za ločeno zbiranje komunalnih odpadkov v skladiu z njihovim opisom. Če so v napravi baterije, jih je treba odstraniti in ločeno odložiti v zbirnem in skladiščnem centru. Uporabljeno napravo je treba odpeljati v ustrezen zbirni in skladiščni objekt, saj lahko nevarne snovi, ki jih vsebuje, predstavljajo tveganje za zdravje in okolje. Oznaka na izdelku označuje, da naprave ne smete odlagati v zabojnik za komunalne odpadke. Odpadna električna oprema je odpadke, ki vsebuje snovi, ki so škodljive za ljudi, živali in okolje. Te snovi lahko onesnažijo tla, vodo ali zrak, prek tega pa lahko vstopijo v človeško telo in povzročijo številne zdravstvene težave, kot so motnje vida, sluha, govora, poškodujejo lahko tudi ledvice, jetra in srce ter povzročijo kožne bolezni. Škodljive snovi lahko škodljivo vplivajo tudi na dihalni in reproduktivni sistem ter povzročijo rakave spremembe. Uživanje rastlin, ki rastejo na prizadetih tleh, in izdelkov, izdelanih iz njih, lahko povzroči zgoraj navedene učinke na zdravje. **Opreme ne odlagajte v zabojnik za komunalne odpadke!**



Servis Če želite kupiti nadomestne dele ali imate kakršne koli pritožbe, se obrnite na se obrnite neposredno na prodajalca, ki je izdelal potrdilo o nakupu.

Käyttöohje (FI)

TURVALLISUUSOHJEET TÄRKEITÄ TURVALLISUUSOHJEITA KÄYTTÖÄ VARTEN LUE HUOLELLISESTI JA SÄILYÄ MYÖHEMPÄÄ KÄYTTÖÄ VARTEN

Takuuehdot ovat erilaiset, jos laitetta käytetään kaupallisiin tarkoituksiin.

1. Lue seuraavat ohjeet huolellisesti ja noudata niitä aina ennen tuotteen käyttöä. Valmistaja ei ole vastuussa väärinkäytön aiheuttamista vahingoista.
2. Tuotetta saa käyttää vain sisätiloissa. Älä käytä tuotetta käyttötarkoituksiin, jotka eivät ole yhteensopivia sen kanssa.
3. Sovellettava jännite on 230V, ~50Hz. Älä turvallisuussyistä kytke useita laitteita samaan pistorasiaan.
4. Ole varovainen, kun käytät sitä lasten kanssa. Älä anna lasten leikkiä tuotteella. Älä anna lasten tai laitteen tuntemattomien henkilöiden käyttää laitetta ilman valvontaa.
5. VAROITUS: Tätä laitetta saavat käyttää vain yli 8-vuotiaat lapset ja henkilöt, joilla on rajoitetut fyysiset, sensoriset tai henkiset kyvyt, tai henkilöt, joilla ei ole kokemusta tai tietämystä laitteesta, heidän turvallisuudestaan vastaavan henkilön valvonnassa tai jos heidät on opastettu laitteen turvalliseen käyttöön ja he ovat tietoisia laitteen käyttöön liittyvistä vaaroista. Lapset eivät saa leikkiä laitteella. Lapset eivät saa suorittaa laitteen puhdistusta ja huoltoa, elleivät he ole vähintään 8-vuotiaita ja elleivät nämä toimenpiteet tapahdu valvotusti.
6. Kun olet lopettanut tuotteen käytön, muista aina irrottaa pistoke varovasti pistorasiasta pitämällä pistorasiasta kiinni kädelläsi. Älä koskaan

vedä virtajohdosta!!!

7. Älä koskaan jätä tuotetta valvomatta virtalähteeseen kytkettynä. Vaikka käyttö keskeytyisi lyhyeksi ajaksi, kytke se pois päältä verkkovirrasta, irrota virtalähde.

8. Älä koskaan laita virtajohtoa, pistoketta tai koko laitetta veteen. Älä koskaan altista tuotetta sääolosuhteille, kuten suoralle auringonvalolle, sateelle jne. Älä koskaan käytä tuotetta märissä olosuhteissa.

9. Tarkista virtajohdon kunto säännöllisesti. Jos virtajohto on vaurioitunut, vie tuote ammattitaitoiseen huoltoliikkeeseen vaihdettavaksi vaaratilanteiden välttämiseksi.

10. Älä koskaan käytä tuotetta vaurioituneella virtajohdolla tai jos se on pudonnut tai muuten vaurioitunut tai jos se ei toimi kunnolla. Älä yritä korjata viallista tuotetta itse, sillä se voi aiheuttaa sähköiskun. Vie viallinen laite aina korjattavaksi ammattitaitoiseen huoltoliikkeeseen. Kaikki korjaukset saavat suorittaa vain valtuutetut huoltoteknikot. Väärin suoritettut korjaukset voivat aiheuttaa vaaratilanteita käyttäjälle.

11. Älä koskaan aseta tuotetta kuumille tai lämpimille pinnoille tai niiden läheisyyteen tai ruoanlaittolaitteisiin, kuten sähköuuniin tai kaasupolttimeen.

12. Älä koskaan käytä tuotetta palavien materiaalien lähellä.

13. Älä anna johdon roikkua työtason reunasta.

14. Jos laite täytetään liian täyteen, kiehuva vettä voi roiskua ulos.

15. Älä koskaan suuntaa höyrypuhdistinta itseesi, muihin ihmisiin, eläimiin tai sähkölaitteisiin, esim. uuneihin .

16. Laitetta saa käyttää vain alkuperäisten lisävarusteiden kanssa.

17. Älä tuki koneen aukkoja äläkä työnnä mitään esineitä aukkoihin.

18. Älä kallista laitetta yli 45 astetta. Kone on suunniteltu toimimaan pystyasennossa.

19. Irrota kone pistorasiasta ennen kuin kaadat siihen vettä.

20. Älä lisää laitteessa käytettävään veteen mitään aineita: kalkinpoistoaineita, aromaattisia öljyjä, puhdistusaineita.

21. Varmista, että vesisäiliön kansi on tiukasti kiinni laitteessa.



VAROITUS: KUUMA HÖYRY Kuumennusvaara

Laitteen kuvaus:

1. Turvahana
2. Täyttöaukko
3. Lukituskorkki
4. Höyryn ulostuloaukko
5. Merkkivalo
6. Lapsilukko
7. Höyryn vapautus
8. Virtapistoke

Lisävarusteet: A. Suppilo × 1 B. Mittakuppi × 1 C. Pyyhesarja × 1 D. Litteä harja × 1 E. Suuri suutin × 1 F. Jatkoletku × 1 G. Nylonharja × 1 H. Ruostumattomasta teräksestä valmistettu harja × 1 I. Lattiaharja × 1 J. Lattiaharjan liitin x1 K. Jatkoputki × 3 L. Lattiaharjan pyyhe x1

HUOMAUTUS: - Tarkista ensin näkymättömällä alueella, soveltuuko puhdistettava materiaali höyrypuhdistukseen, esim:

Höyry voi aiheuttaa lakatun puun tai nahan haalistumista.

Suojaamaton puu voi turvota.

Höyry voi poistaa suojaavan vahakerroksen.

Muovit voivat värjäytyä höyrylle altistuessaan.

Pehmeät muovit voivat deformoitua höyryn vaikutuksesta.

Kylmät lasi- tai peilipinnat voivat halkeilla, kun ne altistuvat kuumalle höyrylle.

- Älä koskaan täytä höyrypuhdistimeen muita nesteitä kuin vettä.

- Älä missään tapauksessa laita höyrypuhdistinta tai yksittäisiä osia astianpesukoneeseen. Ne vahingoittuisivat.

- Lopeta höyrypuhdistimen käyttö, jos sen muoviosissa on halkeamia, vaurioita tai ne ovat epämuodostuneet. Vaihda vaurioituneet osat vain sopiviin alkuperäisiin varaosiin.

- Älä käytä höyrypuhdistinta tyhjällä säiliöllä. Kun vesisäiliö on tyhjä, vedä verkkopistoke irti ylikuumenemisen välttämiseksi.

- Kun haluat puhdistaa ikkunoita, lämmitä ne ensin lämmittämällä ne esim. levittämällä höyryä suuremmalle alueelle ensin kauempaa ja sitten lähempää.

- Käytä käsineitä, suojalaseja ja hengityssuojaimia, kun yrität poistaa haitallisia aineita.

Ennen ensimmäistä käyttöä:

Poista kaikki pakkausmateriaalit ja tarrat laitteesta. Puhdista laite puhtaalla ja kostealla liinalla. Avaa laite kääntämällä turvamutteria (1) vasemmalle. Täytä laite vedellä ja kaada vesi ulos. Tämä poistaa mahdolliset jäämät ja tehdasmaisen lian laitteen sisältä. Jatka sitten normaalia käyttöä.

Käyttö:

1. Aseta höyrypuhdistin kuivalle ja tasaiselle alustalle ja avaa turvatulppa (1). Paina tätä varten tulppa tukevasti alas ja käännä sitä vastapäivään.

2. Täytä laite vedellä mittakupin (B) ja suppilon (A) avulla. Maksimikapasiteetti on 400 ml. Suosittelemme täyttämistä 350 ml:aan paremman suorituskyvyn ja suuremman höyryntuotannon vuoksi. Jos säiliössä on enemmän kuin 350 ml, höyry saattaa sisältää hieman vettä ensimmäisten 2 minuutin ajan.

Erityisiä huomautuksia:

Käytä puhdasta vettä (pienet kiinteät hiukkaset voivat tukkia putken tai aiheuttaa koneen toimintahäiriön)

Jos alueesi vesijohtovesi on kovaa tai erittäin kovaa, suosittelemme käyttämään vesijohtoveden ja tislattua veden sekoitusta.

Älä kaada alle 150 ml vettä.

3. Sulje korkki kääntämällä sitä myötäpäivään.

4. Aseta verkkopistoke pistorasiaan. Punainen merkkivalo syttyy lämmityksen merkiksi.

5. Kun vihreä valo syttyy, laite on käyttövalmis. Huomaa, että punainen valo syttyy ja sammuu käytön aikana. Käytä laitetta vain, kun vihreä valo palaa. Muussa tapauksessa laitteesta tippuu ja roiskuu kuumaa vettä.

6. Käännä lapsilukko (6) päälle-asentoon. Paina sitten höyryliipaisinta (7). Laitteesta alkaa tulla höyryä. Muista aina painaa höyryliipaisinta (7), kun vapautat höyryliipaisimen (7), lapsilukko (6) palaa off-asentoon.

Kun olet lopettanut työskentelyn tai kun vesisäiliö on tyhjenetty:

Käytön jälkeen:

1. Irrota laite verkkovirrasta.

2. Paina höyrylaukaisinta (7) ja pidä sitä painettuna, kunnes höyryn tuottaminen lakkaa.

3. Anna laitteen jäähtyä noin 12-20 minuuttia riippuen siitä, kuinka paljon höyryä on jäljellä.

4. Kierrä turvakorkki (1) hitaasti irti ja odota muutama minuutti, kunnes kosteus poistuu laitteesta.

Jos säiliössä ei ole enää vettä, laite lakkaa tuottamasta höyryä. Vettä on täydennettävä. Noudata tätä varten seuraavia ohjeita:

Täytä säiliö uudelleen:

1. Irrota laite verkkovirrasta.

2. Paina höyryliipaisinta (7) ja pidä sitä painettuna, kunnes höyryn tuottaminen lakkaa.

3. Anna laitteen jäähtyä noin 12-20 minuuttia riippuen siitä, kuinka paljon höyryä on jäljellä.

4. Kierrä hitaasti irti suojakorkki (1) ja odota muutama sekunti, jotta jäljellä oleva höyry pääsee poistumaan.

5. Täytä säiliö hitaasti vedellä tai vesijohtoveden ja tislattun veden seoksella. Varmista, ettei kaada yli 400 ml. (suositellaan 350 ml)

6. Sulje turvakorkki uudelleen (1).

HUOM:

Höyrypuhdistimessa on ylikuumenemissuojajärjestelmä. Se kytkeytyy automaattisesti pois päältä, jos se ylikuumenee. Huomaa, että laite voi hajota, jos sitä käytetään liian monta kertaa tyhjän säiliön kanssa. Varmista, että säiliössä on aina riittävästi vettä käytön aikana.

Lisävarusteiden kuvaus ja käyttö:

D. Litteä harja

Työnnä suuri suutin litteän harjan loviin (3C) ja käännä sitä myötäpäivään, kunnes kuulet naksahduksen (3C). Voidaan puhdistaa tasaiset pinnat, kuten ikkunat jne. Poista litteä harja käytön jälkeen kääntämällä sitä vastapäivään.

Kun haluat puhdistaa pöytiä ja tuoleja, kirjahyllyjä tai silittää vaatteita, aseta valkoinen pyyhe litteän harjan päälle (3C).

E. Suuri suutin

Suuri suutin on kätevä kulmien puhdistuksessa.

Kiinnitäaksesi kiinnitä suuttimen leveämpi pää höyryn ulostuloaukkoon niin, että turvaklipsi napsahtaa paikalleen. (3B)

F. Jatkoletku

Jos puhdistettavaan pintaan on vaikea päästä käsiksi, käytä jatkoletkua.

Kiinnitä letkun leveämpi pää höyryn ulostuloaukkoon siten, että turvaklipsi napsahtaa paikalleen.

G, H. Nylon- ja ruostumattomasta teräksestä valmistettu harja

Työnnä suuri suutin (E) pyöreän harjan (3D) loveen ja käännä sitä myötäpäivään, kunnes kuulet naksahduksen (3D). Poista pyöreä harja käytön jälkeen kääntämällä sitä vastapäivään.

K. Jatkoputki x 3

Jos puhdistusalueelle on vaikea päästä tai laitetta käytetään lattioiden tai lasin puhdistamiseen korkeissa paikoissa, sitä voidaan käyttää jatkoputken kanssa. Se toimii seuraavasti: liitä jatkoputken pää höyryn ulostuloaukkoon, kunnes paikallaan oleva lukko on täysin kiinni jatkoputken aukossa (kuten suuren suuttimen 3B kohdalla) ja lukittunut paikalleen naksahdus, mikä merkitsee, että kokoonpano on valmis. Huomaa, että jatkoputken käyttö alentaa höyryn lämpötilaa. Putken lämpötilasta riippuen suuttimesta tuleva höyry voi vaihdella.

I. Lattiaharja

Käytä lattiaharjaa lattian puhdistamiseen.

Liitä kaksi tai kolme jatkoputkea (K) laitteeseen yhdessä. Kiinnitä jatkoputkien toinen pää lattiaharjaan. Paina harjan sivuilla olevia painikkeita avataksesi kiinnityskiristimet, työnnä lattiarätti (L) avoimma oleiviin kiristimiin. Poista pyyhe käytön jälkeen ja kuivaa/pese ennen seuraavaa käyttöä.

Puhdistaminen:

1. Vedä verkkopistoke pistorasiasta ennen puhdistusta.

2. Anna höyrypuhdistimen jäähtyä ennen varastointia.

3. Pyyhi höyrypuhdistin ja lisävarusteet kostealla liinalla. Anna kaikkien osien kuivua kokonaan.

Varastointi: Varastoi höyrypuhdistin ja höyrypesukone:

Kaikkien osien on oltava täysin kuivia ennen varastointia.

- Säilytä höyrypuhdistin aina kuivassa, puhtaassa ja pölyttömässä paikassa.

- Säilytä höyrypuhdistinta lukituksen alla, sijoita se niin, että lapset eivät pääse käsiksi laitteeseen.

Vianmääritys

Ongelma:

Suuttimesta ei tule höyryä

Syy: Pistoketta ei ole asetettu pistorasiaan

Ratkaisu: Kytke laite pistorasiaan

Syy: Säiliössä ei ole vettä.

Ratkaisu: Kaada vettä säiliöön.

Syy: Höyrypainiketta ei ole painettu.

Ratkaisu: Vapauta lapsilukko ja paina höyrypainiketta.

Ongelma:

Vain vihreä valo palaa. Punainen valo ei syty.

Syy: Valo on palanut.

Ratkaisu: Ota yhteys keskushuoltoon.

Ongelma:

Punainen valo palaa aina, vihreä valo ei pala.

Syy: Rikkiinäiset sisäiset sähköosat tai rikkinäinen termostaatti.

Ratkaisu: Ota yhteys keskushuoltoon.

Ongelma:

Punainen valo välkky.

Syy: Veden puute tai huono verkkoyhteys.

Ratkaisu: Tarkista, että laite on kytketty oikein ja että se on kytketty kokonaan verkkovirtaan. Lisää vettä. Jos välkkyminen jatkuu edelleen, ota yhteys keskushuoltoon.

Ongelma:

Suuttimesta tulee vettä.

Syy: Ei ole käytetty pitkään aikaan ja suuttimesta/lisävarusteissa oleva höyry tiivistyy.

Ratkaisu: Normaali ilmiö. Paina höyryn vapautuspainiketta 2 sekunnin ajan.

Jos laite sylkee edelleen vettä suuttimesta ulos liikaa vettä laitteessa.

Jos suuttimesta tulee hiilihapotonta vettä pitkäaikaisen käytön jälkeen, ota yhteys keskushuoltoon.

Muut ongelmat:

Laitteesta tulee höyryä muualta kuin höyrusuuttimesta.

Muovin muodonmuutos tai muovin pehmeneminen.

Laitteen tyhjentämisen tai höyryn päästämisen jälkeen suojakorkkia (1) ei vieläkään voi avata.

Ratkaisu: Ota yhteys keskushuoltoon.

Tekniset tiedot:

Jännite: jännite: 220-240V~ 50/60 Hz

Kapasiteetti: 400 ml

Teho: 1200W

Maksimiteho: 2000W



Ympäristön suojelemiseksi. Pahvipakkaukset ja polyeteenipussit (PE) on hävitettävä asianmukaisiin astioihin yhdyskuntajätteen erilliskeräystä varten niiden kuvauksen mukaisesti. Jos laitteessa on paristoja, ne on poistettava ja hävitettävä erikseen keräys- ja varastointilaitoksessa. Käytetty laite on vietävä sopivaan keräys- ja varastointilaitokseen, sillä sen sisältämät vaaralliset aineet voivat aiheuttaa riskin terveydelle ja ympäristölle. Tuotteessa oleva merkintä osoittaa, että laitetta ei saa hävittää yhdyskuntajäteastian. Sähkölaiteromu on jätettä, joka sisältää ihmisille, eläimille ja ympäristölle haitallisia aineita. Nämä aineet voivat saastuttaa maaperää, vettä tai ilmaa, ja tätä kautta ne voivat joutua ihmiskehoon ja aiheuttaa useita terveysongelmia, kuten näkö-, kuulo- ja puhehäiriöitä, voivat myös vahingoittaa munuaisia, maksaa ja sydäntä sekä aiheuttaa ihosairauksia. Haitallisilla aineilla voi olla myös haitallisia vaikutuksia hengitys- ja lisääntymisjärjestelmiin ja ne voivat johtaa syöpämuutoksiin. Vaurioituneella maaperällä kasvavien kasvien ja niistä valmistettujen tuotteiden nauttiminen voi aiheuttaa edellä mainittuja terveysvaikutuksia. **Älä hävitä laitetta yhdyskuntajäteastian!**

Huolto Jos haluat hankkia varaosia tai sinulla on valituksia, ota yhteyttä osoitteeseen ota yhteyttä suoraan kutiin antaneeseen jälleenmyyjään.

Instrukcja obsługi (PL)

WARUNKI BEZPIECZEŃSTWA
WAŻNE INSTRUKCJE BEZPIECZEŃSTWA UŻYTKOWANIA
PROSZĘ UWAŻNIE PRZECZYTAĆ I ZACHOWAĆ DO
WYKORZYSTANIA W PRZYSZŁOŚCI

Warunki gwarancji są inne, jeśli urządzenie jest wykorzystywane do celów komercyjnych.

1. Przed użyciem produktu przeczytaj uważnie i zawsze stosuj się do poniższych instrukcji. Producent nie ponosi odpowiedzialności za jakiegokolwiek uszkodzenia powstałe w wyniku niewłaściwego użytkowania.
2. Produkt może być używany wyłącznie w pomieszczeniach. Nie używaj produktu do celów niezgodnych z jego zastosowaniem.
3. Obowiązujące napięcie to 230V, ~50Hz. Ze względów bezpieczeństwa nie należy podłączać wielu urządzeń do jednego gniazdka elektrycznego.
4. Zachowaj ostrożność podczas korzystania z dzieci. Nie pozwalaj dzieciom bawić się produktem. Nie pozwalaj dzieciom lub osobom, które nie znają urządzenia, używać go bez nadzoru.
5. **OSTRZEŻENIE:** To urządzenie może być używane przez dzieci powyżej 8 roku życia oraz osoby o ograniczonych zdolnościach fizycznych, sensorycznych lub umysłowych lub osoby bez doświadczenia lub wiedzy o urządzeniu, wyłącznie pod nadzorem osoby odpowiedzialnej za ich bezpieczeństwo lub jeśli zostali pouczeni o bezpiecznym użytkowaniu urządzenia i są świadomi zagrożeń związanych z jego obsługą. Dzieci nie powinny bawić się urządzeniem. Czyszczenie i konserwacja urządzenia nie powinny być wykonywane przez dzieci, chyba że ukończyły 8 rok życia i czynności te są wykonywane pod nadzorem.
6. Po zakończeniu korzystania z produktu zawsze pamiętaj, aby delikatnie wyjąć wtyczkę z gniazdka trzymając gniazdko ręką. Nigdy nie ciągnij za kabel zasilający!!!
7. Nigdy nie pozostawiaj produktu podłączonego do źródła zasilania bez nadzoru. Nawet jeśli korzystanie zostanie przerwane na krótki czas, wyłącz go z sieci, odłącz zasilanie.
8. Nigdy nie wkładaj kabla zasilającego, wtyczki ani całego urządzenia do

wody. Nigdy nie wystawiaj produktu na działanie warunków atmosferycznych, takich jak bezpośrednio światło słoneczne, deszcz itp. Nigdy nie używaj produktu w wilgotnych warunkach.

9. Okresowo sprawdzaj stan kabla zasilającego. Jeśli kabel zasilający jest uszkodzony, produkt należy przekazać do profesjonalnego punktu serwisowego w celu wymiany, aby uniknąć niebezpiecznych sytuacji.

10. Nigdy nie używaj produktu z uszkodzonym przewodem zasilającym lub jeśli został upuszczony lub uszkodzony w inny sposób lub jeśli nie działa prawidłowo. Nie próbuj samodzielnie naprawiać wadliwego produktu, ponieważ może to doprowadzić do porażenia prądem. Uszkodzone urządzenie należy zawsze oddać do profesjonalnego punktu serwisowego w celu naprawy. Wszelkie naprawy mogą być wykonywane wyłącznie przez autoryzowanych serwisantów. Nieprawidłowo wykonana naprawa może spowodować niebezpieczne sytuacje dla użytkownika.

11. Nigdy nie umieszczaj produktu na lub w pobliżu gorących lub ciepłych powierzchni lub urządzeń kuchennych, takich jak piekarnik elektryczny lub palnik gazowy.

12. Nigdy nie używaj produktu w pobliżu materiałów palnych.

13. Nie pozwól, aby przewód zwisał z krawędzi blatu.

14. Jeśli urządzenie jest przepełnione, może wytrysnąć wrząca woda.

15. Nigdy nie kieruj myjki parowej na siebie, inne osoby, zwierzęta lub urządzenia elektryczne np.: piekarniki .

16. Możesz używać urządzenia tylko z oryginalnymi akcesoriami.

17. Nie blokuj otworów w maszynie ani nie wkładaj żadnych przedmiotów do otworów.

18. Nie przechylaj urządzenia o więcej niż 45 stopni. Urządzenie zostało zaprojektowane do pracy w pozycji wyprostowanej.

19. Przed waniem wody do urządzenia odłącz je od zasilania.

20. Do wody używanej w urządzeniu nie należy dodawać żadnych substancji: odkamieniaczy, olejków aromatycznych, środków czyszczących.

21. Upewnij się, że pokrywa zbiornika na wodę jest mocno przykręcona do

urządzenia.



OSTRZEŻENIE: GORAÇA PARA Niebezpieczeństwo poparzenia

Opis urządzenia:

1. Kurek zabezpieczający
2. Otwór do napełniania
3. Blokada nasadki
4. Wylot pary
5. Kontrolka
6. Blokada dziecięca
7. Spust pary
8. Wtyczka zasilania

Akcesoria: A. Lejek × 1 B. Miarka × 1 C. Zestaw ręczników × 1 D. Płaska szczotka × 1 E. Duża dysza × 1 F. Wąż przedłużający × 1 G. Szczotka nylonowa × 1 H. Szczotka nierdzewna × 1 I. Szczotka podłogowa × 1 J. Łącznik szczotki podłogowej X1 K. Rurka przedłużająca × 3 L. Ręcznik do szczotki podłogowej x1

UWAGA: – Najpierw sprawdź w niewidocznym miejscu, czy materiał, który zamierzasz wyczyścić, nadaje się do czyszczenia parą, np.:

Para może spowodować blaknięcie lakierowanego drewna lub skóry.

Niezabezpieczone drewno może pęcznieć.

Para może usunąć ochronne warstwy wosku.

Tworzywa sztuczne mogą zabarwić się pod wpływem pary.

Miękkie tworzywa sztuczne mogą się odkształcić pod wpływem pary.

Zimne powierzchnie szklane lub lustrzane mogą pęknąć pod wpływem gorącej pary.

- Nigdy nie napełniać myjki parowej płynami innymi niż woda.
- W żadnym wypadku nie wkładać myjki parowej ani poszczególnych części do zmywarki. Zostałyby zniszczone.
- Przestań używać myjki parowej, jeśli jej plastikowe części wykazują pęknięcia, uszczerbienia lub są zdeformowane. Uszkodzone części należy wymieniać wyłącznie na odpowiednie oryginalne części zamienne.
- Nie używać myjki parowej z pustym zbiornikiem. Po wyczerpaniu zbiornika na wodę wyciągnąć wtyczkę sieciową, aby uniknąć przegrzania.
- Chcąc wyczyścić okna, należy je najpierw ogrzać, np. poprzez działanie pary na większą powierzchnię z większej odległości, a następnie z bliższej odległości.
- Przy próbach usuwania substancji szkodliwych dla zdrowia nosić rękawice, okulary ochronne i ochronę dróg oddechowych.

Przed pierwszym użyciem:

Usuń wszystkie materiały opakowaniowe i naklejki z urządzenia. Wyczyść urządzenie czystą i wilgotną szmatką. Otwórz urządzenie, przekręcając nakrętkę zabezpieczającą (1) w lewo. Napełnij wodą i wylej wodę. Spowoduje to usunięcie wszelkich pozostałości i brudu fabrycznego z wnętrza urządzenia. Następnie kontynuuj normalne działanie.

Używanie:

1. Połóż myjkę parową na suchej i płaskiej powierzchni i otwórz zatyczkę zabezpieczającą (1). W tym celu mocno dociśnij nakrętkę w dół i przekręć ją w kierunku przeciwnym do ruchu wskazówek zegara.
2. Użyj miarki (B) i lejka (A), aby napełnić urządzenie wodą. Maksymalna pojemność to 400 ml. Sugerujemy napełnienie do 350 ml, aby uzyskać lepszą wydajność i większą produkcję pary. Jeśli w zbiorniku jest więcej niż 350 ml, para może zawierać trochę wody przez pierwsze 2 minuty użytkowania.

Uwagi specjalne:

Proszę używać czystej wody (małe cząstki stałe mogą zablokować rurę lub spowodować awarię maszyny)

Jeśli woda z kranu w Twojej okolicy jest twarda lub bardzo twarda, sugerujemy użycie mieszanki wody z kranu i wody destylowanej.

Proszę nie nalewać mniej niż 150 ml wody.

3. Zamknij nakrętkę obracając ją w kierunku ruchu wskazówek zegara.

4. Włóż wtyczkę sieciową do gniazda elektrycznego. Zaświeci się czerwone światło wskazujące nagrzewanie.

5. Gdy zaświeci się zielone światło, urządzenie jest gotowe do pracy. Należy pamiętać, że czerwone światło będzie się włączać i wyłączać podczas pracy. Proszę używać tylko wtedy, gdy zaświeci się zielone światło. W przeciwnym razie z urządzenia będzie

kapać i pryskać gorącą wodą.

6. Obróć blokadę dziecięcą (6) do pozycji włączonej. Następnie naciśnij spust pary (7). Para zacznie wydobywać się z urządzenia. Pamiętaj, aby zawsze naciskać spust pary (7), po zwolnieniu spustu pary (7) blokada przed dziećmi (6) powróci do pozycji wyłączanej.

Po zakończeniu pracy lub po opróżnieniu zbiornika na wodę:

Po zakończeniu pracy:

1. Odłącz urządzenie od zasilania sieciowego.
2. Naciśnij spust pary (7) i trzymaj wciśnięty, aż para przestanie się wytwarzać.
3. Poczekaj, aż urządzenie ostygnie przez około 12-20 minut, w zależności od ilości pary pozostałej w środku.
4. Powoli odkręć nakrętkę zabezpieczającą (1) i odczekaj kilka minut, aż wilgoć ucieknie z urządzenia.

Jeśli w zbiorniku nie będzie już wody, urządzenie przestanie wytwarzać parę. Woda musi zostać uzupełniona. Aby to zrobić, wykonaj poniższe czynności:

Ponowne napełnianie zbiornika:

1. Odłącz urządzenie od zasilania sieciowego.
2. Naciśnij spust pary (7) i trzymaj wciśnięty, aż para przestanie się wytwarzać.
3. Poczekaj, aż urządzenie ostygnie przez około 12-20 minut, w zależności od ilości pary pozostałej w środku.
4. Powoli odkręć nakrętkę zabezpieczającą (1) i poczekaj kilka sekund, aż wydostanie się pozostała para.
5. Powoli napełniaj zbiornik wodą lub mieszaną wodą z kranu i wody destylowanej. Upewnij się, że nie wlewasz więcej niż 400 ml. (zalecane 350 ml)
6. Ponownie zamknij nakrętkę zabezpieczającą (1).

UWAGA:

Czyszczak parowy posiada system ochrony przed przegrzaniem. Wylączy się automatycznie, jeśli się przegrzeje. Należy pamiętać, że urządzenie może się zepsuć, jeśli będzie używane zbyt wiele razy z pustym zbiornikiem. Upewnij się, że podczas pracy w zbiorniku jest przez cały czas wystarczająca ilość wody.

Opis i zastosowanie akcesoriów:

D. Płaska szczotka

Włóż dużą dyszę do wycięcia płaskiej szczotki (3C) i obróć ją zgodnie z ruchem wskazówek zegara, aż usłyszysz kliknięcie (3C). Może czyścić płaskie powierzchnie, takie jak okna itp. Po użyciu wyjmij płaską szczotkę, obracając ją w kierunku przeciwnym do ruchu wskazówek zegara.

Do czyszczenia biurek i krzeseł, regałów lub prasowania ubrań, nałóż biały ręcznik na płaskiej szczotce (3C).

E. Duża dysza

Duża dysza przydaje się podczas sprzątania narożników.

Aby zamocować, podłącz szerszy koniec dyszy do wylotu pary w taki sposób, aby klips zabezpieczający zatrzasknął się na swoim miejscu. (3B)

F. Wąż przedłużający

Jeśli powierzchnia, którą próbujesz wyczyścić, jest trudno dostępna, użyj węża przedłużającego.

Aby przymocować szerszy koniec węża do wylotu pary podłącz w taki sposób, aby klips bezpieczeństwa zatrzasknął się na swoim miejscu.

G, H. Szczotka nylonowa i nierdzewna

Włóż dużą dyszę (E) do wycięcia okrągłej szczotki (3D) i obróć ją zgodnie z ruchem wskazówek zegara, aż usłyszysz kliknięcie (3D). Po użyciu wyjmij okrągłą szczotkę, obracając ją w kierunku przeciwnym do ruchu wskazówek zegara.

K. Rura przedłużająca x 3

Jeśli obszar czyszczenia jest trudno dostępny lub urządzenie jest używane do czyszczenia podłóg lub szkła w wysokich miejscach, można użyć je z rurką przedłużającą. Sposób działania jest następujący: podłącz końcówkę przedłużki do wylotu pary, aż nieruchomy zamek zostanie całkowicie wpięty w otwór przedłużki (jak w przypadku dużej dyszy 3B) i zablokowany na miejscu z odgłosem kliknięcia oznacza montaż jest kompletny. Należy pamiętać, że użycie rury przedłużającej obniży temperaturę pary. W zależności od temperatury rurki para wydobywająca się z dyszy może się różnić.

L. Szczotka podłogowa

Do czyszczenia podłogi używaj szczotki podłogowej.

Połącz ze sobą dwa lub trzy przedłużacze (K) do urządzenia. Drugi koniec rurek przedłużających należy przymocować do szczotki podłogowej. Po bokach szczotki naciśnij przyciski, aby otworzyć zaciski mocujące, włóż ręcznik podłogowy (L) w otwarte zaciski. Po użyciu zdjąć ręcznik i wysuszyć/umyć przed kolejnym użyciem.

Czyszczenie:

1. Przed czyszczeniem wyciągnąć wtyczkę sieciową z gniazdka.
2. Odczekaj, aż myjka parowy ostygnie przed przechowywaniem.
3. Wytrzyj myjkę parową i akcesoria wilgotną szmatką. Niech wszystkie części całkowicie wyschną.

Przechowywanie:

Wszystkie części muszą być całkowicie suche przed przechowywaniem.

- Zawsze przechowuj myjkę parową w suchym, czystym i wolnym od kurzu miejscu.

- Przechowuj myjkę parową pod zamknięciem, umieść ją tak, aby urządzenie było niedostępne dla dzieci.

Rozwiązywanie problemów

Problem:

Z dyszy nie wydobywa się para

Przyczyna: Wtyczka nie jest włożona do gniazdka sieciowego

Rozwiązanie: Podłącz urządzenie do gniazdka

Przyczyna: Brak wody w zbiorniku.

Rozwiązanie: Wlej wodę do zbiornika.

Przyczyna: Przycisk pary jest nie wciśnięty.

Rozwiązanie: Zwolnij blokadę dostępu dzieci i naciśnij przycisk pary.

Problem:

Świeci się tylko zielone światło. Czerwone światło nie włącza się.

Przyczyna: Światło przepalone.

Rozwiązanie: Skonsultuj się z serwisem centralnym.

Problem:

Czerwone światło zawsze się świeci, zielone światło się nie włącza.

Przyczyna: Zepsute wewnętrzne części elektryczne lub zepsuty termostat.

Rozwiązanie: Skonsultuj się z serwisem centralnym.

Problem:

Migoczące czerwone światło.

Przyczyna: Brak wody lub słabe połączenie z siecią.

Rozwiązanie: Sprawdź, czy urządzenie jest prawidłowo podłączone i w pełni podłączone do zasilania sieciowego. Dodaj wodę.

Jeśli migotanie nadal występuje, skontaktuj się z serwisem centralnym.

Problem:

Woda wypływająca z dyszy.

Przyczyna: Nieużywany przez dłuższy czas i para w dyszy/akcesoriach kondensuje.

Rozwiązanie: Zjawisko normalne. Naciśnij przycisk uwalniania pary na 2 sekundy.

Jeśli urządzenie nadal wypływa wodę z dyszy za dużo wody w urządzeniu.

Jeżeli po dłuższym użytkowaniu z dyszy wypływa niegazowana woda należy skontaktować się z serwisem centralnym.

Inne problemy:

Para wydobywająca się z urządzenia z innych miejsc niż dysza pary.

Odształcenie plastyczne lub zmiękczenie plastiku.

Po opróżnieniu urządzenia lub uwolnieniu pary nadal nie można otworzyć nasadki zabezpieczającej (1).

Rozwiązanie: Skontaktuj się z serwisem centralnym.

Dane techniczne:

Napięcie: 220-240V~ 50/60 Hz

Pojemność: 400 ml

Moc: 1200W

Moc maksymalna: 2000 W



W trosce o środowisko. Opakowania kartonowe oraz worki polietylenowe (PE) należy wrzucać do odpowiednich pojemników przeznaczonych do selektywnej zbiórki odpadów komunalnych zgodnie z ich opisem. Jeżeli w urządzeniu znajdują się baterie, należy je wyjąć i osobno oddać do punktu zbierania i składowania. Zużyte urządzenie należy oddać do odpowiedniego punktu zbierania i składowania, gdyż znajdujące się w nim niebezpieczne substancje mogą stanowić zagrożenie dla zdrowia i środowiska. Oznaczenie umieszczone na produkcie wskazuje, że urządzenia nie należy wyrzucać do pojemnika z odpadami komunalnymi. Zużyty sprzęt elektryczny, to odpady, które zawierają substancje szkodliwe dla ludzi, zwierząt i środowiska. Substancje te mogą doprowadzić do zanieczyszczenia gleby, wody lub powietrza, a poprzez to mogą się dostać do organizmu człowieka i doprowadzić do licznych dolegliwości zdrowotnych, takich jak: zaburzenia wzroku, słuchu, mowy, mogą również doprowadzić do uszkodzenia nerek, wątroby i serca, oraz wywołać choroby skóry. Substancje szkodliwe mogą mieć również niekorzystny wpływ na układ oddechowy i rozrodczy oraz doprowadzić do zmian nowotworowych. Spożycie roślin rosnących na skrajonych glebach, oraz produktów powstałych z nich może grozić w/w skutkami zdrowotnymi. **Urządzenia nie wyrzucać do pojemnika na odpady komunalne!!**

Serwis W przypadku chęci zakupu części zamiennych lub zgłoszenia ewentualnych reklamacji należy kontaktować się bezpośrednio ze sprzedawcą, który wystawił paragon.

Manuale d'uso (IT)

CONDIZIONI DI SICUREZZA IMPORTANTI ISTRUZIONI DI SICUREZZA PER L'USO LEGGERE ATTENTAMENTE E CONSERVARE PER RIFERIMENTO FUTURO

Le condizioni di garanzia sono diverse se il dispositivo viene utilizzato per scopi commerciali.

1. Leggere attentamente le seguenti istruzioni e seguirle sempre prima di utilizzare il prodotto. Il produttore non è responsabile di eventuali danni causati da un uso improprio.
2. Il prodotto può essere utilizzato solo in ambienti chiusi. Non utilizzare il prodotto per scopi incompatibili con il suo utilizzo.
3. La tensione applicabile è 230V, ~50Hz. Per motivi di sicurezza, non collegare più dispositivi a una presa elettrica.
4. Prestare attenzione quando si utilizza con i bambini. Non permettere ai bambini di giocare con il prodotto. Non permettere ai bambini o a chiunque non abbia familiarità con l'apparecchio di utilizzarlo senza supervisione.
5. **AVVERTENZA:** Questo apparecchio può essere utilizzato solo da bambini di età superiore agli 8 anni e da persone con capacità fisiche, sensoriali o mentali limitate, o da persone prive di esperienza o conoscenza dell'apparecchio, sotto la supervisione di una persona responsabile della loro sicurezza o se sono state istruite sull'uso sicuro dell'apparecchio e sono consapevoli dei rischi associati al suo funzionamento. I bambini non devono giocare con l'apparecchio. La pulizia

e la manutenzione dell'apparecchio non devono essere eseguite dai bambini, a meno che non abbiano almeno 8 anni e che queste operazioni siano eseguite sotto la loro supervisione.

6. Una volta terminato l'utilizzo del prodotto, ricordarsi sempre di estrarre delicatamente la spina dalla presa di corrente tenendola con la mano. Non tirare mai il cavo di alimentazione!!!

7. Non lasciare mai incustodito il prodotto collegato a una fonte di alimentazione. Anche se l'uso viene interrotto per un breve periodo, spegnere il prodotto dalla rete elettrica, scollegare l'alimentazione.

8. Non mettere mai in acqua il cavo di alimentazione, la spina o l'intero apparecchio. Non esporre mai il prodotto a condizioni atmosferiche quali luce solare diretta, pioggia, ecc. Non utilizzare mai il prodotto in condizioni di umidità.

9. Controllare periodicamente le condizioni del cavo di alimentazione. Se il cavo di alimentazione è danneggiato, portare il prodotto presso un centro di assistenza professionale per la sostituzione, onde evitare situazioni pericolose.

10. Non utilizzare mai il prodotto con un cavo di alimentazione danneggiato o se è caduto o è stato danneggiato in altro modo, o se non funziona correttamente. Non tentare di riparare da soli un prodotto difettoso, poiché ciò potrebbe causare una scossa elettrica. Portare sempre l'unità difettosa presso un centro di assistenza professionale per la riparazione. Le riparazioni devono essere eseguite esclusivamente da tecnici autorizzati. Le riparazioni non eseguite correttamente possono causare situazioni pericolose per l'utente.

11. Non collocare mai il prodotto su o vicino a superfici calde o tiepide o ad apparecchi di cottura come forni elettrici o bruciatori a gas.

12. Non utilizzare mai il prodotto in prossimità di materiali combustibili.

13. Non lasciare che il cavo penda dal bordo del piano di lavoro.

14. Se l'apparecchio viene riempito troppo, l'acqua bollente può fuoriuscire.

15. Non puntare mai il pulitore a vapore verso se stessi, altre persone, animali o apparecchi elettrici, ad esempio: forni.

16. L'apparecchio può essere utilizzato solo con gli accessori originali.
17. Non ostruire le aperture dell'apparecchio e non inserire oggetti nelle aperture.
18. Non inclinare l'apparecchio oltre i 45 gradi. L'apparecchio è stato progettato per funzionare in posizione verticale.
19. Scollegare la macchina prima di versare l'acqua.
20. Non aggiungere sostanze all'acqua utilizzata nell'apparecchio: disincrostanti, oli aromatici, detersivi.
21. Assicurarsi che il coperchio del serbatoio dell'acqua sia ben avvitato all'apparecchio.



ATTENZIONE: VAPORE CALDO Pericolo di scottature

Descrizione dell'apparecchio:

1. Rubinetto di sicurezza
2. Apertura di riempimento
3. Tappo di chiusura
4. Uscita del vapore
5. Indicatore luminoso
6. Blocco bambini
7. Rilascio del vapore
8. Spina di alimentazione

Accessori: A. Imbuto × 1 B. Misurino × 1 C. Set di asciugamani × 1 D. Spazzola piatta × 1 E. Ugello grande × 1 F. Tubo di prolunga × 1 G. Spazzola in nylon × 1 H. Spazzola in acciaio inox × 1 I. Spazzola per pavimenti × 1 J. Connettore per spazzola per pavimenti × 1 K. Tubo di prolunga × 3 L. Asciugamano per spazzola x1

NOTA: - Verificare innanzitutto in un'area non visibile se il materiale che si intende pulire è adatto alla pulizia a vapore, come ad esempio:

Il vapore può causare lo sbiadimento del legno verniciato o della pelle.

Il legno non protetto può gonfiarsi.

Il vapore può rimuovere gli strati protettivi di cera.

La plastica può colorarsi se esposta al vapore.

Le plastiche morbide possono deformarsi sotto l'effetto del vapore.

Il vetro freddo o le superfici a specchio possono incrinarsi se esposti al vapore caldo.

- Non riempire mai il pulitore a vapore con liquidi diversi dall'acqua.

- Non mettere in nessun caso il pulitore a vapore o le singole parti nelle lavastoviglie. Si danneggerebbero.

- Smettere di utilizzare il pulitore a vapore se le sue parti in plastica presentano crepe, danni o sono deformate. Sostituire le parti danneggiate solo con ricambi originali adeguati.

- Non utilizzare il pulitore a vapore con il serbatoio vuoto. Quando il serbatoio dell'acqua è esaurito, staccare la spina per evitare il surriscaldamento.

- Quando si desidera pulire le finestre, riscaldarle prima, ad esempio applicando il vapore su un'area più ampia da una distanza maggiore e poi da una distanza più ravvicinata.

- Indossare guanti, occhiali di sicurezza e protezioni per le vie respiratorie quando si cerca di rimuovere sostanze nocive.

Prima del primo utilizzo:

Rimuovere tutti i materiali di imballaggio e gli adesivi dall'unità. Pulire l'apparecchio con un panno pulito e umido. Aprire l'apparecchio ruotando il dado di sicurezza (1) verso sinistra. Riempire d'acqua e versare l'acqua. In questo modo si rimuovono i residui e lo sporco di fabbrica dall'interno dell'apparecchio. Continuare quindi il normale funzionamento.

Utilizzo:

1. Posizionare il pulitore a vapore su una superficie asciutta e piana e aprire il tappo di sicurezza (1). A tal fine, premere con forza il tappo e ruotarlo in senso antiorario.
2. Utilizzare il misurino (B) e l'imbuto (A) per riempire il dispositivo con acqua. La capacità massima è di 400 ml. Si consiglia di riempire fino a 350 ml per ottenere prestazioni migliori e una maggiore produzione di vapore. Se il serbatoio contiene più di 350 ml, il vapore potrebbe contenere acqua per i primi 2 minuti di utilizzo.

Note speciali:

Utilizzare acqua pulita (piccole particelle solide possono bloccare il tubo o causare il malfunzionamento della macchina)

Se l'acqua del rubinetto nella vostra zona è dura o molto dura, vi consigliamo di utilizzare una miscela di acqua del rubinetto e acqua distillata.

Non versare meno di 150 ml di acqua.

3. Chiudere il tappo ruotandolo in senso orario.
4. Inserire la spina di rete in una presa elettrica. Una luce rossa si accende per indicare il riscaldamento.
5. Quando si accende la luce verde, l'apparecchio è pronto per l'uso. Si noti che la luce rossa si accende e si spegne durante il funzionamento. Utilizzare l'apparecchio solo quando la luce verde è accesa. In caso contrario, l'acqua calda gocciolerà e schizzerà dall'apparecchio.
6. Ruotare il blocco bambini (6) in posizione on. Quindi premere il grilletto del vapore (7). Il vapore inizierà a uscire dall'apparecchio. Ricordarsi di premere sempre il grilletto del vapore (7); quando si rilascia il grilletto del vapore (7), il blocco bambini (6) torna in posizione off.

Al termine del lavoro o quando il serbatoio dell'acqua è stato svuotato:

Dopo il funzionamento:

1. Scollegare l'apparecchio dalla rete di alimentazione.
2. Premere il pulsante del vapore (7) e mantenerlo premuto fino a quando non cessa la produzione di vapore.
3. Lasciare raffreddare l'apparecchio per circa 12-20 minuti, a seconda della quantità di vapore rimasta all'interno.
4. Svitare lentamente il tappo di sicurezza (1) e attendere qualche minuto affinché l'umidità fuoriesca dall'apparecchio.

Se non c'è più acqua nel serbatoio, l'apparecchio smette di produrre vapore. È necessario rabboccare l'acqua. A tal fine, seguire le istruzioni riportate di seguito:

Riempire nuovamente il serbatoio:

1. Scollegare l'apparecchio dalla rete elettrica.
2. Premere il pulsante del vapore (7) e mantenerlo premuto fino a quando non cessa la produzione di vapore.
3. Lasciare raffreddare l'apparecchio per circa 12-20 minuti, a seconda della quantità di vapore rimasta all'interno.
4. Svitare lentamente il tappo di sicurezza (1) e attendere qualche secondo per la fuoriuscita del vapore residuo.
5. Riempire lentamente il serbatoio con acqua o con una miscela di acqua di rubinetto e acqua distillata. Assicurarsi di non versare più di 400 ml. (si consigliano 350 ml)
6. Richiudere il tappo di sicurezza (1).

NOTA:

Il pulitore a vapore è dotato di un sistema di protezione contro il surriscaldamento. Si spegne automaticamente in caso di surriscaldamento. Tenere presente che l'apparecchio potrebbe rompersi se utilizzato troppe volte con il serbatoio vuoto. Assicurarsi che il serbatoio sia sempre pieno d'acqua durante il funzionamento.

Descrizione e utilizzo degli accessori:

D. Spazzola piatta

Inserire l'ugello grande nell'intaglio della spazzola piatta (3C) e ruotarlo in senso orario fino a sentire uno scatto (3C). Può pulire superfici piane come finestre, ecc. Dopo l'uso, rimuovere la spazzola piatta ruotandola in senso antiorario.

Per pulire scrivanie e sedie, librerie o panni da stirare, posizionare un asciugamano bianco sulla spazzola piatta (3C).

E. Bocchetta grande

L'ugello grande è utile per la pulizia degli angoli.

Per collegarlo, collegare l'estremità più larga dell'ugello all'uscita del vapore in modo che la clip di sicurezza scatti in posizione. (3B)

F. Tubo di prolunga

Se la superficie da pulire è di difficile accesso, utilizzare un tubo di prolunga.

Per collegare l'estremità più larga del tubo flessibile all'uscita del vapore, collegarlo in modo che la clip di sicurezza scatti in posizione.

G, H. Spazzola in nylon e acciaio inox

Inserire l'ugello grande (E) nell'intaglio della spazzola rotonda (3D) e ruotarlo in senso orario fino a sentire uno scatto (3D). Dopo

l'uso, rimuovere la spazzola rotonda ruotandola in senso antiorario.

K. Tubo di prolunga x 3

Se l'area di pulizia è di difficile accesso o se l'apparecchio viene utilizzato per pulire pavimenti o vetri in luoghi elevati, è possibile utilizzarlo con il tubo di prolunga. Il funzionamento è il seguente: collegare l'estremità del tubo di prolunga all'uscita del vapore fino a quando il blocco fisso non è completamente agganciato all'apertura del tubo di prolunga (come per l'ugello grande 3B) e bloccato in posizione con un suono di scatto per indicare che il montaggio è completo. Si noti che l'uso del tubo di prolunga riduce la temperatura del vapore. A seconda della temperatura del tubo, il vapore che esce dall'ugello può variare.

L. Spazzola per pavimenti

Utilizzare una spazzola per pavimenti per pulire il pavimento.

Collegare insieme due o tre tubi di prolunga (K) all'unità. Collegare l'altra estremità dei tubi di prolunga alla spazzola per pavimenti.

Premere i pulsanti sui lati della spazzola per aprire i morsetti di fissaggio, inserire il telo per pavimenti (L) nei morsetti aperti.

Rimuovere il telo dopo l'uso e asciugarlo/lavarlo prima dell'uso successivo.

Pulizia:

1. Prima della pulizia, estrarre la spina dalla presa di corrente.

2. Lasciare raffreddare il pulitore a vapore prima di riporlo.

3. Pulire il pulitore a vapore e gli accessori con un panno umido. Lasciare asciugare completamente tutte le parti.

Conservazione:

Tutte le parti devono essere completamente asciutte prima di essere riposte.

- Conservare sempre il pulitore a vapore in un luogo asciutto, pulito e privo di polvere.

- Conservare il pulitore a vapore sotto chiave, in modo che l'apparecchio sia inaccessibile ai bambini.

Risoluzione dei problemi

Problema:

Non esce vapore dall'ugello

Causa: la spina non è inserita nella presa di rete

Soluzione: Inserire l'apparecchio in una presa di corrente

Causa: Non c'è acqua nel serbatoio.

Soluzione: versare acqua nel serbatoio.

Causa: Il pulsante del vapore non è premuto.

Soluzione: Rilasciare il blocco di accesso per bambini e premere il pulsante del vapore.

Problema:

È accesa solo la luce verde. La luce rossa non si accende.

Causa: la luce è bruciata.

Soluzione: consultare il servizio centrale.

Problema:

La luce rossa è sempre accesa, quella verde non si accende.

Causa: parti elettriche interne rotte o termostato rotto.

Soluzione: consultare il servizio di assistenza centrale.

Problema:

Luce rossa intermittente.

Causa: mancanza di acqua o connessione di rete insufficiente.

Soluzione: verificare che l'apparecchio sia collegato correttamente e completamente alla rete elettrica. Aggiungere acqua. Se lo sfarfallio persiste, contattare il servizio centrale.

Problema:

L'acqua esce dall'ugello.

Causa: non viene utilizzato per molto tempo e il vapore nell'ugello/accessori si condensa.

Soluzione: Fenomeno normale. Premere il pulsante di rilascio del vapore per 2 secondi.

Se l'apparecchio continua a sputare acqua dall'ugello, c'è troppa acqua nell'apparecchio.

Se dall'ugello esce acqua non gassata dopo un uso prolungato, contattare il servizio centrale.

Altri problemi:

Vapore che esce dall'apparecchio da punti diversi dall'ugello del vapore.

Deformazione o ammorbidimento della plastica.

Dopo aver svuotato l'apparecchio o aver fatto uscire il vapore, non è ancora possibile aprire il tappo di sicurezza (1).

Soluzione: contattare il servizio centrale.

Dati tecnici:

Tensione: 220-240V~ 50/60 Hz

Capacità: 400 ml

Potenza: 1200W

Potenza massima: 2000W



Per il rispetto dell'ambiente. Gli imballaggi in cartone e i sacchetti in polietilene (PE) devono essere smaltiti negli appositi contenitori per la raccolta differenziata dei rifiuti urbani in base alla loro descrizione. Se l'apparecchio è dotato di batterie, queste devono essere rimosse e smaltite separatamente in un centro di raccolta e stoccaggio. L'apparecchio usato deve essere portato in un centro di raccolta e stoccaggio adeguato, in quanto le sostanze pericolose in esso contenute possono costituire un rischio per la salute e l'ambiente. Il marchio sul prodotto indica che l'apparecchio non deve essere smaltito nel contenitore dei rifiuti urbani. I rifiuti di apparecchiature elettriche sono rifiuti che contengono sostanze nocive per l'uomo, gli animali e l'ambiente. Queste sostanze possono contaminare il suolo, l'acqua o l'aria, entrando così nel corpo umano e causando una serie di problemi di salute, come alterazioni della vista, dell'udito e del linguaggio; possono inoltre danneggiare i reni, il fegato e il cuore e causare malattie della pelle. Le sostanze nocive possono anche avere effetti negativi sul sistema respiratorio e riproduttivo e portare a cambiamenti cancerogeni. Il consumo di piante che crescono sui terreni colpiti e di prodotti da esse derivati può provocare i suddetti effetti sulla salute. **Non smaltire l'apparecchiatura nei rifiuti urbani!**



Servizio Per l'acquisto di parti di ricambio o per eventuali reclami, si prega di contattare direttamente il rivenditore che ha emesso lo scontrino.

Bruksanvisning (SV)

SÄKERHETSFÖRHÅLLANDEN VIKTIGA SÄKERHETSANVISNINGAR FÖR ANVÄNDNING LÄS NOGA OCH SPARA FÖR FRAMTIDA BRUK

Garantivillkoren är annorlunda om enheten används för kommersiella ändamål.

1. Läs följande anvisningar noggrant och följ dem alltid innan du använder produkten. Tillverkaren ansvarar inte för skador som orsakas av felaktig användning.

2. Produkten får endast användas inomhus. Använd inte produkten för ändamål som är oförenliga med dess användning.

3. Den tillämpliga spänningen är 230V, ~50Hz. Av säkerhetsskäl ska du inte ansluta flera enheter till ett eluttag.

4. Var försiktig när du använder produkten med barn. Låt inte barn leka med produkten. Låt inte barn eller personer som inte är bekanta med apparaten använda den utan uppsikt.

5. VARNING: Denna apparat får endast användas av barn över 8 år och personer med begränsade fysiska, sensoriska eller mentala förmågor, eller personer utan erfarenhet eller kunskap om apparaten, under överinseende

av en person som ansvarar för deras säkerhet eller om de har fått instruktioner om säker användning av apparaten och är medvetna om de risker som är förknippade med dess användning. Barn får inte leka med apparaten. Rengöring och underhåll av apparaten får inte utföras av barn, såvida de inte är minst 8 år gamla och dessa åtgärder utförs under uppsikt.

6. När du har slutat använda produkten, kom alltid ihåg att försiktigt dra ut kontakten ur uttaget genom att hålla i uttaget med handen. Dra aldrig i nätsladden!!!

7. Lämna aldrig produkten ansluten till en strömkälla utan uppsikt. Även om användningen avbryts under en kort tid ska du stänga av den från elnätet och koppla bort strömförsörjningen.

8. Lägg aldrig nätsladden, stickproppen eller hela apparaten i vatten. Utsätt aldrig produkten för väderförhållanden som direkt solljus, regn etc. Använd aldrig produkten i våta miljöer.

9. Kontrollera regelbundet nätsladdens skick. Om nätsladden är skadad ska du lämna in produkten till en professionell serviceverkstad för byte, så att du undviker farliga situationer.

10. Använd aldrig produkten med en skadad nätsladd, om den har tappats eller skadats på annat sätt eller om den inte fungerar som den ska. Försök inte att reparera en defekt produkt själv, eftersom det kan leda till elektriska stötar. Lämna alltid in den defekta enheten till en professionell serviceverkstad för reparation. Reparationer får endast utföras av auktoriserade servicetekniker. Felaktigt utförda reparationer kan leda till farliga situationer för användaren.

11. Placera aldrig produkten på eller i närheten av heta eller varma ytor eller matlagningsapparater som t.ex. en elektrisk ugn eller gasbrännare.

12. Använd aldrig produkten i närheten av brännbara material.

13. Låt inte sladden hänga utanför bänkskivans kant.

14. Om apparaten överfylls kan kokande vatten spruta ut.

15. Rikta aldrig ångregöraren mot dig själv, andra människor, djur eller elektriska apparater, t.ex. ugnar.

16. Du får endast använda apparaten med originaltillbehör.

17. Blockera inte maskinens öppningar och för inte in några föremål i

Öppningarna.

18. Luta inte apparaten mer än 45 grader. Maskinen har konstruerats för att arbeta i upprätt läge.

19. Koppla ur kontakten innan du häller vatten i maskinen.

20. Tillsätt inte några ämnen i vattnet som används i apparaten: avkalkningsmedel, aromatiska oljor, rengöringsmedel.

21. Se till att locket till vattentanken är ordentligt fastskruvat på apparaten.



VARNING: HET ÅNGST Risk för skållning

Beskrivning av apparaten:

1. Säkerhetskran
2. Påfyllningsöppning
3. Låslock
4. Ångutlopp
5. Indikatorlampa
6. Barnlås
7. Ångutlopp
8. Strömkontakt

Tillbehör: A. Tratt × 1 B. Mätkopp × 1 C. Handducket × 1 D. Platt borste × 1 E. Stort munstycke × 1 F. Förlängningsslang × 1 G. Nylonborste × 1 H. Borste av rostfritt stål × 1 I. Golvborste × 1 J. Anslutning för golvborste × 1 K. Förlängningsrör × 3 L. Handduk för golvborste × 1

OBS: - Kontrollera först på en undanskynd plats att det material du tänker rengöra är lämpligt för ångtvätt, t.ex:

Ånga kan orsaka blekning av lackerat trä eller läder.

Oskyddat trä kan svälla.

Ånga kan avlägsna skyddande lager av vax.

Plast kan färgas när den utsätts för ånga.

Mjuka plaster kan deformeras under påverkan av ånga.

Kallt glas eller speglade ytor kan spricka när de utsätts för het ånga.

- Fyll aldrig ångrengöraren med andra vätskor än vatten.

- Ställ under inga omständigheter ångrengöraren eller enskilda delar i diskmaskinen. De skulle skadas.

- Sluta använda ångtvätten om dess plastdelar har sprickor, skador eller är deformerade. Byt endast ut skadade delar mot lämpliga originalreservdelar.

- Använd inte ångrengöraren med tom tank. Dra ut nätkontakten när vattentanken är tom för att undvika överhettning.

- Om du vill rengöra fönster ska du först värma upp dem, t.ex. genom att applicera ånga på en större yta från ett längre avstånd och sedan från ett kortare avstånd.

- Använd handskar, skyddsglasögon och andningsskydd när du försöker avlägsna skadliga ämnen.

Före första användningen:

Avlägsna allt förpackningsmaterial och alla dekaleringar från enheten. Rengör apparaten med en ren och fuktig trasa. Öppna apparaten genom att vrida säkerhetsmuttern (1) åt vänster. Fyll på med vatten och håll ut vattnet. Detta avlägsnar eventuella rester och smuts från apparatens insida. Fortsätt sedan med normal drift.

Användning:

1. Placera ångrengöraren på en torr och plan yta och öppna säkerhetspluggen (1). För att göra detta trycker du ner locket ordentligt och vrider det moturs.

2. Använd mätkoppen (B) och tratten (A) för att fylla apparaten med vatten. Den maximala kapaciteten är 400 ml. Vi föreslår att du fyller på 350 ml för bättre prestanda och högre ångproduktion. Om det finns mer än 350 ml i tanken kan ångan innehålla lite vatten under de första 2 minuterna av användningen.

Särskilda anmärkningar:

Använd rent vatten (små fasta partiklar kan blockera röret eller orsaka fel på maskinen)

Om kranvattnet i ditt område är hårt eller mycket hårt, föreslår vi att du använder en blandning av kranvatten och destillerat vatten.

Håll inte i mindre än 150 ml vatten.

3. Stäng locket genom att vrida det medurs.

4. Sätt i nätkontakten i ett eluttag. En röd lampa tänds för att indikera uppvärmning.

5. När den gröna lampan tänds är apparaten klar att användas. Observera att den röda lampan tänds och släcks under drift.

Använd endast apparaten när den gröna lampan lyser. Annars kommer varmvatten att droppa och stänka från enheten.

6. Vrid barnlåset (6) till läge "on". Tryck sedan på ångavtryckaren (7). Ånga kommer att börja komma ut ur apparaten. Kom ihåg att alltid trycka på ångutlösaren (7), när du släpper ångutlösaren (7) återgår barnlåset (6) till avstängt läge.

När du har avslutat arbetet eller när vattentanken har tömts:

Efter användning:

1. Koppla bort apparaten från elnätet.

2. Tryck in ångavtryckaren (7) och håll den intryckt tills det inte längre kommer någon ånga.

3. Låt apparaten svalna i ca 12-20 minuter, beroende på hur mycket ånga som finns kvar i den.

4. Skruva långsamt av säkerhetslocket (1) och vänta några minuter så att fukten kan rinna ut ur apparaten.

Om det inte finns mer vatten i tanken kommer apparaten att sluta producera ånga. Vattnet måste fyllas på. Följ stegen nedan för att göra detta:

Fyll på tanken igen:

1. Koppla bort apparaten från elnätet.

2. Tryck in ångavtryckaren (7) och håll den intryckt tills det inte längre kommer någon ånga.

3. Låt apparaten svalna i ca 12-20 minuter, beroende på hur mycket ånga som finns kvar i den.

4. Skruva långsamt av säkerhetslocket (1) och vänta några sekunder så att den kvarvarande ångan kan rinna ut.

5. Fyll långsamt tanken med vatten eller en blandning av kranvatten och destillerat vatten. Se till att du inte håller i mer än 400 ml (350 ml rekommenderas)

6. Stäng säkerhetslocket igen (1).

OBSERVERA:

Ångregöraren har ett överhettningsskydd. Den stängs automatiskt av om den blir överhettad. Observera att apparaten kan gå sönder om den används för många gånger med tom tank. Se till att det alltid finns tillräckligt med vatten i tanken under drift.

Beskrivning och användning av tillbehör:

D. Platt borste

För in det stora munstycket i skåran på plattborsten (3C) och vrid den medurs tills du hör ett klick (3C). Kan rengöra plana ytor som fönster etc. Ta bort plattborsten efter användning genom att vrida den moturs.

För rengöring av skrivbord och stolar, bokhyllor eller strykning av kläder, lägg en vit handduk över den platta borsten (3C).

E. Stort munstycke

Det stora munstycket är praktiskt vid rengöring av hörn.

Anslut munstyckets bredare ände till ångutloppet så att säkerhetsklämman snäpper på plats. (3B)

F. Förlängningsslang

Använd en förlängningsslang om det är svårt att komma åt den yta som ska rengöras.

Anslut den bredare änden av slangen till ångutloppet så att säkerhetsklämman snäpper på plats.

G, H. Borste i nylon och rostfritt stål

För in det stora munstycket (E) i skåran på den runda borsten (3D) och vrid det medurs tills du hör ett klick (3D). Efter användning tar du bort den runda borsten genom att vrida den moturs.

K. Förlängningsrör x 3

Om rengöringsområdet är svåråtkomligt eller om apparaten används för att rengöra golv eller glas på höga platser, kan den användas med förlängningsröret. Det fungerar på följande sätt: Anslut förlängningsrörets ände till ångutloppet tills det stationära låset är helt fastklibbat i förlängningsrörets öppning (som med det stora munstycket 3B) och låst på plats med ett klickande ljud som visar att monteringen är klar. Observera att användning av förlängningsröret kommer att sänka ångans temperatur. Beroende på rörets temperatur kan ångan som kommer ut ur munstycket variera.

I. Borste för golv

Använd en golvborste för att rengöra golvet.

Koppla ihop två eller tre förlängningsrör (K) med enheten. Fäst den andra änden av förlängningsrören på golvborsten. Tryck på knapparna på borstens sidor för att öppna fästklämmorna, för in golvhandduken (L) i de öppna klämmorna. Ta bort handduken efter användning och torka/tvätta den före nästa användning.

Rengöring:

1. Dra ut nätkontakten ur vägguttaget före rengöring.
2. Låt ångtvätten svalna före förvaring.
3. Torka av ångrengöraren och tillbehören med en fuktig trasa. Låt alla delar torka helt och hållet.

Förvaring:

Alla delar måste vara helt torra före förvaring.

- Förvara alltid ångrengöraren på en torr, ren och dammfri plats.

- Förvara ångtvätten under lås och placera den så att den inte är åtkomlig för barn.

Felsökning

Problem med:

Ingen ånga kommer ut ur munstycket

Orsak: Stickproppen är inte insatt i eluttaget

Lösning: Anslut apparaten till ett eluttag

Orsak: Det finns inget vatten i tanken.

Lösning: Häll vatten i tanken.

Orsak: Ångknappen är inte intryckt.

Lösning: Lossa barnlåset och tryck på ångknappen.

Problem med ånga:

Endast det gröna ljuset är tändt. Den röda lampan tänds inte.

Orsak: Lampan har brunnit ut.

Lösning: Kontakta central service.

Problem med lampan:

Röd lampa lyser alltid, grön lampa tänds inte.

Orsak: Trasiga interna elektriska delar eller trasig termostat.

Lösning: Kontakta den centrala serviceavdelningen.

Problem med termostaten:

Flimrande rött ljus.

Orsak: Vattenbrist eller dålig nätverksanslutning.

Lösning: Kontrollera att apparaten är korrekt ansluten och helt ansluten till elnätet. Tillsätt vatten. Om flimret kvarstår, kontakta den centrala servicen.

Problem med flimret:

Vatten kommer ut ur munstycket.

Orsak: Har inte använts under en längre tid och ånga i munstycke/tillbehör kondenserar.

Lösning: Normalt fenomen. Tryck på ångavlastningsknappen i 2 sekunder.

Om apparaten fortfarande spottar ut vatten ur munstycket finns det för mycket vatten i apparaten.

Om vatten utan kolsyra kommer ut ur munstycket efter långvarig användning, kontakta central service.

Andra problem:

Ånga kommer ut ur apparaten från andra ställen än ångmunstycket.

Plastdeformation eller uppmjukning av plasten.

Säkerhetslocket (1) går fortfarande inte att öppna efter tömning av apparaten eller efter att ånga har släppts ut.

Lösning: Kontakta central service.

Tekniska data:

Spänning: 220-240V~ 50/60 Hz

Kapacitet: 400 ml

Effekt: 1200W

Maximal effekt: 2000W



För miljöns skull. Kartongförpackningar och påsar av polyeten (PE) ska kastas i lämpliga behållare för separat insamling av kommunalt avfall i enlighet med deras beskrivning. Om det finns batterier i apparaten måste dessa tas ur och lämnas till en separat samlings- och förvaringsanläggning. Den använda apparaten måste lämnas till en lämplig samlings- och förvaringsanläggning, eftersom de farliga ämnen som den innehåller kan utgöra en risk för hälsa och miljö. Märkningen på produkten anger att apparaten inte får slängas i den kommunala avfallsbehållaren. Elavfall är avfall som innehåller ämnen som är skadliga för människor, djur och miljö. Dessa ämnen kan förorena mark, vatten eller luft, och därigenom kan de komma in i människokroppen och leda till ett antal hälsoproblem, såsom nedsatt syn, hörsel, tal, kan också skada njurar, lever och hjärta och orsaka hudsjukdomar. Skadliga ämnen kan också ha negativa effekter på andningsorganen och fortplantningssystemet och leda till cancerförändringar. Konsumtion av växter som växer på de drabbade jordarna och produkter som tillverkas av dem kan leda till ovan nämnda hälsoeffekter. **Kasta inte utrustningen i den kommunala soptunnan!**



Service Om du vill köpa reservdelar eller om du har några klagomål, vänligen kontakta direkt den återförsäljare som utfärdat kvittot.

Ръководство за употреба (BG)

УСЛОВИЯ ЗА БЕЗОПАСНОСТ ВАЖНИ ИНСТРУКЦИИ ЗА БЕЗОПАСНОСТ ПРИ УПОТРЕБА МОЛЯ, ПРОЧЕТЕТЕ ВНИМАТЕЛНО И ЗАПАЗЕТЕ ЗА БЪДЕЩА СПРАВКА

Гаранционните условия са различни, ако устройството се използва за търговски цели.

1. Моля, прочетете внимателно следните инструкции и винаги ги спазвайте, преди да използвате продукта. Производителят не носи отговорност за евентуални повреди, причинени от неправилна употреба.
2. Продуктът може да се използва само на закрито. Не използвайте продукта за цели, които са несъвместими с неговата употреба.
3. Приложимото напрежение е 230V, ~50Hz. От съображения за безопасност не свързвайте няколко устройства към един електрически контакт.
4. Бъдете внимателни, когато използвате с деца. Не позволявайте на децата да си играят с продукта. Не позволявайте на деца или на лица, които не са запознати с уреда, да го използват без надзор.
5. **ПРЕДУПРЕЖДЕНИЕ:** Този уред може да се използва от деца на възраст над 8 години и лица с ограничени физически, сетивни или умствени способности, или лица без опит или познания за уреда, само под надзора на лице, отговорно за тяхната безопасност, или ако те са били инструктирани за безопасното използване на уреда и са наясно с опасностите, свързани с работата му. Децата не трябва да

си играят с уреда. Почистването и поддръжката на уреда не трябва да се извършват от деца, освен ако те не са на възраст най-малко 8 години и тези операции не се извършват под надзор.

6. Когато приключите с използването на продукта, винаги не забравяйте внимателно да извадите щепсела от контакта, като го държите с ръка. Никога не дърпайте захранващия кабел!!!

7. Никога не оставяйте продукта, свързан към източник на захранване, без надзор. Дори ако употребата е прекъсната за кратко време, изключете го от електрическата мрежа, прекъснете захранването.

8. Никога не поставяйте захранващия кабел, щепсела или цялото устройство във вода. Никога не излагайте продукта на атмосферни условия, като пряка слънчева светлина, дъжд и др. Никога не използвайте продукта в мокри условия.

9. Периодично проверявайте състоянието на захранващия кабел. Ако захранващият кабел е повреден, занесете продукта в професионален сервизен център за подмяна, за да избегнете опасни ситуации.

10. Никога не използвайте продукта с повреден захранващ кабел или ако е бил изпуснат или повреден по друг начин, или ако не работи правилно. Не се опитвайте сами да поправяте дефектен продукт, тъй като това може да доведе до токов удар. Винаги връщайте повреденото устройство за ремонт в професионален сервизен център. Всички ремонти трябва да се извършват само от оторизирани сервизни техници. Неправилно извършените ремонти могат да доведат до опасни ситуации за потребителя.

11. Никога не поставяйте продукта върху или в близост до горещи или топли повърхности или уреди за готвене, като например електрическа фурна или газова горелка.

12. Никога не използвайте продукта в близост до запалими материали.

13. Не позволявайте кабелът да виси от ръба на плота.

14. Ако уредът е препълнен, може да се разпръсне вряла вода.

15. Никога не насочвайте парочистачката към себе си, други хора, животни или електрически уреди, например: фурни .

16. Можете да използвате уреда само с оригинални принадлежности.
17. Не блокирайте отворите на машината и не поставяйте никакви предмети в отворите.
18. Не наклоняйте уреда на повече от 45 градуса. Машината е проектирана да работи в изправено положение.
19. Изключете машината от електрическата мрежа, преди да налеее вода в нея.
20. Не добавяйте никакви вещества към водата, използвана в уреда: препарати за отстраняване на котлен камък, ароматни масла, почистващи препарати.
21. Уверете се, че капакът на резервоара за вода е здраво завит към уреда.



ПРЕДУПРЕЖДЕНИЕ: ГОРЕЩА ПАРА Опасност от опарване

Описание на уреда:

1. Предпазен кран
2. Отвор за пълнене
3. Заклучваща капачка
4. Изход за пара
5. Индикаторна светлина
6. Детско заключване
7. Освобождение на парата
8. Щепсел за захранване

Акcesoари: А. Фуния × 1 Б. Мерителна чаша × 1 В. Комплект кърпи × 1 Г. Плоска четка × 1 Е. Голям накрайник × 1 Ф. Удължителен маркуч × 1 Г. Найлонова четка × 1 З. Четка от неръждаема стомана × 1 И. Четка за под х 1 J. Съединител за четка за под х1 К. Удължителна тръба × 3 Л. Кърпа за четка за под х1

ЗАБЕЛЕЖКА: - Първо проверете на невидимо място дали материалът, който възнамерявате да почиствате, е подходящ за почистване с пара, като напр:

Парата може да причини избледняване на лакирано дърво или кожа.

Незащитената дървесина може да набъбне.

Парата може да премахне защитните слоеве на восъка.

Пластмасите могат да се оцветят, когато са изложени на пара.

Меките пластмаси могат да се деформират под въздействието на парата.

Студеното стъкло или огледалните повърхности могат да се напукат под въздействието на гореща пара.

- Никога не пълнете парочистачката с течности, различни от вода.

- В никакъв случай не поставяйте парочистачката или отделни части в съдомиялна машина. Те ще се повредят.

- Спрете да използвате парочистачката, ако пластмасовите ѝ части имат пукнатини, повреди или са деформирани.

Заменяйте повредените части само с подходящи оригинални резервни части.

- Не използвайте парочистачката с празен резервоар. Когато резервоарът за вода е изчерпан, издърпайте щепсела от електрическата мрежа, за да избегнете прегряване.

- Когато желаете да почистите прозорци, първо ги загрейте, напр. като нанесете пара върху по-голяма площ от по-голямо разстояние и след това от по-близо разстояние.

- Носете ръкавици, предпазни очила и средства за защита на дихателните пътища, когато се опитвате да отстраните вредни вещества.

Преди първата употреба:

Отстранете всички опаковъчни материали и стикери от устройството. Почистете устройството с чиста и влажна кърпа. Отворете уреда, като завъртите предпазната гайка (1) наляво. Напълнете уреда с вода и излейте водата. Това ще премахне всички остатъци и фабрични замърсявания от вътрешността на уреда. След това продължете нормалната работа.

Употреба:

1. Поставете уреда за почистване с пара върху суха и равна повърхност и отворете предпазния щепсел (1). За да направите това, натиснете здраво капачката надолу и я завъртете обратно на часовниковата стрелка.
 2. Използвайте мерителната чаша (B) и фунията (A), за да напълните устройството с вода. Максималната вместимост е 400 ml. Препоръчваме да напълните до 350 ml за по-добра работа и по-високо производство на пара. Ако в резервоара има повече от 350 ml, парата може да съдържа известно количество вода през първите 2 минути от използването.
- Специални забележки:
- Моля, използвайте чиста вода (малки твърди частици могат да блокират тръбата или да доведат до повреда на машината) Ако чешмяната вода във вашия район е твърда или много твърда, предлагаме да използвате смес от чешмяна вода и дестилирана вода.
- Моля, не наливайте по-малко от 150 ml вода.
3. Затворете капачката, като я завъртите по посока на часовниковата стрелка.
 4. Включете щепсела в електрическата мрежа. Ще светне червена лампичка, която показва нагряване.
 5. Когато светне зелената светлина, уредът е готов за употреба. Моля, имайте предвид, че червената светлина ще се включва и изключва по време на работа. Моля, използвайте уреда само когато зелената светлина свети. В противен случай от уреда ще капе и пръска гореща вода.
 6. Завъртете ключалката за деца (6) във включено положение. След това натиснете спусъка за пара (7). От уреда ще започне да излиза пара. Не забравяйте винаги да натискате спусъка за пара (7), когато освободите спусъка за пара (7), детският предпазител (6) ще се върне в изключено положение.

Когато приключите работа или когато резервоарът за вода е изпразнен:

След работа:

1. Изключете уреда от електрическата мрежа.
 2. Натиснете спусъка за пара (7) и го задръжте натиснат, докато спре производството на пара.
 3. Оставете уреда да се охлади за около 12-20 минути, в зависимост от количеството пара, което остава вътре.
 4. Бавно отвийте предпазната капачка (1) и изчакайте няколко минути, за да излезе влагата от уреда.
- Ако в резервоара няма повече вода, уредът ще спре да произвежда пара. Водата трябва да се допълни. За да направите това, следвайте стъпките по-долу:
- Напълнете резервоара отново:
1. Изключете уреда от електрическата мрежа.
 2. Натиснете спусъка за пара (7) и го задръжте натиснат, докато спре да произвежда пара.
 3. Оставете уреда да се охлади за около 12-20 минути, в зависимост от количеството пара, което остава вътре.
 4. Бавно отвийте предпазната капачка (1) и изчакайте няколко секунди, за да излезе останалата пара.
 5. Бавно напълнете резервоара с вода или със смес от чешмяна и дестилирана вода. Уверете се, че не наливате повече от 400 ml. (препоръчително 350 ml)
 6. Затворете отново предпазната капачка (1).

ЗАБЕЛЕЖКА:

Парочистачката има система за защита от прегряване. Тя ще се изключи автоматично, ако прегрее. Моля, имайте предвид, че уредът може да се повреди, ако се използва твърде много пъти с празен резервоар. Уверете се, че в резервоара има достатъчно вода по всяко време на работа.

Описание и използване на принадлежностите:

D. Плоска четка

Поставете големия накрайник във вдлъбнатината на плоската четка (3C) и го завъртете по посока на часовниковата стрелка, докато чуete щракване (3C). Може да почиства плоски повърхности като прозорци и др. След употреба извадете плоската четка, като я завъртите обратно на часовниковата стрелка.

За почистване на бюра и столове, книжни шкафове или дрехи за гладене, поставете бяла кърпа върху плоската четка (3C).

E. Голям накрайник

Големият накрайник е удобен при почистване на ъгли.

За да го прикрепите, свържете по-широкия край на найкрайника към изхода за пара, така че предпазната щипка да щракне на място. (3B)

F. Удължителен маркуч

Ако повърхността, която се опитвате да почистите, е трудно достъпна, използвайте удължителния маркуч.

За да прикрепите по-широкия край на маркуча към изхода за пара, свържете го по такъв начин, че предпазната скоба да щракне на място.

G, H. Четка от найлон и неръждаема стомана

Поставете големия найкрайник (E) в изреза на кръглата четка (3D) и го завъртете по посока на часовниковата стрелка, докато чуete щракване (3D). След употреба извадете кръглата четка, като я завъртите обратно на часовниковата стрелка.

K. Удължителна тръба x 3

Ако зоната за почистване е труднодостъпна или уредът се използва за почистване на подове или стъкла на високи места, той може да се използва с удължаващата тръба. Начинът на работа е следният: свържете края на удължителната тръба към изхода за пара, докато стационарното заключване не се вклини напълно в отвора на удължителната тръба (както при големата дюза 3B) и не се заключи на място с щракване, което означава, че монтажът е завършен. Имайте предвид, че използването на удължителната тръба ще намали температурата на парата. В зависимост от температурата на тръбата парата, излизаща от дюзата, може да варира.

I. Четка за под

Използвайте четка за под, за да почистите пода.

Свържете заедно две или три удължителни тръби (K) към уреда. Прикрепете другия край на удължителните тръби към четката за под. Натиснете бутоните отстрани на четката, за да отворите фиксиращите скоби, поставете кърпата за под (L) в отворените скоби. Отстранете кърпата след употреба и я подсушете/изпратете преди следващата употреба.

Почистване:

1. Преди почистване издърпайте щепсела от електрическата мрежа от контакта.
2. Оставете парочистачката да изстине, преди да я съхранявате.
3. Избършете парочистачката и принадлежностите с влажна кърпа. Оставете всички части да изсъхнат напълно.

Съхранение:

Всички части трябва да са напълно сухи преди съхранение.

- Винаги съхранявайте парочистачката на сухо, чисто и безпрашно място.

- Съхранявайте парочистачката под заключване, поставете я така, че уредът да е недостъпен за деца.

Отстраняване на неизправности

Проблем:

От дюзата не излиза пара

Причина: Щепселът не е поставен в електрическата мрежа

Решение: Включете уреда в електрически контакт

Причина: Няма вода в резервоара.

Решение: Налейте вода в резервоара.

Причина: Бутонът за пара не е натиснат.

Решение: Освободете ключалката за достъп на деца и натиснете бутона за пара.

Проблем:

Светва само зелената светлина. Червената светлина не светва.

Причина: Светлината е изгоряла.

Решение: Обърнете се към централния сервиз.

Проблем:

Червената светлина винаги свети, а зелената не светва.

Причина: Счупени вътрешни електрически части или повреден термостат.

Решение: Консултирайте се с централния сервиз.

Проблем:

Мигаща червена светлина.

Причина: Липса на вода или лоша мрежова връзка.

Решение: Проверете дали уредът е правилно свързан и дали е напълно включен към електрическата мрежа. Добавете вода. Ако трептенето продължава, свържете се с централния сервиз.

Проблем:

От дюзата излиза вода.

Причина: Не се използва дълго време и парата в дюзата/аксесоарите кондензира.

Решение: Нормално явление. Натиснете бутона за освобождаване на парата за 2 секунди.

Ако уредът все още изплюва вода от дюзата, в уреда има твърде много вода.

Ако след продължителна употреба от дюзата излиза негазирана вода, свържете се с централния сервиз.

Други проблеми:

Пара, излизаша от уреда от места, различни от дюзата за пара.

Деформация на пластмасата или омекване на пластмасата.

След изпразване на уреда или изпускане на пара предпазната капачка (1) все още не може да се отвори.

Решение: Свържете се с централния сервиз.

Технически данни:

Напрежение: 220-240V~ 50/60 Hz

Капацитет: 400 ml

Мощност: 1200W

Максимална мощност: 2000W



В името на околната среда. Картонените опаковки и полиетиленовите (PE) торбички трябва да се изхвърлят в подходящите контейнери за разделно събиране на битови отпадъци според описанието им. Ако в уреда има батерии, те трябва да се извадят и да се изхвърлят отделно в съоръжение за събиране и съхранение. Използваният уред трябва да се предаде в подходящо съоръжение за събиране и съхранение, тъй като съдържащите се в него опасни вещества могат да представляват риск за здравето и околната среда. Маркировката върху продукта показва, че уредът не трябва да се изхвърля в контейнера за битови отпадъци. Отпадъците от електрическо оборудване са отпадъци, които съдържат вещества, вредни за хората, животните и околната среда. Тези вещества могат да замърсят почвата, водата или въздуха, а чрез това могат да попаднат в човешкия организъм и да доведат до редица здравословни проблеми, като например нарушено зрение, слух, говор, могат също така да увредят бъбреците, черния дроб и сърцето и да причинят кожни заболявания. Вредните вещества могат също така да имат неблагоприятно въздействие върху дихателната и репродуктивната система и да доведат до ракови изменения. Консумацията на растения, растящи върху засеннатите почви, и на продукти, произведени от тях, може да доведе до гореспломенатите последици за здравето. **Не изхвърляйте оборудването в контейнера за битови отпадъци!**

Сервиз Ако желаете да закупите резервни части или имате някакви оплаквания, моля се обърнете директно към търговеца, който е издал касовата бележка.

Brugsanvisning (DA)

SIKKERHEDSFORHOLD

VIGTIGE SIKKERHEDSINSTRUKTIONER TIL BRUG

LÆS OMHYGGELIGT OG OPBEVAR TIL FREMTIDIG REFERENCE

Garantibetingelserne er forskellige, hvis enheden bruges til kommercielle formål.

1. Læs følgende instruktioner omhyggeligt, og følg dem altid, før du bruger produktet. Producenten er ikke ansvarlig for skader forårsaget af forkert brug.

2. Produktet må kun bruges indendørs. Brug ikke produktet til formål, der er uforenelige med dets anvendelse.

3. Den gældende spænding er 230V, ~50Hz. Af sikkerhedsmæssige

årsager må der ikke tilsluttes flere enheder til en stikkontakt.

4. Vær forsigtig, når du bruger det sammen med børn. Lad ikke børn lege med produktet. Lad ikke børn eller andre, der ikke er fortrolige med apparatet, bruge det uden opsyn.

5. ADVARSEL: Dette apparat må kun bruges af børn over 8 år og personer med begrænsede fysiske, sensoriske eller mentale evner, eller personer uden erfaring eller kendskab til apparatet, under opsyn af en person, der er ansvarlig for deres sikkerhed, eller hvis de er blevet instrueret i sikker brug af apparatet og er klar over de farer, der er forbundet med dets drift. Børn må ikke lege med apparatet. Rengøring og vedligeholdelse af apparatet bør ikke udføres af børn, medmindre de er mindst 8 år gamle, og disse handlinger udføres under opsyn.

6. Når du er færdig med at bruge produktet, skal du altid huske at tage stikket forsigtigt ud af stikkontakten ved at holde i stikkontakten med hånden. Træk aldrig i netledningen!!!

7. Lad aldrig produktet være tilsluttet en strømkilde uden opsyn. Selv hvis brugen afbrydes i kort tid, skal du slukke for strømmen og afbryde strømforsyningen.

8. Læg aldrig netledningen, stikket eller hele enheden i vand. Udsæt aldrig produktet for vejrforhold som direkte sollys, regn osv. Brug aldrig produktet under våde forhold.

9. Kontrollér jævnligt netledningens tilstand. Hvis netledningen er beskadiget, skal du bringe produktet til et professionelt servicecenter for at få det udskiftet, så du undgår farlige situationer.

10. Brug aldrig produktet med en beskadiget netledning, eller hvis det er blevet tabt eller på anden måde beskadiget, eller hvis det ikke fungerer korrekt. Forsøg ikke selv at reparere et defekt produkt, da det kan føre til elektrisk stød. Bring altid den defekte enhed til et professionelt servicecenter for at få den repareret. Reparationer må kun udføres af autoriserede serviceteknikere. Forkert udførte reparationer kan resultere i farlige situationer for brugeren.

11. Placer aldrig produktet på eller i nærheden af varme eller varme overflader eller kogeapparater, som f.eks. en elektrisk ovn eller

gasbrænder.

12. Brug aldrig produktet i nærheden af brændbare materialer.
13. Lad ikke ledningen hænge ud over kanten af bordpladen.
14. Hvis apparatet overfyldes, kan der sprøjte kogende vand ud.
15. Ret aldrig damprenseren mod dig selv, andre mennesker, dyr eller elektriske apparater, f.eks. ovne.
16. Du må kun bruge apparatet med originalt tilbehør.
17. Bloker ikke maskinens åbninger, og stik ikke genstande ind i åbningerne.
18. Vip ikke apparatet mere end 45 grader. Maskinen er designet til at arbejde i lodret position.
19. Tag stikket ud af stikkontakten, før du hælder vand i den.
20. Tilsæt ikke nogen stoffer til det vand, der bruges i apparatet: afkalkningsmidler, aromatiske olier, rengøringsmidler.
21. Sørg for, at låget til vandtanken er skruet godt fast på apparatet.



ADVARSEL: VARM DAMP Fare for skoldning

Beskrivelse af apparatet:

1. Sikkerhedshane 2. Påfyldningsåbning 3. Låsehætte 4. Dampudløb
5. Indikatorlys 6. Bømesikring 7. Dampudløser 8. Strømsik

Tilbehør: A. Tragt x 1 B. Målebæger x 1 C. Håndklædesæt x 1 D. Flad børste x 1 E. Stort mundstykke x 1 F. Forlængerslange x 1 G. Nylonbørste x 1 H. Rustfri stålborste x 1 I. Gulvbørste x 1 J. Tilslutning til gulvbørste x1 K. Forlængerrør x 3 L. Håndklæde til gulvbørste x1

BEMÆRK: - Kontroller først i et usynligt område, at det materiale, du vil rengøre, er egnet til damprensning, f.eks:

Damp kan forårsage falmning af lakeret træ eller læder.

Ubeskyttet træ kan svulme op.

Damp kan fjerne beskyttende lag af voks.

Plast kan blive farvet, når det udsættes for damp.

Blød plast kan deformeres under påvirkning af damp.

Koldt glas eller spejflader kan revne, når de udsættes for varm damp.

- Fyld aldrig damprenseren med andre væsker end vand.
- Sæt under ingen omstændigheder damprenseren eller de enkelte dele i opvaskemaskinen. De vil blive beskadiget.
- Stop med at bruge damprenseren, hvis dens plastdele har revner, er beskadigede eller deformerede. Udskift kun beskadigede dele med egnede originale reservedele.
- Brug ikke damprenseren med en tom tank. Når vandtanken er tom, skal du trække stikket ud for at undgå overophedning.
- Når du vil rengøre vinduer, skal du først varme dem op, f.eks. ved at påføre damp på et større område fra en større afstand og

derefter fra en tættere afstand.

- Brug handsker, sikkerhedsbriller og åndedrætsværn, når du forsøger at fjerne skadelige stoffer.

Før første brug:

Fjern alle emballagematerialer og klistermærker fra enheden. Rengør enheden med en ren og fugtig klud. Åbn apparatet ved at dreje sikkerhedsmøtrikken (1) til venstre. Fyld med vand, og hæld vandet ud. Dette vil fjerne eventuelle rester og fabriksnavn fra apparatets indre. Fortsæt derefter med normal drift.

Anvendelse:

1. Placer damprenseren på en tør og plan overflade, og åbn sikkerhedsproppen (1). Det gør du ved at trykke hættten godt ned og dreje den mod uret.

2. Brug målebægeret (B) og tragten (A) til at fylde apparatet med vand. Den maksimale kapacitet er 400 ml. Vi anbefaler at fylde 350 ml for at opnå bedre ydeevne og højere dampproduktion. Hvis der er mere end 350 ml i tanken, kan dampen indeholde lidt vand i de første 2 minutter af brugen.

Særlige bemærkninger:

Brug venligst rent vand (små faste partikler kan blokere røret eller få maskinen til at svigte)

Hvis ledningsvandet i dit område er hårdt eller meget hårdt, foreslår vi, at du bruger en blanding af ledningsvand og destilleret vand.

Hæld ikke mindre end 150 ml vand i.

3. Luk hættten ved at dreje den med uret.

4. Sæt netstikket i en stikkontakt. Et rødt lys vil lyse for at indikere opvarmning.

5. Når det grønne lys tændes, er apparatet klar til brug. Bemærk, at det røde lys vil tænde og slukke under brug. Brug kun apparatet, når det grønne lys er tændt. Ellers vil der dryppe og sprøjte varmt vand ud af apparatet.

6. Drej børnesikringen (6) til positionen on. Tryk derefter på dampudløseren (7). Der vil begynde at komme damp ud af apparatet. Husk altid at trykke på dampudløseren (7), for når du slipper dampudløseren (7), vender børnesikringen (6) tilbage til slukket position.

Når du er færdig med at arbejde, eller når vandtanken er blevet tømt:

Efter brug:

1. Træk stikket ud af stikkontakten.

2. Tryk på dampudløseren (7), og hold den nede, indtil der ikke længere produceres damp.

3. Lad apparatet køle af i ca. 12-20 minutter, afhængigt af mængden af damp, der er tilbage indeni.

4. Skru langsomt sikkerhedshætten (1) af, og vent et par minutter, så fugten kan slippe ud af apparatet.

Hvis der ikke er mere vand i tanken, holder apparatet op med at producere damp. Vandet skal fyldes op. Følg nedenstående trin for at gøre dette:

Fyld tanken op igen:

1. Afbryd apparatet fra strømforsyningen.

2. Tryk på dampudløseren (7), og hold den nede, indtil der ikke længere produceres damp.

3. Lad apparatet køle af i ca. 12-20 minutter, afhængigt af mængden af damp, der er tilbage indeni.

4. Skru langsomt sikkerhedshætten (1) af, og vent et par sekunder på, at den resterende damp slipper ud.

5. Fyld langsomt tanken med vand eller en blanding af postevand og destilleret vand. Sørg for ikke at hælde mere end 400 ml. (350 ml anbefales)

6. Luk sikkerhedshætten igen (1).

BEMÆRK:

Damprenseren har et beskyttelsessystem mod overophedning. Den slukker automatisk, hvis den bliver overophedet. Vær opmærksom på, at apparatet kan gå i stykker, hvis det bruges for mange gange med en tom tank. Sørg for, at der altid er tilstrækkeligt med vand i tanken under brug.

Beskrivelse og brug af tilbehør:

D. Flad børste

Sæt det store mundstykke ind i hakket på fladbørsten (3C), og drej det med uret, indtil du hører et klik (3C). Den kan rengøre flade overflader som vinduer osv. Fjern fladbørsten efter brug ved at dreje den mod uret.

Til rengøring af skriveborde og stole, bogreoler eller strygetøj lægges et hvidt håndklæde over fladbørsten (3C).

E. Stort mundstykke

Det store mundstykke er praktisk til rengøring af hjørner.

Tilslut den brede ende af mundstykket til dampudløbet, så sikkerhedsklemmen klikker på plads. (3B)

F. Forlængerslange

Brug en forlængerslange, hvis det er svært at komme til den overflade, du prøver at rengøre.

For at sætte den brede ende af slangen på dampudtaget skal du tilslutte den på en sådan måde, at sikkerhedsklemmen klikker på plads.

G, H. Børste af nylon og rustfrit stål

Sæt det store mundstykke (E) ind i hakket på den runde børste (3D), og drej det med uret, indtil du hører et klik (3D). Fjern den runde børste efter brug ved at dreje den mod uret.

K. Forlængerrør x 3

Hvis rengøringsområdet er svært tilgængeligt, eller hvis apparatet bruges til at rengøre gulve eller glas på høje steder, kan det bruges med forlængerrøret. Det fungerer på følgende måde: Tilslut enden af forlængerrøret til dampudløbet, indtil den stationære lås er klikket helt ind i forlængerrørets åbning (som med det store mundstykke 3B) og låst på plads med en kliklyd som tegn på, at samlingen er færdig. Bemærk, at brugen af forlængerrøret vil reducere dampens temperatur. Afhængigt af rørets temperatur kan dampen, der kommer ud af dysen, variere.

I. Gulvbørste

Brug en gulvbørste til at rengøre gulvet.

Sæt to eller tre forlængerrør (K) sammen med enheden. Sæt den anden ende af forlængerrørene fast på gulvbørsten. Tryk på knapperne på siden af børsten for at åbne fastgørelsesklemmerne, og sæt gulvhåndklædet (L) ind i de åbne klemmer. Fjern håndklædet efter brug, og tør/vask det før næste brug.

Rengøring:

1. Træk netstikket ud af stikkontakten før rengøring.
2. Lad damprenseren køle af, før du opbevarer den.
3. Tør damprenseren og tilbehøret af med en fugtig klud. Lad alle dele tørre helt.

Opbevaring:

Alle dele skal være helt tørre før opbevaring.

- Opbevar altid damprenseren på et tørt, rent og støvfrit sted.

- Opbevar damprenseren under lås, og placer den, så den er utilgængelig for børn.

Fejlfinding

Der er et problem:

Der kommer ingen damp ud af dysen

Årsag: Stikket er ikke sat i stikkontakten

Løsning: Sæt apparatet i en stikkontakt

Årsag: Der er ikke vand i tanken.

Løsning: Hæld vand i tanken.

Årsag: Der er ikke trykket på dampknappen.

Løsning: Løsn børnesikringen, og tryk på dampknappen.

Det er et problem:

Kun det grønne lys er tændt. Det røde lys tænder ikke.

Årsag: Lyset er brændt ud.

Løsning: Kontakt den centrale service.

Problemer:

Det røde lys er altid tændt, men det grønne lys lyser ikke.

Årsag: Ødelagte interne elektriske dele eller ødelagt termostat.

Løsning: Kontakt den centrale serviceafdeling.

Problemer:

Flimrende rødt lys.

Årsag: Vandmangel eller dårlig netværksforbindelse.

Løsning: Kontrollér, at apparatet er korrekt tilsluttet og fuldt forbundet med elnettet. Tilsæt vand. Hvis flimren stadig forekommer, skal du kontakte den centrale service.

Problemer med apparatet:

Der kommer vand ud af dysen.

Årsag: Ikke brugt i lang tid, og dampen i dysen/tilbehøret kondenserer.

Løsning: Normalt fænomen. Tryk på dampudløserknappen i 2 sekunder.

Hvis apparatet stadig spytter vand ud af dysen, er der for meget vand i apparatet.

Hvis der kommer vand uden kulsyre ud af mundstykket efter længere tids brug, skal du kontakte den centrale service.

Andre problemer:

Der kommer damp ud af apparatet fra andre steder end dampdysen.

Plastdeformation eller blødgøring af plasten.

Efter tømning af apparatet eller udledning af damp kan sikkerhedshætten (1) stadig ikke åbnes.

Løsning: Kontakt den centrale service.

Tekniske data:

Spænding: 220-240V~ 50/60 Hz

Kapacitet: 400 ml

Effekt: 1200W

Maksimal effekt: 2000W



Af hensyn til miljøet. Papemballage og polyethylen (PE)-poser skal bortskaffes i de relevante containere til separat indsamling af kommunalt affald i henhold til deres beskrivelse. Hvis der er batterier i apparatet, skal de tages ud og bortskaffes separat på et indsamlings- og opbevaringssted. Det brugte apparat skal afleveres på et egnet indsamlings- og opbevaringssted, da de farlige stoffer, det indeholder, kan udgøre en risiko for sundhed og miljø. Mærkningen på produktet angiver, at apparatet ikke må bortskaffes i den kommunale affaldscontainer. Kasseret elektrisk udstyr er affald, der indeholder stoffer, som er skadelige for mennesker, dyr og miljø. Disse stoffer kan forurene jord, vand eller luft, og derigennem kan de trænge ind i menneskekroppen og føre til en række helbredsproblemer, såsom nedsat syn, hørelse, tale, kan også skade nyrer, lever og hjerte og forårsage hudsygdomme. Skadelige stoffer kan også have negative virkninger på åndedræts- og forplantningssystemet og føre til kræftforandringer. Indtagelse af planter, der vokser på de berørte jorde, og produkter, der er fremstillet af dem, kan resultere i de ovennævnte helbredseffekter. **Smid ikke udstyret i den kommunale affaldsspand!**



Service Hvis du ønsker at købe reservede eller har nogen klager, bedes du kontakte den forhandler, der har udstedt kvitteringen, direkte.

Používateľská príručka (SK)

BEZPEČNOSTNÉ PODMIENKY

DÔLEŽITÉ BEZPEČNOSTNÉ POKYNY NA POUŽÍVANIE

POZORNE SI PREČÍTAJTE A USCHOVAJTE PRE BUDÚCE POUŽITIE

Záručné podmienky sa líšia, ak sa zariadenie používa na komerčné účely.

1. Pred použitím výrobku si pozorne prečítajte nasledujúce pokyny a vždy ich dodržiavajte. Výrobca nezodpovedá za škody spôsobené nesprávnym používaním.
2. Výrobok sa môže používať len v interiéri. Výrobok nepoužívajte na účely nezlučiteľné s jeho použitím.
3. Použitelné napätie je 230 V, ~50 Hz. Z bezpečnostných dôvodov nepripájajte k jednej elektrickej zásuvke viacero zariadení.
4. Pri používaní s deťmi buďte opatrní. Nedovoľte deťom, aby sa s výrobkom hrali. Nedovoľte deťom alebo osobám, ktoré nie sú oboznámené so spotrebičom, aby ho používali bez dozoru.

5. VAROVANIE: Tento spotrebič môžu používať deti staršie ako 8 rokov a osoby s obmedzenými fyzickými, zmyslovými alebo mentálnymi schopnosťami alebo osoby bez skúseností a znalostí spotrebiča len pod dohľadom osoby zodpovednej za ich bezpečnosť alebo ak boli poučené o bezpečnom používaní spotrebiča a sú si vedomé nebezpečenstiev spojených s jeho prevádzkou. Deti by sa so spotrebičom nemali hrať. Čistenie a údržbu spotrebiča by nemali vykonávať deti, pokiaľ nemajú najmenej 8 rokov a tieto činnosti sa nevykonávajú pod dohľadom.
6. Po skončení používania výrobku vždy nezabudnite opatrne vytiahnuť zástrčku zo zásuvky tak, že ju pridržíte rukou. Nikdy neťahajte za napájací kábel!!!
7. Nikdy nenechávajte výrobok pripojený k zdroju napájania bez dozoru. Aj v prípade krátkodobého prerušenia používania ho vypnite z elektrickej siete, odpojte napájací zdroj.
8. Napájací kábel, zástrčku ani celé zariadenie nikdy nevkladajte do vody. Výrobok nikdy nevystavujte poveternostným vplyvom, ako je priame slnečné žiarenie, dážď a pod. Výrobok nikdy nepoužívajte vo vlhkých podmienkach.
9. Pravidelne kontrolujte stav napájacieho kábla. Ak je napájací kábel poškodený, odneste výrobok do odborného servisného strediska na výmenu, aby ste predišli nebezpečným situáciám.
10. Výrobok nikdy nepoužívajte s poškodeným napájacím káblom, ak vám spadol alebo bol inak poškodený, alebo ak nefunguje správne. Poškodený výrobok sa nepokúšajte opraviť sami, pretože to môže viesť k úrazu elektrickým prúdom. Poškodený prístroj vždy odneste na opravu do odborného servisného strediska. Akékoľvek opravy smú vykonávať len autorizovaní servisní technici. Nesprávne vykonané opravy môžu mať za následok nebezpečné situácie pre používateľa.
11. Výrobok nikdy neumiestňujte na horúce alebo teplé povrchy alebo do ich blízkosti, ani do blízkosti varných zariadení, ako je elektrická rúra alebo plynový horák.
12. Výrobok nikdy nepoužívajte v blízkosti horľavých materiálov.
13. Nedovoľte, aby kábel visel z okraja pracovnej dosky.

14. Ak je spotrebič preplnený, môže z neho vystreknúť vriaca voda.
15. Parný čistič nikdy nemierte na seba, iné osoby, zvieratá alebo elektrické spotrebiče, napr. na: rúry .
16. Spotrebič môžete používať len s originálnym príslušenstvom.
17. Neblokujte otvory zariadenia ani do nich nekladajte žiadne predmety.
18. Nenakláňajte spotrebič o viac ako 45 stupňov. Prístroj bol navrhnutý na prácu vo vzpriamenej polohe.
19. Pred nalitím vody do stroja ho odpojte od elektrickej siete.
20. Do vody použíwanej v spotrebiči nepridávajte žiadne látky: odvápnovače, aromatické oleje, čistiace prostriedky.
21. Uistite sa, že je veko nádržky na vodu pevne naskrutkované na spotrebič.



VAROVANIE: HORÚCA PARA Nebezpečenstvo obarenia

Popis spotrebiča:

1. Bezpečnostný kohút
2. Plniaci otvor
3. Uzatvárací uzáver
4. Výstup pary
5. Kontrolka
6. Detská poistka
7. Uvoľňovanie pary
8. Napájacia zástrčka

Príslušenstvo: A. Lievik × 1 B. Odmerka × 1 C. Súprava uterákov × 1 D. Plochá kefa × 1 E. Veľká tryska × 1 F. Predlžovacia hadica × 1 G. Nylonová kefa × 1 H. Nerezová kefa × 1 I. Podlahová kefa × 1 J. Prípojka na podlahovú kefu × 1 K. Predlžovacia hadica × 3 L. Uterák na podlahovú kefu x1

POZNÁMKA: - Najskôr na neviditeľnom mieste skontrolujte, či je materiál, ktorý plánujete čistiť, vhodný na čistenie parou, ako napr: Para môže spôsobiť vyblednutie lakovaného dreva alebo kože.

Nechránené drevo môže napučať.

Para môže odstrániť ochranné vrstvy vosku.

Plasty sa môžu pri pôsobení pary sfarbiť.

Mäkké plasty sa môžu pod vplyvom pary deformovať.

Studené sklo alebo zrkadlové povrchy môžu pri pôsobení horúcej pary popraskať.

- Parný čistič nikdy nenapĺňajte inými kvapalinami ako vodou.
- Parný čistič ani jeho jednotlivé časti v žiadnom prípade nekladajte do umývačky riadu. Poškodili by sa.
- Parný čistič prestaňte používať, ak jeho plastové časti vykazujú praskliny, poškodenie alebo sú zdeformované. Poškodené diely nahradte len vhodnými originálnymi náhradnými dielmi.
- Nepoužívajte parný čistič s prázdnu nádržou. Keď je nádržka na vodu vyčerpaná, vytiahnite sieťovú zástrčku, aby ste zabránili prehriatiu.
- Ak chcete čistiť okná, najprv ich zahrejte, napr. nanosením pary na väčšiu plochu z väčšej vzdialenosti a potom z menšej vzdialenosti.
- Pri pokuse o odstránenie škodlivých látok používajte rukavice, ochranné okuliare a ochranu dýchacích ciest.

Pred prvým použitím:

Odstráňte z prístroja všetky obalové materiály a nálepky. Prístroj vyčistite čistou a vlhkou handričkou. Otvorte spotrebič otočením

bezpečnostnej matice (1) dolava. Naplňte ho vodou a vodu vylejte. Tým sa z vnútra spotrebiča odstráni všetky zvyšky a továrenské nečistoty. Potom pokračujte v bežnej prevádzke.

Používanie: V prípade potreby môžete spotrebič použiť ako spotrebič s nízkou spotrebou energie:

1. Umiestnite parný čistič na suchý a rovný povrch a otvorte bezpečnostnú zástrčku (1). Na tento účel pevne stlačte uzáver a otočte ním proti smeru hodinových ručičiek.

2. Pomocou odmerky (B) a lievika (A) naplňte zariadenie vodou. Maximálna kapacita je 400 ml. Odporúčame naplniť do 350 ml pre lepší výkon a vyššiu produkciu pary. Ak je v nádržke viac ako 350 ml, para môže počas prvých 2 minút používania obsahovať trochu vody.

Špeciálne poznámky: V prípade potreby je možné použiť parný stroj:

Používajte čistú vodu (malé pevné častice môžu zablokovať potrubie alebo spôsobiť poruchu zariadenia)

Ak je voda z vodovodu vo vašej oblasti tvrdá alebo veľmi tvrdá, odporúčame používať zmes vody z vodovodu a destilovanej vody. Nenalievajte menej ako 150 ml vody.

3. Uzáver uzavrite otočením v smere hodinových ručičiek.

4. Zasuňte sieťovú zástrčku do elektrickej zásuvky. Rozsvieti sa červená kontrolka signalizujúca ohrev.

5. Keď sa rozsvieti zelené svetlo, spotrebič je pripravený na použitie. Upozorňujeme, že červená kontrolka sa počas prevádzky zapína a vypína. Spotrebič používajte len vtedy, keď svieti zelená kontrolka. V opačnom prípade bude zo zariadenia kvapkať a striekať horúca voda.

6. Otočte detskú poistku (6) do zapnutej polohy. Potom stlačte spúšťač pary (7). Zo spotrebiča začne vychádzať para. Nezabudnite vždy stlačiť spúšť pary (7), keď uvoľníte spúšť pary (7), detská poistka (6) sa vráti do polohy vypnuté.

Po ukončení práce alebo po vyprázdnení nádržky na vodu:

Po skončení prevádzky:

1. Odpojte spotrebič od elektrickej siete.

2. Stlačte spúšťač pary (7) a držte ho stlačený, kým sa para neprestane vytvárať.

3. Nechajte spotrebič vychladnúť približne 12-20 minút v závislosti od množstva pary, ktorá zostala vo vnútri.

4. Pomaly odskrutkujte bezpečnostný uzáver (1) a počkajte niekoľko minút, kým zo spotrebiča unikne vlhkosť.

Ak v nádržke už nie je žiadna voda, spotrebič prestane produkovať paru. Voda sa musí doplniť. Ak to chcete urobiť, postupujte podľa nižšie uvedených krokov:

Znovu naplňte nádržku:

1. Odpojte spotrebič od elektrickej siete.

2. Stlačte spúšťač pary (7) a držte ho stlačený, kým sa para neprestane vytvárať.

3. Nechajte spotrebič vychladnúť približne 12-20 minút v závislosti od množstva pary, ktorá zostala vo vnútri.

4. Pomaly odskrutkujte bezpečnostný uzáver (1) a počkajte niekoľko sekúnd, kým zostávajúca para unikne.

5. Pomaly naplňte nádržku vodou alebo zmesou vody z vodovodu a destilovanej vody. Dbajte na to, aby ste nenaliali viac ako 400 ml. (odporúča sa 350 ml)

6. Opäť zatvorte bezpečnostný uzáver (1).

POZNÁMKA:

Parný čistič má systém ochrany proti prehriatiu. V prípade prehriatia sa automaticky vypne. Upozorňujeme, že pri príliš častom používaní s prázdnu nádržou sa spotrebič môže pokaziť. Uistite sa, že je v nádrži počas celej prevádzky dostatok vody.

Popis a použitie príslušenstva:

D. Plochá kefa

Vložte veľkú trysku do zárezu plochej kefy (3C) a otáčajte ňou v smere hodinových ručičiek, kým nebudete počuť cvaknutie (3C).

Môže čistiť ploché povrchy, ako sú okná a pod. Po použití vyberte plochú kefu jej otočením proti smeru hodinových ručičiek.

Na čistenie stolov a stoličiek, knižných skrií alebo žehlenia oblečenia položte na plochú kefu (3C) bielu utierku.

E. Veľká hubica

Veľká hubica sa hodí pri čistení rohov.

Ak ju chcete pripojiť, pripojte širší koniec trysky k výstupu pary tak, aby bezpečnostná spona zapadla na miesto. (3B)

F. Predĺžovacia hadica

Ak je povrch, ktorý sa snažíte vyčistiť, ťažko prístupný, použite predĺžovaciu hadicu.

Ak chcete pripojiť širší koniec hadice k výstupu pary, pripojte ho tak, aby bezpečnostná spona zapadla na miesto.

G, H. Nylonová a nerezová kefa

Vložte veľkú trysku (E) do zárezu okrúhlej kefy (3D) a otáčajte ňou v smere hodinových ručičiek, kým nebudete počuť cvaknutie (3D). Po použití vyberte okrúhlu kefu jej otočením proti smeru hodinových ručičiek.

K. Predĺžovacia trubica x 3

Ak je oblasť čistenia ťažko prístupná alebo sa spotrebič používa na čistenie podláh alebo skla na vyvýšených miestach, možno ho používať s predlžovacou trubicou. Funguje to nasledovne: pripojte koniec predlžovacej trubice k výstupu pary, kým sa stacionárny zámok úplne nezacvakne do otvoru predlžovacej trubice (ako pri veľkej tryske 3B) a nezaistí sa cvaknutím, ktoré znamená dokončenie montáže. Upozorňujeme, že použitie predlžovacej trubice zníži teplotu pary. V závislosti od teploty trubice sa môže para vychádzajúca z dýzy líšiť.

I. Podlahová kefa

Na čistenie podlahy použite podlahovú kefu.

K jednotke pripojte dve alebo tri predlžovacie trubice (K) spoločne. Druhý koniec predlžovacích trubíc pripojte k podlahovej kefe. Stlačením tlačidiel po stranách kefy otvorte upevňovacie svorky, do otvorených svoriek vložte podlahovú utierku (L). Po použití uterák odstráňte a pred ďalším použitím ho vysušte/vyperte.

Čistenie:

1. Pred čistením vytiahnite sieťovú zástrčku zo zásuvky.
2. Pred uskladnením nechajte parný čistič vychladnúť.
3. Parný čistič a príslušenstvo utrite vlhkou handričkou. Všetky časti nechajte úplne vyschnúť.

Skladovanie:

Pred uskladnením musia byť všetky časti úplne suché.

- Parný čistič skladujte vždy na suchom, čistom a bezprašnom mieste.

- Parný čistič skladujte pod uzamknutím, umiestnite ho tak, aby bol spotrebič neprístupný pre deti.

Riešenie problémov

Problém:

Z dýzy nevychádza para

Príčina: Zástrčka nie je zasunutá v sieťovej zásuvke

Riešenie: Zapojte spotrebič do elektrickej zásuvky

Príčina: V nádržke nie je voda.

Riešenie: Nalejte vodu do nádržky.

Príčina: Nie je stlačené tlačidlo pary.

Riešenie: Uvoľnite detskú poistku prístupu a stlačte tlačidlo pary.

Problém: Pripojte parný stroj na paru:

Svieti len zelená kontrolka. Červené svetlo sa nerozsvieti.

Príčina: Svetlo sa prepáľilo.

Riešenie: Obráťte sa na centrálny servis.

Problém:

Červené svetlo svieti stále, zelené svetlo sa nerozsvieti.

Príčina: Poškodené vnútorné elektrické časti alebo pokazený termostat.

Riešenie: Obráťte sa na centrálny servis.

Problém:

Blikanie červeného svetla.

Príčina: Nedostatok vody alebo zlé sieťové pripojenie.

Riešenie: Skontrolujte, či je spotrebič správne a úplne pripojený k elektrickej sieti. Pridajte vodu. Ak blikanie stále pretrváva, kontaktujte centrálny servis.

Problém:

Voda vychádza z trysky.

Príčina: Dlho sa nepoužíva a para v dýze/príslušenstve kondenzuje.

Riešenie: Normálny jav. Stlačte tlačidlo na uvoľnenie pary na 2 sekundy.

Ak spotrebič stále chrlí vodu z dýzy príliš veľa vody v spotrebiči.

Ak po dlhšom používaní vychádza z dýzy nesýtená voda, obráťte sa na centrálny servis.

Iné problémy:

Para vychádza zo spotrebiča z iných miest ako z parnej trysky.

Deformácia alebo zmäknutie plastu.

Po vyprázdnení spotrebiča alebo vypustení pary sa bezpečnostný uzáver (1) stále nedá otvoriť.
Riešenie: Kontaktujte centrálny servis.

Technické údaje:

Napätie: 220-240 V~ 50/60 Hz

Kapacita: 400 ml

Výkon: 1200 W

Maximálny výkon: 2000W



V záujme ochrany životného prostredia. Kartónové obaly a polyetylénové (PE) vrecia by sa mali likvidovať v príslušných nádobách na separovaný zber komunálneho odpadu podľa ich popisu. Ak sa v spotrebiči nachádzajú batérie, je potrebné ich vybrať a zlikvidovať oddelene v zbernom a skladovacom zariadení. Použitý spotrebič sa musí odovzdať do vhodného zberného a skladového zariadenia, pretože nebezpečné látky, ktoré obsahuje, môžu predstavovať riziko pre zdravie a životné prostredie. Označenie na výrobku uvádza, že spotrebič sa nesmie vyhadzovať do kontajnera na komunálny odpad. Elektroodpad je odpad, ktorý obsahuje látky škodlivé pre ľudí, zvieratá a životné prostredie. Tieto látky môžu kontaminovať pôdu, vodu alebo vzduch a prostredníctvom toho sa môžu dostať do ľudského organizmu a viesť k mnohým zdravotným problémom, ako sú poruchy zraku, sluchu, reči, môžu tiež poškodiť obličky, pečeň a srdce a spôsobiť kožné ochorenia. Škodlivé látky môžu mať nepriaznivé účinky aj na dýchací a reprodukčný systém a viesť k rakovinovým zmenám. Konzumácia rastlín rastúcich na postihnutých pôdach a výrobkov z nich môže mať za následok vyššie uvedené zdravotné účinky. **Zariadenie nevyhadzujte do nádoby na komunálny odpad!**



Servis Ak si želáte zakúpiť náhradné diely alebo máte akékoľvek reklamácie, obráťte sa na obráťte sa priamo na predajcu, ktorý vydal doklad o kúpe.

Korisnički priručnik (BS)

SIGURNOSNI USLOVI VAŽNE SIGURNOSNE UPUTSTVA MOLIM VAS PROČITAJTE PAŽLJIVO I SAČUVITE ZA BUDUĆU UPOTREBU

Uvjeti garancije su drugačiji ako se uređaj koristi u komercijalne svrhe.

1. Prije upotrebe proizvoda, pažljivo pročítajte i uvijek slijedite donje upute. Proizvođač nije odgovoran za bilo kakvu štetu nastalu nepravilnim korištenjem.

2. Proizvod se smije koristiti samo u zatvorenom prostoru. Nemojte koristiti proizvod u svrhe koje nisu u skladu s njegovom namjenom.

3. Primjenjivi napon je 230V, ~50Hz. Iz sigurnosnih razloga nemojte uključivati više uređaja u jednu električnu utičnicu.

4. Budite oprezni kada koristite s djecom. Ne dozvolite djeci da se igraju s proizvodom. Ne dozvolite djeci ili osobama koje nisu upoznate s uređajem da ga koriste bez nadzora.

5. **UPOZORENJE:** Ovaj uređaj mogu koristiti djeca starija od 8 godina i osobe sa smanjenim fizičkim, senzornim ili mentalnim sposobnostima ili nedostatkom iskustva ili znanja o uređaju samo ako su pod nadzorom osobe odgovorne za njihovu sigurnost ili su upućeni u bezbednu upotrebu

uređaja i svjesni rizika povezanih s njegovim radom. Deca ne bi trebalo da se igraju sa uređajem. Čišćenje i održavanje uređaja ne smiju obavljati djeca osim ako nisu starija od 8 godina i te aktivnosti se obavljaju pod nadzorom.

6. Nakon upotrebe proizvoda, uvijek ne zaboravite pažljivo izvaditi utikač iz utičnice držeći utičnicu rukom. Nikada nemojte vući kabl za napajanje!!!

7. Nikada ne ostavljajte proizvod povezan na izvor napajanja bez nadzora. Čak i ako je upotreba prekinuta na kratko, isključite je i isključite napajanje.

8. Nikada ne stavljajte kabl za napajanje, utikač ili cijeli uređaj u vodu. Nikada ne izlažite proizvod atmosferskim uslovima kao što su direktna sunčeva svetlost, kiša itd. Nikada nemojte koristiti proizvod u vlažnim uslovima.

9. Povremeno proveravajte stanje kabla za napajanje. Ako je kabl za napajanje oštećen, proizvod treba odnijeti u profesionalni servisni centar na zamjenu kako biste izbjegli opasne situacije.

10. Nikada nemojte koristiti proizvod ako je kabl za napajanje oštećen, ako je pao ili na neki drugi način oštećen, ili ako ne radi ispravno. Ne pokušavajte sami da popravite neispravan proizvod jer to može dovesti do strujnog udara. Oštećeni uređaj uvijek treba odnijeti u profesionalni servisni centar na popravak. Sve popravke smiju obavljati samo ovlašteni serviseri. Nepravilno obavljene popravke mogu dovesti do opasnih situacija za korisnika.

11. Nikada ne postavljajte proizvod na ili blizu vrućih ili toplih površina ili kuhinjskih uređaja kao što su električna pećnica ili plinski plamenik.

12. Nikada nemojte koristiti proizvod u blizini zapaljivih materijala.

13. Ne dozvolite da kabl visi preko ivice radne površine.

14. Ako je uređaj prepun, kipuća voda može prskati.

15. Nikada nemojte usmjeravati parni čistač na sebe, druge ljude, životinje ili električne uređaje, npr.

16. Uređaj smijete koristiti samo s originalnim priborom.

17. Nemojte blokirati otvore na mašini niti umetati nikakve predmete u otvore.

18. Nemojte naginjati uređaj više od 45 stepeni. Uređaj je dizajniran za rad

u uspravnom položaju.

19. Pre nego što sipate vodu u uređaj, isključite ga iz napajanja.

20. U vodu koja se koristi u uređaju nemojte dodavati nikakve supstance: sredstva za uklanjanje kamenca, aromatična ulja, sredstva za čišćenje.

21. Proverite da li je poklopac rezervoara za vodu čvrsto pričvršćen na uređaj.



UPOZORENJE: TOPLA PARA Opasnost od opekotina

Opis uređaja:

1. Sigurnosni ventil
2. Rupa za punjenje
3. Cap lock
4. Izlaz pare
5. Indikatorska lampica
6. Brava za djecu
7. Otpuštanje pare
8. Utikač za napajanje

Pribor: A. Lijevak × 1 B. Mjerna čaša × 1 C. Set ručnika × 1 D. Ravna četka × 1 E. Velika mlaznica × 1 F. Produžno crijevo × 1 G. Najlonska četka × 1 H. Četka od nehrđajućeg čelika × 1 I. Četka za pod × 1 J. Konektor četke za pod × 1 K. Produžna cijev × 3 L. Ručnik za četkicu za pod × 1

NAPOMENA: – Prvo provjerite na neupadljivom mjestu da li je materijal koji namjeravate očistiti pogodan za čišćenje parom, npr.:

Para može uzrokovati blijedi lakirano drvo ili koža.

Nezaštićeno drvo može nabubriti.

Para može ukloniti zaštitne slojeve voska.

Plastika može promijeniti boju pod utjecajem pare.

Meka plastika se može deformirati kada je izložena pari.

Hladne staklene ili zrcalne površine mogu popucati pod uticajem vruće pare.

– Nikada nemojte puniti parni čistač drugim tečnostima osim vodom.

– Ni u kom slučaju ne stavljajte parni čistač ili pojedine dijelove u mašinu za pranje sudova. Bio bi uništen.

– Prestanite koristiti parni čistač ako njegovi plastični dijelovi pokazuju napukline, strugotine ili deformacije. Oštećene dijelove treba zamijeniti samo odgovarajućim originalnim rezervnim dijelovima.

– Nemojte koristiti parni čistač s praznim rezervoarom. Kada se rezervoar za vodu isprazni, izvucite mrežni utikač kako biste izbjegli pregrijavanje.

– Ako želite očistiti prozore, prvo ih morate zagrijati, npr. nanošenjem pare na veću površinu sa veće udaljenosti, a zatim s bliže udaljenosti.

– Nosite rukavice, zaštitne naočare i zaštitu za disanje kada pokušavate ukloniti tvari štetne po zdravlje.

Prije prve upotrebe:

Uklonite sav materijal za pakovanje i naljepnice s uređaja. Očistite uređaj čistom i vlažnom krpom. Otvorite uređaj okretanjem sigurnosne matice (1) u smjeru suprotnom od kazaljke na satu. Napunite vodom i izlijte vodu. Ovo će ukloniti sve fabričke ostatke i prljavštinu iz unutrašnjosti uređaja. Zatim nastavite sa normalnim radom.

Koristeći:

1. Postavite parni čistač na suhu i ravnu površinu i otvorite sigurnosni poklopac (1). Da biste to učinili, čvrsto pritisnite maticu prema dolje i okrenite je u smjeru suprotnom od kazaljke na satu.

2. Koristite mjernu posudu (B) i lijevak (A) da napunite uređaj vodom. Maksimalni kapacitet je 400 ml. Predlažemo punjenje do 350 ml za bolje performanse i veću proizvodnju pare. Ako u rezervoaru ima više od 350 ml, para može sadržavati malo vode tokom prve 2 minute upotrebe.

Posebne napomene:

Molimo koristite čistu vodu (male čvrste čestice mogu blokirati cijev ili uzrokovati kvar mašine)

Ako je voda iz slavine u vašem području tvrda ili vrlo tvrda, predlažemo korištenje mješavine vode iz slavine i destilovane vode. Nemojte sipati manje od 150 ml vode.

3. Zatvorite poklopac okretanjem u smjeru kazaljke na satu.

4. Utaknite mrežni utikač u električnu utičnicu. Crveno svjetlo će zasvijetliti da označi grijanje.

5. Kada se upali zeleno svjetlo, uređaj je spreman za rad. Imajte na umu da će se crveno svjetlo paliti i gasiti tokom rada. Molimo koristite samo kada je zeleno svjetlo uključeno. U suprotnom, uređaj će kapati i prskati vruću vodu.

6. Okrenite bravu za djecu (6) u položaj uključen. Zatim pritisnite okidač za paru (7). Steam će početi izlaziti iz uređaja. Ne zaboravite uvijek pritisnuti okidač za paru (7), kada otpustite okidač za paru (7) brava za djecu (6) će se vratiti u isključeni položaj.

Nakon završetka rada ili praznjenja rezervoara za vodu:

Nakon završetka radova:

1. Isključite uređaj iz mrežnog napajanja.

2. Pritisnite okidač za paru (7) i držite ga pritisnutim dok para ne prestane proizvoditi.

3. Sačekajte da se uređaj ohladi otprilike 12-20 minuta, u zavisnosti od količine pare koja je preostala unutra.

4. Polako odvrnite sigurnosnu maticu (1) i pričekajte nekoliko minuta da vlaga pobjegne iz uređaja.

Ako u rezervoaru više nema vode, uređaj će prestati proizvoditi paru. Vodu treba dopuniti. Da biste to učinili, slijedite dolje navedene korake:

Dopunjavanje rezervoara:

1. Isključite uređaj iz mrežnog napajanja.

2. Pritisnite okidač za paru (7) i držite ga pritisnutim dok para ne prestane proizvoditi.

3. Sačekajte da se uređaj ohladi otprilike 12-20 minuta, u zavisnosti od količine pare koja je preostala unutra.

4. Polako odvrnite sigurnosnu maticu (1) i sačekajte nekoliko sekundi da preostala para izađe.

5. Polako punite rezervoar vodom ili mešavinom vode iz slavine i destilovane vode. Pazite da ne sipate više od 400 ml. (preporučeno 350 ml)

6. Ponovo zatvorite sigurnosnu maticu (1).

PAŽNJA:

Parni čistač ima sistem zaštite od pregrijavanja. Automatski će se isključiti ako se pregrije. Imajte na umu da se uređaj može pokvariti ako se koristi previše puta s praznim rezervoarom. Uverite se da u rezervoaru uvek ima dovoljno vode tokom rada.

Opis i upotreba dodatne opreme:

D. Ravna četka

Umetnite veliku mlaznicu u otvor ravne četke (3C) i okrenite je u smjeru kazaljke na satu dok ne čujete klik (3C). Može čistiti ravne površine kao što su prozori itd. Nakon upotrebe uklonite ravnu četku okretanjem u smjeru suprotnom od kazaljke na satu.

Za čišćenje stolova i stolica, polica ili peglanja odjeće, nanesite bijeli ručnik na ravnu četku (3C).

E. Velika mlaznica

Velika mlaznica je korisna za čišćenje uglova.

Za pričvršćivanje, povežite široki kraj mlaznice na izlaz za paru dok sigurnosna kopča ne klikne na svoje mjesto. (3B)

F. Produžno crijevo

Ako je površina koju pokušavate očistiti teško dostupna, koristite produžno crijevo.

Da biste pričvrstili širi kraj crijeva na izlaz za paru, spojite ga tako da sigurnosna kopča škljocne na svoje mjesto.

G, H. Četka od najlona i nehrđajućeg čelika

Umetnite veliku mlaznicu (E) u izrez okrugle četke (3D) i okrenite je u smjeru kazaljke na satu dok ne čujete klik (3D). Nakon upotrebe, uklonite okruglu četku okretanjem u smjeru suprotnom od kazaljke na satu.

K. Produžna cijev x 3

Ako je područje za čišćenje teško dostupno ili se uređaj koristi za čišćenje podova ili stakla na visokim mjestima, može se koristiti s produžnom cijevi. Način rada je sljedeći: spojite vrh produžetka na izlaz za paru dok se fiksna brava potpuno ne uklopi u otvor nastavka (kao kod velike 3B mlaznice) i zaključa se na svoje mjesto uz zvuk škljocanja, sklop je kompletan. Imajte na umu da će korištenje produžne cijevi sniziti temperaturu pare. U zavisnosti od temperature cijevi, para koja izlazi iz mlaznice može varirati.

I. Četka za pod

Za čišćenje poda koristite četku za pod.

Povežite dva ili tri produžna kabla (K) na uređaj. Drugi kraj produžne cijevi treba pričvrstiti na četku za pod. Na bočnim stranama četke pritisnite gumb da otvorite montažne stezaljke, umetnite podni ručnik (L) u otvorene stezaljke. Nakon upotrebe, uklonite ručnik i osušite/operite prije sljedeće upotrebe.

čišćenje:

1. Prije čišćenja, izvucite mrežni utikač iz utičnice.
2. Ostavite parni čistač da se ohladi prije skladištenja.
3. Obrišite parni čistač i pribor vlažnom krpom. Pustite da se svi dijelovi potpuno osuše.

Skladištenje:

Svi dijelovi moraju biti potpuno suhi prije skladištenja.

- Vaš parni čistač uvijek čuvajte na suhom, čistom mjestu bez prašine.
- Čuvajte parni čistač zaključanog i postavite ga tako da uređaj bude van domašaja djece.

Rješavanje problema

problem:

Iz mlaznice ne izlazi para

Uzrok: Utikač nije umetnut u strujnu utičnicu

Rješenje: Uključite uređaj u utičnicu

Uzrok: Nema vode u rezervoaru.

Rešenje: Sipajte vodu u rezervoar.

Uzrok: Dugme za paru nije pritisnuto.

Rešenje: Otpustite bravu za decu i pritisnite dugme za paru.

problem:

Upaljeno je samo zeleno svjetlo. Crveno svjetlo se ne pali.

Uzrok: Svetlo je pregorelo.

Rješenje: Konsultujte Centralnu službu.

problem:

Crveno svjetlo je uvijek uključeno, zeleno svjetlo se ne pali.

Uzrok: Slomljeni unutrašnji električni dijelovi ili pokvareni termostat.

Rješenje: Konsultujte Centralnu službu.

problem:

Trepereće crveno svjetlo.

Uzrok: Nema vode ili je slaba mrežna veza.

Rješenje: Provjerite je li uređaj pravilno povezan i u potpunosti priključen na električnu mrežu. Dodajte vodu. Ako se treperenje i dalje javlja, obratite se centralnoj službi.

problem:

Voda koja teče iz mlaznice.

Uzrok: Nije korišten duže vrijeme i para u mlaznici/priboru se kondenzira.

Rešenje: Normalna pojava. Pritisnite dugme za ispuštanje pare na 2 sekunde.

Ako uređaj i dalje ispušta vodu iz mlaznice, u uređaju ima previše vode.

Ako mirna voda teče iz mlaznice nakon duže upotrebe, obratite se centralnom servisu.

Ostali problemi:

Para izlazi iz uređaja s drugih mjesta osim mlaznice za paru.

Plastična deformacija ili omekšavanje plastike.

Nakon pražnjenja uređaja ili ispuštanja pare, sigurnosni poklopac (1) se i dalje ne može otvoriti.

Rješenje: Obratite se centralnom servisu.

Tehnički podaci:

Napon: 220-240V~ 50/60 Hz

Kapacitet: 400 ml

Snaga: 1200W

Maksimalna snaga: 2000 W



Zbog zaštite životne sredine. Kartonsku ambalažu i polietilenske (PE) kese baciti u odgovarajuće kontejnere za selektivno sakupljanje komunalnog otpada u skladu sa njihovim opisom. Ako se u uređaju nalaze baterije, potrebno ih je izvaditi i odnijeti na odvojeno mjesto za prikupljanje i skladištenje. Korišteni uređaj treba vratiti na odgovarajuće mjesto za sakupljanje i skladištenje, jer opasne tvari koje sadrži mogu predstavljati prijetnju zdravlju i okolišu. Oznaka na proizvodu ukazuje da se uređaj ne sme odlagati sa komunalnim otpadom. Otpadna električna oprema je otpad koji sadrži tvari štetne za ljude, životinje i okoliš. Ove tvari mogu dovesti do zagađenja tla, vode ili zraka, te mogu ući u ljudski organizam i dovesti do brojnih zdravstvenih tegoba, kao što su: poremećaji vida, sluha i govora, a mogu dovesti i do oštećenja bubrega, jetre i srca, i izazivaju kožne bolesti. Štetne tvari također mogu negativno utjecati na respiratorni i reproduktivni sistem i dovesti do raka. Potrošnja biljaka koje rastu na prituženim tlima i proizvoda dobijenih od njih može predstavljati rizik od gore navedenih zdravstvenih efekata. **Ne bacajte uređaj u kontejnere za komunalni otpad!**



Servis Ako želite kupiti rezervne dijelove ili prijaviti reklamaciju, kontaktirajte direktno prodavca koji je izdao račun.

Упатство за употреба (МК)

БЕЗБЕДНОСНИ УСЛОВИ ВАЖНИ БЕЗБЕДНОСНИ ИНСТРУКЦИИ ВЕ МОЛИМЕ ПРОЧИТАЈТЕ ВНИМАТЕЛНО И ЧУВАЈТЕ ЗА ИДНА УПОТРЕБА

Гарантните услови се различни ако уредот се користи за комерцијални цели.

1. Пред да го користите производот, прочитајте внимателно и секогаш следете ги упатствата подолу. Производителот не е одговорен за каква било штета што произлегува од неправилна употреба.
2. Производот може да се користи само во затворени простории. Не користете го производот за цели што не се компатибилни со неговата намена.
3. Применливиот напон е 230V, ~50Hz. Од безбедносни причини, не приклучувајте повеќе уреди во еден штекер.
4. Бидете внимателни кога користите со деца. Не дозволувајте децата да си играат со производот. Не дозволувајте деца или луѓе кои не се запознаени со уредот да го користат без надзор.
5. ПРЕДУПРЕДУВАЊЕ: Овој апарат може да го користат деца постари од 8 години и лица со намалени физички, сетилни или ментални способности или недостаток на искуство или знаење за апаратот само ако се надгледувани од лице одговорно за нивната безбедност или биле имаат инструкции за безбедно користење на апаратот и се свесни за ризиците поврзани со неговото работење. Децата не треба да си играат со уредот. Чистењето и одржувањето на

уредот не треба да го вршат деца освен ако се постари од 8 години и овие активности се вршат под надзор.

6. Откако ќе го користите производот, секогаш не заборавајте да го извадите нежно приклучокот од штекерот држејќи го штекерот со раката. Никогаш не влечете го кабелот за напојување!!!

7. Никогаш не оставајте го производот поврзан со извор на струја без надзор. Дури и ако употребата е прекината за кратко време, исклучете го и исклучете го напојувањето.

8. Никогаш не ставајте го кабелот за напојување, приклучокот или целиот апарат во вода. Никогаш не го изложувајте производот на атмосферски услови како што се директна сончева светлина, дожд, итн. Никогаш не користете го производот во влажни услови.

9. Периодично проверувајте ја состојбата на кабелот за напојување. Ако кабелот за напојување е оштетен, производот треба да се однесе во професионален сервисен центар за замена за да се избегнат опасни ситуации.

10. Никогаш не користете го производот ако кабелот за напојување е оштетен или ако е паднат или на друг начин оштетен или ако не работи правилно. Не обидувајте се сами да поправите неисправен производ бидејќи тоа може да резултира со електричен удар. Оштетениот уред секогаш треба да се носи во професионален сервисен центар за поправка. Сите поправки смеат да ги вршат само овластени сервисери. Неправилно извршените поправки може да резултираат во опасни ситуации за корисникот.

11. Никогаш не ставајте го производот на или во близина на топли или топли површини или кујнски апарати како што се електрична печка или горилник на гас.

12. Никогаш не користете го производот во близина на запаливи материјали.

13. Не дозволувајте кабелот да виси над работ на масата.

14. Ако апаратот е преполнет, може да се испрска зовриена вода.

15. Никогаш не насочувајте ја чистачката на пареа кон себе, други луѓе, животни или електрични апарати, на пр.

16. Уредот можете да го користите само со оригинални додатоци.
17. Не блокирајте ги отворите на машината и не ставајте предмети во отворите.
18. Не навалувајте го уредот повеќе од 45 степени. Уредот е дизајниран да работи во исправена положба.
19. Пред да истурите вода во уредот, исклучете го од напојувањето.
20. Не додавајте никакви материи во водата што се користи во уредот: средства за бигор, ароматични масла, средства за чистење.
21. Проверете дали капакот на резервоарот за вода е цврсто навртен на уредот.



ПРЕДУПРЕДУВАЊЕ: ТОПЛА ПАРЕА Опасност од изгореници

Опис на уредот:

1. Безбедносен петел
2. Дупка за полнење
3. Заклучување со капа
4. Излез за пареа
5. Индикаторско светло
6. Брава за деца
7. Ослободување на пареа
8. Приклучок за напојување

Додатоци: А. Инка × 1 Б. Мерна чаша × 1 С. Комплет крпи × 1 Д. Рамна четка × 1 Д. Голема млазница × 1 Ф. Продолжно црево × 1 Г. Најлонска четка × 1 Н. Четка од нерѓосувачки челик × 1 И. Четка за под × 1 Ј. Приклучок за четка за под × 1 К. Продолжна цевка × 3 Л. Пешкир за четка за под × 1

ЗАБЕЛЕШКА: – Прво, проверете на незабележливо место дали материјалот што сакате да го исчистите е погоден за чистење со пареа, на пр.:

Пареата може да предизвика избледување на лакираното дрво или кожа.

Незаштитеното дрво може да отече.

Пареата може да ги отстрани заштитните слоеви на восокот.

Пластиката може да се обезбојува под влијание на пареа.

Меката пластика може да се деформира кога е изложена на пареа.

Ладните стаклени површини или површините на огледалото може да напукнат под влијание на топла пареа.

- Никогаш не ја пополнувајте чистачката на пареа со други течности освен вода.
- Во никој случај не ставајте го чистачот на пареа или одделни делови во машината за миеење садови. Би било уништено.
- Престанете со користење на чистачот на пареа ако неговите пластични делови покажуваат пукнатини, чипс или деформација. Оштетените делови треба да се заменат само со соодветни оригинални резервни делови.
- Не користете го чистачот на пареа со празен резервоар. Кога ќе се испразни резервоарот за вода, извлечете го штекерот за да избегнете прегревање.
- Доколку сакате да ги исчистите прозорците, мора прво да ги загреете, на пр.
- Носете ракавици, заштитни очила и респираторна заштита кога се обидувате да отстраните материји штетни за здравјето.

Пред првата употреба:

Отстранете ги сите материјали за пакување и налепници од уредот. Исклучете го уредот со чиста и влажна крпа. Отворете го уредот со вртење на заклучната навртка (1) спротивно од стрелките на часовникот. Наполнете со вода и истурете ја водата. Ова ќе ги отстрани сите фабрички остатоци и нечистотија од внатрешноста на уредот. Потоа продолжете да

работите нормално.

Користење на:

1. Ставете го чистачот на пареа на сува и рамна површина и отворете го безбедносното капаче (1). За да го направите ова, цврсто притиснете ја навртката надолу и свртете ја спротивно од стрелките на часовникот.
2. Користете ја мерната чаша (B) и инката (A) за да го наполните уредот со вода. Максималниот капацитет е 400 ml. Предлагаме полнење до 350 ml за подобри перформанси и поголемо производство на пареа. Ако има повеќе од 350 ml во резервоарот, пареата може да содржи малку вода за првите 2 минути од употребата.

Посебни забелешки:

Ве молиме користете чиста вода (малите цврсти честички може да ја блокираат цевката или да предизвикаат дефект на машината)

Ако водата од чешма во вашата област е тврда или многу тврда, предлагаме да користите мешавина од вода од чешма и дестилирана вода.

Ве молиме не истурајте помалку од 150 ml вода.

3. Затворете го капачето вртејќи го во насока на стрелките на часовникот.

4. Вметнете го приклучокот за струја во штекерот. Црвеното светло ќе светне за да укаже на греење.

5. Кога зеленото светло ќе се вклучи, уредот е подготвен за работа. Имајте предвид дека црвеното светло ќе се вклучува и исклучува за време на работата. Ве молиме користете го само кога зеленото светло е вклучено. Во спротивно, апаратот ќе капе и ќе испрска топла вода.

6. Свртете ја детската брава (6) во положбата вклучено. Потоа притиснете го чкрапалото за пареа (7). Пареата ќе почне да излегува од уредот. Не заборавате секогаш да го притискате чкрапалото за пареа (7), кога ќе го ослободите чкрапалото за пареа (7), бравата за деца (6) ќе се врати во положбата исклучена.

По завршувањето на работата или празнењето на резервоарот за вода:

По завршувањето на работата:

1. Исклучете го уредот од напојувањето.
2. Притиснете го чкрапалото за пареа (7) и држете го притиснато додека не престане да се произведува пареа.
3. Почекајте уредот да се олади приближно 12-20 минути, во зависност од количината на пареа што останува внатре.
4. Полека одвртете ја заклучната навртка (1) и почекајте неколку минути влагата да излезе од уредот. Ако нема повеќе вода во резервоарот, уредот ќе престане да произведува пареа. Водата треба да се надополни. За да го направите ова, следете ги чекорите подолу:

Пополнување на резервоарот:

1. Исклучете го уредот од напојувањето.
2. Притиснете го чкрапалото за пареа (7) и држете го притиснато додека не престане да се произведува пареа.
3. Почекајте уредот да се олади приближно 12-20 минути, во зависност од количината на пареа што останува внатре.
4. Полека одвртете ја заклучната навртка (1) и почекајте неколку секунди за да излезе преостанатата пареа.
5. Полека наполнете го резервоарот со вода или мешавина од вода од чешма и дестилирана вода. Погрижете се да не налеее повеќе од 400 ml. (се препорачува 350 ml)
6. Повторно затворете ја заклучната навртка (1).

ВНИМАНИЕ:

Чистачот на пареа има систем за заштита од прегревање. Ќе се исклучи автоматски ако се прегрее. Ве молиме имајте предвид дека уредот може да се скрши ако се користи премногу пати со празен резервоар. Проверете дали има доволно вода во резервоарот во секое време за време на работата.

Опис и употреба на додатоци:

D. Рамна четка

Вметнете ја големата млазница во отворот на рамната четка (3C) и свртете ја во насока на стрелките на часовникот додека не слушнете кликување (3C). Може да чисти рамни површини како што се прозорци и сп. По употребата, отстранете ја рамната четка вртејќи ја спротивно од стрелките на часовникот.

За чистење на бироа и столици, полици или пегла облека, нанесете бела крпа на рамна четка (3C).

E. Голема млазница

Големата млазница е корисна при чистење на аглите.

За прицврстување, повзете го широкиот крај на млазницата со излезот за пареа додека безбедносната штипка не кликне на своето место. (3B)

F. Продолжено црево

Ако површината што се обидува да ја исчистите е тешко достапна, користете продолжено црево.

За да го прикачите поширокиот крај на цревето на излезот за пареа, поврзете го така што безбедносната спојка ќе се прицврсти на своето место.

G, H. Четка од најлон и нерѓосувачки челик

Вметнете ја големата млазница (E) во исечокот на тркалезната четка (3D) и свртете ја во насока на стрелките на часовникот додека не слушнете кликување (3D). По употреба, отстранете ја тркалезната четка вртејќи ја спротивно од стрелките на часовникот.

K. Продолжна цевка x 3

Ако е тешко достапно до местото за чистење или ако уредот се користи за чистење на подови или стакло на високи места, може да се користи со продолжена цевка. Начинот на работа е како што следува: поврзете го врвот на продолжетокот со излезот на пареа додека фиксната брава не се заглави целосно во отворот на продолжетокот (како со големата млазница 3B) и не се заклучи на своето место со звук на кликање, склопот е комплетен. Ве молиме имајте предвид дека користењето на продолжена цевка ќе ја намали температурата на пареата. Во зависност од температурата на цевката, пареата што излегува од млазницата може да варира.

I. Четка за под

Користете четка за под за да го исчистите подот.

Поврзете два или три продолжни кабли (K) на уредот. Прицврстете го другиот крај на продолжните цевки на четката за подот. На страните на четката, притиснете ги копчињата за да ги отворите стегите за монтирање, вметнете ја подната крпа (L) во отворените стеге. По употреба, отстранете ја крпата и исушете/измијте ја пред следната употреба.

Чистење:

1. Пред чистење, исклучете го штекерот од штекерот.
2. Оставете го чистачот на пареа да се излади пред да го складираете.
3. Избришете го чистачот на пареа и додатоците со влажна крпа. Оставете ги сите делови целосно да се исушат.

Складирање:

Сите делови мора да бидат целосно суви пред складирањето.

- Секогаш чувајте го вашиот чистач на пареа на суво, чисто и место без прашина.

- Чувајте ја чистачката на пареа заклучена и поставете ја така што уредот да биде подалеку од дофат на деца.

Решавање проблеми

Проблем:

Од млазницата не излегува пареа

Причина: Приклучокот не е вметнат во штекерот

Решение: Приклучете го уредот во штекер

Причина: Нема вода во резервоарот.

Решение: Истурете вода во резервоарот.

Причина: Копчето за пареа не е притиснато.

Решение: отпуштете ја бравата за деца и притиснете го копчето за пареа.

Проблем:

Само зеленото светло е вклучено. Црвеното светло не се вклучува.

Причина: Светлината изгоре.

Решение: Консултирајте се со централната служба.

Проблем:

Црвеното светло е секогаш вклучено, зеленото светло не се вклучува.

Причина: Скршени внатрешни електрични делови или скршен термостат.

Решение: Консултирајте се со централната служба.

Проблем:

Треперење црвено светло.

Причина: Нема вода или слаба мрежна врска.

Решение: Проверете дали уредот е правилно поврзан и целосно поврзан на електричната мрежа. Додадете вода. Ако треперењето сè уште се појавува, контактирајте со Централниот сервис.

Проблем:

Вода што тече од млазницата.

Причина: Не се користи долго време и се кондензира пареата во млазницата/додатоци.
Решение: Нормален феномен. Притиснете го копчето за ослободување на пареа 2 секунди.
Ако уредот сè уште плука вода од млазницата, има премногу вода во уредот.
Ако мирна вода тече од млазницата по долготрајна употреба, ве молиме контактирајте со централниот сервис.

Други проблеми:

Пареа излегува од апаратот од други места освен млазницата за пареа.

Пластична деформација или омекнување на пластика.

Откако ќе го испразните апаратот или ќе испуштите пареа, сигурносното капаче (1) сè уште не може да се отвори.

Решение: Контактирајте ја централната служба.

Технички податоци:

Напон: 220-240V ~ 50/60 Hz

Капацитет: 400 ml

Моќност: 1200 W

Максимална моќност: 2000 W



За доброто на животната средина. Картонската амбалажа и полиетиленските (PE) кеси треба да се фрлаат во соодветни контејнери наменети за селективно собирање на комуналниот отпад во согласност со нивниот опис. Ако има батерии во уредот, тие треба да се отстранат и да се отстранат одделно во место за собирање и складирање. Употребениот уред треба да се врати во соодветно место за собирање и складирање, бидејќи опасните материји што ги содржи може да претставуваат закана за здравјето и животната средина. Ознаката на производот покажува дека уредот не треба да се фрла со комуналниот отпад. Отпадната електрична опрема е отпад кој содржи супстанции штетни за луѓето, животните и животната средина. Овие супстанции може да доведат до загадување на почвата, водата или воздухот, а со тоа може да навлезат во човечкото тело и да доведат до бројни здравствени заболувања, како што се: нарушувања на видот, слухот и говорот, а може да доведат и до оштетување на бубрезите, црниот дроб и срцето, и предизвикуваат кожни болести. Штетните материји, исто така, може да имаат негативен ефект врз респираторниот и репродуктивниот систем и да доведат до рак. Потрошувачката на растенија кои растат на обжалените почви и производи добени од нив може да претставува ризик од горенаведените здравствени ефекти. **Не фрлајте го уредот во контејнери за комунален отпад!!**
Сервис Ако сакате да купите резервни делови или да пријавите какви било поплаки, контактирајте директно со продавачот кој ја издал сметката.



Korisnički priručnik (HR)

SIGURNOSNI UVJETI VAŽNE SIGURNOSNE UPUTE PAŽLJIVO PROČITAJTE I SAČUVAJTE ZA BUDUĆU UPOTREBU

Uvjeti jamstva su drugačiji ako se uređaj koristi u komercijalne svrhe.

1. Prije uporabe proizvoda pažljivo pročitajte i uvijek slijedite upute u nastavku. Proizvođač nije odgovoran za bilo kakvu štetu nastalu nepravilnom uporabom.
2. Proizvod se smije koristiti samo u zatvorenom prostoru. Nemojte koristiti proizvod u svrhe koje nisu kompatibilne s njegovom namjenom.
3. Primjenjivi napon je 230V, ~50Hz. Iz sigurnosnih razloga nemojte uključivati više uređaja u jednu električnu utičnicu.
4. Budite oprezni kada koristite s djecom. Ne dopustite djeci da se igraju proizvodom. Ne dopustite djeci ili osobama koje nisu upoznate s uređajem da ga koriste bez nadzora.

5. UPOZORENJE: Ovaj uređaj smiju koristiti djeca starija od 8 godina i osobe sa smanjenim fizičkim, osjetilnim ili mentalnim sposobnostima ili bez iskustva ili znanja o uređaju samo ako su pod nadzorom osobe odgovorne za njihovu sigurnost ili su upućeni u sigurnu uporabu uređaja i svjesni rizika povezanih s njegovim radom. Djeca se ne smiju igrati s uređajem. Čišćenje i održavanje uređaja ne smiju obavljati djeca osim ako su starija od 8 godina i te se aktivnosti obavljaju pod nadzorom.
6. Nakon korištenja proizvoda, uvijek nježno izvadite utikač iz utičnice držeći utičnicu rukom. Nikada nemojte povlačiti kabel za napajanje!!!
7. Nikada ne ostavljajte proizvod spojen na izvor napajanja bez nadzora. Čak i ako se uporaba prekine na kratko vrijeme, isključite ga i odspojite napajanje.
8. Nikada ne stavljajte kabel za napajanje, utikač ili cijeli uređaj u vodu. Nikada nemojte izlagati proizvod atmosferskim uvjetima kao što su izravna sunčeva svjetlost, kiša itd. Nikada nemojte koristiti proizvod u vlažnim uvjetima.
9. Povremeno provjeravajte stanje kabela za napajanje. Ako je kabel za napajanje oštećen, proizvod treba odnijeti u profesionalni servisni centar na zamjenu kako bi se izbjegle opasne situacije.
10. Nikada nemojte koristiti proizvod ako je kabel za napajanje oštećen, ako je pao ili je na neki drugi način oštećen ili ako ne radi ispravno. Ne pokušavajte sami popraviti neispravan proizvod jer to može dovesti do strujnog udara. Oštećeni uređaj uvijek treba odnijeti u profesionalni servisni centar na popravak. Sve popravke smiju obavljati samo ovlaštene serviseri. Nepropisno izvedeni popravci mogu dovesti do opasnih situacija za korisnika.
11. Nikada ne stavljajte proizvod na ili blizu vrućih ili toplih površina ili kuhinjskih uređaja kao što su električna pećnica ili plinski plamenik.
12. Nikada ne koristite proizvod u blizini zapaljivih materijala.
13. Ne dopustite da kabel visi preko ruba radne površine.
14. Ako je uređaj prepunjen, kipuća voda može prskati.
15. Nikada ne usmjeravajte parni čistač prema sebi, drugim ljudima, životinjama ili električnim uređajima, npr. pećnicama.

16. Uređaj smijete koristiti samo s originalnim dodacima.
17. Nemojte blokirati otvore na uređaju niti umetati bilo kakve predmete u otvore.
18. Nemojte naginjati uređaj više od 45 stupnjeva. Uređaj je dizajniran za rad u uspravnom položaju.
19. Prije ulijevanja vode u uređaj isključite ga iz struje.
20. Nemojte dodavati nikakve tvari u vodu koja se koristi u uređaju: sredstva za uklanjanje kamenca, aromatična ulja, sredstva za čišćenje.
21. Provjerite je li poklopac spremnika za vodu čvrsto pričvršćen na uređaj.



UPOZORENJE: VRUĆA PARA Opasnost od opekline

Opis uređaja:

1. Sigurnosni pijetao
2. Otvor za punjenje
3. Zatvarač poklopca
4. Otvor za paru
5. Svjetlo indikatora
6. Zaštita od djece
7. Ispuštanje pare
8. Utikač za napajanje

Pribor: A. Lijevak × 1 B. Mjerna posuda × 1 C. Set ručnika × 1 D. Ravna četka × 1 E. Velika mlaznica × 1 F. Produžno crijevo × 1 G. Najlonska četka × 1 H. Četka od nehrđajućeg čelika × 1 I. Četka za pod × 1 J. Priključak za četku za pod × 1 K. Produžna cijev × 3 L. Ručnik za četku za pod × 1

NAPOMENA: – Najprije na neupadljivom mjestu provjerite je li materijal koji namjeravate čistiti prikladan za čišćenje parom, npr. Para može uzrokovati blijedenje lakiranog drva ili kože.

Nezaštićeno drvo može nabubriti.

Para može ukloniti zaštitne slojeve voska.

Plastika može promijeniti boju pod utjecajem pare.

Meka plastika može se deformirati kada je izložena pari.

Hladne staklene ili zrcalne površine mogu popucati pod utjecajem vruće pare.

– Nikada ne punite pami čistač tekućinama osim vodom.

– Ni u kojem slučaju ne stavljajte pami čistač ili njegove pojedinačne dijelove u perlicu posuda. Bio bi uništen.

– Prestanite koristiti pami čistač ako na njegovim plastičnim dijelovima postoje pukotine, krhotine ili deformacije. Oštećene dijelove treba zamijeniti samo odgovarajućim originalnim rezervnim dijelovima.

– Ne koristite pami čistač s praznim spremnikom. Kada se spremnik za vodu isprazni, izvucite mrežni utikač kako biste izbjegli pregrijavanje.

– Ako želite očistiti prozore, prvo ih morate zagrijati, npr. parom na veću površinu, a zatim iz bliže.

– Nosite rukavice, zaštitne naočale i zaštitu za disanje kada pokušavate ukloniti tvari štetne po zdravlje.

Prije prve uporabe:

Uklonite sav materijal za pakiranje i naljepnice s uređaja. Očistite uređaj čistom i vlažnom krpom. Otvorite uređaj okretanjem protumatice (1) u smjeru suprotnom od kazaljke na satu. Napunite vodom i izlijte vodu. Ovo će ukloniti sve tvorničke ostatke i prljavštinu iz unutrašnjosti jedinice. Zatim nastavite normalno raditi.

pomoću:

1. Postavite pami čistač na suhu i ravnu površinu i otvorite sigurnosni čep (1). Da biste to učinili, čvrsto pritisnite maticu i okrenite je suprotno od kazaljke na satu.

2. Pomoću mjerne posude (B) i lijevka (A) napunite uređaj vodom. Maksimalni kapacitet je 400 ml. Predlažemo punjenje do 350 ml za bolju izvedbu i veću proizvodnju pare. Ako u spremniku ima više od 350 ml, para može sadržavati nešto vode prve 2 minute uporabe.

Posebne napomene:

Koristite čistu vodu (male čvrste čestice mogu začepiti cijev ili uzrokovati kvar stroja)

Ako je voda iz slavine u vašem području tvrda ili vrlo tvrda, predlažemo korištenje mješavine vode iz slavine i destilirane vode.

Nemojte sipati manje od 150 ml vode.

3. Zatvorite čep okretanjem u smjeru kazaljke na satu.

4. Utaknite utikač u električnu utičnicu. Crveno svjetlo će zasvijetliti kao znak grijanja.

5. Kada se upali zeleno svjetlo, uređaj je spreman za rad. Imajte na umu da će se crveno svjetlo paliti i gasiti tijekom rada. Koristite samo kada je upaljeno zeleno svjetlo. U suprotnom, uređaj će kapati i prskati vruću vodu.

6. Okrenite bravu za djecu (6) u položaj uključeno. Zatim pritisnite okidač za paru (7). Para će početi izlaziti iz uređaja. Ne zaboravite uvijek pritisnuti okidač za paru (7), kada otpustite okidač za paru (7) blokada za djecu (6) vratit će se u isključen položaj.

Nakon završetka rada ili praznjenja spremnika za vodu:

Nakon završetka rada:

1. Isključite uređaj iz mrežnog napajanja.

2. Pritisnite okidač za paru (7) i držite ga pritisnutim dok se para ne prestane proizvoditi.

3. Pričekajte da se uređaj ohladi otprilike 12-20 minuta, ovisno o količini pare koja je ostala unutra.

4. Polako odvrnite protumaticu (1) i pričekajte nekoliko minuta da vlaga izađe iz uređaja.

Ako u spremniku više nema vode, uređaj će prestati proizvoditi paru. Potrebno je nadoknaditi vodu. Da biste to učinili, slijedite korake u nastavku:

Ponovno punjenje spremnika:

1. Isključite uređaj iz mrežnog napajanja.

2. Pritisnite okidač za paru (7) i držite ga pritisnutim dok se para ne prestane proizvoditi.

3. Pričekajte da se uređaj ohladi otprilike 12-20 minuta, ovisno o količini pare koja je ostala unutra.

4. Polako odvrnite sigurnosnu maticu (1) i pričekajte nekoliko sekundi da preostala para izađe.

5. Polako napunite spremnik vodom ili mješavinom vode iz slavine i destilirane vode. Pazite da ne ulijete više od 400 ml.

(preporučeno 350 ml)

6. Ponovno zatvorite protumaticu (1).

PAŽNJA:

Pami čistač ima sustav zaštite od pregrijavanja. Automatski će se isključiti ako se pregrije. Imajte na umu da se uređaj može pokvariti ako se koristi previše puta s praznim spremnikom. Provjerite ima li dovoljno vode u spremniku cijelo vrijeme tijekom rada.

Opis i upotreba pribora:

D. Plosnati kist

Umetnite veliku mlaznicu u utor ravne četke (3C) i okrenite je u smjeru kazaljke na satu dok ne čujete klik (3C). Može čistiti ravne površine kao što su prozori itd. Nakon upotrebe uklonite ravnu četku okretanjem u smjeru suprotnom od kazaljke na satu.

Za čišćenje stolova i stolica, polica ili glačanja odjeće, nanesite bijeli ručnik na ravnu četku (3C).

E. Velika mlaznica

Velika mlaznica korisna je pri čišćenju uglova.

Za pričvršćivanje spojite široki kraj mlaznice s otvorom za paru dok sigurnosna kopča ne sjedne na mjesto. (3B)

F. Produžno crijevo

Ako je površina koju pokušavate očistiti teško dostupna, upotrijebite produžno crijevo.

Za pričvršćivanje šireg kraja crijeva na otvor za paru, spojite ga tako da sigurnosna kopča sjedne na mjesto.

G, H. Četka od najlona i nehrđajućeg čelika

Umetnite veliku mlaznicu (E) u izrez okrugle četke (3D) i okrećite je u smjeru kazaljke na satu dok ne čujete klik (3D). Nakon upotrebe uklonite okruglu četku okretanjem u smjeru suprotnom od kazaljke na satu.

K. Produžna cijev x 3

Ako je područje za čišćenje teško dostupno ili se uređaj koristi za čišćenje podova ili stakla na visokim mjestima, može se koristiti s produžnom cijevi. Metoda rada je sljedeća: spojite vrh nastavka s izlazom za paru sve dok fiksna brava potpuno ne uskoči u otvor nastavka (kao kod velike mlaznice 3B) i ne uskoči na mjesto uz zvuk klika, sklop je potpuna. Imajte na umu da će korištenje produžne cijevi sniziti temperaturu pare. Ovisno o temperaturi cijevi, para koja izlazi iz mlaznice može varirati.

I. Četka za pod

Za čišćenje poda koristite četku za pod.

Spojite dva ili tri produžna kabela (K) na uređaj. Drugi kraj produžnih cijevi treba pričvrstiti na četku za pod. Na bočnim stranama

Četke pritisnite tipke za otvaranje stezaljki za pričvršćivanje, umetnite ručnik za pod (L) u otvorene stezaljke. Nakon uporabe uklonite ručnik i osušite/operite prije sljedeće uporabe.

Čišćenje:

1. Prije čišćenja isključite mrežni utikač iz utičnice.
2. Ostavite parni čistač da se ohladi prije spremanja.
3. Obrišite parni čistač i pribor vlažnom krpom. Neka se svi dijelovi potpuno osuše.

Skladištenje:

Svi dijelovi moraju biti potpuno suhi prije skladištenja.

- Parni čistač uvijek čuvajte na suhom, čistom mjestu bez prašine.
- Čuvajte parni čistač zaključan i postavite ga tako da je uređaj izvan dohvata djece.

Rješavanje problema

Problem:

Iz mlaznice ne izlazi para

Uzrok: Utikač nije umetnut u utičnicu

Rješenje: Uključite uređaj u utičnicu

Uzrok: Nema vode u spremniku.

Rješenje: Ulijte vodu u spremnik.

Uzrok: Tipka za paru nije pritisnuta.

Rješenje: otpustite blokadu za djecu i pritisnite gumb za paru.

Problem:

Upaljeno je samo zeleno svjetlo. Crveno svjetlo se ne pali.

Uzrok: Svjetlo je pregorjelo.

Rješenje: obratite se središnjoj službi.

Problem:

Crveno svjetlo uvijek svijetli, zeleno se ne pali.

Uzrok: Polomljeni unutarnji električni dijelovi ili pokvaren termostat.

Rješenje: obratite se središnjoj službi.

Problem:

Trepereće crveno svjetlo.

Uzrok: Nema vode ili loša mrežna veza.

Rješenje: Provjerite je li uređaj pravilno spojen i potpuno priključen na mrežno napajanje. Dodajte vode. Ako se treperenje i dalje javlja, obratite se središnjoj službi.

Problem:

Voda teče iz mlaznice.

Uzrok: Dugo se nije koristio i para se kondenzira u mlaznici/priboru.

Rješenje: Normalna pojava. Pritisnite tipku za ispuštanje pare 2 sekunde.

Ako uređaj i dalje ispušta vodu iz mlaznice, u uređaju ima previše vode.

Ako nakon dulje uporabe iz mlaznice teče još voda, obratite se središnjem servisu.

Ostali problemi:

Para izlazi iz uređaja s drugih mjesta osim iz mlaznice za paru.

Plastična deformacija ili omekšavanje plastike.

Nakon pražnjenja uređaja ili ispuštanja pare, sigurnosni poklopac (1) se još uvijek ne može otvoriti.

Rješenje: Kontaktirajte središnji servis.

Tehnički podaci:

Napon: 220-240V~ 50/60 Hz

Kapacitet: 400 ml

Snaga: 1200W

Maksimalna snaga: 2000 W



Za dobrobit okoliša. Kartonsku ambalažu i polietilenske (PE) vrećice odlagati u odgovarajuće spremnike namijenjene selektivnom prikupljanju komunalnog otpada prema njihovom opisu. Ako u uređaju ima baterija, potrebno ih je izvaditi i odvojeno odnijeti na mjesto za prikupljanje i skladištenje. Iskorišteni uređaj treba vratiti na odgovarajuće mjesto za prikupljanje i skladištenje jer opasne tvari koje sadrži mogu predstavljati prijetnju zdravlju i okolišu. Oznaka na proizvodu označava da se uređaj ne smije odlagati s komunalnim otpadom. Otpadna električna oprema je otpad koji sadrži tvari štetne za ljude, životinje i okoliš. Ove tvari mogu dovesti do onečišćenja tla, vode ili zraka te tako dospjeti u ljudski organizam i dovesti do brojnih zdravstvenih tegoba kao što su: poremećaji vida, sluha i govora, a mogu dovesti i do oštećenja bubrega, jetre i srca, i uzrokuju kožne bolesti. Štetne tvari također mogu imati negativan učinak na dišni i reproduktivni sustav te dovesti do raka. Konzumacija biljaka koje rastu na zaraženom tlu i proizvoda dobivenih od njih može predstavljati rizik od gore navedenih zdravstvenih učinaka. **Ne bacajte uređaj u kontejnere za komunalni otpad!!**



Servis Ako želite kupiti rezervne dijelove ili prijaviti bilo kakvu reklamaciju, obratite se izravno prodavaču koji je izdao račun.

Керівництво користувача (UK)

УМОВИ БЕЗПЕКИ ВАЖЛИВІ ІНСТРУКЦІЇ З БЕЗПЕКИ БУДЬ ЛАСКА, УВАЖНО ПРОЧИТАЙТЕ ТА ЗБЕРІГАЙТЕ ДЛЯ ВИКОРИСТАННЯ В МАЙБУТНЬОМУ

Умови гарантії відрізняються, якщо пристрій використовується в комерційних цілях.

1. Перед використанням продукту уважно прочитайте та завжди дотримуйтесь наведених нижче інструкцій. Виробник не несе відповідальності за будь-яку шкоду, спричинену неналежним використанням.
2. Виріб можна використовувати лише в приміщенні. Не використовуйте виріб у цілях, несумісних з його призначенням.
3. Застосовна напруга становить 230 В, ~50 Гц. З міркувань безпеки не підключайте кілька пристроїв до однієї електричної розетки.
4. Будьте обережні при використанні з дітьми. Не дозволяйте дітям гратися з продуктом. Не дозволяйте дітям або людям, які не знайомі з пристроєм, використовувати його без нагляду.
5. **ПОПЕРЕДЖЕННЯ:** Діти віком від 8 років та особи з обмеженими фізичними, сенсорними чи розумовими здібностями, а також особи, які не мають досвіду чи знань про прилад, можуть використовувати цей прилад лише за умови, що вони перебувають під наглядом особи, відповідальної за їх безпеку, або проінструктовані щодо безпечного використання приладу та усвідомлюють ризики, пов'язані з його використанням. Діти не повинні гратися з пристроєм. Очищення та

обслуговування пристрою не повинні виконувати діти, якщо вони не старші 8 років, і ці дії виконуються під наглядом.

6. Після використання виробу завжди не забувайте обережно виймати вилку з розетки, тримаючи розетку рукою. Ніколи не тягніть за шнур живлення!!!

7. Ніколи не залишайте виріб без нагляду підключеним до джерела живлення. Навіть якщо використання було перервано на короткий час, будь ласка, вимкніть його та відключіть джерело живлення.

8. Ніколи не опускайте шнур живлення, вилку або весь прилад у воду. Ніколи не піддавайте виріб впливу атмосферних умов, наприклад прямих сонячних променів, дощу тощо. Ніколи не використовуйте виріб у вологих умовах.

9. Періодично перевіряйте стан кабелю живлення. Якщо шнур живлення пошкоджено, виріб слід віднести до професійного сервісного центру для заміни, щоб уникнути небезпечних ситуацій.

10. Ніколи не використовуйте виріб, якщо шнур живлення пошкоджений, якщо він упав або пошкоджений іншим чином, або якщо він не працює належним чином. Не намагайтеся відремонтувати несправний виріб самостійно, оскільки це може призвести до ураження електричним струмом. Пошкоджений пристрій слід завжди відносити до професійного сервісного центру для ремонту. Усі ремонти можуть виконуватися лише авторизованими фахівцями з обслуговування. Неналежний ремонт може призвести до небезпечних ситуацій для користувача.

11. Ніколи не розміщуйте виріб на гарячих чи теплих поверхнях чи кухонних приладах, таких як електрична духовка чи газовий пальник, або поблизу них.

12. Ніколи не використовуйте виріб поблизу легкозаймистих матеріалів.

13. Не дозволяйте шнуру звисати з краю стільниці.

14. Якщо прилад переповнений, орієнт може бризнути.

15. Ніколи не спрямовуйте пароочисник на себе, інших людей, тварин або електроприлади, наприклад духовки.

16. Ви можете використовувати пристрій лише з оригінальними аксесуарами.
17. Не блокуйте отвори в машині та не вставляйте в отвори будь-які предмети.
18. Не нахилийте пристрій більш ніж на 45 градусів. Пристрій розроблено для роботи у вертикальному положенні.
19. Перед заливкою води в прилад відключіть його від електромережі.
20. Не додавайте жодних речовин у воду, яка використовується в приладі: засоби для видалення накипу, ароматичні масла, засоби для чищення.
21. Переконайтеся, що кришка резервуара для води міцно прикручена до пристрою.



ПОПЕРЕДЖЕННЯ: ГАРЯЧА ПАРА Небезпека опіків

Опис пристрою:

1. Запобіжний кран
2. Заливний отвір
3. Cap Lock
4. Вихід пари
5. Світловий індикатор
6. Блокування від дітей
7. Випуск пари
8. Вилка живлення

Аксесуари: А. Воронка × 1 В. Мірний стакан × 1 С. Набір рушників × 1 D. Плоска щітка × 1 Е. Велика насадку × 1 F. Подовжувальний шланг × 1 G. Нейлонова щітка × 1 H. Щітка з нержавіючої сталі × 1 I. Щітка для підлоги × 1 J. З'єднувач для щітки для підлоги × 1 K. Подовжувальна трубка × 3 L. Рушник для чищення підлоги × 1

ПРИМІТКА: – Спочатку перевірте в непомітному місці, чи підходить матеріал, який ви збираєтеся очистити, для очищення парою, наприклад:

Пара може призвести до вицвітання лакованої деревини або шкіри.

Незахищена деревина може розбухнути.

Пара може видалити захисні шари воску.

Під дією пари пластик може знебарвитися.

М'який пластик може деформуватися під дією пари.

Холодні скляні або дзеркальні поверхні можуть тріснути під дією гарячої пари.

– Ніколи не наповнюйте пароочисник іншими рідинами, окрім води.

– За жодних обставин не ставте пароочисник або окремі його частини в посудомийну машину. Його б знищили.

– Припиніть використання пароочисника, якщо на його пластикових частинах є тріщини, відколи або деформація.

Пошкоджені частини слід замінювати лише відповідними оригінальними запасними частинами.

– Не використовуйте пароочисник із порожнім баком. Коли резервуар для води закінчиться, вийміть вилку з розетки, щоб уникнути перегріву.

– Якщо ви хочете очистити вікна, їх потрібно спочатку нагріти, наприклад, подавши пару на більшу відстань, а потім з більшої відстані.

– Надягайте рукавички, захисні окуляри та засоби захисту органів дихання, намагаючись видалити шкідливі для здоров'я речовини.

Перед першим використанням:

Зніміть із пристрою всі пакувальні матеріали та наклейки. Чистіть пристрій чистою вологою тканиною. Відкрийте пристрій, повернувши контргайку (1) проти годинникової стрілки. Залийте водою і вилийте воду. Це видалить усі заводські залишки та бруд зсередини пристрою. Потім продовжуйте роботу в звичайному режимі.

Використовуючи:

1. Поставте пароочисник на суху рівну поверхню та відкрийте захисну кришку (1). Для цього міцно натисніть на гайку і поверніть її проти годинникової стрілки.
2. Використовуйте мірну чашку (В) і воронку (А), щоб наповнити пристрій водою. Максимальна місткість 400 мл. Ми рекомендуємо наповнювати до 350 мл для кращої продуктивності та більшого випаровування. Якщо в баку більше 350 мл, пара може містити трохи води протягом перших 2 хвилин використання.

Особливі примітки:

Будь ласка, використовуйте чисту воду (дрібні тверді частинки можуть заблокувати трубу або спричинити поломку машини) Якщо водопровідна вода у вашому регіоні жорстка або дуже жорстка, ми пропонуємо використовувати суміш водопровідної та дистильованої води.

Будь ласка, не наливайте менше 150 мл води.

3. Закрийте кришку, повернувши її за годинниковою стрілкою.
4. Вставте вилку в електричну розетку. Червоне світло засвітиться, вказуючи на нагрівання.
5. Коли загориться зелений індикатор, пристрій готовий до роботи. Будь ласка, зверніть увагу, що червоне світло вмикається та вимикається під час роботи. Використовуйте лише тоді, коли горить зелене світло. Інакше пристрій буде капати і бризкати гарячою водою.
6. Увімкніть блокування від дітей (6). Потім натисніть кнопку подачі пари (7). З пристрою почне виходити пара. Не забувайте завжди натискати кнопку подачі пари (7), коли ви відпустите кнопку подачі пари (7), замок від дітей (6) повернеться у вимкнене положення.

Після закінчення роботи або спорожнення резервуара для води:

Після закінчення роботи:

1. Від'єднайте пристрій від електромережі.
 2. Натисніть кнопку пари (7) і утримуйте її, доки пара не припиниться.
 3. Зачекайте, поки пристрій охолоне приблизно 12-20 хвилин, залежно від кількості пари, що залишилася всередині.
 4. Повільно відкрутіть контргайку (1) і зачекайте кілька хвилин, щоб волога вийшла з пристрою.
- Якщо в резервуарі більше не буде води, пристрій перестане виробляти пару. Воду потрібно поповнювати. Для цього виконайте наведені нижче дії.

Доповнення бака:

1. Від'єднайте пристрій від електромережі.
2. Натисніть кнопку пари (7) і утримуйте її, доки пара не припиниться.
3. Зачекайте, поки пристрій охолоне приблизно 12-20 хвилин, залежно від кількості пари, що залишилася всередині.
4. Повільно відкрутіть стопорну гайку (1) і зачекайте кілька секунд, поки вийде залишкова пара.
5. Повільно наповніть резервуар водою або сумішшю водопровідної та дистильованої води. Слідкуйте, щоб ви не налили більше 400 мл. (рекомендовано 350 мл)
6. Знову закрийте контргайку (1).

УВАГА:

Пароочисник має систему захисту від перегріву. Він автоматично вимкнеться, якщо перегріється. Зверніть увагу, що пристрій може зламатися, якщо використовувати його занадто багато разів із порожнім баком. Переконайтеся, що в резервуарі завжди достатньо води під час роботи.

Опис і використання аксесуарів:

Д. Плоска кисть

Вставте велику насадку в отвір плоскої щітки (3С) і поверніть її за годинниковою стрілкою, доки не почуєте клацання (3С). Він може очистити плоскі поверхні, такі як вікна тощо. Після використання зніміть плоску щітку, обертаючи її проти годинникової стрілки.

Для чищення столів і стільців, полиць або прасування одягу нанесіть білий рушник на плоску щітку (3С).

Е. Велика насадка

Велика насадка корисна під час чищення кутів.

Щоб прикріпити, приєднайте широкий кінець насадки до паровиходу, доки запобіжний затискач не стане на місце. (3В)

Ф. Подовжувальний шланг

Якщо поверхня, яку ви намагаєтеся очистити, важкодоступна, скористайтеся подовжувальним шлангом. Щоб приєднати ширший кінець шланга до вихідного отвору пари, під'єднайте його так, щоб запобіжний затискач зафіксувався на місці.

G, H. Щітка з нейлону та нержавіючої сталі

Вставте велику насадку (E) у виріз круглої щітки (3D) і поверніть її за годинниковою стрілкою, доки не почуєте клацання (3D). Після використання зніміть круглу щітку, повернувши її проти годинникової стрілки.

K. Подовжувальна трубка x 3

Якщо місце прибирання важкодоступне або пристрій використовується для миття підлоги чи скла на високих місцях, його можна використовувати з подовжувальною трубкою. Спосіб роботи такий: приєднайте наконечник подовжувача до паровиходу, доки фіксований замок повністю не зафіксується в отворі подовжувача (як у випадку з великою насадкою 3B) і зафіксується на місці з клацанням, збірка завершено. Зверніть увагу, що використання подовжувальної трубки знизить температуру пари. Залежно від температури трубки кількість пари, що виходить із сопла, може відрізнятись.

I. Щітка для підлоги

Для чищення підлоги використовуйте щітку для підлоги.

Підключіть до пристрою два або три подовжувачі (K). Інший кінець подовжувачів слід прикріпити до щітки для підлоги. З боків щітки натисніть кнопки, щоб відкрити кріпильні затискачі, вставте рушник для підлоги (L) у відкриті затискачі. Після використання зніміть рушник і висушіть/виперіть перед наступним використанням.

Прибирання:

1. Перед чищенням вийміть вилку з розетки.
2. Перед зберіганням дайте пароочиснику охолонути.
3. Протріть пароочисник і аксесуари вологою тканиною. Дайте всім частинам повністю висохнути.

Зберігання:

Перед зберіганням всі деталі повинні бути повністю сухими.

- Завжди зберігайте пароочисник у сухому, чистому місці без пилу.

- Зберігайте пароочисник замкненим і розміщуйте його в недоступному для дітей місці.

Усунення несправностей

проблема:

З сопла не виходить пара

Причина: вилка не вставлена в розетку

Рішення: підключіть пристрій до розетки

Причина: немає води в баку.

Рішення: Налийте воду в бак.

Причина: кнопка подачі пари не натиснута.

Рішення: звільніть блокування від дітей і натисніть кнопку подачі пари.

проблема:

Горить лише зелене світло. Червоне світло не горить.

Причина: перегоріло світло.

Рішення: зверніться до центральної служби.

проблема:

Червоне світло горить постійно, зелене не горить.

Причина: зламани внутрішні електричні частини або зламаний термостат.

Рішення: зверніться до центральної служби.

проблема:

Мерехтливе червоне світло.

Причина: відсутність води або погане підключення до мережі.

Рішення: переконайтеся, що пристрій правильно підключено та повністю підключено до мережі живлення. Додати воду.

Якщо мерехтіння все одно виникає, зверніться до центральної служби обслуговування.

проблема:

Вода тече з форсунки.

Причина: не використовувався протягом тривалого часу, і пара в насадці/аксесуарах конденсується.

Рішення: нормальне явище. Натисніть кнопку випуску пари протягом 2 секунд.
Якщо пристрій все ще викидає воду з насадки, це означає, що в пристрої занадто багато води.
Якщо після тривалого використання з насадки тече вода, зверніться до центрального сервісного центру.

Інші проблеми:

Пара виходить із приладу не з парового сопла.

Пластична деформація або розм'якшення пластмаси.

Після спустошення приладу або випуску пари запобіжний ковпачок (1) все одно не можна відкрити.

Рішення: Зверніться до центральної служби.

Технічні дані:

Напруга: 220-240 В ~ 50/60 Гц

Ємність: 400 мл

Потужність: 1200 Вт

Максимальна потужність: 2000 Вт



Заради довкілля. Картонну упаковку та поліетиленові (ПЕ) пакети викидати у відповідні контейнери, призначені для селективного збору побутових відходів відповідно до їх опису. Якщо в пристрої є батареї, їх слід виїняти та віднести на пункт збору та зберігання окремо. Використаний пристрій слід повернути до відповідного пункту збору та зберігання, оскільки небезпечні речовини, які він містить, можуть становити загрозу здоров'ю та навколишньому середовищу. Маркування на виробі вказує на те, що пристрій не можна викидати з побутовими відходами. Відходи електрообладнання - це відходи, які містять шкідливі для людей, тварин і навколишнього середовища речовини. Ці речовини можуть призвести до забруднення ґрунту, води чи повітря, а отже, можуть потрапити в організм людини та призвести до численних захворювань, таких як: порушення зору, слуху та мови, а також можуть призвести до пошкодження нирок, печінки та серця, і викликають шкірні захворювання. Шкідливі речовини також можуть мати негативний вплив на дихальну та репродуктивну системи та призводити до раку. Споживання рослин, що ростуть на оскаржених ґрунтах, і продуктів, отриманих з них, може становити ризик вищезазначених наслідків для здоров'я. **Не викидайте пристрій у муніципальні контейнери!!**

Сервіс Якщо ви бажаєте придбати запчастини або повідомити про будь-які скарги, зв'яжіться безпосередньо з продавцем, який видав чек.

Упутство за употребу (SR)

БЕЗБЕДНОСНИ УСЛОВИ
ВАЖНА БЕЗБЕДНОСНА УПУТСТВА
МОЛИМ ВАС ПРОЧИТАЈТЕ ПАЖЉИВО И ЧУВИТЕ ЗА БУДУЋУ
УПОТРЕБУ

Услови гаранције су другачији ако се уређај користи у комерцијалне сврхе.

1. Пре употребе производа, пажљиво прочитајте и увек пратите упутства у наставку. Произвођач није одговоран за било какву штету насталу неправилним коришћењем.
2. Производ се сме користити само у затвореном простору. Немојте користити производ у сврхе које нису у складу са његовом наменом.
3. Применљиви напон је 230В, ~50Хз. Из безбедносних разлога, немојте укључивати више уређаја у једну електричну утичницу.
4. Будите опрезни када користите са децом. Не дозволите деци да се

играју са производом. Не дозволите деци или људима који нису упознати са уређајем да га користе без надзора.

5. УПОЗОРЕЊЕ: Овај уређај могу да користе деца старија од 8 година и особе са смањеним физичким, сензорним или менталним способностима или недостатком искуства или знања о апарату само ако су под надзором особе одговорне за њихову безбедност или су упућени у безбедну употребу уређаја и свесни ризика повезаних са његовим радом. Деца не би требало да се играју са уређајем.

Чишћење и одржавање уређаја не би требало да обављају деца осим ако нису старија од 8 година и ове активности се обављају под надзором.

6. Након употребе производа, увек не заборавите да пажљиво извадите утикач из утичнице држећи утичницу руком. Никада не вуците кабл за напајање!!!

7. Никада не остављајте производ повезан на извор напајања без надзора. Чак и ако је употреба прекинута на кратко, искључите је и искључите напајање.

8. Никада не стављајте кабл за напајање, утикач или цео уређај у воду. Никада не излажите производ атмосферским условима као што су директна сунчева светлост, киша итд. Никада немојте користити производ у влажним условима.

9. Повремено проверавајте стање кабла за напајање. Ако је кабл за напајање оштећен, производ треба однети у професионални сервисни центар на замену како бисте избегли опасне ситуације.

10. Никада немојте користити производ ако је кабл за напајање оштећен, ако је пао или на неки други начин оштећен, или ако не ради исправно. Не покушавајте сами да поправите неисправан производ јер то може довести до струјног удара. Оштећени уређај увек треба однети у професионални сервисни центар на поправку. Све поправке смеју да обављају само овлашћени сервисери. Неправилно обављене поправке могу довести до опасних ситуација за корисника.

11. Никада не постављајте производ на или близу врућих или топлих површина или кухињских уређаја као што су електрична пећница или

плински горионик.

12. Никада не користите производ у близини запаљивих материјала.
13. Не дозволите да кабл виси преко ивице радне површине.
14. Ако је уређај препун, кључала вода може прскати.
15. Никада немојте усмеравати парни чистач ка себи, другим људима, животињама или електричним уређајима, нпр.
16. Уређај смете да користите само са оригиналним прибором.
17. Немојте блокирати отворе на машини нити уметати никакве предмете у отворе.
18. Немојте нагињати уређај више од 45 степени. Уређај је дизајниран да ради у усправном положају.
19. Пре него што сипате воду у уређај, искључите га из напајања.
20. У воду која се користи у уређају немојте додавати никакве супстанце: средства за уклањање каменца, ароматична уља, средства за чишћење.
21. Уверите се да је поклопац резервоара за воду чврсто причвршћен на уређај.



УПОЗОРЕЊЕ: ТОПЛА ПАРА Опасност од опекотина

Опис уређаја:

1. Сигурносни вентил
2. Рупа за пуњење
3. Цап лоцк
4. Излаз паре
5. Индикаторска лампица
6. Брава за децу
7. Отпуштање паре
8. Утикач за напајање

Прибор: А. Левак × 1 Б. Мерна чаша × 1 Ц. Сет пешкира × 1 Д. Равна четка × 1 Е. Велика млазница × 1 Ф. Продужно црево × 1 Г. Најлонска четка × 1 Х. Четка од нерђајућег челика × 1 И. Четка за под × 1 Ј. Конектор за четкицу за под × 1 К. Продужна цев × 3 Л. Пешкир за четкицу за под × 1

НАПОМЕНА: – Прво проверите на неупадљивом месту да ли је материјал који намеравате да очистите погодан за чишћење паром, нпр.:

Пара може да изазове избледење лакираног дрвета или коже.

Незаштићено дрво може набубрити.

Пара може уклонити заштитне слојеве воска.

Пластика може да промени боју под утицајем паре.

Мека пластика се може деформисати када је изложена пари.

Хладне стаклене или огледалне површине могу да попуцају под утицајем вруће паре.

– Никада немојте пунити парни чистач другим течностима осим водом.

– Ни у ком случају не стављајте парни чистач или поједине делове у машину за прање судова. Био би уништен.

- Престаните да користите парни чистач ако његови пластични делови показују пукотине, стругутине или деформације. Оштећене делове треба заменити само одговарајућим оригиналним резервним деловима.
- Не користите парни чистач са празним резервоаром. Када се резервоар за воду испразни, извуците мрежни утикач да бисте избегли прегревање.
- Ако желите да очистите прозоре, прво их морате загрејати, нпр. наношењем паре на већу површину са веће удаљености, а затим са веће удаљености.
- Носите рукавице, заштитне наочаре и заштиту за дисање када покушавате да уклоните супстанце штетне по здравље.

Пре прве употребе:

Уклоните сав материјал за паковање и налепнице са уређаја. Очистите уређај чистом и влажном крпом. Отворите уређај окретањем сигурносне матице (1) у смеру супротном од казаљке на сату. Напуните водом и излијте воду. Ово ће уклонити све фабричке остатке и прљавштину из унутрашњости уређаја. Затим наставите са радом нормално.

користећи:

1. Поставите парни чистач на суву и равну површину и отворите сигурносни поклопац (1). Да бисте то урадили, чврсто притисните матицу и окрените је у смеру супротном од казаљке на сату.
2. Користите мерну чашу (Б) и левак (А) да напуните уређај водом. Максимални капацитет је 400 мл. Предлажемо пуњење до 350 мл за боље перформансе и већу производњу паре. Ако у резервоару има више од 350 мл, пара може садржати мало воде током прва 2 минута употребе.

Посебне напомене:

Користите чисту воду (мале чврсте честице могу блокирати цев или узроковати квар машине)

Ако је вода из славине у вашем подручју тврда или веома тврда, предлажемо да користите мешавину воде из славине и дестиловане воде.

Немојте сипати мање од 150 мл воде.

3. Затворите поклопац окретањем у смеру казаљке на сату.

4. Утакните мрежни утикач у електричну утичницу. Црвено светло ће се упалити да укаже на грејање.

5. Када се упали зелено светло, уређај је спреман за рад. Имајте на уму да ће се црвено светло палити и гасити током рада. Користите само када је зелено светло укључено. У супротном, уређај ће капати и прскати топлу воду.

6. Окрените браву за децу (6) у положај укључен. Затим притисните окидач за пару (7). Steam ће почети да излази из уређаја. Не заборавите да увек притискате окидач за пару (7), када отпустите окидач за пару (7) брава за децу (6) ће се вратити у искључени положај.

Након завршетка рада или пражњења резервоара за воду:

По завршетку рада:

1. Искључите уређај из електричне мреже.
2. Притисните окидач за пару (7) и држите га притиснутим док пара не престане да се производи.
3. Сачекајте да се уређај охлади отприлике 12-20 минута, у зависности од количине паре која је преостала унутра.
4. Полако одвртите сигурносну матицу (1) и сачекајте неколико минута да влага побегне из уређаја.

Ако више нема воде у резервоару, уређај ће престати да производи воду. Воду треба допунити. Да бисте то урадили, следите доле наведене кораке:

Допуњавање резервоара:

1. Искључите уређај из електричне мреже.
2. Притисните окидач за пару (7) и држите га притиснутим док пара не престане да се производи.
3. Сачекајте да се уређај охлади отприлике 12-20 минута, у зависности од количине паре која је преостала унутра.
4. Полако одвртите сигурносну матицу (1) и сачекајте неколико секунди да преостала пара изађе.
5. Полако пуните резервоар водом или мешавином воде из славине и дестиловане воде. Пазите да не сипате више од 400 мл. (препоручено 350 мл)
6. Поново затворите сигурносну матицу (1).

ПАЖЊА:

Парни чистач има систем заштите од прегревања. Аутоматски ће се искључити ако се прегреје. Имајте на уму да се уређај може покварити ако се користи превише пута са празним резервоаром. Уверите се да у резервоару увек има довољно воде током рада.

Опис и употреба додатне опреме:

Д. Равна четка

Уметните велику млазницу у отвор равне четке (3Ц) и окрените је у смеру казаљке на сату док не чујете клик (3Ц). Може да чисти равне површине као што су прозори итд. Након употребе, уклоните равну четку ротирајући је у смеру супротном од

казалке на сату.

Да бисте очистили столове и столице, полице или пеглали одећу, нанесите бели пешкир на равну четку (3Ц).

Е. Велика млазница

Велика млазница је корисна при чишћењу углова.

За причвршћивање, повежите широки крај млазнице са излазом за пару док сигурносна копча не шкљоцне на своје место. (3Б)

Ф. Продужно црево

Ако је површина коју покушавате да очистите тешко доступна, користите продужно црево.

Да бисте причврстили шири крај црева на отвор за пару, повежите га тако да сигурносна копча шкљоцне на своје место.

Г, Х. Четка од најлона и нерђајућег челика

Уметните велику млазницу (Е) у изрез округле четке (3Д) и окрените је у смеру казалке на сату док не чујете клик (3Д).

Након употребе, уклоните округлу четку окретањем у смеру супротном од казалке на сату.

К. Продужна цев к 3

Ако је подручје за чишћење тешко доступно или се уређај користи за чишћење подова или стакла на високим местима, може се користити са продужном цеви. Начин рада је следећи: повежите врх продужетка са излазом за пару док се фиксна брава потпуно не уклопи у отвор наставка (као код велике 3Б млазнице) и закључа се на своје место уз звук кликтања, склоп је потпуна. Имајте на уму да ће употреба продужне цеви смањити температуру паре. У зависности од температуре цеви, пара која излази из млазнице може варирати.

И. Четка за под

Користите четку за под да очистите под.

Повежите два или три продужна кабла (К) на уређај. Други крај продужне цеви треба да буде причвршћен за четку за под.

На бочним странама четке притисните дугмад да отворите монтажне стезалке, уметните подни пешкир (Л) у отворене стезалке. Након употребе, уклоните пешкир и осушите/оперите пре следеће употребе.

Чишћење:

1. Пре чишћења, извучите мрежни утикач из утичнице.
2. Оставите парни чистач да се охлади пре складиштења.
3. Обришите парни чистач и прибор влажном крпом. Пустите да се сви делови потпуно осуше.

Складиштење:

Сви делови морају бити потпуно суви пре складиштења.

- Ваш парни чистач увек чувајте на сувом, чистом месту без прашине.

- Чувајте парни чистач закључан и поставите га тако да уређај буде ван домаћаја деце.

Решавање проблема

проблем:

Из млазнице не излази пара

Узрок: Утикач није уметнут у утичницу

Решење: Укључите уређај у утичницу

Узрок: Нема воде у резервоару.

Решење: Сипајте воду у резервоар.

Узрок: Дугме за пару није притиснуто.

Решење: Отпустите браву за децу и притисните дугме за пару.

проблем:

Упаљено је само зелено светло. Црвено светло се не пали.

Узрок: Прегорело је светло.

Решење: консултујте Централну службу.

проблем:

Црвено светло је увек укључено, зелено се не пали.

Узрок: Сломљени унутрашњи електрични делови или поковарени термостат.

Решење: консултујте Централну службу.

проблем:

Трепереће црвено светло.

Узрок: Нема воде или је слаба мрежна веза.

Решење: Проверите да ли је уређај правилно повезан и у потпуности прикључен на електричну мрежу. Додајте воду. Ако се треперење и даље јавља, обратите се централној служби.

проблем:

Вода која тече из млазнице.

Узрок: Није коришћен дуже време и пара у млазници/прибору се кондензује.

Решење: Нормална појава. Притисните дугме за испуштање паре на 2 секунде.

Ако уређај и даље испушта воду из млазнице, у уређају има превише воде.

Ако мирна вода тече из млазнице након дуже употребе, обратите се централном сервису.

Остали проблеми:

Пара излази из уређаја са других места осим млазнице за пару.

Пластична деформација или омекшавање пластике.

Након пражњења уређаја или испуштања паре, сигурносни поклопац (1) се и даље не може отворити.

Решење: Обратите се централној служби.

Технички подаци:

Напон: 220-240В~ 50/60 Хз

Капацитет: 400 мл

Снага: 1200В

Максимална снага: 2000 В



Због животне средине. Картонску амбалажу и полиетиленске (ПЕ) кесе бацити у одговарајуће контејнере намењене за селективно сакупљање комуналног отпада у складу са њиховим описом. Ако у уређају постоје батерије, треба их уклонити и одвојено однети на место за прикупљање и складиштење. Коришћени уређај треба вратити на одговарајуће место за сакупљање и складиштење, јер опасне супстанце које садржи могу представљати опасност по здравље и животну средину. Ознака на производу указује да се уређај не сме одлагати са комуналним отпадом. Отпадна електрична опрема је отпад који садржи супстанце штетне за људе, животиње и животну средину. Ове супстанце могу довести до загађења земљишта, воде или ваздуха, а самим тим могу ући у људски организам и довести до бројних здравствених тегоба, као што су: поремећаји вида, слуха и говора, а могу довести и до оштећења бубрега, јетре и срца, и изазивају кожне болести. Штетне супстанце такође могу негативно утицати на респираторни и репродуктивни систем и довести до рака. Потрошња биљака које расту на притуженим земљиштима и производа добијених од њих може представљати ризик од горе наведених здравствених ефеката. **Не бацајте уређај у контејнере за комунални отпад!!**

Сервис Ако желите да купите резервне делове или да пријавите било какве рекламације, контактирајте директно продавца који је издао рачун.

AR) الم س تخدم دل يل

شروط السلامة

تعليمات هامة للسلامة

يرجى القراءة بعناية والاحتفاظ بها للاستخدام المستقبلي

تختلف شروط الضمان في حالة استخدام الجهاز لأغراض تجارية.

1. قبل استخدام المنتج، اقرأ التعليمات الواردة أدناه بعناية واتبعها دائماً. الشركة المصنعة ليست مسؤولة عن أي ضرر ناتج عن الاستخدام غير السليم.
2. لا يجوز استخدام المنتج إلا في الداخل. لا تستخدم المنتج لأغراض لا تتوافق مع الاستخدام المقصود.
3. الجهد المطبق هو 230 فولت، ~50 هرتز. لأسباب تتعلق بالسلامة، لا تقم بتوصيل أجهزة متعددة بأخذ كهربائي واحد.
4. كن حذراً عند الاستخدام مع الأطفال. لا تدع الأطفال يلعبون بالمنتج. لا تسمح للأطفال أو الأشخاص الذين لا يعرفون الجهاز باستخدامه دون إشراف.
5. تحذير: يمكن استخدام هذا الجهاز من قبل الأطفال الذين تزيد أعمارهم عن 8 سنوات والأشخاص ذوي القدرات البدنية أو الحسية أو العقلية المنخفضة أو الذين يفتقرون إلى الخبرة أو المعرفة بالجهاز فقط إذا كانوا تحت إشراف شخص مسؤول عن سلامتهم أو تم مراقبتهم تعليمات حول الاستخدام الآمن للجهاز وعلى دراية بالمخاطر المرتبطة بتشغيله. يجب ألا يلعب الأطفال بالجهاز. يجب ألا يقوم الأطفال بتنظيف الجهاز وصيانته إلا إذا تجاوزوا سن 8 سنوات، ويتم تنفيذ هذه الأنشطة تحت إشراف.
6. بعد استخدام المنتج، تذكر دائماً إزالة القاييس من المقيس بلطف عن طريق الإمساك بالمقيس بيدك. لا تسحب سلك الكهرباء أبداً !!!
7. لا تترك المنتج متصلاً بمصدر طاقة دون مراقبة. حتى في حالة انقطاع الاستخدام لفترة قصيرة، يرجى إيقاف تشغيله وفصل مصدر

الطاقة.

8. لا تضع أبداً سلك الطاقة أو القابس أو الجهاز بأكمله في الماء. لا تعرض المنتج أبداً للظروف الجوية مثل أشعة الشمس المباشرة والمطر وما إلى ذلك. لا تستخدم المنتج أبداً في الظروف الرطبة.
9. تحقق بشكل دوري من حالة كابل الطاقة. في حالة تلف سلك الطاقة، يجب نقل المنتج إلى مركز خدمة متخصص لاستبداله لتجنب المواقف الخطيرة.
10. لا تستخدم المنتج أبداً إذا كان سلك الطاقة تالفاً أو إذا سقط أو تعرض للتلوث بأي شكل آخر، أو إذا كان لا يعمل بشكل صحيح. لا تحاول إصلاح المنتج المعيب بنفسك لأن ذلك قد يؤدي إلى حدوث صدمة كهربائية. يجب دائماً نقل الجهاز التالف إلى مركز خدمة متخصص لإصلاحه. لا يجوز إجراء جميع الإصلاحات إلا بواسطة فنيي الخدمة المعتمدين. قد تؤدي الإصلاحات التي تم إجراؤها بشكل غير صحيح إلى حدوث مواقف خطيرة للمستخدم.
11. لا تضع المنتج أبداً على أو بالقرب من الأسطح الساخنة أو الدافئة أو أدوات المطبخ مثل الفرن الكهربائي أو موقد الغاز.
12. لا تستخدم المنتج أبداً بالقرب من المواد القابلة للاشتعال.
13. لا تدع السلك يتدلى على حافة سطح العمل.
14. إذا كان الجهاز ممتلئاً بشكل زائد، فقد يتناثر الماء المغلي.
15. لا توجه مطلقاً جهاز التنظيف بالبخار نحوك أو تجاه الآخرين أو الحيوانات أو الأجهزة الكهربائية، مثل الأفران.
16. لا يجوز لك استخدام الجهاز إلا مع الملحقات الأصلية.
17. لا تقم بسد الفتحات الموجودة في الجهاز أو إدخال أي أشياء في الفتحات.
18. لا تقم بإزالة الجهاز أكثر من 45 درجة. تم تصميم الجهاز للعمل في وضع مستقيم.
19. قبل صب الماء في الجهاز، فصله عن مصدر الطاقة.
20. لا تقم بإضافة أي مواد إلى الماء المستخدم في الجهاز: مواد إزالة الترسبات، الزيوت العطرية، مواد التنظيف.
21. تأكد من تثبيت غطاء خزان المياه بإحكام على الجهاز.



تحذير: البخار الساخن خطر الحروق

وصف الجهاز:

1. محبس الأمان
2. ملء القتب
3. قفل الغطاء
4. مخرج البخار
5. ضوء المؤشر
6. قفل للأطفال
7. إطلاق البخار
8. قابس طاقة

الملحقات: أ. قمع × 1 ب. كوب فيليس × 1 ج. مجموعة منفاث × 1 د. فرشاة مسطحة × 1 هـ. فوهة كبيرة × 1 ف. خرطوم تمديد × 1 جـ. فرشاة نايلون × 1 د. فرشاة مقاوم للصدأ × 1 | 1. فرشاة الأرضية × 1 ل. موصل فرشاة الأرضية × 1 K. أنبوب التمديد × 3 لث. منشفة فرشاة الأرضية × 1

ملحوظة: - أولاً، تحقق في مكان غير ظاهر مما إذا كانت المادة التي تنوي تنظيفها مناسبة للتنظيف بالبخار، على سبيل المثال: قد يتسبب البخار في بهتان لون الخشب أو الجلد المصقول.
قد يتفكك الخشب غير المحمي.
يمكن للبخار إزالة الطبقات الواقية من الشمع.
قد يتغير لون المواد البلاستيكية تحت تأثير البخار.
قد تتشوه المواد البلاستيكية الناعمة عند تعرضها للبخار.
قد يتشقق الزجاج البارد أو أسطح المرايا تحت تأثير البخار الساخن.

- لا تقم مطلقاً بملء جهاز التنظيف بالبخار بموائل غير الماء.
- لا تستخدم جهاز التنظيف بالبخار أو الأجزاء الفردية منه في غسالة الأطباق تحت أي ظرف من الظروف. سيتم تدميرها.
- توقف عن استخدام جهاز التنظيف بالبخار إذا ظهرت على أجزائه البلاستيكية شقوق أو رقائق أو تشوه. يجب استبدال الأجزاء التالفة فقط بقطع الغيار الأصلية المناسبة.
- لا تستخدم جهاز التنظيف بالبخار وحراره فارغ. عندما ينفذ خزان المياه، اسحب قابس التيار الكهربائي لتجنب ارتفاع درجة الحرارة.
- إذا كنت ترغب في تنظيف النوافذ، فاجب عليها أولاً بتسخينها، على سبيل المثال، عن طريق وضع البخار على سطح أكبر من مسافة أكبر، ثم من مسافة أقرب.
- ارتداء النظارات والنظارات الواقية وحماية الجهاز التنفسي عند محاولة إزالة المواد الضارة بالصحة.

قبل الاستخدام الأول:
قم بإزالة جميع مواد التنظيف والملصقات من الجهاز. قم بتنظيف الجهاز بقطعة قماش نظيفة ورطبة. افتح الجهاز عن طريق إدارة صمامولة القفل (1) عكس اتجاه عقارب الساعة. املاً بالماء واسكب الماء. سيؤدي هذا إلى إزالة جميع بقايا المصنع والأساخ من داخل الجهاز. ثم تابع العمل بشكل طبيعي.

استخدام:

1. ضع جهاز التنظيف بالبخار على سطح جاف ومستو واقف غطاء الأمان (1). للقيام بذلك، اضغط على الجوز بقوة وأدره عكس اتجاه عقارب الساعة.
2. استخدم كوب القابس (ب) والقمع (أ) لملء الجهاز بالماء. البعثة القصوى هي 400 مل. ننترح ملء ماء يصل إلى 350 مل للحصول على أداء أفضل وإنتاج بخار أعلى. إذا كان هناك أكثر من 350 مل في الخزان، قد يحتوي البخار على بعض الماء خلال أول دقيقتين من الاستخدام.
- ملاحظات خاصة:
يرجى استخدام الماء النظيف (الجزئيات الصلبة الصغيرة قد تسد الأنابيب أو تتسبب في تعطل الماكينة)
إذا كان ماء الصنبور في منطقتك عسراً أو شديد الصلابة، ننترح استخدام خليط من ماء الصنبور والماء المقطر.
يرجى عدم صب أقل من 150 مل من الماء.
3. أغلق الغطاء عن طريق لفه في اتجاه عقارب الساعة.

4. أدخل قابس التيار الكهربائي في المقبس الكهربائي، سيضيء الضوء الأحمر للإشارة إلى التسخين.
5. عندما يضيء الضوء الأخضر، يكون الجهاز جاهزاً للتشغيل. يرجى الاستمرار فقط عندما يكون الضوء الأخضر قيد التشغيل. وإلا فإن الجهاز سوف يفظر ويرش الماء الساخن.
6. ادر قفل الأطفال (6) إلى وضع التشغيل، ثم اضغط على زناد البخار (7). سيبدأ البخار بالخروج من الجهاز. تذكر أن تضغط دائماً على مشغل البخار (7)، عندما تحرر مشغل البخار (7)، سيعود قفل الأطفال (6) إلى وضع إيقاف التشغيل.

بعد الانتهاء من العمل أو توزيع خزان المياه:

1. فصل الجهاز عن مصدر الطاقة الرئيسي.
2. اضغط على زناد البخار (7) واستمر في الضغط عليه حتى يتوقف إنتاج البخار.
3. انتظري حتى يبرد الجهاز لمدة 20-12 دقيقة تقريباً، حسب كمية البخار المتبقية بالداخل.
4. قم بفتح صمامولة القفل (1) ببضع وانتظري بضع دقائق حتى تتسرب الرطوبة من الجهاز.
- إذ لم يعد هناك ماء في الخزان، فسيُتوقف إنتاج البخار. الماء يحتاج إلى تجديد. للقيام بذلك، اتبع الخطوات التالية:
- إعادة تعبئة الخزان:

 1. فصل الجهاز عن مصدر الطاقة الرئيسي.
 2. اضغط على زناد البخار (7) واستمر في الضغط عليه حتى يتوقف إنتاج البخار.
 3. انتظري حتى يبرد الجهاز لمدة 20-12 دقيقة تقريباً، حسب كمية البخار المتبقية بالداخل.
 4. قم بفتح صمامولة القفل (1) ببضع وانتظري بضع ثوان حتى يتسرب البخار المتبقي.
 5. املا الخزان ببضع بالماء واخلطه من ماء الصنبور والماء المقطر. تأكد من عدم صب أكثر من 400 مل. (يوصى بـ 350 مل)
 6. أغلق صمامولة القفل (1) مرة أخرى.

التنظيف:

يحتوي منظم البخار على نظام حماية من الحرارة الزائدة. سيتم إيقاف تشغيله تلقائياً في حالة ارتفاع درجة حرارته. يرجى ملاحظة أن الجهاز قد ينكسر إذا تم استخدامه عدة مرات مع وجود خزان فارغ. تأكد من وجود كمية كافية من الماء في الخزان طوال الوقت أثناء التشغيل.

وصف واستخدام الملحقات:

د- فرشاة مسطحة

أدخل الفرشاة الكبيرة في فتحة الفرشاة المسطحة (C3) وأدراها في اتجاه عقارب الساعة حتى تسمع صوت نقرة (C3). يمكنها تنظيف الأسطح المسطحة مثل النوافذ وما إلى ذلك. بعد الاستخدام، قم بإزالة الفرشاة المسطحة عن طريق تدويرها عكس اتجاه عقارب الساعة.

لتنظيف المكاتب والكراسي والأرفف أو كي الملابس، ضعي منشفة بيضاء على فرشاة مسطحة (C3).

E فرشة كبيرة

الفرشة الكبيرة مفيدة عند تنظيف الزوايا.

للتزكيب، قم بتوصيل الطرف العريض للفرشة بمخرج البخار حتى يستقر مشبك الأمان في مكانه. (3ب) وار خرطوم التمديد.

إذا كان من الصعب الوصول إلى السطح الذي تحاول تنظيفه، استخدم خرطوم تمديد.

لتوصيل الطرف الأوسع للخرطوم بمنفذ البخار، قم بتوصيله بحيث يتم تثبيت مشبك الأمان في مكانه.

H.G. فرشاة من النايلون والفولاذ المقاوم للصدأ

أدخل الفرشة الكبيرة (E) في فتحة الفرشاة المستديرة (ثلاثية الأبعاد)، وأدراها في اتجاه عقارب الساعة حتى تسمع صوت نقرة (ثلاثية الأبعاد). بعد الاستخدام، قومي بإزالة الفرشاة المستديرة عن طريق تدويرها عكس اتجاه عقارب الساعة.

ك- أنبوب التمديد 3 × 3

في حالة صعوبة الوصول إلى منطقة التنظيف أو استخدام الجهاز لتنظيف الأرضيات أو الزجاج في الأماكن المرتفعة، يمكن استخدامه مع أنبوب تمديد. طريقة التشغيل هي كما يلي: قم بتوصيل طرف الامتداد بمخرج البخار حتى يتم تشغيل القفل المثبت بالكامل في فتح الامتداد (كما هو الحال مع الفرشة B3 الكبيرة) ويتم تثبيته في مكانه بصوت نقر. يتم تثبيت التجميع اكتمل. يرجى ملاحظة أن استخدام أنبوب التمديد سوف يخفض درجة حرارة البخار. اعتماداً على درجة حرارة الأنبوب، قد يختلف البخار الخارج من الفرشة.

1. فرشاة الأرضية

استخدم فرشاة الأرضية لتنظيف الأرضية.

قم بتوصيل التين أو ثلاثة من أسلاك التمديد (K) بالجهاز. يجب توصيل الطرف الآخر من أنابيب التمديد بفرشاة الأرضية. على جانبي الفرشاة، اضغط على الأزرار لفتح مشابك التثبيت، وأدخل منشفة الأرضية (L) في المشابك المفتوحة. بعد الاستخدام، قم بإزالة المنشفة وتجفيفها/غسلها قبل الاستخدام التالي.

تنظيف:

1. قبل التنظيف، فصل قابس التيار الكهربائي من المقبس.

2. اترك جهاز التنظيف بالبخار يبرد قبل تخزينه.

3. امسح جهاز التنظيف بالبخار وملحقته بقطعة قماش مبللة. دع جميع الأجزاء تجف تمامًا.

تخزين:

يجب أن تكون جميع الأجزاء جافة تمامًا قبل التخزين.

- قم دائماً بتخزين منظم البخار الخاص بك في مكان جاف ونظيف وخالي من الغبار.

- قم بتخزين جهاز التنظيف بالبخار مغلقاً وضعه بحيث يكون الجهاز بعيداً عن متناول الأطفال.

استكشاف الأخطاء وإصلاحها

مشكلة:

لا يخرج بخار من الفرشة

السبب: لم يتم إدخال القابس في مقبس الطاقة

الحل: قم بتوصيل الجهاز بمنفذ

السبب: عدم وجود ماء في الخزان.

الحل: صب الماء في الخزان.

السبب: عدم الضغط على زر البخار.

الحل: حرر قفل الأطفال واضغط على زر البخار.

مشكلة:

قسط الضوء الأخضر قيد التشغيل. الضوء الأحمر لا يعمل.

السبب: انطفأ الضوء.

الحل: استشر الخدمة المركزية.

مشكلة:

الضوء الأحمر مضاء دائماً، والضوء الأخضر لا يعمل.

السبب: كسر الأجزاء الكهربائية الداخلية أو تعطل منظم الحرارة.

الحل: استشر الخدمة المركزية.

مشكلة:

وميض الضوء الأحمر.
السبب: لا يوجد ماء أو ضعف الاتصال بالشبكة.
الحل: تأكد من أن الجهاز متصل بشكل صحيح ومتصل بالكامل بمصدر الطاقة الرئيسي. أضف الماء. إذا استمر الوميض، فاقطع بالخدمة المركزية.

مشكلة:
الماء يتدفق من الفوهة.
السبب: لا يُستخدم لفترة طويلة ويتكثف البخار الموجود في الفوهة/الملحقات.
الحل: ظاهرة طبيعية. اضغط على زر إطلاق البخار لمدة ثلاثين.
إذا كان الجهاز لا يزال يبعث الماء من الفوهة، فهذا يعني وجود كمية كبيرة من الماء في الجهاز.
إذا كان الماء لا يزال يتدفق من الفوهة بعد الاستخدام لفترة طويلة، فيرجى الاتصال بالخدمة المركزية.

مشاكل أخرى:
خروج البخار من الجهاز من أماكن أخرى غير فوهة البخار.
تشوه البلاستيك أو تليين البلاستيك.
بعد تفريغ الجهاز أو إطلاق البخار، يظل غطاء الأمان (1) غير قابل للفتح.
الحل: اتصل بالخدمة المركزية.

البيانات الفنية:
الجدول: 220-240 فولت ~ 60/50 هرتز
السعة: 400 مل
الطاقة: 1200 واط
الطاقة القصوى: 2000 واط



من أجل البيئة. ينبغي إلقاء أكياس التغليف المصنوعة من الورق المقوى والبولي إيثيلين (PE) في حاويات مناسبة مخصصة للتجميع الانتقائي للفايات البلدية وفقاً لوصفها. إذا كانت هناك بطاريات في الجهاز، فيجب إزالتها والتخلص منها بشكل منفصل في نقطة التجميع والتخزين. يجب إعادة الجهاز المستخدم إلى نقطة التجميع والتخزين المناسبة، حيث أن المواد الخطرة التي يحتوي عليها قد تشكل خطراً على الصحة والبيئة. تشير العلامة الموجودة على المنتج إلى أنه لا ينبغي التخلص من الجهاز مع الففايات البلدية. ففايات المعدات الكهربائية هي الففايات التي تحتوي على مواد ضارة بالإنسان والحيوان والبيئة. قد تؤدي هذه المواد إلى تلوث التربة أو الماء أو الهواء، وبالتالي قد تتدخل إلى جسم الإنسان وتؤدي إلى أمراض صحية عديدة، مثل: اضطرابات في الرؤية والسمع والنطق، كما قد تؤدي إلى تلف الكلى والكبد والغلب. وتسبب الأمراض الجلدية. كما أن المواد المضادة قد يكون لها تأثير سلبي على الجهازين التنفسي والانجابي وتؤدي إلى الإصابة بالسرطان. إن استهلاك النباتات التي تنمو في التربة المتضررة والمنتجات المشتقة منها قد يشكل خطراً على الأثاث الصحية المذكورة أعلاه. لا ترمي الجهاز في حاويات الففايات البلدية !!
الخدمة إذا كنت ترغب في شراء قطع غيار أو الإبلاغ عن أية شكوى، يرجى الاتصال بالبيع التي اصدر الإيصال مباشرة.

İstifadəçi təlimatı (AZ)

TƏHLÜKƏSİZLİK ŞƏRTLƏRİ Vacib TƏHLÜKƏSİZLİK TƏLİMATLARI LÜTFEN DİQQƏTLİ OXUYUN VƏ GƏLƏCƏK İSTİFADƏ ÜÇÜN SAXLAYIN

Cihaz kommersiya məqsədləri üçün istifadə edilərsə, zamanət şərtləri fərqlidir.

1. Məhsulu istifadə etməzdən əvvəl diqqətlə oxuyun və həmişə aşağıdakı təlimatlara əməl edin. İstehsalçı düzgün istifadə edilməməsi nəticəsində yaranan hər hansı zərərə görə məsuliyyət daşımır.
2. Məhsul yalnız daxili məkanda istifadə oluna bilər. Məhsulu təyinatı ilə uyğun gəlməyən məqsədlər üçün istifadə etməyin.
3. Tətbiq olunan gərginlik 230V, ~50Hz-dir. Təhlükəsizliyə görə birdən çox cihazı bir elektrik rozetkasına qoşmayın.
4. Uşaqlarla istifadə edərkən diqqətli olun. Uşaqların məhsulla oynamasına icazə verməyin. Uşaqların və ya cihazla tanış olmayan

insanların ondan nəzarətsiz istifadə etməsinə icazə verməyin.

5. XƏBƏRDARLIQ: Bu cihaz 8 yaşdan yuxarı uşaqlar və fiziki, hissiyyat və ya əqli imkanları zəif olan və ya cihaz haqqında təcrübəsi və ya biliyi olmayan şəxslər tərəfindən yalnız onların təhlükəsizliyinə cavabdeh olan şəxsin nəzarəti altında və ya cihazın təhlükəsiz istifadəsi ilə bağlı təlimatlandırılıb və onun istismarı ilə bağlı risklərdən xəbərdardırlar.

Uşaqlar cihazla oynamamalıdır. 8 yaşdan yuxarı olmayan və bu fəaliyyətlər nəzarət altında həyata keçirilmədikdə, cihazın təmizlənməsi və saxlanması uşaqlar tərəfindən həyata keçirilməməlidir.

6. Məhsulu istifadə etdikdən sonra həmişə unutmayın ki, rozetkadan əlinizlə tutaraq ştəpseli zərif şəkildə rozetkadan çıxarın. Heç vaxt elektrik kabelini çəkməyin!!!

7. Enerji mənbəyinə qoşulmuş məhsulu heç vaxt nəzarətsiz qoymayın. İstifadə qısa müddətə kəsilsə belə, onu söndürün və enerji təchizatını ayırın.

8. Heç vaxt elektrik kabelini, fişini və ya bütün cihazı suya qoymayın. Məhsulu heç vaxt birbaşa günəş işığı, yağış və s. kimi atmosfer şəraitinə məruz qoymayın. Məhsulu heç vaxt nəmli şəraitdə istifadə etməyin.

9. Elektrik kabelinin vəziyyətini vaxtaşırı yoxlayın. Elektrik kabeli zədələnsə, təhlükəli vəziyyətlərin qarşısını almaq üçün məhsul dəyişdirilmək üçün peşəkar xidmət mərkəzinə aparılmalıdır.

10. Əgər elektrik kabeli zədələnsə, yerə düşübsə və ya başqa şəkildə zədələnsə və ya düzgün işləmirsə, məhsulu heç vaxt istifadə etməyin. Qüsurlu məhsulu özünüz təmir etməyə çalışmayın, çünki bu, elektrik şoku ilə nəticələne bilər. Zədələnmiş cihaz həmişə təmir üçün peşəkar xidmət mərkəzinə aparılmalıdır. Bütün təmir işləri yalnız səlahiyyətli xidmət mütəxəssisləri tərəfindən həyata keçirilə bilər. Düzgün yerinə yetirilməmiş təmir istifadəçi üçün təhlükəli vəziyyətlərlə nəticələne bilər.

11. Məhsulu heç vaxt isti və ya isti səthlərin və ya elektrik sobası və ya qaz sobası kimi mətbəx cihazlarının üzərinə və ya yaxınına qoymayın.

12. Məhsulu heç vaxt alışan materialların yaxınlığında istifadə etməyin.

13. Şnurun tezgahın kənarından asılmasına icazə verməyin.

14. Cihaz həddindən artıq doldurularsa, qaynar su səpə bilər.

15. Buxar təmizləyicisini heç vaxt özünüzə, başqa insanlara, heyvanlara və ya elektrik cihazlarına, məsələn, sobalara yönəltməyin.
16. Siz cihazı yalnız orijinal aksesuarları ilə istifadə edə bilərsiniz.
17. Maşının açılışlarını bağlamayın və ya dəliklərə hər hansı əşyalar daxil etməyin.
18. Cihazı 45 dərəcədən çox əyməyin. Cihaz dik vəziyyətdə işləmək üçün nəzərdə tutulmuşdur.
19. Cihaza su tökməzdən əvvəl onu enerji təchizatından ayırın.
20. Cihazda istifadə olunan suya heç bir maddə əlavə etməyin: kireç təmizləyicilər, aromatik yağlar, təmizləyicilər.
21. Su çəni qapağının cihaza möhkəm vidalandığından əmin olun.



XƏBƏRDARLIQ: İSTİ BUX Yanma təhlükəsi

Cihaz təsviri:

1. Təhlükəsizlik xoruzu
2. Doldurma çuxuru
3. Qapaq kilidi
4. Buxar çıxışı
5. Göstərici işığı
6. Uşaq kilidi
7. Buxar buraxılışı
8. Elektrik rozetkəsi

Aksesuarlar: A. Quni x 1 B. Ölçü fincanı x 1 C. Dəsmal dəsti x 1 D. Yastı fırça x 1 E. Böyük başlıq x 1 F. Uzatma şlanqı x 1 G. Neylon fırça x 1 H. Paslanmayan polad fırça x 1 I. Döşəmə fırçası x 1 J. Döşəmə fırçası birləşdiricisi x1 K. Uzatma borusu x 3 L. Döşəmə fırçası dəsmal x1

QEYD: – Əvvəlcə gözə dəyməyən yerdə təmizləmək istədiyiniz materialın buxarla təmizləmə üçün uyğun olub olmadığını yoxlayın, məsələn:

Buxar laklanmış ağacın və ya dərinin solmasına səbəb ola bilər.

Qorunmayan ağac şişə bilər.

Buxar mumun qoruyucu təbəqələrini çıxara bilər.

Buxarın təsiri altında plastiklər rəngsizləşə bilər.

Yumşaq plastiklər buxara məruz qaldıqda deformasiyaya uğraya bilər.

Soyuq şüşə və ya güzgü səthləri isti buxarın təsiri altında çatlaya bilər.

– Buxar təmizləyicisini heç vaxt sudan başqa mayelərlə doldurmayın.

– Heç bir halda buxar təmizləyicisini və ya ayrı hissələrini qabyuyan maşına qoymayın. Məhv ediləcəkdir.

– Buxar təmizləyicisinin plastik hissələrində çatlar, çiplər və ya deformasiyalar varsa, ondan istifadəni dayandırın. Zədələnmiş hissələr yalnız müvafiq orijinal ehtiyat hissələri ilə əvəz edilməlidir.

– Buxar təmizləyicisini boş çənlə istifadə etməyin. Su çəni bitdikdə, həddindən artıq istiləşməmək üçün elektrik fişini çıxarın.

– Pəncərələri təmizləmək istəyirsinizsə, əvvəlcə onları qızdırmalısınız, məsələn, daha böyük bir səthə daha uzaqdan, sonra isə daha yaxın məsafədən.

– Sağlamlığa zərərli maddələri çıxarmağa çalışarkən əlcək, qoruyucu eynək və tənəffüs orqanlarını qoruyan vasitələrdən istifadə edin.

İlk istifadədən əvvəl:

Bütün qablaşdırma materiallarını və stikerləri cihazdan çıxarın. Cihazı təmiz və nəm parça ilə təmizləyin. Kilid qaykasını (1) saat

əqrəbinin əksinə çevirərək cihazı açın. Su ilə doldurun və suyu tökün. Bu, qurğunun içərisindən bütün zavod qalıqlarını və kirləri təmizləyəcək. Sonra normal işləməyə davam edin.

İstifadə:

1. Buxar təmizləyicisini quru və düz bir səthə qoyun və qoruyucu qapağı açın (1). Bunu etmək üçün qozunu möhkəm basıb saat yönünün əksinə çevirin.

2. Cihazı su ilə doldurmaq üçün ölçü qabından (B) və hunidən (A) istifadə edin. Maksimum tutum 400 ml-dir. Daha yaxşı performans və daha yüksək buxar istehsalı üçün 350 ml-ə qədər doldurmağı təklif edirik. Əgər çəndə 350 ml-dən çox su varsa, istifadənin ilk 2 dəqiqəsində buxarda bir qədər su ola bilər.

Xüsusi qeydlər:

Zəhmət olmasa təmiz sudan istifadə edin (kiçik bərk hissəciklər borunu bağlaya və ya maşının nasazlığına səbəb ola bilər)

Bölgənizdəki kran suyu sərt və ya çox sərtdirsə, krandan su və distillə edilmiş su qarışığından istifadə etməyi təklif edirik.

Xahiş edirik 150 ml-dən az su tökməyin.

3. Qapağı saat əqrəbi istiqamətində çevirərək bağlayın.

4. Elektrik fişini elektrik rozetkəsinə daxil edin. Qırmızı işıq isitməni bildirmək üçün yanacaq.

5. Yaşıl işıq yandıqda cihaz işə hazırdır. Nəzərə alın ki, əməliyyat zamanı qırmızı işıq yanıb sönmür. Zəhmət olmasa yalnız yaşıl işıq yandıqda istifadə edin. Əks halda, cihaz isti su damcılayacaq və püskürəcək.

6. Uşaq kilidini (6) açıq vəziyyətinə çevirin. Sonra buxar açarını (7) basın. Buxar cihazdan çıxmağa başlayacaq. Həmişə buxar təzyiqinə (7) basmağı unutmayın, siz buxar açarını (7) buraxdıqdan sonra uşaq kilidi (6) sönmüş vəziyyətinə qayıdacaq.

İşi bitirdikdən və ya su çənini boşaltdıqdan sonra:

İşi bitirdikdən sonra:

1. Cihazı elektrik şəbəkəsindən ayırın.

2. Buxar açarını (7) basın və buxar çıxmağı dayandırana qədər onu basıb saxlayın.

3. Cihazın içəridə qalan buxar miqdarından asılı olaraq təxminən 12-20 dəqiqə soyumasını gözləyin.

4. Kilid qaykəsini (1) yavaş-yavaş açın və nəmin cihazdan çıxmasını bir neçə dəqiqə gözləyin.

Çəndə artıq su yoxdursa, cihaz buxar istehsalını dayandıracaq. Suyun doldurulması lazımdır. Bunu etmək üçün aşağıdakı addımları yerinə yetirin:

Tankın doldurulması:

1. Cihazı elektrik şəbəkəsindən ayırın.

2. Buxar açarını (7) basın və buxar çıxmağı dayandırana qədər onu basıb saxlayın.

3. Cihazın içəridə qalan buxar miqdarından asılı olaraq təxminən 12-20 dəqiqə soyumasını gözləyin.

4. Bağlayıcı qaykanı (1) yavaş-yavaş açın və qalan buxarın çıxmasını üçün bir neçə saniyə gözləyin.

5. Yavaş-yavaş çəni su və ya kran suyu və distillə edilmiş su qarışığı ilə doldurun. 400 ml-dən çox tökmədiyinizə əmin olun.

(tövsiyə olunan 350 ml)

6. Kilid qaykəsini (1) yenidən bağlayın.

DİQQƏT:

Buxar təmizləyicisi həddindən artıq istidən qorunma sistemindədir. Həddindən artıq qızarsa, avtomatik olaraq sönməyəcək.

Nəzərə alın ki, boş bir çən ilə çox istifadə edildikdə cihaz xarabə ola bilər. Əməliyyat zamanı hər zaman tankda kifayət qədər su olduğundan əmin olun.

Aksesuarların təsviri və istifadəsi:

D. Düz fırça

Böyük başlığı düz fırçanın (3C) yuvasına daxil edin və klik səsi eşidənə qədər (3C) saat əqrəbi istiqamətində çevirin. Pəncərələr və s. kimi düz səthləri təmizləyə bilər. İstifadədən sonra düz fırçanı saat əqrəbinin əksinə fırladıb çıxarın.

Masa və stulları, rəfləri və ya paltarları ütüləmək üçün düz fırçaya ağ dəsmal çəkin (3C).

E. Böyük burun

Böyük başlıq küncləri təmizləyərkən faydalıdır.

Qoşmaq üçün təhlükəsizlik klipi yerinə oturana qədər başlığın enli ucunu buxar çıxışına birləşdirin. (3B)

F. Uzatma şlanqı

Təmizləməyə çalışdığınız səthə çatmaq çətindirsə, uzatma şlanqından istifadə edin.

Şlanqın daha geniş ucunu buxar çıxışına bağlamaq üçün onu təhlükəsizlik klipi yerinə oturacaq şəkildə birləşdirin.

G, H. Neylon və paslanmayan polad fırça

Böyük başlığı (E) yuvarlaq fırçanın (3D) kəsilməsinə daxil edin və klik (3D) eşidənə qədər onu saat əqrəbi istiqamətində çevirin.

İstifadədən sonra dairəvi fırçanı saat yönünün əksinə çevirərək çıxarın.

K. Uzatma borusu x 3

Təmizləmə sahəsinə daxil olmaq çətindir və ya cihaz yüksək yerlərdə döşəmələri və ya şüşələri təmizləmək üçün istifadə olunursa, uzatma borusu ilə istifadə edilə bilər. İşləmə üsulu aşağıdakı kimidir: bərkidilmiş qıfıl uzadmanın açılmasına tam daxil olana qədər (böyük 3B başlıqda olduğu kimi) və klik səsi ilə yerinə kilidlənənə qədər uzatmanın ucunu buxar çıxışına birləşdirin, montaj tamdır. Nəzərə alın ki, uzatma borusundan istifadə buxarın temperaturunu aşağı salacaq. Borunun temperaturundan asılı olaraq, burundan çıxan buxar dəyişə bilər.

I. Döşəmə fırçası

Döşəməni təmizləmək üçün bir fırça istifadə edin.

İki və ya üç uzatma kabelini (K) cihaza qoşun. Uzatma borularının digər ucunu döşəmə fırçasına bağlayın. Fırçanın yan tərəflərində montaj sxaclarını açmaq üçün düymələri basın, döşəmə dəsmalını (L) açıq sxaclarla daxil edin. İstifadədən sonra dəsmalı çıxarın və növbəti istifadədən əvvəl qurulayın/yuyun.

Təmizləmə:

1. Təmizləmədən əvvəl elektrik fişini rozetkadan ayırın.
2. Saxlamadan əvvəl buxar təmizləyicisinin soyumasına icazə verin.
3. Buxar təmizləyicisini və aksesuarları nəm parça ilə silin. Bütün hissələrin tamamilə qurumasına icazə verin.

Yaddaş:

Saxlamadan əvvəl bütün hissələr tamamilə qurudulmalıdır.

- Buxar təmizləyicini həmişə quru, təmiz və tozsuz yerdə saxlayın.

- Buxar təmizləyicisini kilidli vəziyyətdə saxlayın və cihazı uşaqların əli çatmayan yerdə yerləşdirin.

Problemlərin aradan qaldırılması

Problem:

Başlıqdan buxar çıxmır

Səbəb: fiş elektrik rozetkasına daxil edilməyib

Həll yolu: Cihazı rozetkaya qoşun

Səbəb: Çəndə su yoxdur.

Həll yolu: tanka su tökün.

Səbəb: Buxar düyməsi basılmayıb.

Həll yolu: Uşaq kilidini buraxın və buxar düyməsini basın.

Problem:

Yalnız yaşıl işıq yanır. Qırmızı işıq yanmır.

Səbəb: Işıq yandı.

Həll yolu: Mərkəzi Xidmətə müraciət edin.

Problem:

Qırmızı işıq həmişə yanır, yaşıl işıq yanmır.

Səbəb: Qırılan daxili elektrik hissələri və ya sınıq termostat.

Həll yolu: Mərkəzi Xidmətə müraciət edin.

Problem:

Sönən qırmızı işıq.

Səbəb: Su yoxdur və ya zəif şəbəkə bağlantısı.

Həll yolu: Cihazın düzgün qoşulduğunu və elektrik şəbəkəsinə tam qoşulduğunu yoxlayın. Su əlavə edin. Əgər titrəmə hələ də baş verirsə, Mərkəzi Xidmətlə əlaqə saxlayın.

Problem:

Burundan axan su.

Səbəb: Uzun müddət istifadə olunmur və başlıqdakı/aksesuardakı buxar kondensasiya olunur.

Həlli: Normal fenomen. Buxar buraxma düyməsini 2 saniyə basın.

Cihaz hələ də burundan su tökürsə, cihazda çox su var.

Uzun müddət istifadə etdikdən sonra burundan hələ də su axsa, mərkəzi xidmətlə əlaqə saxlayın.

Digər problemlər:

Cihazdan buxar başlığından başqa yerlərdən buxar çıxır.

Plastikin plastik deformasiyası və ya yumşaldılması.

Cihazı boşaltdıqdan və ya buxar buraxdıqdan sonra təhlükəsizlik qapağı (1) hələ də açıla bilmir.

Həll yolu: mərkəzi xidmətlə əlaqə saxlayın.

Texniki məlumatlar:

Gərginlik: 220-240V~ 50/60 Hz

Tutumu: 400 ml

Güc: 1200W

Maksimum güc: 2000 W



Ətraf mühit naminə. Karton qablaşdırma və polietilen (PE) torbalar onların təsvirinə uyğun olaraq məişət tullantılarının seçmə yığılması üçün nəzərdə tutulmuş müvafiq qablara atılmalıdır. Cihazda batareyalar varsa, onlar çıxarılmalı və ayrıca toplama və saxlama məntəqəsinə aparılmalıdır. İstifadə olunmuş cihaz müvafiq toplama və saxlama məntəqəsinə qaytarılmalıdır, çünki onun tərkibindəki təhlükəli maddələr sağlamlıq və ətraf mühit üçün təhlükə yarada bilər. Məhsulun üzərindəki işarə cihazın məişət tullantıları ilə birlikdə atılmaması lazım olduğunu göstərir. Tullantı elektrik avadanlıqları insan, heyvan və ətraf mühit üçün zərərli maddələr olan tullantılardır. Bu maddələr torpağın, suyun və ya havanın çirklənməsinə səbəb ola bilər və beləliklə də insan orqanizminə daxil olaraq çoxsaylı sağlamlıq xəstəliklərinə səbəb ola bilər, məsələn: görmə, eşitmə və niq pozğunluqları, həmçinin böyrək, qaraciyər və ürəyin zədələnməsinə, və dəri xəstəliklərinə səbəb olur. Zərərli maddələr təneffüs və reproduktiv sistemlərə də mənfi təsir göstərərək xərçəngə səbəb ola bilər. Şikayət olunan torpaqlarda bitən bitkilərin və onlardan alınan məhsulların istehlakı yuxarıda qeyd olunan sağlamlıq təsir riski yarada bilər. **Cihazı məişət tullantıları üçün konteynerlərə atmayın!**

Xidmət Əgər siz ehtiyat hissələri almaq və ya hər hansı şikayət barədə məlumat vermək istəyirsinizsə, lütfən, qəbz verən satıcı ilə birbaşa əlaqə saxlayın.

Manuali i përdorimit (SQ)

KUSHTET E SIGURISË UDHËZIME TË RËNDËSISHME TË SIGURISË JU LUTEM LEXOJENI ME KUJDES DHE MBANI PËR PËRDORIM TË ARDHMEN

Kushtet e garancisë janë të ndryshme nëse pajisja përdoret për qëllime komerciale.

1. Përpara përdorimit të produktit, lexoni me kujdes dhe ndiqni gjithmonë udhëzimet e mëposhtme. Prodhuesi nuk mban përgjegjësi për ndonjë dëmtim që vjen nga përdorimi jo i duhur.
2. Produkti mund të përdoret vetëm në ambiente të mbyllura. Mos e përdorni produktin për qëllime të papajtueshme me përdorimin e synuar.
3. Tensioni i aplikueshëm është 230V, ~50Hz. Për arsye sigurie, mos lidhni disa pajisje në një prizë elektrike.
4. Kini kujdes kur përdorni me fëmijët. Mos i lini fëmijët të luajnë me produktin. Mos lejoni që fëmijët ose njerëzit që nuk janë të njohur me pajisjen ta përdorin atë pa mbikëqyrje.
5. PARALAJMËRIM: Kjo pajisje mund të përdoret nga fëmijë mbi 8 vjeç dhe persona me aftësi të kufizuara fizike, shqisore ose mendore ose

mungesë përvojë ose njohuri për pajisjen vetëm nëse ata mbikëqyren nga një person përgjegjës për sigurinë e tyre ose janë udhëzohen për përdorimin e sigurt të pajisjes dhe janë të vetëdijshëm për rreziqet që lidhen me funksionimin e saj. Fëmijët nuk duhet të luajnë me pajisjen. Pastrimi dhe mirëmbajtja e pajisjes nuk duhet të kryhen nga fëmijët përveç nëse janë mbi 8 vjeç dhe këto aktivitete kryhen nën mbikëqyrje.

6. Pas përdorimit të produktit, mbani mend gjithmonë të hiqni butësisht spinën nga priza duke e mbajtur prizën me dorën tuaj. Asnjëherë mos e tërhiqni kordonin e rrymës!!!

7. Mos e lini kurrë produktin të lidhur me një burim energjie pa mbikëqyrje. Edhe nëse përdorimi ndërpritet për një kohë të shkurtër, ju lutemi fikeni dhe shkëputni furnizimin me energji elektrike.

8. Asnjëherë mos e vendosni kordonin elektrik, spinën ose të gjithë pajisjen në ujë. Asnjëherë mos e ekspozoni produktin ndaj kushteve atmosferike si rrezet e diellit direkte, shiu etj. Mos e përdorni kurrë produktin në kushte të lagështa.

9. Kontrolloni periodikisht gjendjen e kordonit të rrymës. Nëse kordoni i energjisë është i dëmtuar, produkti duhet të dërgohet në një qendër shërbimi profesional për zëvendësim për të shmangur situatat e rrezikshme.

10. Asnjëherë mos e përdorni produktin nëse kordoni i rrymës është i dëmtuar ose nëse ka rënë ose është dëmtuar ndryshe, ose nëse nuk funksionon siç duhet. Mos u përpiqni të riparoni vetë një produkt me defekt pasi kjo mund të rezultojë në goditje elektrike. Një pajisje e dëmtuar duhet të dërgohet gjithmonë në një qendër shërbimi profesional për riparim. Të gjitha riparimet mund të kryhen vetëm nga teknikë të autorizuar të shërbimit. Riparimet e kryera në mënyrë jo të duhur mund të rezultojnë në situata të rrezikshme për përdoruesin.

11. Asnjëherë mos e vendosni produktin mbi ose pranë sipërfaqeve të nxehta ose të ngrohta ose pajisjeve të kuzhinës si furrë elektrike ose djegës me gaz.

12. Asnjëherë mos e përdorni produktin pranë materialeve të ndezshme.

13. Mos lejoni që kordoni të varet mbi skajin e banakut.

14. Nëse pajisja është e tejmbushur, mund të spërkatet uji i vluar.
15. Asnjëherë mos e drejtoni pastruesin me avull drejt vetes, njerëzve të tjerë, kafshëve ose pajisjeve elektrike, p.sh.
16. Mund ta përdorni pajisjen vetëm me aksesore origjinale.
17. Mos i bllokoni hapjet në makinë dhe mos futni ndonjë objekt në vrima.
18. Mos e anoni pajisjen më shumë se 45 gradë. Pajisja është projektuar për të punuar në një pozicion vertikal.
19. Përpara se të derdhni ujë në pajisje, shkëputeni atë nga furnizimi me energji elektrike.
20. Mos shtoni asnjë substancë në ujin e përdorur në pajisje: agjentë pastruese, vajra aromatikë, agjentë pastrimi.
21. Sigurohuni që mbulesa e rezervuarit të ujit të jetë vidhosur fort në pajisje.



PARALAJMËRIM: AVULLI I NXETËR Rrezik djegieje

Përshkrimi i pajisjes:

1. Karin e sigurisë
2. Mbushja e vrimës
3. Bllokimi me kapak
4. Dalja e avullit
5. Drita treguese
6. Blloku për fëmijë
7. Lëshimi i avullit
8. Prizë elektrike

Aksesorët: A. Hinkë x 1 B. Kupë matëse x 1 C. Komplet peshqirësh x 1 D. Furçë e sheshtë x 1 E. Grykë e madhe x 1 F. Zorrë zgjatuese x 1 G. Furçë najloni x 1 H. Furçë inox x 1 I. Furçë dyshemeje x 1 J. Lidhës i furçës së dyshemesë x1 K. Tub zgjatues x 3 L. Peshqir furçe dyshemeje x1

SHËNIM: – Së pari, kontrolloni në një vend që nuk bie në sy nëse materiali që keni ndërmend të pastroni është i përshtatshëm për pastrim me avull, p.sh.:

Avulli mund të bëjë që druri ose lëkura e llakuar të zbehet.

Druri i pambrojtur mund të fryhet.

Avulli mund të heqë shtresat mbrojtëse të dyllit.

Plastika mund të zbardhet nën ndikimin e avullit.

Plastika e butë mund të deformohet kur ekspozohet ndaj avullit.

Sipërfaqet e ftohta të xhamit ose pasqyrës mund të plasariten nën ndikimin e avullit të nxehtë.

- Asnjëherë mos e mbushni pastruesin me avull me lëngje të tjera përveç ujit.
- Në asnjë rrethanë mos e vendosni pastruesin me avull ose pjesë të veçanta në pjatatarëse. Do të shkatërrohej.
- Ndalo përdorimin e pastruesit me avull nëse pjesët e tij plastike shfaqin çarje, gërvishtje ose deformime. Pjesët e dëmtuara duhet të zëvendësohen vetëm me pjesë rezervë të përshtatshme origjinale.
- Mos e përdorni pastruesin me avull me rezervuar bosh. Kur rezervuari i ujit mbaron, tërhiqeni spinën për të shmangur mbinxehjen.
- Nëse dëshironi të pastroni dritaret, fillimisht duhet t'i ngrohni ato, p.sh.

- Përdorni doreza, syze sigurie dhe mbrojtje të frymëmarrjes kur përipieni të largoni substanca të dëmshme për shëndetin.

Para përdorimit të parë:

Hiqni të gjitha materialet e paketimit dhe ngjitësit nga pajisja. Pastroni pajisjen me një leckë të pastër dhe të lagur. Hapni pajisjen duke e rrotulluar dadën e kyçjes (1) në drejtim të kundërt të akrepave të orës. Mbushni me ujë dhe derdhni ujin. Kjo do të heqë të gjitha mbetjet e fabrikës dhe papastërtitë nga brenda njësisë. Më pas vazhdoni të punoni normalisht.

Duke përdorur:

1. Vendoseni pastruesin me avull në një sipërfaqe të thatë dhe të sheshtë dhe hapni kapakun e sigurisë (1). Për ta bërë këtë, shtypni fort dado poshtë dhe rrotullojeni në drejtim të kundërt të akrepave të orës.
2. Përdorni kupën matëse (B) dhe hinkën (A) për të mbushur pajisjen me ujë. Kapaciteti maksimal është 400 ml. Ne sugjerojmë të mbushni deri në 350 ml për performancë më të mirë dhe prodhim më të lartë avulli. Nëse ka më shumë se 350 ml në rezervuar, avulli mund të përmbajë pak ujë për 2 minutat e para të përdorimit.

Shënime të veçanta:

Ju lutemi përdorni ujë të pastër (grimcat e vogla të ngurta mund të bllokojnë tubin ose të shkaktojnë dështim të makinës)

Nëse uji i rubinetit në zonën tuaj është i fortë ose shumë i fortë, ju sugjerojmë të përdorni një përzierje të ujit të rubinetit dhe ujit të distiluar.

Ju lutemi mos derdhni më pak se 150 ml ujë.

3. Mbyllni kapakun duke e rrotulluar në drejtim të akrepave të orës.

4. Futni spinën elektrike në prizën elektrike. Drita e kuqe do të ndizet për të treguar ngrohjen.

5. Kur drita jeshile ndizet, pajisja është gati për funksionim. Ju lutemi vini re se drita e kuqe do të ndizet dhe fiket gjatë funksionimit.

Ju lutemi përdorni vetëm kur drita jeshile është e ndezur. Përndryshe, pajisja do të pikojë dhe do të spërkasë ujë të nxehtë.

6. Kthejeni bllokimin e fëmijëve (6) në pozicionin e ndezur. Më pas shtypni këmbëzën e avullit (7). Avulli do të fillojë të dalë nga pajisja. Mos harroni të shtypni gjithmonë këmbëzën e avullit (7), kur të lëshoni këmbëzën e avullit (7) bllokuesi i fëmijëve (6) do të kthehet në pozicionin e fikur.

Pas përfundimit të punës ose zbrazjes së rezervuarit të ujit:

Pas përfundimit të punës:

1. Shkëputeni pajisjen nga furnizimi me energji elektrike.

2. Shtypni këmbëzën e avullit (7) dhe mbajeni të shtypur derisa avulli të ndalojë së prodhuari.

3. Prisi që pajisja të ftohet për afërsisht 12-20 minuta, në varësi të sasisë së avullit që mbetet brenda.

4. Zhvidhosni ngadalë dadën e kyçjes (1) dhe prisi disa minuta që lagështia të largohet nga pajisja.

Nëse nuk ka më ujë në rezervuar, pajisja do të ndalojë së prodhuari avull. Uji duhet të rimbushet. Për ta bërë këtë, ndiqni hapat e mëposhtëm:

Rimbushja e rezervuarit:

1. Shkëputeni pajisjen nga furnizimi me energji elektrike.

2. Shtypni këmbëzën e avullit (7) dhe mbajeni të shtypur derisa avulli të ndalojë së prodhuari.

3. Prisi që pajisja të ftohet për afërsisht 12-20 minuta, në varësi të sasisë së avullit që mbetet brenda.

4. Zhvidhosni ngadalë dadon mbyllëse (1) dhe prisi disa sekonda që avulli i mbetur të dalë.

5. Mbushni ngadalë rezervuarin me ujë ose një përzierje të ujit të rubinetit dhe ujit të distiluar. Sigurohuni që të mos derdhni më shumë se 400 ml. (rekomandohet 350 ml)

6. Mbyllni sërish dadën e kyçjes (1).

KUJDES:

Pastruesi me avull ka një sistem mbrojtjeje nga mbinxehja. Do të fiket automatikisht nëse mbinxehet. Ju lutemi vini re se pajisja mund të priset nëse përdoret shumë herë me një rezervuar bosh. Sigurohuni që të ketë ujë të mjaftueshëm në rezervuar gjatë gjithë kohës gjatë funksionimit.

Përshkrimi dhe përdorimi i aksesoreve:

D. Furçë e sheshtë

Fusni grykën e madhe në follenë e furçës së sheshtë (3C) dhe rrotullojeni në drejtim të akrepave të orës derisa të dëgjoni një klikim (3C). Mund të pastrojë sipërfaqe të sheshta si dritare, etj. Pas përdorimit, hiqni furçën e sheshtë duke e rrotulluar në drejtim të kundërt të akrepave të orës.

Për të pastruar tavolinat dhe karriget, raftet ose rrobat e hekurit, aplikoni një peshqir të bardhë në një furçë të sheshtë (3C).

E. Grykë e madhe

Gryka e madhe është e dobishme kur pastroni qoshet.

Për ta ngjitur, lidhni skajin e gjerë të grykës me daljen e avullit derisa kapësja e sigurisë të klikojë në vend. (3B)

F. Zorra zgjatuese

Nëse sipërfaqja që po përpiqeni të pastroni është e vështirë për t'u arritur, përdorni një zorrë zgjatuese.

Për të ngjitur skajin më të gjërë të zorrës në daljen e avullit, lidhni atë në mënyrë që kapësja e sigurisë të fiksohet në vend.

G, H. Furçë najloni dhe çelik inox

Fusni grykën e madhe (E) në prerjen e furçës së rrumbullakët (3D) dhe rrotullojeni në drejtim të akrepave të orës derisa të dëgjoni një klikim (3D). Pas përdorimit, hiqni furçën e rrumbullakët duke e rrotulluar në drejtim të kundërt të akrepave të orës.

K. Tub zgjatues x 3

Nëse zona e pastrimit është e vështirë për t'u aksesuar ose pajisja përdoret për pastrimin e dyshemeve ose xhamit në vende të larta, mund të përdoret me një tub zgjatues. Mënyra e funksionimit është si më poshtë: lidhni majën e zgjatuesit me daljen e avullit derisa bllokimi i fiksuar të jetë plotësisht i kyçur në hapjen e zgjatuesit (si në grykën e madhe 3B) dhe të kyçet në vend me një tingull klikimi, montimi është i plotë. Ju lutemi vini re se përdorimi i një tubi zgjatues do të ulë temperaturën e avullit. Në varësi të temperaturës së tubit, avulli që del nga gryka mund të ndryshojë.

I. Furça e dyshemesë

Përdorni një furçë dyshemeje për të pastruar dyshemenë.

Lidhni dy ose tre kordona zgjatues (K) me pajisjen. Lidhni skajin tjetër të tubave zgjatues në furçën e dyshemesë. Në anët e furçës, shtypni butonat për të hapur kapëset e montimit, futni peshqirin e dyshemesë (L) në kapëset e hapura. Pas përdorimit, hiqni peshqirin dhe thajeni/lajeni përpara përdorimit të radhës.

Pastrimi:

1. Përpara pastrimit, shkëputni spinën nga priza.
2. Lëreni pastruesin me avull të ftohet përpara se ta ruani.
3. Fshijeni pastruesin me avull dhe aksesoret me një leckë të lagur. Lërimi të gjitha pjesët të thahen plotësisht.

Magazinimi:

Të gjitha pjesët duhet të thahen plotësisht para ruajtjes.

- Ruani gjithmonë pastruesin tuaj me avull në një vend të thatë, të pastër dhe pa pluhur.

- Ruajeni pastruesin me avull të kyçur dhe vendoseni në mënyrë që pajisja të jetë jashtë mundësive të fëmijëve.

Zgjidhja e problemeve

Problemi:

Asnjë avull nuk del nga gryka

Shkaku: Spina nuk është futur në prizë

Zgjidhja: Fusni pajisjen në një prizë

Shkaku: Nuk ka ujë në rezervuar.

Zgjidhja: Hidhni ujë në rezervuar.

Shkaku: Butoni i avullit nuk është shtypur.

Zgjidhja: Lëshoni bllokimin e fëmijëve dhe shtypni butonin e avullit.

Problemi:

Vetëm drita jeshile është ndezur. Drita e kuqe nuk ndizet.

Shkaku: Drita është djegur.

Zgjidhja: Konsultohuni me Shërbimin Qendror.

Problemi:

Drita e kuqe është gjithmonë e ndezur, drita jeshile nuk ndizet.

Shkaku: Pjesët e brendshme elektrike të thyera ose termostati i prishur.

Zgjidhja: Konsultohuni me Shërbimin Qendror.

Problemi:

Drita e kuqe që vezullon.

Shkaku: Nuk ka ujë ose lidhje të dobët me rrjetin.

Zgjidhja: Kontrolloni që pajisja të jetë lidhur siç duhet dhe të jetë e lidhur plotësisht me energjinë elektrike. Shtoni ujë. Nëse dridhjet ende shfaqen, kontaktoni Shërbimin Qendror.

Problemi:

Uji që rrjedh nga gryka.

Shkaku: Nuk përdoret për një kohë të gjatë dhe avulli në grykë/aksesorë kondensohet.

Zgjdhja: Dukuri normale. Shtypni butonin e lëshimit të avullit për 2 sekonda.
Nëse pajisja ende nxjerr ujë nga hunda, ka shumë ujë në pajisje.
Nëse uji rrjedh nga gryka pas përdorimit të zgjatur, ju lutemi kontaktoni shërbimin qendror.

Probleme të tjera:

Avulli që del nga pajisja nga vende të tjera përveç grykës së avullit.

Deformimi ose zbutja plastike e plastikës.

Pas zbrazjes së pajisjes ose lëshimit të avullit, kapaku i sigurisë (1) ende nuk mund të hapet.

Zgjdhja: Kontaktoni shërbimin qendror.

Të dhënat teknike:

Tensioni: 220-240V~ 50/60 Hz

Kapaciteti: 400 ml

Fuqia: 1200 W

Fuqia maksimale: 2000 W



Për hir të mjedisit. Ambalazhet prej kartoni dhe qeset e polietilenit (PE) duhet të hidhen në kontejnerë të përshtatshëm të destinuar për grumbullimin selektiv të mbeturinave komunale në përputhje me përshkrimin e tyre. Nëse ka bateri në pajisje, ato duhet të hiqen dhe të dërgohen në një pikë grumbullimi dhe magazinimi veçmas. Pajisja e përdorur duhet të kthehet në një pikë të përshtatshme grumbullimi dhe magazinimi, pasi substancat e rrezikshme që përmban mund të përbëjnë një kërcënim për shëndetin dhe mjedisin. Shënimi në produkt tregon se pajisja nuk duhet të hidhet me mbeturinat komunale. Mbetjet e pajisjeve elektrike janë mbetje që përmbajnë substanca të dëmshme për njerëzit, kafshët dhe mjedisin. Këto substanca mund të çojnë në ndotjen e tokës, ujit ose ajrit, dhe kështu mund të hyjnë në trupin e njeriut dhe të çojnë në sëmundje të shumta shëndetësore, si: çrregullime të shikimit, dëgjimit dhe të folurit, si dhe mund të çojnë në dëmtime të veshkave, mëlçisë dhe zemrës. dhe shkaktojnë sëmundje të lëkurës. Substancat e dëmshme gjithashtu mund të kenë një efekt negativ në sistemin e frymëmarrjes dhe riprodhimit dhe të çojnë në kancer. Konsumimi i bimëve që rriten në tokat e ankuara dhe produkteve që rrjedhin prej tyre mund të përbëjnë rrezik për efektet e mësipërme shëndetësore. **Mos e hidhni pajisjen në kontejnerët e mbeturinave komunale!** **Shërbimi** Nëse dëshironi të blini pjesë këmbimi ose të raportoni ndonjë ankesë, ju lutemi kontaktoni drejtpërdrejt shitësin që ka lëshuar faturën.



ინსტრუქცია (KA)

უსაფრთხოების პირობები

უსაფრთხოების მნიშვნელოვანი ინსტრუქციები

გთხოვთ, ყურადღებით წაიკითხეთ და შეინახეთ შემდგომი გამოყენებისთვის

საგარანტიო პირობები განსხვავებულია, თუ მოწყობილობა გამოიყენება კომერციული მიზნებისთვის.

1. პროდუქტის გამოყენებამდე ყურადღებით წაიკითხეთ და ყოველთვის მიჰყევით ქვემოთ მოცემულ ინსტრუქციას.

მწარმოებელი არ არის პასუხისმგებელი არასათანადო გამოყენების შედეგად წარმოქმნილ ზიანს.

2. პროდუქტის გამოყენება დასაშვებია მხოლოდ შენობაში.

არ გამოიყენოთ პროდუქტი მის დანიშნულ გამოყენებასთან შეუთავსებელი მიზნებისთვის.

3. მოქმედი ძაბვა არის 230V, ~50Hz. უსაფრთხოების

მიზეზების გამო, არ შეაერთოთ რამდენიმე მოწყობილობა ერთ ელექტრო განყოფილებაში.

4. ფრთხილად იყავით ბავშვებთან გამოყენებისას. არ მისცეთ ბავშვებს საშუალება ეთამაშონ პროდუქტს. არ დაუშვათ ბავშვებს ან ადამიანებს, რომლებიც არ იცნობენ მოწყობილობას, გამოიყენონ იგი ზედამხედველობის გარეშე.

5. გაფრთხილება: ამ ხელსაწყოს გამოყენება შეიძლება 8 წელზე უფროსი ასაკის ბავშვებმა და დაქვეითებული ფიზიკური, სენსორული ან გონებრივი შესაძლებლობების მქონე პირებმა ან მოწყობილობის გამოცდილების ან ცოდნის ნაკლებობის მქონე პირებმა მხოლოდ იმ შემთხვევაში, თუ მათ ზედამხედველობას უწევს მათ უსაფრთხოებაზე პასუხისმგებელი პირი. აღჭურვილობის უსაფრთხო გამოყენების ინსტრუქცია და იცის მის მუშაობასთან დაკავშირებული რისკები. ბავშვებმა არ უნდა ითამაშონ მოწყობილობასთან. მოწყობილობის გაწმენდა და მოვლა არ უნდა ჩატარდეს ბავშვების მიერ, თუ ისინი არ არიან 8 წელზე უფროსი ასაკის და ეს აქტივობები ხორციელდება მეთვალყურეობის ქვეშ.

6. პროდუქტის გამოყენების შემდეგ ყოველთვის გახსოვდეთ, რომ ნაზად ამოიღეთ შტეფსელი სოკეტიდან ხელით დაჭერით. არასოდეს გაჭიმოთ დენის კაბელი!!!

7. არასოდეს დატოვოთ პროდუქტი, რომელიც დაკავშირებულია კვების წყაროსთან უყურადღებოდ. მაშინაც კი, თუ გამოყენება შეწყვეტილია მცირე ხნით, გამორთეთ და გამორთეთ ელექტრომომარაგება.

8. არასოდეს ჩადოთ დენის კაბელი, შტეფსელი ან მთელი მოწყობილობა წყალში. არასოდეს დაუშვათ პროდუქტი ატმოსფერულ პირობებში, როგორცაა მზის პირდაპირი სხივები, წვიმა და ა.შ. არასოდეს გამოიყენოთ პროდუქტი ტენიან პირობებში.

9. პერიოდულად შეამოწმეთ კვების კაბელის მდგომარეობა. თუ დენის კაბელი დაზიანებულია, პროდუქტი უნდა გადაიტანოთ პროფესიონალურ სერვის ცენტრში ჩასანაცვლებლად, რათა თავიდან აიცილოთ საშიში სიტუაციები.
10. არასოდეს გამოიყენოთ პროდუქტი, თუ დენის კაბელი დაზიანებულია, თუ ის ჩამოვარდა ან სხვაგვარად დაზიანდა, ან თუ ის არ მუშაობს გამართულად. არ შეეცადოთ თავად შეაკეთოთ გაუმართავი პროდუქტი, რადგან ამან შეიძლება გამოიწვიოს ელექტრო შოკი. დაზიანებული მოწყობილობა ყოველთვის უნდა წაიყვანოთ პროფესიონალურ სერვის ცენტრში შესაკეთებლად. ყველა შეკეთება შეიძლება შესრულდეს მხოლოდ ავტორიზებული სერვის ტექნიკოსის მიერ. არასწორად შესრულებულმა რემონტმა შეიძლება გამოიწვიოს მომხმარებლისთვის საშიში სიტუაციები.
11. არასოდეს მოათავსოთ პროდუქტი ცხელ ან თბილ ზედაპირებზე ან სამზარეულოს მოწყობილობებზე, როგორცაა ელექტრო დუმელი ან გაზის სანთურა.
12. არასოდეს გამოიყენოთ პროდუქტი აალეხადი მასალების მახლობლად.
13. არ დაუშვათ კაბელი დაკიდებული დახლის კიდეზე.
14. თუ მოწყობილობა ზედმეტად ივსება, მდულარე წყალი შეიძლება გაფრქვევდეს.
15. არასოდეს მიმართოთ ორთქლის გამწმენდს საკუთარ თავზე, სხვა ადამიანებზე, ცხოველებზე ან ელექტრო მოწყობილობებზე, მაგ.
16. თქვენ შეგიძლიათ გამოიყენოთ მოწყობილობა მხოლოდ ორიგინალური აქსესუარებით.
17. არ ჩაკეტოთ აპარატის ღიობები და არ ჩადოთ რაიმე საგნები ღიობებში.
18. არ დახაროთ მოწყობილობა 45 გრადუსზე მეტად.

მოწყობილობა შექმნილია ვერტიკალურ მდგომარეობაში მუშაობისთვის.

19. მოწყობილობაში წყლის ჩასხმამდე გამორთეთ ის დენის წყაროდან.

20. არ დაუმატოთ მოწყობილობაში გამოყენებულ წყალს რაიმე ნივთიერება: გამწმენდი საშუალებები, არომატული ზეთები, საწმენდი საშუალებები.

21. დარწმუნდით, რომ წყლის ავზის საფარი მყარად არის მიბმული მოწყობილობაზე.



გაფრთხილება: ცხელი ორთქლი დამწვრობის საშიშროება

მოწყობილობის აღწერა:

1. დამცავი მამალი
2. ნახვრეტის შევსება
3. ქუდის საკეტი
4. ორთქლის გამოსასვლელი
5. ინდიკატორის ნათურა
6. ბავშვის საკეტი
7. ორთქლის გამოშვება
8. დენის შტეფსელი

აქსესუარები: A. ძაბრი x 1 ბ. საზომი ჭიქა x 1 გ. პირსახოცების ნაკრები x 1 დ. ბრტყელი ფუნჯი x 1 ე. დიდი საქმენი x 1 ფ. გაფართოების შლანგი x 1 გ. ნეილონის ფუნჯი x 1 H. უჟანგავი ფოლადის ფუნჯი x 1 I. იატაკის ჯაგრისი x 1 J. იატაკის ჯაგრისის კონექტორი x1 K. გაფართოების მილი x 3 ლ. იატაკის ჯაგრისის პირსახოცი x1

შენიშვნა: – უპირველეს ყოვლისა, შეამოწმეთ შეუმჩნეველ ადგილას, არის თუ არა მასალა, რომლის გაწმენდასაც აპირებთ ორთქლით გასაწმენდად, მაგ.:

ორთქლმა შეიძლება გამოიწვიოს ლაქიანი ხის ან ტყავის გაცვეთება.

დაუცველი ხის შეიძლება ადიდებულმა.

ორთქლს შეუძლია ცვილის დამცავი ფენების მოცილება.

ორთქლის გავლენის ქვეშ პლასტმასები შეიძლება გაუფერულდეს.

რბილი პლასტმასი შეიძლება დეფორმირებული იყოს ორთქლის ზემოქმედებისას.

ცივი მინის ან სარკის ზედაპირები შეიძლება გაიბზაროს ცხელი ორთქლის გავლენის ქვეშ.

- არასოდეს შეავსოთ ორთქლის გამწმენდი წყლის გარდა სხვა სითხეებით.

- არავითარ შემთხვევაში არ ჩადოთ ორთქლის გამწმენდი ან ცალკეული ნაწილები ქურჭლის სარეცხ მანქანაში. განადგურდებოდა.

- შეწყვიტეთ ორთქლის გამწმენდის გამოყენება, თუ მის პლასტმასის ნაწილებს აქვს ბზარები, ჩიპები ან დეფორმაცია. დაზიანებული ნაწილები უნდა შეიცვალოს მხოლოდ შესაბამისი ორიგინალური სათადარიგო ნაწილებით.

- არ გამოიყენოთ ორთქლის გამწმენდი ცარიელ ავზთან ერთად. როდესაც წყლის ავზი ამოიწურება, გამოიღეთ ქსელის შტეფსელი, რათა თავიდან აიცილოთ გადახურება.

- თუ ფანჯრების გაწმენდა გსურთ, ჯერ უნდა გაათბოთ ისინი, მაგ., ორთქლი უფრო დიდი დისტანციიდან, შემდეგ კი უფრო ახლო მანძილიდან.

- ატარეთ ხელთათმანები, უსაფრთხოების სათვალეები და რესპირატორული დამცავი საშუალებები ჯანმრთელობისთვის მავნე ნივთიერებების მოცილების მცდელობისას.

პირველ გამოყენებამდე:

ამოიღეთ ყველა შესაფუთი მასალა და სტიკერები მოწყობილობიდან. გაწმინდეთ მოწყობილობა სუფთა და ნესტიანი ქსოვილით. გახსენით მოწყობილობა საკეტის თხილის (1) საათის ისრის საწინააღმდეგოდ მობრუნებით. შეავსეთ წყლით და დაასხით წყალი. ეს ამოიღებს ყველა ქარხნულ ნარჩენს და ჭუჭყს მოწყობილობის შიგნიდან. შემდეგ განაგრძეთ მუშაობა ჩვეულებრივად.

გამოყენება:

1. მოათავსეთ ორთქლის გამწმენდი მშრალ და ბრტყელ ზედაპირზე და გახსენით უსაფრთხოების თავსახური (1). ამისთვის კაკალი მტკიცედ დაჭერით ქვემოთ და საათის ისრის საწინააღმდეგოდ მოაბრუნეთ.

2. გამოიყენეთ საზომი ჭიქა (B) და ძაბრი (A) მოწყობილობის წყლით შესავსებად. მაქსიმალური მოცულობა 400 მლ. ჩვენ გირჩევთ შეავსოთ 350 მლ-მდე უკეთესი მუშაობისთვის და ორთქლის მაღალი წარმოებისთვის. თუ ავზში 350 მლ-ზე მეტია, ორთქლი შეიძლება შეიცავდეს წყალს გამოყენების პირველი 2 წუთის განმავლობაში.

სპეციალური შენიშვნები:

გთხოვთ, გამოიყენოთ სუფთა წყალი (წვრილმა მყარმა ნაწილაკებმა შეიძლება დაბლოკოს მილი ან გამოიწვიოს მანქანის უკმარისობა)

თუ თქვენს მხარეში ონკანის წყალი ხისტი ან ძალიან მყარია, გირჩევთ გამოიყენოთ ონკანის წყლისა და გამობდილი წყლის ნარევი.

გთხოვთ, არ დაასხით 150 მლ-ზე ნაკლები წყალი.

3. დახურეთ თავსახური საათის ისრის მიმართულებით მობრუნებით.

4. ჩასვით დენის მტყვსელი ელექტრო ბუდეში. წითელი შუქი ანათებს, რაც მიუთითებს გათბობაზე.

5. როდესაც მწვანე შუქი აინთება, მოწყობილობა მზად არის მუშაობისთვის. გთხოვთ გაითვალისწინოთ, რომ წითელი შუქი ჩაირთვება და ჩაქრება მუშაობის დროს. გთხოვთ გამოიყენოთ მხოლოდ მაშინ, როცა მწვანე შუქი ანათებს. წინააღმდეგ შემთხვევაში, მოწყობილობა ჩამოიწურება და შესაზურებს ცხელ წყალს.

6. ჩართეთ ბავშვის საკეტი (6). შემდეგ დააჭირეთ ორთქლის გამშვებს (7). ორთქლის გამოსვლა დაიწყება მოწყობილობიდან. დაიმანსოვრეთ, რომ ყოველთვის დააჭიროთ ორთქლის გამშვებს (7), როდესაც გაათავისუფლებთ ორთქლის გამშვებს (7), ბავშვის საკეტი (6) დაბრუნდება გამორთვის მდგომარეობაში.

სამუშაოს დასრულების ან წყლის ავზის დაცლის შემდეგ:

სამუშაოს დასრულების შემდეგ:

1. გამორთეთ მოწყობილობა დენის წყაროდან.

2. დააჭირეთ ორთქლის ჩამრთველს (7) და გააჩერეთ მანამ, სანამ ორთქლი არ გამომუშავდება.

3. დაელოდეთ მოწყობილობის გაგრილებას დაახლოებით 12-20 წუთის განმავლობაში, რაც დამოკიდებულია შიგნით დარჩენილი ორთქლის რაოდენობაზე.

4. ნელა გახსენით საკეტი თხილი (1) და დაელოდეთ რამდენიმე წუთს, სანამ ტენიანობა არ გამოვა მოწყობილობიდან.

თუ ავზში წყალი ადარ არის, მოწყობილობა შეწყვეტს ორთქლის გამომუშავებას. საჭიროა წყლის შევსება. ამისათვის მიჰყევით ქვემოთ მოცემულ ნაბიჯებს:

ავზის შევსება:

1. გამორთეთ მოწყობილობა დენის წყაროდან.

2. დააჭირეთ ორთქლის გამშვებს (7) და გააჩერეთ მანამ, სანამ ორთქლი არ გამომუშავდება.

3. დაელოდეთ მოწყობილობის გაგრილებას დაახლოებით 12-20 წუთის განმავლობაში, რაც დამოკიდებულია შიგნით დარჩენილი ორთქლის რაოდენობაზე.

4. ნელა გახსენით საკეტი კაკალი (1) და დაელოდეთ რამდენიმე წამს დარჩენილი ორთქლის გამოსვლამდე.

5. ნელა შეავსეთ ავზი წყლით ან ონკანის წყლისა და გამობდილი წყლის ნარევით. დარწმუნდით, რომ არ დაასხით 400 მლ-ზე მეტი. (რეკომენდირებულია 350 მლ)

6. კვლავ დახურეთ საკეტი კაკალი (1).

ყურადღება:

ორთქლის გამწმენდს აქვს გადახურებისგან დაცვის სისტემა. გადახურების შემთხვევაში ავტომატურად გამოირთვება. გთხოვთ გაითვალისწინოთ, რომ მოწყობილობა შეიძლება გაფუჭდეს, თუ ძალიან ბევრჯერ გამოიყენებთ ცარიელ ავზს. დარწმუნდით, რომ ავზში ყოველთვის არის საკმარისი წყალი ექსპლუატაციის

დროს.

აქსესუარების აღწერა და გამოყენება:

D. ბრტყელი ფუნჯი

ჩადეთ დიდი საქმენი ბრტყელი ფუნჯის ჭრილში (3C) და მოაბრუნეთ საათის ისრის მიმართულებით, სანამ არ გაიგონებთ დაწკაპუნებას (3C). მას შეუძლია გაწმინდოს ბრტყელი ზედაპირები, როგორცაა ფანჯრები და ა.შ. გამოყენების შემდეგ, ამოიღეთ ბრტყელი ფუნჯი საათის ისრის საწინააღმდეგოდ როტაციით. მერხებისა და სკამების, თაროების ან ტანსაცმლის გასარკვევად, წაისვით თეთრი პირსახოცი ბრტყელ ფუნჯზე (3C).

E. დიდი საქმენი

დიდი საქმენი სასარგებლოა კუთხეების გაწმენდისას.

დასამაგრებლად შეაერთეთ საქმენის ფართო ბოლო ორთქლის გამოსასვლელთან, სანამ დამცავი სამაგრი არ დაიჭრს თავის ადგილს. (3B)

F. გაფართოების შლანგი

თუ ზედაპირი, რომლის გაწმენდას ცდილობთ, ძნელად მისადგომია, გამოიყენეთ გაფართოების შლანგი. შლანგის უფრო ფართო ბოლოს ორთქლის გამოსასვლელთან დასამაგრებლად, შეაერთეთ იგი ისე, რომ დამცავი სამაგრი თავის ადგილზე მოხვდეს.

G, H. ნეილონის და უჟანგავი ფოლადის ფუნჯი

ჩადეთ დიდი საქმენი (E) მრგვალი ფუნჯის ამონაკვეთში (3D) და მოაბრუნეთ საათის ისრის მიმართულებით, სანამ არ გაიგონებთ დაწკაპუნებას (3D). გამოყენების შემდეგ ამოიღეთ მრგვალი ფუნჯი საათის ისრის საწინააღმდეგოდ მობრუნებით.

K. გაფართოების მილი x 3

თუ დასუფთავების ადგილი ძნელად მისადგომია ან მოწყობილობა გამოიყენება იატაკის ან შუშის გასაწმენდად მაღალ ადგილებში, მისი გამოყენება შესაძლებელია გაფართოების მილით. მუშაობის მეთოდი შემდეგია: შეაერთეთ გაფართოების წვერი ორთქლის გასასვლელთან, სანამ ფიქსირებული საკეტი სრულად არ ჩაერთვება გაფართოების გახსნაში (როგორც დიდი 3B საქმენი) და არ დაიბლოკება დაწკაპუნების წმით. არის სრული. გთხოვთ გაითვალისწინოთ, რომ გაფართოების მილის გამოყენება შეამცირებს ორთქლის ტემპერატურას. მილის ტემპერატურის მიხედვით, საქმენიდან გამომავალი ორთქლი შეიძლება განსხვავდებოდეს.

I. იატაკის ფუნჯი

იატაკის გასაწმენდად გამოიყენეთ ფუნჯი.

დააკავშირეთ მოწყობილობას ორი ან სამი გაფართოების კაბელი (K). მიამაგრეთ გაფართოების მილების მეორე ბოლო იატაკის ჯაგრისზე. ფუნჯის გვერდებზე დააჭირეთ დილაკებს სამონტაჟო დამჭერების გასასხნელად, ჩადეთ იატაკის პირსახოცი (L) დია დამჭერებში. გამოყენების შემდეგ ამოიღეთ პირსახოცი და გაიმშრალეთ/დაიბანეთ მომღვეწო გამოყენებამდე.

დასუფთავება:

1. გაწმენდამდე გამორთეთ ქსელის შტეფსელი სოკეტიდან.
2. ორთქლის გამწმენდი შენახვამდე გაცივდეს.
3. გაწმინდეთ ორთქლის გამწმენდი და აქსესუარები ნესტიანი ქსოვილით. მოდით, ყველა ნაწილი მთლიანად გამრეს.

შენახვა:

შენახვამდე ყველა ნაწილი მთლიანად მშრალი უნდა იყოს.

- ყოველთვის შეინახეთ ორთქლის გამწმენდი მშრალ, სუფთა და მჭვრისგან თავისუფალ ადგილას.
- შეინახეთ ორთქლის გამწმენდი დაკეტილ მდგომარეობაში და მოათავსეთ ისე, რომ მოწყობილობა ბავშვებისთვის მიუწვდომელია.

პრობლემების მოგვარება

პრობლემა:

საქმენიდან ორთქლი არ გამოდის

მიზეზი: შტეფსელი არ არის ჩასმული დენის ბუდეში

გამოსავალი: შეერთეთ მოწყობილობა განყოფილებაში მიზეზი: ავზში წყალი არ არის.

გამოსავალი: ჩაასხით წყალი ავზში.

მიზეზი: ორთქლის დილაკი არ არის დაჭერილი.

გამოსავალი: გაათავისუფლეთ ბავშვის საკეტი და დააჭირეთ ორთქლის დილაკს.

პრობლემა:

მხოლოდ მწვანე შუქი ანთებულია. წითელი შუქი არ ირთვება.

მიზეზი: შუქი დაიწვა.

გამოსავალი: მიმართეთ ცენტრალურ სამსახურს.

პრობლემა:

წითელი შუქი ყოველთვის ანთებულია, მწვანე შუქი არ ირთვება.

მიზეზი: გატეხილი შიდა ელექტრული ნაწილები ან გატეხილი თერმოსტატი.

გამოსავალი: მიმართეთ ცენტრალურ სამსახურს.

პრობლემა:

მბჟუტავი წითელი შუქი.

მიზეზი: არ არის წყალი ან ცუდი ქსელი.

გამოსავალი: შეამოწმეთ, რომ მოწყობილობა სწორად არის დაკავშირებული და სრულად არის დაკავშირებული ელექტროენერგიაზე. დაამატეთ წყალი. თუ ციმციმი მაინც მოხდა, დაუკავშირდით ცენტრალურ სამსახურს.

პრობლემა:

საქმენიდან წყალი მიედინება.

მიზეზი: არ გამოიყენება დიდი ხნის განმავლობაში და ორთქლი საქმენში/აქსესუარებში კონდენსირდება.

გამოსავალი: ნორმალური მოვლენა. დააჭირეთ ორთქლის გამოშვების დილაკს 2 წამის განმავლობაში.

თუ მოწყობილობა კვლავ ასხამს წყალს საქმენიდან, მოწყობილობაში ძალიან ბევრი წყალია.

თუ ხანგრძლივი გამოყენების შემდეგ საქმენიდან ჯერ კიდევ წყალი მოედინება, გთხოვთ დაუკავშირდეთ ცენტრალურ სამსახურს.

სხვა პრობლემები:

ორთქლი გამოდის მოწყობილობიდან ორთქლის საქმენის გარდა სხვა ადგილებიდან.

პლასტმასის დეფორმაცია ან დარბილება.

მოწყობილობის დაცვის ან ორთქლის გამოშვების შემდეგ უსაფრთხოების თავსახურის (1) გახსნა მაინც შეუძლებელია.

გამოსავალი: დაუკავშირდით ცენტრალურ სამსახურს.

ტექნიკური მონაცემები:

ძაბვა: 220-240V~ 50/60 Hz

მოცულობა: 400 მლ

სიმძლავრე: 1200 W

მაქსიმალური სიმძლავრე: 2000 W



გარემოს გულისთვის. მუყაოს შეფუთვა და პოლიეთილენის (PE) პარკები უნდა ჩაყარონ შესაბამის კონტეინერებში, რომლებიც განკუთვნილია მუნიციპალური ნარჩენების შერჩევითი შეგროვებისთვის მათი აღწერილობის შესაბამისად. თუ მოწყობილობაში არის ბატარეები, ისინი უნდა მოიხსნას და განადგურდეს ცალკე შეგროვებისა და შენახვის ადგილას. გამოყენებული მოწყობილობა უნდა დაბრუნდეს შესაბამის შეგროვებისა და შენახვის ადგილას, რადგან მასში შემავალმა სახიფათო ნივთიერებებმა შეიძლება საფრთხე შეუქმნას ჯანმრთელობას და გარემოს. პროდუქტზე მარკირება მიუთითებს, რომ მოწყობილობა არ უნდა გადაყაროს მუნიციპალურ ნარჩენებთან ერთად. ელექტრო მოწყობილობების ნარჩენები არის ნარჩენები, რომლებიც შეიცავს ადამიანის, ცხოველებისა და გარემოსთვის საზიანო ნივთიერებებს. ამ ნივთიერებებმა შეიძლება გამოიწვიოს ნიადაგის, წყლის ან ჰაერის დაბინძურება და, ამრიგად, შეიძლება შევიდეს ადამიანის ორგანიზმში და გამოიწვიოს ჯანმრთელობის მრავალი დაავადება, როგორცაა: მხედველობის, სუნის და მეტყველების დარღვევა, ასევე შეიძლება გამოიწვიოს თირკმლების, ღვიძლისა და გულის დაზიანება. და იწვევს კანის დაავადებებს. მყენ ნივთიერებებმა შესაძლოა უარყოფითი გავლენა მოახდინოს რესპირატორულ და რეპროდუქციულ სისტემებზე და გამოიწვიოს კიბო. საჩივარ ნიადაგებზე მზარდი მცენარეების და მათგან მიღებული პროდუქტების მოხმარებამ შეიძლება გამოიწვიოს ზემოაღნიშნული

ჯანმრთელობის ზემოქმედების რისკი. არ ჩააგდოთ მოწყობილობა მუნიციპალური წარჩენების კონტეინერებში!!
სერვისი თუ გასურთ შეიძინოთ სათადარიგო ნაწილები ან შეატყობინოთ რაიმე საჩივრებს, გთხოვთ, დაუკავშირდეთ უშუალოდ გამყიდველს, რომელმაც გასცა ქვითარი.

KARTA GWARANCYJNA

WARUNKI GWARANCJI obowiązują na terenie Rzeczypospolitej Polskiej

Adler Sp. z o.o. ul. Orłona 2a 01-237 Warszawa zapewnia Użytkownika o dobrej jakości sprzętu, na który wydana jest niniejsza karta gwarancyjna i udziela 24 miesięcznej gwarancji, która liczy się od daty zakupu sprzętu. Usługi gwarancyjne świadczone są po okazaniu prawidłowo wypełnionej karty gwarancyjnej. Wady lub uszkodzenia sprzętu ujawnione w okresie gwarancji usuwane będą bezpłatnie przez Serwis Centralny. W przypadku zakupu sprzętu przez przedsiębiorcę (faktura VAT) okres gwarancji wynosi 12 miesięcy.

Powyższy zapis nie dotyczy jednoosobowych działalności gospodarczych, o ile rodzaj zakupionego sprzętu, nie jest związany z profilem prowadzonej działalności gospodarczej – weryfikacja w CEIDG.

W przypadku wymiany rzeczy na nową, albo po dokonaniu istotnej naprawy, okres gwarancji biegnie na nowo od chwili dostarczenia klientowi rzeczy wolnej od wad, lub zwrócenia rzeczy naprawionej. Jeżeli gwarant wymienił część rzeczy, przepis powyższy stosuje się odpowiednio do części wymienionej. Gwarant zobowiązuje się pokryć koszty dostarczenia rzeczy do serwisu na adres wskazany w karcie gwarancyjnej. Jednakże uprawniony z gwarancji powinien zachować rozsądek, wybierając środek transportu. Uprawnionemu z gwarancji nie przysługuje od gwaranta zwrot kosztów dostarczenia towaru – rzeczy do naprawy gwarancyjnej, przekraczający ekonomicznie uzasadnione koszty przewozu.

UWAGA: Sprzęt przeznaczony jest wyłącznie do użytku domowego. Naprawami gwarancyjnymi nie są objęte czynności związane z odkamienianiem, konserwacją, czyszczeniem urządzenia oraz części i akcesoria ulegające zużyciu przy normalnym użytkowaniu. Gwarancja nie obejmuje mechanicznych uszkodzeń sprzętu oraz wad i uszkodzeń wynikłych wskutek:

- niewłaściwego lub niezgodnego z instrukcją użytkowania, przechowywania i konserwacji;
- ingerencji nieautoryzowanego serwisu, samowolnych napraw, przeróbek i zmian konstrukcyjnych;
- użycia niewłaściwych materiałów eksploatacyjnych.
- uszkodzeń mechanicznych, termicznych, chemicznych i powstałych na skutek przepięcia w sieci.
- karta gwarancyjna jest nieważna bez daty zakupu, pieczęci sprzedającego i kopii dokumentu zakupu.
- gwarancją nie są objęte elementy eksploatacyjne i akcesoria w tym: elementy szklane (np. dzbanki, talerze), sznury przyłączeniowe, sieciowe, żarówki, baterie, nożyki i folie do urządzeń tnących, nasadki miksujące, trzepaki, mieszaki, ssawkoszczotki, rury, węże, kubki miksujące, głowice tnące i sita.

Reklamowany sprzęt jest dostarczany do Serwisu Centralnego przez Klienta w stanie kompletnym i odpowiednio zabezpieczony na czas transportu. Po dokonanej naprawie reklamowany sprzęt odbierany jest z Serwisu Centralnego przez Klienta.



adnotacje serwisu:

SERWIS CENTRALNY
01-237 Warszawa ul.Orłona 2A
tel. 728 - 595 - 006
serwis@adler.com.pl www.adler.com.pl

.....
(data sprzedaży)
.....
(pieczęćka sklepu i podpis sprzedawcy)

Termin usunięcia wady może zostać wydłużony o czas potrzebny do importu niezbędnych części, nie dłuższy niż 30 dni roboczych. W każdym takim przypadku warsztat serwisowy powiadomi klienta o wydłużeniu terminu naprawy gwarancyjnej. W związku z koniecznością sprowadzenia części zamiennych i poinformuje o nowym terminie usunięcia wady.

W przypadku stwierdzenia usterki należy ją zgłosić w punkcie sprzedaży lub w Serwisie Centralnym, ul. Orłona 2A, 01-237 Warszawa, tel. 728-595-006 lub e-mail: serwis@adler.com.pl.

W zgłoszeniu proszę podać swój adres, nr telefonu i opis usterki. Do reklamacji konieczne jest dołączenie kopii dokumentu zakupu. Gwarancja nie wyłącza ani nie ogranicza oraz nie zawieszka uprawnień kupującego wynikających z przepisów o rękojmi za wady rzeczy sprzedanej.

W trosce o środowisko..

Opakowania kartonowe oraz worki polietylenowe (PE) należy wrzucać do odpowiednich pojemników przeznaczonych do selektywnej zbiórki odpadów komunalnych zgodnie z ich opisem. Jeżeli w urządzeniu znajdują się baterie, należy je wyjąć i osobno oddać do punktu zbierania i składowania. Zużyte urządzenia należy oddać do odpowiedniego punktu zbierania i składowania, gdyż znajdujące się w nim niebezpieczne substancje mogą stanowić zagrożenie dla zdrowia i środowiska. Oznaczenie umieszczone na produkcie wskazuje, że urządzenia nie należy wyrzucać do pojemnika z odpadami komunalnymi.

Zużyty sprzęt elektryczny, to odpady, które zawierają substancje szkodliwe dla ludzi, zwierząt i środowiska. Substancje te mogą doprowadzić do zanieczyszczenia gleby, wody lub powietrza, a poprzez to mogą się dostać do organizmu człowieka i doprowadzić do licznych dolegliwości zdrowotnych, takich jak: zaburzenia wzroku, słuchu, mowy, mogą również doprowadzić do uszkodzenia nerek, wątroby i serca, oraz wywołać choroby skóry. Substancje szkodliwe mogą mieć również niekorzystny wpływ na układ oddechowy i rozrodczy oraz doprowadzić do zmian nowotworowych. Spożycie roślin rosnących na skażonych glebach, oraz produktów powstałych z nich może grozić w/w skutkami zdrowotnymi.

ADLER

EUROPE



Electric Kettle
AD 1282



Burr Coffee Grinder
AD 4450



Milk Frother
AD 4491



Sandwich Maker
AD 3055



TOASTER 2 SLICE
AD 3222



ELECTRIC GRILL
AD 3052



CITRUS JUICER
AD 4009



PERSONAL BLENDER
AD 4081



FOOD PROCESSOR
AD 4224



MIXER
AD 4225



AIR FRYER
AD 6310



PASTEURIZATION POT
AD 4496



AIR CONDITIONER
AD 7916



AIR HUMIDIFIER
AD 7966



FAN HEATER
AD 7725



KITCHEN SCALE
AD 3166



AFTER SALE SERVICE NOTICE

GB	If you want to buy spare parts or make any complaints, please contact the seller who issued the receipt directly.
DE	Wenn Sie Ersatzteile kaufen oder reklamieren möchten, wenden Sie sich bitte direkt an den Verkäufer, der die Quittung ausgestellt hat.
FR	Si vous souhaitez acheter des pièces de rechange ou faire des réclamations, veuillez contacter directement le vendeur qui a émis le reçu.
ES	Si desea comprar repuestos o presentar alguna queja, comuníquese directamente con el vendedor que emitió el recibo.
PT	Se você quiser comprar peças de reposição ou fazer alguma reclamação, entre em contato diretamente com o vendedor que emitiu o recibo.
LT	Jei norite įsigyti atsarginių dalių ar pateikti nusiskundimą, susisiekite tiesiogiai su kvitą išdavusiu pardavėju.
LV	Ja vēlaties iegādāties rezerves daļas vai izteikt pretenzijas, lūdzu, sazinieties tieši ar pārdevēju, kurš izsniedza čeku.
EST	Kui soovite osta varuosi või esitada pretensioone, võtke otse ühendust kvitungi väljastanud müüjaga.
HU	Ha pótkatkrészeket szeretne vásárolni, vagy panaszt szeretne tenni, forduljon közvetlenül a bizonyslatot kiállító eladóhoz.
BS	Ako želite kupiti rezervne dijelove ili napraviti reklamaciju, obratite se direktno prodavaču koji je izdao račun.
RO	Если вы хотите купить запчасти или предъявить какие-либо претензии, пожалуйста, свяжитесь напрямую с продавцом, выдавшим чек.
CZ	Chcete-li zakoupit náhradní díly nebo uplatnit jakoukoli reklamaci, kontaktujte přímo prodejce, který účtenku vystavil.
RU	Dacă doriți să cumpărați piese de schimb sau să faceți vreo reclamație, vă rugăm să contactați direct vânzătorul care a emis chitanța.
GR	Εάν θέλετε να αγοράσετε ανταλλακτικά ή να κάνετε οποιαδήποτε παράπονα, επικοινωνήστε απευθείας με τον πωλητή που εξέδωσε την απόδειξη.
MK	Ako sakate da kupite rezervni delovi ili da podnesete kakvi bilo poplaka, kontaktirajte direktno sa prodavacot koj ja izdal smetkata.
NL	Als u reserveonderdelen wilt kopen of een klacht wilt indienen, neem dan rechtstreeks contact op met de verkoper die de bon heeft afgegeven.
SL	Če želite kupiti nadomestne dele ali vložiti reklamacije, se obrnite neposredno na prodajalca, ki je izdal račun.
FI	Jos haluat ostaa varaosia tai tehdä valituksia, ota yhteyttä suoraan kuitin antaneeseen myyjään.
PL	W przypadku chęci zakupu części zamiennych lub zgłoszenia ewentualnych reklamacji należy kontaktować się bezpośrednio ze sprzedawcą, który wystawił paragon.
IT	Se desidero acquistare pezzi di ricambio o presentare reclami, contatta direttamente il venditore che ha emesso la ricevuta.
HR	Se desidero acquistare pezzi di ricambio o presentare reclami, contatta direttamente il venditore che ha emesso la ricevuta.
SV	Om du vill köpa reservdelar eller göra några reklamationer, vänligen kontakta säljaren som utfärdat kvittot direkt.
DK	Hvis du ønsker at købe reservedele eller reklamere, bedes du kontakte sælgeren, som har udstedt kvitteringen, direkte.
UA	Якщо ви хочете придбати запчастини або подати будь-які претензії, зверніться безпосередньо до продавця, який видав чек.
SR	Ako želite da kupite rezervne delove ili da uložite reklamaciju, obratite se direktno prodavcu koji je izdao račun.
SK	Ak si chcete kúpiť náhradné diely alebo uplatniť akúkoľvek reklamáciu, kontaktujte priamo predajcu, ktorý účtenku vystavil.
AR	إذا كنت ترغب في شراء قطع غيار أو تقديم أي شكوى ، فيرجى الاتصال بالبايع الذي أصدر الإيصال مباشرة.
BG	Ako iskate da zakupite rezervni delovi ili da napravite reklamaciju, obratite se direktno sa prodavaca, kojito e izdal kasovata belezka.
AZ	Ehtiyat hissələri almaq və ya hər hansı şikayət etməklə istəyirsinizsə, qəbz verən satıcı ilə birbaşa əlaqə saxlayın.
ALB	Nëse dëshironi të blini pjesë këmbimi ose të bëni ndonjë ankesë, ju lutemi kontaktoni drejtpërdrejt shitësin që ka lëshuar faturën.
KA	თუ გსურთ სათადარიგო ნაწილების შეძენა ან რაიმე პრობლემა, გთხოვთ დაუკავშირდეთ გამყიდველს, რომელმაც გასცა ქვითარი პირდაპირ.