

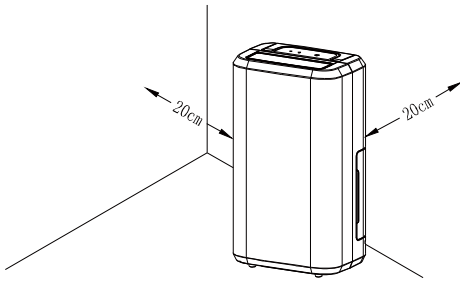
ADLER

EUROPE

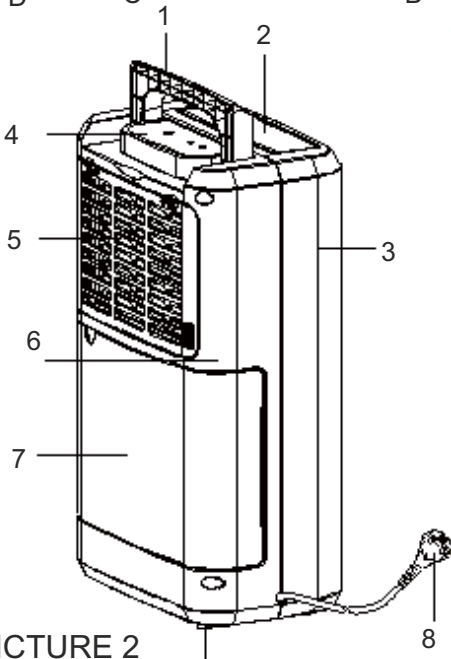
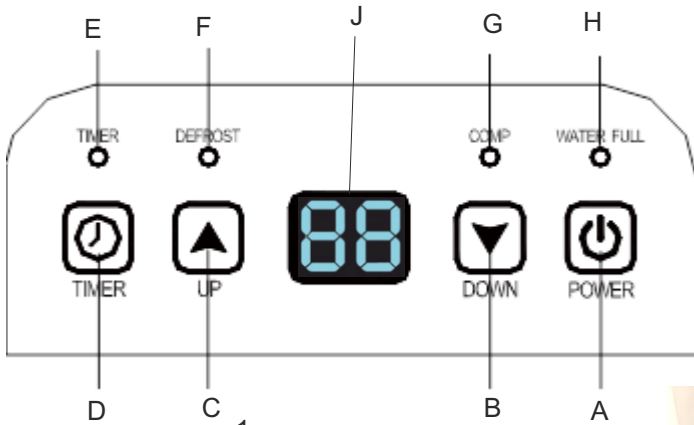


AD 7861

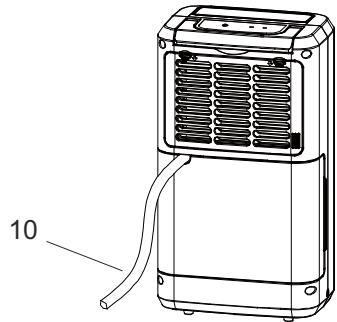
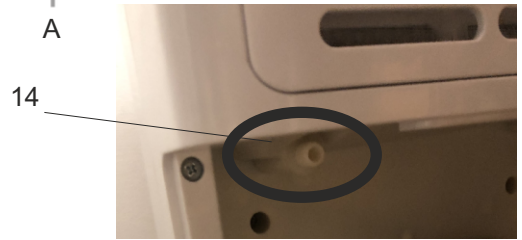
- | | |
|--------------------------------------|-------------------------------------|
| (GB) user manual - 5 | (DE) bedienungsanweisung - 9 |
| (FR) mode d'emploi - 13 | (ES) manual de uso - 17 |
| (PT) manual de serviço - 22 | (LT) naudojimo instrukcija - 26 |
| (LV) lietošanas instrukcija - 30 | (EST) kasutusjuhend - 34 |
| (HU) felhasználói kézikönyv - 47 | (BS) upute za rad - 43 |
| (RO) Instrucțiunea de deservire - 38 | (CZ) návod k obsluze - 72 |
| (RU) инструкция обслуживания - 55 | (GR) οδηγίες χρήσεως - 79 |
| (MK) упатство за корисникот - 100 | (NL) handleiding - 84 |
| (SL) navodila za uporabo - 68 | (FI) manwal ng pagtuturo - 51 |
| (PL) instrukcja obsługi - 109 | (IT) istruzioni operative - 60 |
| (HR) upute za uporabu - 64 | (SV) instruktionsbok - 92 |
| (DK) brugsanvisning - 75 | (UA) інструкція з експлуатації - 96 |
| (SR) Корисничко упутство - 88 | (SK) Používateľská príručka - 105 |
| (AR) دليل التعليمات - 116 | (BG) Инструкция за употреба - 120 |
| (AZ) Təlimat kitabçası - 125 | (ALB) manuali i perdoruesit - 129 |
| (KA) ინსტრუქცია - 133 | |



PICTURE 1



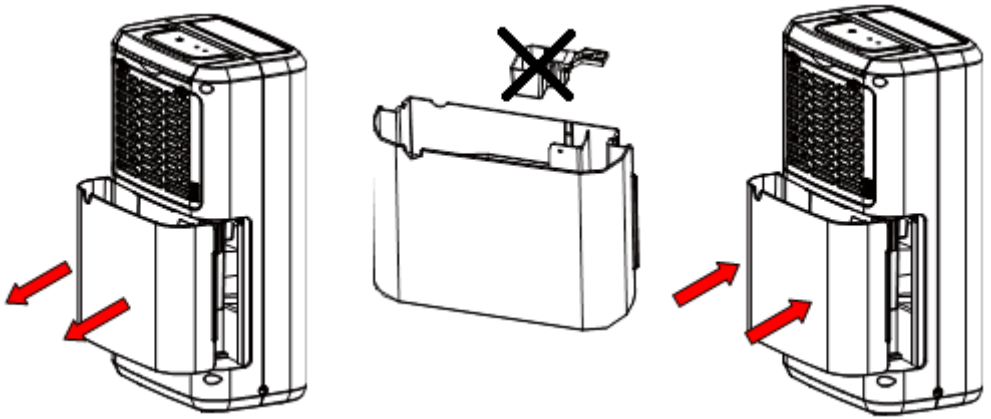
PICTURE 2



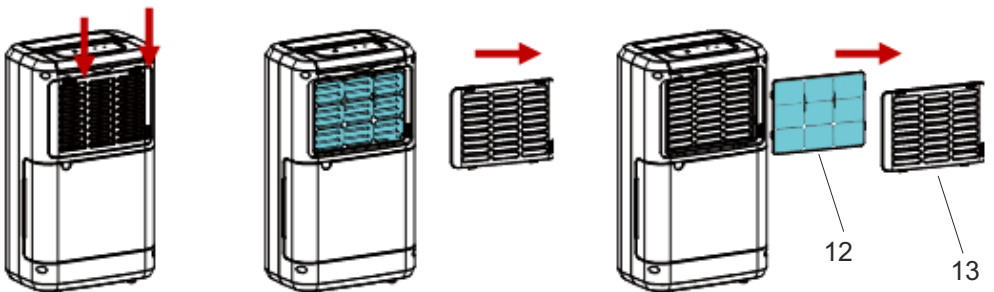
PICTURE 3



PICTURE 4



PICTURE 5



PICTURE 6



GB	DO NOT COVER« INSCRIPTION IMPORTANCE The inscription on the device means that the device is not to be covered with clothing, blankets and other textile products which could cause ignition.
DE	NICHT ABDECKEN" - BESCHRIFTUNG WICHTIGKEIT Die Beschriftung auf dem Gerät bedeutet, dass das Gerät nicht mit Kleidungsstücken, Decken und anderen Textilien bedeckt werden darf, die eine Entzündung verursachen können.
FR	NE PAS COUVRIR" - IMPORTANCE DE L'INSCRIPTION L'inscription sur l'appareil signifie que l'appareil ne doit pas être recouvert de vêtements, couvertures ou autres produits textiles pouvant provoquer une inflammation.
ES	"NO CUBRIR": IMPORTANCIA DE LA INSCRIPCIÓN La inscripción en el dispositivo significa que el dispositivo no debe cubrirse con ropa, mantas y otros productos textiles que podrían causar una ignición.
PT	"NÃO COBRIR" - IMPORTÂNCIA DA INSCRIÇÃO A inscrição no dispositivo significa que o dispositivo não deve ser coberto com roupas, cobertores e outros produtos têxteis que possam causar ignição.
LT	„NEGALIMA" - ĮRAŠYMAS SVARBU Įrašas ant prietaiso reiškia, kad prietaisas neturi būti padengtas drabužiais, antklodėmis ir kitais tekstilės gaminiais, kurie gali sukelti uždegimą.
LV	"NEIZMANTOJĒT" - UZRAUDĪBAS SVARĪBA Ieraksts uz ierīces nozīmē, ka ierīce nav pārklāta ar apģērbu, segām un citiem tekstilizstrādājumiem, kas var izraisīt aizdegšanos.
EST	„ÄRGE KASUTADA" - SISELJUHATUS TÄHELEPANU Seadmel olev pealkiri tähendab, et seadet ei tohi kanda riideid, tekke ega muid tekstiiltooteid, mis võivad põhjustada süttimist.
HU	„NE HASZNÁLON" - FELHASZNÁLÁSI FORTOSSÁG A készülék felirata azt jelenti, hogy a készüléket nem borítja ruházat, takaró és egyéb textiltermékek, amelyek gyulladást okozhatnak.
BS	"NEMOJTE POKLOPITI" - NAPOMENA ZNAČAJ Natpis na uređaju znači da se uređaj ne smije prekriti odjećom, dekama i drugim tekstilnim proizvodima koji bi mogli izazvati paljenje.
RO	"NU ÎNTRÊȚI" - IMPORTANTĂ INSCRIȚIE Inscipția pe dispozitiv înseamnă că dispozitivul nu trebuie acoperit cu îmbrăcăminte, pățuri și alte produse textile care ar putea provoca aprinderea.
CZ	NEKLIDUJTE" - DŮLEŽITĚ NÁPRAVY Nápis na zařízení znamená, že zařízení nesmí být pokryté oděvy, přikrývkami a jinými i textilními výrobky, které by mohly způsobit vznícení.
RU	«НЕ ПОКРЫВАЙТЕ» - ВНИМАНИЕ НАДПИСЬ Надпись на устройстве означает, что устройство не должно быть покрыто одеждой, одеялами и другими текстильными изделиями, которые могут вызвать возгорание.
GR	"ΜΗΝ ΚΑΛΥΡΑΤΕ" - ΕΓΓΡΑΦΗ Σημασία Η εγγραφή στη συσκευή σημαίνει ότι η συσκευή δεν πρέπει να καλύπτεται με ρούχα, κοβέρτες και άλλα κλωστοϋφαντουργικά προϊόντα που θα μπορούσαν να προκαλέσουν ανάφλεξη.
MK	"НЕ ПОВРЗАНИ" - ВАЖНОСТ ЗА НАПРЕДУВАЊЕ Нapisот на уредот значи дека уредот не треба да се покрива со облека, ќебиња и други текстилни производи што може да предизвикаат палење.
NL	"DO NOT covers" - opschrift BELANG De inscriptie op het apparaat betekent dat het apparaat niet te worden bedekt met kleding, dekens en andere textielproducten die ontbranding kan veroorzaken.
SL	Ne pokrivajte - NAPISNI POMEMBNI napis Napis na napravi pomeni, da naprave ne prekrivajte z oblačili, odejami in drugimi tekstilnimi izdelki, ki bi lahko povzročili žvig.
FI	"ÄLÄ KÄÄNTÄ" - KUVUUS TÄRKEÄÄ Laitteen merkintä tarkoittaa, että laitetta ei saa peittää vaatteilla, peitteillä ja muilla tekstiilituotteilla, jotka voivat aiheuttaa syyttymistä.
PL	OSTRZEŻENIE: W celu uniknięcia przegrzania – nie przykrywać ogrzewacza Napis na urządzeniu oznacza, że urządzenia nie należy przykrywać odzieżą, kocami i innymi wyrobami tekstylnymi, które mogą spowodować zapłon.
IT	"Non coprire" - ISCRIZIONE IMPORTANZA L'iscrizione sul dispositivo significa che il dispositivo non deve essere coperto con vestiti, coperte e altri prodotti tessili che potrebbero causare l'accensione.
HR	"NEMOJTE POKLOPITI" - NAPISI VAŽNOST Natpis na uređaju znači da uređaj ne smije biti prekriven odjećom, pokrivačima i drugim tekstilnim proizvodima koji bi mogli izazvati paljenje.
SV	"INTE SKYDD" - INSCRIPTION IMPORTANCE Inskriften på enheten innebär att enheten inte ska täckas med kläder, filter och andra textilprodukter som kan orsaka tändning.
DK	"DÆKK IKKE" - INSCRIPTION IMPORTANCE Indskriften på enheden betyder, at enheden ikke skal være dækket af tøj, tæpper og andre tekstilvarer, der kan forårsage tænding.
UA	"НЕ ПОКРИТТЯ" - ВАЖЛИВІСТЬ ВІДЗНАЧЕННЯ Нapis на пристрої означає, що пристрій не повинен бути покритий одягом, ковдрами та іншими текстильними виробами, які можуть викликати займання.
SR	"NEMOJTE POKLOPITI" - NAPOMENA ZNAČAJ Natpis na uređaju znači da uređaj ne treba da bude prekriven odežom, ћебадима и другим текстилним производима који могу izazvati палење.
SK	"NEZAPŔŔAJTE" - DŮLEŽITĚ UPOZORNENIE Nápis na prístroji znamená, že zariadenie by nemalo byť pokryté oblečením, prikrývkami a inými textilnými výrobkami, ktoré by mohli spôsobiť zapálenie.
AR	لا تغطوا الجهاز بملابس أو أغطية نارية أو غيرها من المنتجات النارية. لا تغطوا الجهاز بملابس أو أغطية نارية أو غيرها من المنتجات النارية.
BG	НЕ ПОКРИВАЙТЕ «ВАЖНОСТ НА НАДПИСА Надпись на устройството означава, че устройството не трябва да бъде покрито с дрехи, одеяла и други текстилни продукти, които могат да причинят запалване.
AZ	ÖRÜLMƏYİN« YAZIĞININ ƏNƏMLİYƏTİ Cihazın üzərindəki yazı cihazın alışmağa səbəb ola biləcək paltar, ədal və digər tekstil məhsulları ilə örtülməməsi deməkdir.
ALB	MOS MBUSH « RËNDËSIA E MBISHKRIMIT Mbishkrimi në pajisje do të thotë që pajisja nuk duhet të mbulohet me veshje, batanije dhe produkte të tjera tekstil që mund të shkaktojnë ndezje.
KA	არ დაფაროთ « წარწერის მნიშვნელობა მოწყობილობაზე წარწერა ნიშნავს, რომ მოწყობილობა არ უნდა დაიფაროს ტანსაცმლით, საბნებით და სხვა ტექსტილის პროდუქტებით, რამაც შეიძლება გამოიწვიოს ანთება.

SAFETY CONDITIONS. IMPORTANT INSTRUCTIONS ON SAFETY OF USE
PLEASE READ CAREFULLY AND KEEP FOR FUTURE REFERENCE

1. Before using the device, read the operating manual and follow the instructions contained in it. The manufacturer is not liable for damages caused by using the device contrary to its intended purpose or improper operation.
2. The device is for home use only. Do not use for other purposes that are not for its intended purpose.
3. The device should only be connected to an AC outlet with a grounded 220 240V ~ 50Hz. To increase operational safety, multiple electrical devices should not be connected to one current circuit at the same time.
4. Use extreme caution when using the device when children are nearby. Do not allow children to play with the device, do not allow children or people unfamiliar with the device to use it.
5. **WARNING:** This equipment may be used by children over 8 years of age and people with limited physical, sensory or mental ability, or people who have no experience or knowledge of the equipment, if this is done under the supervision of a person responsible for their safety or have been granted them information on the safe use of the device and are aware of the dangers of using it. Children should not play with the equipment. Cleaning and maintenance of the device should not be performed by children, unless they are over 8 years old and these activities are carried out under supervision.
6. Always disconnect the power plug by holding the socket with your hand after use. **DO NOT** pull on the power cord.
7. Do not immerse the cable, plug and the whole device in water or any other liquid. Do not expose the device to atmospheric conditions (rain, sun, etc.) or use in conditions of high humidity (bathrooms, damp mobile homes).
8. Periodically check the condition of the power cord. If the power cord is damaged, it should be replaced by a specialist repair shop to avoid danger.
9. Do not use the appliance with a damaged power cord or if it has been dropped or damaged in any other way or if it is not working properly. Do not repair the device yourself, as there is a risk of electric shock. Take the damaged device to an appropriate service center for checking or repair. All repairs may only be carried out by authorized service points. Incorrectly performed repairs can cause serious danger for the user.
10. Place the device on a cool, stable surface, away from hot kitchen appliances such as: electric stove, gas burner, etc.
11. Make sure that nothing is blocking the air inlet and outlet of the device
12. Use the device only on a level surface to prevent the condensation from spilling out
13. To provide additional protection, it is advisable to install a residual current device (RCD) in the electric circuit with a rated residual current not exceeding 30mA. Ask an electrician for this.

14. Clean the air filter regularly. The frequency of cleaning depends on the cleanliness of the air.
15. After turning off the machine, wait at least 5 minutes before turning it back on.
16. For effective dehumidification, a gap of at least 20 cm should be used between the side walls of the devices and the compressed furniture or curtains.
17. To avoid the risk of fire or explosion, do not spray the dryer
18. To use the housing parts, do not place the dehumidifier near heating devices.
19. Remove the water collected in the tank. Accidentally drinking water or using it with other people may cause illness.
20. Does not support devices with the back cover removed due to moving and hot parts.
21. Do not use any means to carry out the thawing or operating process other than those recommended by the manufacturer.
22. The device should be available as part of a permanent list of ignition sources, i.e. without open flame, without a working gas device or without a working device heater.
23. Do not pierce or smoke.
24. Please note that refrigeration manufacturers may not contain fragrance.

Before first use:

1. The dehumidifier must be used on a level and stable surface, keep distances between unit and other objects according to picture 1 to ensure suitable efficiency. Close all windows and doors of room you want to dehumidify the air.
2. To prevent the water from freezing, do not use the dehumidifier and the drain hose at ambient temperature below 0°C
3. Do not use the dehumidifier outside. Exposure to direct sunlight or rain may result in overheating, electric shock and fire.
4. Do not put water tank on the dehumidifier to avoid any spill of water into the unit inside and deteriorates the insulation.
5. Never attempt to use the dehumidifier for special uses, such as food dehumidification or preservation of art objects, or the like.
6. Do not use the dehumidifier where any leakage of oil or flammable gas may take place. Do not use the unit in places subject to chemicals.
7. For continuous draining, make sure that the drain hose is set properly with slope.
8. Be careful that a heating appliance is not exposed to the wind from the dehumidifier.
9. Do not use the dehumidifier as a chair or a footstool.
10. Do not remove the float lever from the water tank.
11. Do not block up the air intakes and the air outlets.
12. Do not cover the unit with washed clothes.
13. Prior to continuous operation for a long duration, periodical checking is required especially for the air clean filter, the drain hose, or the like.
14. The device shall be installed, operated and stored in a room with a floor area larger than 4 square meters and in a room with a well-ventilated area.
15. Never put your fingers, rods, into the air outlet and inlet.

Product description: AD7861 Air dehumidifier (picture 2)

- | | | |
|--------------------------|------------------------------------|--------------------|
| 1. Handle for easy carry | 2. Air outlet | 3. Back housing |
| 4. Control panel | 5. Air inlet | 6. Front housing |
| 7. Water tank 2.0L | 8. Power cord | 9. Foot |
| 10. Drain hose | 11. Float lever | 12. Net air filter |
| 13. Filter grid | 14. Continuous water drainage port | |

control panel

- | | |
|-------------------------------------|-------------------------------------|
| A. Power button | B. Desired humidity decrease button |
| C. Desired humidity increase button | D. Timer 0-24 hours button |
| E. Timer indicator | F. self-defrost indicator |
| G. Compressor activity indicator | H. Full water tank indicator |
| J. Digital "88" indicator | |

The digital "88" indicator (J) will show:

- selected desired humidity level in range: 30-90 percent of relative humidity (RH)

- hours in range: 1-24, when you program delayed start or delayed stop
- "LO" – means low, when the environment humidity is lower than 35%
- "HI" - means high, when the environment humidity is higher than 95%,

USAGE

1. Plug in the device.
2. Press the power button (A) to start operation, the digital "88" indicator (J) will be lighted on. Press the power button (A) again to stop operation.
3. Press the bottom (C) or (D) to set the desired humidity level in the room, which can be set from 30% to 90% at 5% intervals or "CO". After a period of working:
 - when environment humidity is lower than the selected humidity by 2%, compressor will stop,
 - when environment humidity is equal to or higher than the selected humidity by 3%, the compressor will restart once 3-minute compressor protection time over.

4. TIMER FUNCTION

Press the timer button (D) is the program the time:

- when the device is turned on to set up the delayed stop function:
Repeatedly pressing of the timer button (D) adjust desired time, it will be circulate from 0-1-2.....23-24. The time indicator (E) will be lighted on. The device will stop operation when desired time passed.
 - when the device is turned off to set up the delayed start function:
Repeatedly pressing of the timer button (D) adjust desired time, it will be circulate from 0-1-2.....23-24. The time indicator (E) will be lighted on. The device will start operation when desired time passed.
- To cancel the timer programming, press the timer button (D) to zero.
The programmed time remains unchanged if the machine stops to work due to full water tank or during self-defrosting.

5. WATER TANK DRAINAGE

When the water tank (7) is full, the indicator (H) light up, the operation will stop automatically and the buzzer will beep 15 times to alert the user, that the water need to be emptied from the water tank (7). Look at pictures 4 and 5. The water drainage procedure is:

- Lightly press on the sides of the tank (7) with both hands and pull the tank out gently.
- Pour out the collected water. If the water tank (7) is dirty, wash it with cold or lukewarm water.

REMARK: Do not remove the float laver (11) from the water tank (7). The built-in full water sensor will no longer be able to detect the water level correctly without the float laver (11) and the device will stop operation.

- When putting back the water tank (7), press the tank firmly into place with both hands. If the tank is not positioned properly, the built-in full water sensor will be not activated, so the dehumidifier will not operate.

6. CONTINUOUS WATER DRAINAGE FUNCTION

When setting the humidity level to "CO" on digital display (J), the compressor will run continuously. The user can:

6.a. connect the drain hose (10)

If the user connects the drain hose (10), the water will drain out continuously to sink / bathtub or other outside container you will set up. The device features a continuous water drainage port (14) - look at picture 3. It is need to take out the water tank (7) to assemble the drain hose (10) to the continuous water drainage port (14). The drain hose (10) (with an inner diameter of 10mm) should be put on the port (14) drain hole shown at picture 3. The water can be continuously drained out from the port (14).

6.b. do not connect the drain hose (10).

If the user doesn't connect the drain hose (10), the water will drain to the water tank (7). When the water tank (7) be full, the device will stop operation automatically.

7. AUTO DEFROST FUNCTION

When frost builds up on the built-in evaporator coil, the compressor will cycle off and the device will go in to self-defrost mode automatically. Following completion of the defrost mode, the device will return to the previously operating settings. When the device is running in a room with a temperature between 5 degree of Celsius and 12 degree of Celsius, it will enter self-defrost mode roughly every 30 minutes. When the device is running in a room with a temperature between 12 degree of Celsius and 20 degree of Celsius, it will enter the self-defrost mode roughly every 45 minutes.

Cleaning and Maintenance

1. Turn off the unit and disconnect the power plug before starting any cleaning or other routine maintenance.
2. To avoid the risk of electric shock, never sprinkle or spill water on the dehumidifier when cleaning.
3. Turn off the device and empty the water out of the water tank before moving the device. Be sure to hold by the handle while moving.
4. Wipe up the housing of the device with wet cloth.
5. Don't dismantle the floater (11) from the water tank (7). To clean the water tank (7) do not use detergent, scouring pads, chemically treated dust cloths, gasoline, benzene, thinner, or other solvents, as these can scratch and damage the tank and cause water leakage.
6. Prior to planned continuous operation for a long duration, periodical checking is required especially for the net air filter (12) and the drain hose (10).
7. To clean or replace the filters should be:

- disconnect the plug and take out the water tank (7),
 - remove the grid (13) as shown at picture 6,
 - remove the net air filter (12) gently from the filter grid (13),
 - clean filter every two weeks with a vacuum cleaner. Run a vacuum cleaner lightly over the surface of the air filter (12) to remove dirt. If the air filter (12) is exceptionally dirty, wash it with warm water and a mild cleanser and dry thoroughly. Dehumidification performance may decrease when the filter is clogged with debris.
 - put the filter inside the filter grid and assemble them back into the device housing.
8. Don't clean the device with gasoline, thinner or liquid detergent.
9. Storage: when the device is not being used for a long period of time and you want to store it note the following steps:
- Empty any water left in the water tank.
 - Fold up the power supply cord (8) and put it inside the water tank (7) inside.
 - Clean the net air filter (12).
 - Storage in a cool and dry place.

TROUBLE SHOOTING

If a condition listed below occurs, please check the following items before calling customer service.

Problem 1: The device does not operate.

Possible reason 1: Has the power cord been disconnected?

Solution of problem: Plug the power cord into the outlet.

Possible reason 2: Is the full water tank indicator (H) blinking?

Solution of problem: The tank is full or in a wrong position. Empty the water tank (7) and then re-position the tank.

Possible reason 3: Is the temperature of the room above 35 degree of Celsius or below 5 degree of Celsius?

Solution of problem: Built-in protection device is activated and the dehumidifier cannot be started in the temperature of the room above 35 degree of Celsius or below 5 degree of Celsius.

Problem 2: The dehumidifying function does not work

Possible reason 1: Is the net air filter (12) clogged?

Solution problem 1: Clean the air filter as instructed under "Cleaning and Maintenance" – point 7.

Possible reason 2: Is the air inlet (5) or the air outlet (2) obstructed?

Solution of problem: Remove the obstruction.

Problem 3: No air is discharged.

Possible reason 1: Is the net air filter (12) clogged?

Solution of problem: Clean the air filter as instructed under "Cleaning and Maintenance" - point 7.

Problem 4: Operation is noisy

Possible reason 1: Is the device tilted or unsteady positioned?

Solution of problem: Move the device to a stable, even, sturdy surface.

Possible reason 2: Is the net air filter (12) clogged?

Solution of problem: Clean the air filter as instructed under "Cleaning and Maintenance" - point 7.

Problem 5: E1 Code shown on the digital indicator (J)

Possible reason 1: Coil sensor short circuit or open circuit

Solution of problem: Contact the seller who issued you purchase bill.

TECHNICAL DATE:

Dehumidify capacity at 30°C / 80% RH): 10 liters / 24 hours

Noise level: <= 42dB(A)

Water tank capacity: 2.0 liters

Airflow: 150m3/hour

R290 coolant weight: 45 grams

Rated Input Power: 280W

Power supply: 220-240V ~50Hz



Caution, risk of fire.
 Do NOT pierce or burn.
 Be aware that the refrigerant may not contain an odor.
 Device shall be installed, operated and stored in a room with a floor area larger than 4 m.².
 The maximum refrigerant charge amount: 45g.



Please transfer cardboard packaging to waste paper. Pour the polyethylene bags (PE) into the plastic container
 Worn device should be returned to the appropriate point storage because it is dangerous in the device
 ingredients may pose a threat to the environment. The electrical device should be handed over to limit
 its reuse and use. If in the device there are batteries you have to take out and give to the point stored separately.

ALLGEMEINE SICHERHEITSVORSCHRIFTEN
WICHTIGE SICHERHEITSHINWEISE SORGFÄLTIG DURCHLESEN UND FÜR DIE
ZUKUNFT AUFBEWAHREN

1. Lesen Sie vor dem Gebrauch des Geräts die Bedienungsanleitung und befolgen Sie die darin enthaltenen Anweisungen. Der Hersteller haftet nicht für Schäden, die durch nicht bestimmungsgemäßen Gebrauch oder unsachgemäßen Betrieb des Gerätes verursacht werden.
2. Das Gerät ist nur für den Heimgebrauch bestimmt. Verwenden Sie es nicht für andere Zwecke, die nicht für den vorgesehenen Zweck bestimmt sind.
3. Das Gerät darf nur an eine Netzsteckdose mit 220-240 V ~ 50 Hz angeschlossen werden. Um die Betriebssicherheit zu erhöhen, sollten nicht mehrere elektrische Geräte gleichzeitig an einen Stromkreis angeschlossen werden.
4. Seien Sie äußerst vorsichtig, wenn Sie das Gerät in der Nähe von Kindern verwenden. Erlauben Sie Kindern nicht, mit dem Gerät zu spielen. Erlauben Sie Kindern oder Personen, die mit dem Gerät nicht vertraut sind, nicht, es zu benutzen.
5. **WARNUNG:** Dieses Gerät darf von Kindern über 8 Jahren und Personen mit eingeschränkten körperlichen, sensorischen oder geistigen Fähigkeiten oder Personen ohne Erfahrung oder Kenntnis des Geräts verwendet werden, wenn dies unter Aufsicht einer verantwortlichen Person erfolgt zu ihrer Sicherheit oder ihnen wurden Informationen über den sicheren Gebrauch des Geräts erteilt, und sie sind sich der Gefahren bei der Verwendung des Geräts bewusst. Kinder sollten nicht mit dem Gerät spielen. Die Reinigung und Wartung des Geräts darf nur von Kindern durchgeführt werden, die älter als 8 Jahre sind und diese Tätigkeiten unter Aufsicht ausführen.
6. Ziehen Sie nach dem Gebrauch immer den Netzstecker, indem Sie die Steckdose mit der Hand festhalten. NICHT am Netzkabel ziehen.
7. Tauchen Sie das Kabel, den Stecker und das gesamte Gerät nicht in Wasser oder andere Flüssigkeiten. Setzen Sie das Gerät keinen atmosphärischen Bedingungen aus (Regen, Sonne usw.) und verwenden Sie es nicht bei hoher Luftfeuchtigkeit (Badezimmer, feuchte Mobilheime).
8. Überprüfen Sie regelmäßig den Zustand des Netzkabels. Wenn das Netzkabel beschädigt ist, sollte es von einer Fachwerkstatt ausgetauscht werden, um Gefahren zu vermeiden.
9. Verwenden Sie das Gerät nicht mit einem beschädigten Netzkabel oder wenn es fallen gelassen oder auf andere Weise beschädigt wurde oder wenn es nicht richtig funktioniert. Reparieren Sie das Gerät nicht selbst, da die Gefahr eines Stromschlags besteht. Bringen Sie das beschädigte Gerät zur Überprüfung oder Reparatur zu einem geeigneten Servicecenter. Alle Reparaturen dürfen nur von autorisierten Servicestellen durchgeführt werden. Durch unsachgemäße Reparaturen können ernsthafte Gefahren für den Benutzer entstehen.
10. Stellen Sie das Gerät auf eine kühle, stabile Oberfläche, entfernt von heißen

Küchengeräten wie Elektroherd, Gasbrenner usw..

11. Stellen Sie sicher, dass nichts den Lufteinlass und -auslass des Geräts blockiert
12. Verwenden Sie das Gerät nur auf einer ebenen Fläche, damit kein Kondenswasser austreten kann
13. Um einen zusätzlichen Schutz zu gewährleisten, wird empfohlen, im Stromkreis einen Fehlerstromschutzschalter (RCD) mit einem Bemessungsfehlerstrom von nicht mehr als 30 mA zu installieren. Bitten Sie einen Elektriker darum.
14. Reinigen Sie den Luftfilter regelmäßig. Die Häufigkeit der Reinigung hängt von der Luftreinheit ab.
15. Warten Sie nach dem Ausschalten des Geräts mindestens 5 Minuten, bevor Sie es wieder einschalten.
16. Für eine effektive Entfeuchtung sollte ein Abstand von mindestens 20 cm zwischen den Seitenwänden der Geräte und den komprimierten Möbeln oder Vorhängen verwendet werden.
17. Sprühen Sie den Trockner nicht ein, um Brand- oder Explosionsgefahr zu vermeiden
18. Um die Gehäuseteile zu verwenden, platzieren Sie den Luftentfeuchter nicht in der Nähe von Heizgeräten.
19. Entfernen Sie das im Tank gesammelte Wasser. Das versehentliche Trinken von Wasser oder die Verwendung mit anderen Personen kann zu Krankheiten führen.
20. Unterstützt keine Geräte, bei denen die hintere Abdeckung aufgrund beweglicher und heißer Teile entfernt wurde.
21. Verwenden Sie keine anderen Mittel als die vom Hersteller empfohlenen, um den Auftau- oder Betriebsprozess durchzuführen.
22. Das Gerät sollte als Teil einer permanenten Liste von Zündquellen verfügbar sein, d. H. Ohne offene Flamme, ohne Arbeitsgasgerät oder ohne Heizgerät für Arbeitsgeräte.
23. Nicht durchstechen oder rauchen.
24. Bitte beachten Sie, dass Kältehersteller möglicherweise keinen Duft enthalten.

Vor dem ersten Gebrauch:

1. Der Luftentfeuchter muss auf einer ebenen und stabilen Oberfläche verwendet werden. Halten Sie die Abstände zwischen dem Gerät und anderen Objekten gemäß Bild 1 ein, um eine angemessene Effizienz sicherzustellen. Schließen Sie alle Fenster und Türen des Raums, in dem Sie die Luft entfeuchten möchten.
2. Um ein Gefrieren des Wassers zu verhindern, verwenden Sie den Luftentfeuchter und den Ablaufschlauch nicht bei Umgebungstemperaturen unter 0 ° C.
3. Verwenden Sie den Luftentfeuchter nicht im Freien. Direkte Sonneneinstrahlung oder Regen können zu Überhitzung, Stromschlag und Feuer führen.
4. Stellen Sie keinen Wassertank auf den Luftentfeuchter, um zu verhindern, dass Wasser in das Gerät gelangt und die Isolierung beschädigt wird.
5. Versuchen Sie niemals, den Luftentfeuchter für spezielle Zwecke zu verwenden, z. B. zum Entfeuchten von Lebensmitteln oder zur Konservierung von Kunstgegenständen oder dergleichen.
6. Verwenden Sie den Luftentfeuchter nicht, wenn Öl oder brennbares Gas austreten kann. Verwenden Sie das Gerät nicht an Orten, die Chemikalien ausgesetzt sind.
7. Stellen Sie für eine kontinuierliche Entleerung sicher, dass der Ablaufschlauch richtig geneigt ist.
8. Achten Sie darauf, dass ein Heizgerät nicht dem Wind des Luftentfeuchters ausgesetzt ist.
9. Verwenden Sie den Luftentfeuchter nicht als Stuhl oder Fußschemel.
10. Entfernen Sie den Schwimmerhebel nicht vom Wassertank.
11. Blockieren Sie nicht die Lufteinlässe und Luftauslässe.
12. Decken Sie das Gerät nicht mit gewaschener Kleidung ab.

13. Vor einem längeren Dauerbetrieb ist eine regelmäßige Überprüfung erforderlich, insbesondere für den Luftreinigungsfilter, den Ablaufschlauch oder dergleichen.
14. Das Gerät muss in einem Raum mit einer Bodenfläche von mehr als 4 Quadratmetern und in einem gut belüfteten Raum installiert, betrieben und gelagert werden.
15. Stecken Sie niemals Ihre Finger oder Stangen in den Luftauslass und -einlass.

Produktbeschreibung: AD7861 Luftentfeuchter (Bild 2)

- | | | |
|---------------------|---|---------------------|
| 1. Tragegriff | 2. Luftauslass | 3. Hinteres Gehäuse |
| 4. Bedienfeld | 5. Lufteinlass | 6. Vorderes Gehäuse |
| 7. Wassertank 2,0 l | 8. Netzkabel | 9. Fuß |
| 10. Ablaufschlauch | 11. Schwimmerhebel | 12. Netzluftfilter |
| 13. Filtergitter | 14. Kontinuierliche Wasserablauföffnung | |

Schalttafel

- | | |
|--|--|
| A. Ein/Aus-Taste | B. Taste zum Verringern der gewünschten Luftfeuchtigkeit |
| C. Taste zur Erhöhung der gewünschten Luftfeuchtigkeit | D. Taste Timer 0-24 Stunden |
| E. Timer-Anzeige | F. Selbstabtau-Anzeige |
| G. Aktivitätsanzeige des Kompressors | H. Anzeige für vollen Wassertank |
| J. Digitale „88“-Anzeige | |

Die digitale „88“-Anzeige (J) zeigt:

- gewählte gewünschte Luftfeuchtigkeit im Bereich: 30-90 Prozent der relativen Luftfeuchtigkeit (RH)
- Stunden im Bereich: 1-24, wenn Sie einen verzögerten Start oder einen verzögerten Stopp programmieren
- „LO“ – bedeutet niedrig, wenn die Umgebungsfeuchtigkeit weniger als 35 % beträgt
- „HI“ - bedeutet hoch, wenn die Umgebungsfeuchtigkeit höher als 95 % ist,

VERWENDUNGSZWECK

1. Schließen Sie das Gerät an.
2. Drücken Sie die Ein/Aus-Taste (A), um den Betrieb zu starten, die digitale „88“-Anzeige (J) leuchtet auf. Drücken Sie den Netzschalter (A) erneut, um den Betrieb zu stoppen.
3. Drücken Sie die Unterseite (C) oder (D), um die gewünschte Luftfeuchtigkeit im Raum einzustellen, die von 30 % bis 90 % in 5 %-Intervallen oder „CO“ eingestellt werden kann.

Nach einer gewissen Arbeitszeit:

- Wenn die Umgebungsfeuchtigkeit um 2% niedriger als die ausgewählte Luftfeuchtigkeit ist, stoppt der Kompressor,
- Wenn die Umgebungsfeuchtigkeit gleich oder um 3 % höher als die ausgewählte Luftfeuchtigkeit ist, startet der Kompressor nach Ablauf der 3-minütigen Kompressorschutzzeit neu.

4. TIMER-FUNKTION

Drücken Sie die Timer-Taste (D), um die Zeit zu programmieren:

- wenn das Gerät eingeschaltet ist, um die verzögerte Stoppfunktion einzurichten:
Durch wiederholtes Drücken der Timer-Taste (D) stellen Sie die gewünschte Zeit ein, sie wird von 0-1-2.....23-24 zirkulieren. Die Zeitanzeige (E) leuchtet auf. Das Gerät stoppt den Betrieb, wenn die gewünschte Zeit verstrichen ist.
- wenn das Gerät ausgeschaltet ist, um die verzögerte Startfunktion einzurichten:
Durch wiederholtes Drücken der Timer-Taste (D) stellen Sie die gewünschte Zeit ein, sie wird von 0-1-2.....23-24 zirkulieren. Die Zeitanzeige (E) leuchtet auf. Das Gerät nimmt den Betrieb auf, wenn die gewünschte Zeit verstrichen ist.

Um die Timer-Programmierung abzubrechen, drücken Sie die Timer-Taste (D) auf Null.

Die programmierte Zeit bleibt unverändert, wenn die Maschine aufgrund eines vollen Wassertanks oder während der Selbstabtauung den Betrieb einstellt.

5. ENTLERUNG DES WASSERBEHÄLTERS

Wenn der Wassertank (7) voll ist, leuchtet die Anzeige (H), der Betrieb stoppt automatisch und der Summer piept 15 Mal, um den Benutzer darauf hinzuweisen, dass das Wasser aus dem Wassertank (7) geleert werden muss. Sehen Sie sich die Bilder 4 und 5 an. Das Wasserablaufverfahren ist:

- Drücken Sie mit beiden Händen leicht auf die Seiten des Tanks (7) und ziehen Sie den Tank vorsichtig heraus.
- Gießen Sie das gesammelte Wasser aus. Wenn der Wassertank (7) verschmutzt ist, waschen Sie ihn mit kaltem oder lauwarmem Wasser aus.

HINWEIS: Entfernen Sie nicht den Schwimmerhebel (11) aus dem Wassertank (7). Ohne den Schwimmerhebel (11) kann der eingebaute Wasservollsensor den Wasserstand nicht mehr richtig erkennen und das Gerät stellt den Betrieb ein.

- Beim Wiedereinsetzen des Wassertanks (7) den Tank mit beiden Händen fest andrücken. Wenn der Tank nicht richtig positioniert ist, wird der eingebaute Vollwassersensor nicht aktiviert, sodass der Luftentfeuchter nicht funktioniert.

6. KONTINUIERLICHE WASSERABLASSFUNKTION

Wenn der Feuchtigkeitsgrad auf der Digitalanzeige (J) auf „CO“ eingestellt wird, läuft der Kompressor kontinuierlich. Der Benutzer kann:

6.a. schließen Sie den Ablaufschlauch an (10)

Wenn der Benutzer den Ablaufschlauch (10) anschließt, wird das Wasser kontinuierlich in ein Waschbecken/Badewanne oder einen anderen von Ihnen aufgestellten Außenbehälter abfließen. Das Gerät verfügt über einen kontinuierlichen Wasserablauf (14) – siehe Bild 3. Um den Ablaufschlauch (10) mit dem kontinuierlichen Wasserablauf (14) zu verbinden, muss der Wassertank (7) herausgenommen werden. Der Ablaufschlauch (10) (mit einem Innendurchmesser von 10 mm) sollte auf die in Abbildung 3 gezeigte Ablauföffnung des Anschlusses (14) gesteckt werden. Das Wasser kann kontinuierlich aus dem Anschluss (14) abgelassen werden.

6.b. Schließen Sie den Ablaufschlauch (10) nicht an.

Wenn der Benutzer den Ablaufschlauch (10) nicht anschließt, läuft das Wasser in den Wassertank (7) ab. Wenn der Wassertank (7) voll ist, stoppt das Gerät automatisch den Betrieb.

7. AUTOMATISCHE ABTAUFUNKTION

Wenn sich auf der eingebauten Verdampferschlange Reif bildet, schaltet sich der Kompressor aus und das Gerät wechselt automatisch in den Selbstabtaumodus. Nach Abschluss des Abtaumodus kehrt das Gerät zu den vorherigen Betriebseinstellungen zurück. Wenn das Gerät in einem Raum mit einer Temperatur zwischen 5 Grad Celsius und 12 Grad Celsius betrieben wird, wechselt es etwa alle 30 Minuten in den Selbstabtaumodus. Wenn das Gerät in einem Raum mit einer Temperatur zwischen 12 Grad Celsius und 20 Grad Celsius betrieben wird, wechselt es etwa alle 45 Minuten in den Selbstabtaumodus.

Reinigung und Instandhaltung

1. Schalten Sie das Gerät aus und ziehen Sie den Netzstecker, bevor Sie mit der Reinigung oder anderen routinemäßigen Wartungsarbeiten beginnen.
2. Um das Risiko eines Stromschlags zu vermeiden, spritzen oder verschütten Sie niemals Wasser auf den Luftentfeuchter, wenn Sie ihn reinigen.
3. Schalten Sie das Gerät aus und entleeren Sie das Wasser aus dem Wassertank, bevor Sie das Gerät bewegen. Halten Sie sich beim Bewegen unbedingt am Griff fest.
4. Wischen Sie das Gehäuse des Geräts mit einem feuchten Tuch ab.
5. Demontieren Sie nicht den Schwimmer (11) vom Wassertank (7). Verwenden Sie zum Reinigen des Wassertanks (7) keine Reinigungsmittel, Scheuerschwämme, chemisch behandelte Staubtücher, Benzin, Benzol, Verdünner oder andere Lösungsmittel, da diese den Tank zerkratzen und beschädigen und Wasseraustritt verursachen können.
6. Vor geplantem Dauerbetrieb über längere Zeit ist eine periodische Kontrolle insbesondere des Netzluftfilters (12) und des Ablaufschlauchs (10) erforderlich.
7. So reinigen oder ersetzen Sie die Filter:
 - Stecker ziehen und Wassertank (7) herausnehmen,
 - Entfernen Sie das Gitter (13) wie in Bild 6 gezeigt,
 - Entfernen Sie den Netzluftfilter (12) vorsichtig vom Filtergitter (13),
 - Filter alle zwei Wochen mit einem Staubsauger reinigen. Führen Sie einen Staubsauger leicht über die Oberfläche des Luftfilters (12), um Schmutz zu entfernen. Wenn der Luftfilter (12) außergewöhnlich verschmutzt ist, waschen Sie ihn mit warmem Wasser und einem milden Reinigungsmittel aus und trocknen Sie ihn gründlich ab. Die Entfeuchtungsleistung kann abnehmen, wenn der Filter mit Schmutz verstopft ist.
 - Setzen Sie den Filter in das Filtergitter ein und bauen Sie es wieder in das Gerätegehäuse ein.
8. Reinigen Sie das Gerät nicht mit Benzin, Verdünner oder flüssigen Reinigungsmitteln.
9. Aufbewahrung: Wenn das Gerät längere Zeit nicht verwendet wird und Sie es aufbewahren möchten, beachten Sie die folgenden Schritte:
 - Entleeren Sie das im Wassertank verbliebene Wasser.
 - Netzkabel (8) zusammenfallen und in den Wassertank (7) hineinstecken.
 - Reinigen Sie den Netzluftfilter (12).
 - Kühl und trocken lagern.

FEHLERBEHEBUNG

Wenn eine der unten aufgeführten Bedingungen auftritt, überprüfen Sie bitte die folgenden Punkte, bevor Sie den Kundendienst anrufen.

Problem 1: Das Gerät funktioniert nicht.

Möglicher Grund 1: Wurde das Netzkabel abgezogen?

Lösung des Problems: Stecken Sie das Netzkabel in die Steckdose.

Möglicher Grund 2: Blinkt die Wassertank-Vollanzeige (H)?

Lösung des Problems: Der Tank ist voll oder in einer falschen Position. Entleeren Sie den Wassertank (7) und setzen Sie den Tank wieder ein.

Möglicher Grund 3: Liegt die Raumtemperatur über 35 Grad Celsius oder unter 5 Grad Celsius?

Lösung des Problems: Die eingebaute Schutzvorrichtung wird aktiviert und der Luftentfeuchter kann bei einer Raumtemperatur über 35 Grad Celsius oder unter 5 Grad Celsius nicht gestartet werden.

Problem 2: Die Entfeuchtungsfunktion funktioniert nicht

Mögliche Ursache 1: Ist der Netzluftfilter (12) verstopft?

Lösung Problem 1: Reinigen Sie den Luftfilter wie unter „Reinigung und Wartung“ – Punkt 7 beschrieben.

Mögliche Ursache 2: Ist der Lufterinlass (5) oder der Luftauslass (2) verstopft?

Lösung des Problems: Entfernen Sie das Hindernis.

Problem 3: Es wird keine Luft abgegeben.

Mögliche Ursache 1: Ist der Netzluftfilter (12) verstopft?

Problemlösung: Reinigen Sie den Luftfilter wie unter "Reinigung und Wartung" - Punkt 7 beschrieben.

Problem 4: Der Betrieb ist laut

Mögliche Ursache 1: Steht das Gerät schief oder wackelt?

Lösung des Problems: Stellen Sie das Gerät auf eine stabile, ebene und feste Oberfläche.

Mögliche Ursache 2: Ist der Netzluftfilter (12) verstopft?

Problemlösung: Reinigen Sie den Luftfilter wie unter "Reinigung und Wartung" - Punkt 7 beschrieben.

Problem 5: E1-Code auf der Digitalanzeige (J)

Möglicher Grund 1: Kurzschluss oder Unterbrechung des Spulensensors

Lösung des Problems: Wenden Sie sich an den Verkäufer, der Ihnen die Kaufrechnung ausgestellt hat.

TECHNISCHES DATUM:

Entfeuchtungsleistung bei 30°C / 80% RH): 10 Liter / 24 Stunden

Geräuschpegel: <= 42dB(A)

Fassungsvermögen des Wassertanks: 2,0 Liter

Luftstrom: 150 m3/Stunde

Gewicht des Kühlmittels R290: 45 Gramm

Nenneingangsleistung: 280 W

Stromversorgung: 220-240 V ~50 Hz



Achtung, Brandgefahr.

NICHT durchbohren oder verbrennen.

Beachten Sie, dass das Kältemittel möglicherweise keinen Geruch enthält.

Das Gerät muss in einem Raum mit einer Grundfläche von mehr als 4 m² installiert, betrieben und gelagert werden.



Den Pappkarton im Altpapier entsorgen. Polyäthylenbeutel (PE) in dem Behälter für Kunststoff entsorgen. Das abgenutzte Gerät zum Recycling zu einer offiziellen Sammelstelle bringen, da es gefährliche Substanzen enthält, die die Umwelt gefährden können. Das Gerät sollte in einer Form abgegeben werden, die eine weitere Nutzung unmöglich macht. Wenn es Batterien enthält, sollten diese rausgenommen und separat an einer Sammelstelle abgegeben werden. Das Gerät darf nicht in den Hausmüll rausgeworfen werden!!

FRANÇAIS

CONDITIONS GENERALES DE SECURITE

INSTRUCTIONS DE SÉCURITÉ IMPORTANTES À LIRE ATTENTIVEMENT ET À CONSERVER POUR L'AVENIR

1. Avant d'utiliser l'appareil, lisez le mode d'emploi et suivez les instructions qu'il contient. Le fabricant n'est pas responsable des dommages résultant de l'utilisation contraire de l'appareil ou de son utilisation incorrecte.
2. L'appareil est réservé à un usage domestique. Ne pas utiliser à d'autres fins que celles prévues.
3. L'appareil ne doit être branché qu'à une prise secteur avec une tension de 220 240V ~ 50Hz mise à la terre. Pour augmenter la sécurité de fonctionnement, plusieurs appareils électriques ne doivent pas être connectés à un circuit de courant en même temps.
4. Soyez extrêmement prudent lorsque vous utilisez l'appareil lorsque des enfants se trouvent à proximité. Ne laissez pas les enfants jouer avec l'appareil, n'autorisez pas les enfants ou des personnes inconnus à l'utiliser.
5. AVERTISSEMENT: Cet équipement peut être utilisé par des enfants de plus de 8 ans et des personnes ayant des capacités physiques, sensorielles ou mentales limitées, ou des personnes qui n'ont aucune expérience ou connaissance de l'équipement, si cela est fait sous la supervision d'une personne responsable. pour leur sécurité ou leur ont été donnés

des informations sur l'utilisation en toute sécurité de l'appareil et sont conscients des dangers de son utilisation. Les enfants ne doivent pas jouer avec l'équipement. Le nettoyage et l'entretien de l'appareil ne doivent pas être effectués par des enfants, sauf s'ils ont plus de 8 ans et que ces activités sont effectuées sous surveillance.

6. Débranchez toujours le cordon d'alimentation en tenant la prise avec votre main après utilisation. NE tirez PAS sur le cordon d'alimentation.

7. N'immergez pas le câble, la fiche et l'appareil dans l'eau ou tout autre liquide. N'exposez pas l'appareil à des conditions atmosphériques (pluie, soleil, etc.) et ne l'utilisez pas dans des conditions d'humidité élevée (salles de bains, maisons mobiles humides).

8. Vérifiez périodiquement l'état du cordon d'alimentation. Si le cordon d'alimentation est endommagé, il doit être remplacé par un atelier spécialisé afin d'éviter tout danger.

9. N'utilisez pas l'appareil avec un cordon d'alimentation endommagé, s'il est tombé ou s'il a été endommagé d'une autre manière ou s'il ne fonctionne pas correctement. Ne réparez pas l'appareil vous-même, vous risqueriez de vous électrocuter. Apportez le périphérique endommagé à un centre de service approprié pour vérification ou réparation. Toutes les réparations ne peuvent être effectuées que par des points de service autorisés. Des réparations effectuées incorrectement peuvent entraîner un grave danger pour l'utilisateur.

10. Placez l'appareil sur une surface fraîche et stable, loin des appareils de cuisine chauds tels que: cuisinière électrique, brûleur à gaz, etc.

11. Assurez-vous que rien ne bloque l'entrée et la sortie d'air de l'appareil.

12. Utilisez l'appareil uniquement sur une surface plane afin d'empêcher la condensation de se répandre

13. Pour assurer une protection supplémentaire, il est conseillé d'installer un dispositif à courant différentiel résiduel (RCD) dans le circuit électrique avec un courant résiduel nominal ne dépassant pas 30 mA. Demandez à un électricien pour cela.

14. Nettoyez le filtre à air régulièrement. La fréquence de nettoyage dépend de la propreté de l'air.

15. Après avoir éteint la machine, attendez au moins 5 minutes avant de la rallumer.

16. Pour une déshumidification efficace, un espace d'au moins 20 cm doit être utilisé entre les parois latérales des appareils et les meubles ou rideaux compressés.

17. Pour éviter tout risque d'incendie ou d'explosion, ne vaporisez pas le sèche-linge

18. Pour utiliser les pièces du boîtier, ne placez pas le déshumidificateur à proximité d'appareils de chauffage.

19. Retirez l'eau recueillie dans le réservoir. La consommation accidentelle d'eau ou son utilisation avec d'autres personnes peut provoquer des maladies.

20. Ne prend pas en charge les appareils dont le capot arrière a été retiré en raison de pièces mobiles et chaudes.

21. N'utilisez aucun moyen de décongélation ou de fonctionnement autre que ceux recommandés par le fabricant.

22. L'appareil devrait être disponible dans le cadre d'une liste permanente de sources d'inflammation, c'est-à-dire sans flamme nue, sans appareil à gaz en état de marche ou

sans chauffage d'appareil en état de marche.

23. Ne percez pas et ne fumez pas.

24. Veuillez noter que les fabricants de réfrigérateurs peuvent ne pas contenir de parfum.

Avant la première utilisation:

1. Le déshumidificateur doit être utilisé sur une surface plane et stable, gardez les distances entre l'unité et les autres objets conformément à l'image 1 pour assurer une efficacité appropriée. Fermez toutes les fenêtres et portes de la pièce dont vous souhaitez déshumidifier l'air.
2. Pour éviter que l'eau ne gèle, n'utilisez pas le déshumidificateur et le tuyau de vidange à une température ambiante inférieure à 0 ° C
3. N'utilisez pas le déshumidificateur à l'extérieur. L'exposition à la lumière directe du soleil ou à la pluie peut entraîner une surchauffe, un choc électrique et un incendie.
4. Ne placez pas de réservoir d'eau sur le déshumidificateur pour éviter tout déversement d'eau à l'intérieur de l'unité et détériorer l'isolation.
5. N'essayez jamais d'utiliser le déshumidificateur à des fins spéciales, telles que la déshumidification des aliments ou la conservation d'objets d'art ou autres.
6. N'utilisez pas le déshumidificateur là où une fuite d'huile ou de gaz inflammable peut se produire. N'utilisez pas l'appareil dans des endroits soumis à des produits chimiques.
7. Pour une vidange continue, assurez-vous que le tuyau de vidange est correctement réglé avec la pente.
8. Veillez à ce qu'un appareil de chauffage ne soit pas exposé au vent du déshumidificateur.
9. N'utilisez pas le déshumidificateur comme chaise ou tabouret.
10. Ne retirez pas le levier du flotteur du réservoir d'eau.
11. N'obstruez pas les entrées d'air et les sorties d'air.
12. Ne couvrez pas l'appareil avec des vêtements lavés.
13. Avant un fonctionnement continu pendant une longue durée, une vérification périodique est nécessaire, en particulier pour le filtre à air pur, le tuyau de vidange ou similaire.
14. L'appareil doit être installé, utilisé et stocké dans une pièce dont la surface au sol est supérieure à 4 mètres carrés et dans une pièce bien ventilée.
15. Ne mettez jamais vos doigts, tiges, dans la sortie et l'entrée d'air.

Descriptif produit : Déshumidificateur d'air AD7861 (photo 2)

- | | | |
|-------------------------------------|--|---------------------------|
| 1. Poignée pour un transport facile | 2. Sortie d'air | 3. Boîtier arrière |
| 4. Panneau de commande | 5. Entrée d'air | 6. Boîtier avant |
| 7. Réservoir d'eau 2,0 L | 8. Cordon d'alimentation | 9. Pied |
| 10. Tuyau de vidange | 11. Cuve à flotteur | 12. Filtre à air en filet |
| 13. Grille de filtre | 14. Orifice de drainage continu de l'eau | |

panneau de commande

- | | |
|--|---|
| A. Bouton d'alimentation | B. Bouton de diminution de l'humidité souhaitée |
| C. Bouton d'augmentation de l'humidité souhaitée | D. Bouton de la minuterie 0-24 heures |
| E. Indicateur de minuterie | F. Indicateur d'auto-dégivrage |
| G. Indicateur d'activité du compresseur | H. Indicateur de réservoir d'eau plein |
| J. Indicateur numérique "88" | |

L'indicateur numérique « 88 » (J) affichera :

- niveau d'humidité souhaité sélectionné dans la plage : 30 à 90 % d'humidité relative (RH)
- heures dans la plage : 1-24, lorsque vous programmez un départ différé ou un arrêt différé
- "LO" - signifie faible, lorsque l'humidité de l'environnement est inférieure à 35 %
- "HI" - signifie élevé, lorsque l'humidité de l'environnement est supérieure à 95 %,

USAGE

1. Branchez l'appareil.
2. Appuyez sur le bouton d'alimentation (A) pour démarrer l'opération, l'indicateur numérique "88" (J) s'allumera. Appuyez à nouveau sur le bouton d'alimentation (A) pour arrêter le fonctionnement.
3. Appuyez sur le bas (C) ou (D) pour régler le niveau d'humidité souhaité dans la pièce, qui peut être réglé de 30 % à 90 % à des intervalles de 5 % ou « CO ».

Après une période de travail :

- lorsque l'humidité de l'environnement est inférieure de 2 % à l'humidité sélectionnée, le compresseur s'arrête,
- lorsque l'humidité ambiante est égale ou supérieure de 3 % à l'humidité sélectionnée, le compresseur redémarre une fois le temps de protection du compresseur de 3 minutes écoulé.

4. FONCTION MINUTERIE

Appuyez sur le bouton de la minuterie (D) pour programmer l'heure :

- à la mise sous tension de l'appareil pour mettre en place la fonction arrêt différé :
- En appuyant à plusieurs reprises sur le bouton de la minuterie (D), réglez l'heure souhaitée, elle circulera de 0-1-2.....23-24. L'indicateur de temps (E) s'allumera. L'appareil s'arrêtera de fonctionner lorsque le temps souhaité sera écoulé.
- à l'arrêt de l'appareil pour mettre en place la fonction départ différé :
- En appuyant à plusieurs reprises sur le bouton de la minuterie (D), réglez l'heure souhaitée, elle circulera de 0-1-2.....23-24. L'indicateur de temps (E) s'allumera. L'appareil commencera à fonctionner lorsque le temps souhaité s'est écoulé.
- Pour annuler la programmation de la minuterie, appuyez sur le bouton de la minuterie (D) jusqu'à zéro.
- Le temps programmé reste inchangé si la machine s'arrête de fonctionner en raison d'un réservoir d'eau plein ou pendant l'auto-dégivrage.

5. VIDANGE DU RÉSERVOIR D'EAU

- Lorsque le réservoir d'eau (7) est plein, le voyant (H) s'allume, l'opération s'arrête automatiquement et le buzzer émet 15 bips pour alerter l'utilisateur que l'eau doit être vidée du réservoir d'eau (7). Regardez les photos 4 et 5. La procédure de drainage de l'eau est :
- Appuyez légèrement sur les côtés du réservoir (7) avec les deux mains et retirez doucement le réservoir.
 - Versez l'eau recueillie. Si le réservoir d'eau (7) est sale, nettoyez-le à l'eau froide ou tiède.
- REMARQUE : Ne pas retirer la cuve à flotteur (11) du réservoir d'eau (7). Le capteur d'eau plein intégré ne pourra plus détecter correctement le niveau d'eau sans la cuve à flotteur (11) et l'appareil s'arrêtera de fonctionner.
- Lors de la remise en place du réservoir d'eau (7), appuyez fermement sur le réservoir avec les deux mains. Si le réservoir n'est pas correctement positionné, le capteur d'eau plein intégré ne sera pas activé, de sorte que le déshumidificateur ne fonctionnera pas.

6. FONCTION DE VIDANGE CONTINUE DE L'EAU

Lors du réglage du niveau d'humidité sur "CO" sur l'affichage numérique (J), le compresseur fonctionnera en continu. L'utilisateur peut :

6.a. brancher le tuyau de vidange (10)

Si l'utilisateur raccorde le tuyau de vidange (10), l'eau s'écoulera en continu vers le lavabo/la baignoire ou tout autre récipient extérieur que vous installerez. L'appareil comporte un orifice de drainage continu de l'eau (14) - regardez l'image 3. Il est nécessaire de retirer le réservoir d'eau (7) pour assembler le tuyau de vidange (10) au port de drainage continu de l'eau (14). Le tuyau de vidange (10) (d'un diamètre intérieur de 10 mm) doit être placé sur le trou de vidange de l'orifice (14) illustré à l'image 3. L'eau peut être évacuée en continu de l'orifice (14).

6.b. ne pas brancher le tuyau de vidange (10).

Si l'utilisateur ne raccorde pas le tuyau de vidange (10), l'eau s'écoulera vers le réservoir d'eau (7). Lorsque le réservoir d'eau (7) est plein, l'appareil s'arrête automatiquement.

7. FONCTION DE DÉGIVRAGE AUTOMATIQUE

Lorsque le givre s'accumule sur le serpentin de l'évaporateur intégré, le compresseur s'arrête et l'appareil passe automatiquement en mode d'auto-dégivrage. Une fois le mode de dégivrage terminé, l'appareil reviendra aux paramètres de fonctionnement précédents. Lorsque l'appareil fonctionne dans une pièce avec une température comprise entre 5 degrés Celsius et 12 degrés Celsius, il entrera en mode d'auto-dégivrage environ toutes les 30 minutes. Lorsque l'appareil fonctionne dans une pièce avec une température comprise entre 12 degrés Celsius et 20 degrés Celsius, il entrera en mode d'auto-dégivrage environ toutes les 45 minutes.

Nettoyage et entretien

1. Éteignez l'appareil et débranchez la fiche d'alimentation avant de commencer tout nettoyage ou autre entretien de routine.
2. Pour éviter tout risque d'électrocution, ne jamais asperger ou renverser d'eau sur le déshumidificateur lors du nettoyage.
3. Éteignez l'appareil et videz l'eau du réservoir d'eau avant de déplacer l'appareil. Assurez-vous de tenir par la poignée pendant le déplacement.
4. Essuyez le boîtier de l'appareil avec un chiffon humide.
5. Ne démontez pas le flotteur (11) du réservoir d'eau (7). Pour nettoyer le réservoir d'eau (7), n'utilisez pas de détergent, de tampons à récurer, de chiffons à poussière traités chimiquement, d'essence, de benzène, de diluant ou d'autres solvants, car ils peuvent rayer et endommager le réservoir et provoquer des fuites d'eau.
6. Après un fonctionnement continu prévu pendant une longue durée, une vérification périodique est nécessaire, en particulier pour le filtre à air net (12) et le tuyau de vidange (10).
7. Pour nettoyer ou remplacer les filtres, il faut :
 - débrancher la prise et retirer le réservoir d'eau (7),
 - retirer la grille (13) comme indiqué sur la photo 6,
 - retirer délicatement le filet de filtre à air (12) de la grille de filtre (13),
 - nettoyer le filtre toutes les deux semaines avec un aspirateur. Passer légèrement un aspirateur sur la surface du filtre à air (12) pour enlever la saleté. Si le filtre à air (12) est exceptionnellement sale, lavez-le avec de l'eau tiède et un nettoyant doux et séchez-le soigneusement. Les performances de déshumidification peuvent diminuer lorsque le filtre est obstrué par des débris.
 - placez le filtre à l'intérieur de la grille de filtre et remontez-les dans le boîtier de l'appareil.
8. Ne nettoyez pas l'appareil avec de l'essence, du diluant ou du détergent liquide.
9. Stockage : lorsque l'appareil n'est pas utilisé pendant une longue période et que vous souhaitez le stocker, notez les étapes suivantes :
 - Videz l'eau restante dans le réservoir d'eau.
 - Repliez le cordon d'alimentation (8) et placez-le dans le réservoir d'eau (7) à l'intérieur.
 - Nettoyer le filtre à air en filet (12).
 - Stockage dans un endroit frais et sec.

DÉPANNAGE

Si une condition répertoriée ci-dessous se produit, veuillez vérifier les éléments suivants avant d'appeler le service client.

Problème 1 : L'appareil ne fonctionne pas.

Raison possible 1 : Le cordon d'alimentation a-t-il été débranché ?

Solution du problème : Branchez le cordon d'alimentation dans la prise.

Raison possible 2 : Le voyant du réservoir d'eau plein (H) clignote-t-il ?

Solution du problème : Le réservoir est plein ou dans une mauvaise position. Videz le réservoir d'eau (7) puis repositionnez le réservoir.

Raison possible 3 : La température de la pièce est-elle supérieure à 35 degrés Celsius ou inférieure à 5 degrés Celsius ?

Solution du problème : le dispositif de protection intégré est activé et le déshumidificateur ne peut pas être démarré à une température de la pièce supérieure à 35 degrés Celsius ou inférieure à 5 degrés Celsius.

Problème 2 : La fonction de déshumidification ne fonctionne pas

Raison possible 1 : Le filtre à air en filet (12) est-il obstrué ?

Solution problème 1 : Nettoyez le filtre à air comme indiqué sous "Nettoyage et entretien" - point 7.

Raison possible 2 : L'entrée d'air (5) ou la sortie d'air (2) est-elle obstruée ?

Solution du problème : Retirez l'obstruction.

Problème 3 : Aucun air n'est évacué.

Raison possible 1 : Le filtre à air en filet (12) est-il obstrué ?

Solution du problème : Nettoyez le filtre à air comme indiqué sous "Nettoyage et entretien" - point 7.

Problème 4 : Le fonctionnement est bruyant

Raison possible 1 : L'appareil est-il incliné ou instable ?

Solution du problème : Déplacez l'appareil sur une surface stable, plane et solide.

Raison possible 2 : Le filtre à air en filet (12) est-il obstrué ?

Solution du problème : Nettoyez le filtre à air comme indiqué sous "Nettoyage et entretien" - point 7.

Problème 5 : Code E1 affiché sur l'indicateur numérique (J)

Raison possible 1 : Court-circuit ou circuit ouvert du capteur de bobine

Solution du problème : Contactez le vendeur qui vous a émis la facture d'achat.

DONNEES TECHNIQUES :

Capacité de déshumidification à 30°C / 80% HR) : 10 litres / 24 heures

Niveau sonore : <= 42dB(A)

Capacité du réservoir d'eau : 2,0 litres

Débit d'air : 150m3/heure

Poids du liquide de refroidissement R290 : 45 grammes

Puissance d'entrée nominale : 280 W

Alimentation : 220-240V ~50Hz



Attention, risque d'incendie.

NE PAS percer ou brûler.

Sachez que le réfrigérant ne doit pas contenir d'odeur.

L'appareil doit être installé, utilisé et stocké dans une pièce dont la surface au sol est supérieure à 4 m².

La quantité maximale de charge de réfrigérant : 45 g.



Respect de l'environnement. Nous vous prions de bien vouloir trier les emballages en carton ainsi que les sachets plastiques (en polyéthylène). L'appareil usagé ne doit pas être jeté à la poubelle mais remis au point de collecte prévu à cet effet car il contient des éléments pouvant être nocifs pour l'environnement. L'appareil électrique doit être remis de manière à limiter au maximum une éventuelle utilisation ultérieure. Si l'appareil contient des piles, il faut les retirer et les remettre à un autre point de collecte.

Ne pas jeter l'appareil dans une poubelle de déchets ménagers !!!

ESPAÑOL

CONDICIONES GENERALES DE SEGURIDAD INSTRUCCIONES DE SEGURIDAD IMPORTANTES LEA CUIDADOSAMENTE Y AHORRE POR FUTURO

1. Antes de usar el dispositivo, lea el manual de operación y siga las instrucciones contenidas en él. El fabricante no se hace responsable de los daños causados por el uso

del dispositivo contrario a su propósito previsto u operación incorrecta.

2. El dispositivo es solo para uso doméstico. No lo use para otros fines que no sean para los fines previstos.

3. El dispositivo solo debe conectarse a un tomacorriente de CA con una conexión a tierra de 220 240V ~ 50Hz. Para aumentar la seguridad operativa, no se deben conectar varios dispositivos eléctricos a un circuito de corriente al mismo tiempo.

4. Tenga mucho cuidado al usar el dispositivo cuando haya niños cerca. No permita que los niños jueguen con el dispositivo, no permita que lo usen niños o personas que no estén familiarizadas con el dispositivo.

5. ADVERTENCIA: Este equipo puede ser utilizado por niños mayores de 8 años y personas con capacidad física, sensorial o mental limitada, o personas que no tienen experiencia o conocimiento del equipo, si esto se hace bajo la supervisión de una persona responsable. por su seguridad o se les ha otorgado información sobre el uso seguro del dispositivo y son conscientes de los peligros de su uso. Los niños no deben jugar con el equipo. La limpieza y el mantenimiento del dispositivo no deben ser realizados por niños, a menos que tengan más de 8 años y estas actividades se realicen bajo supervisión.

6. Siempre desconecte el enchufe de alimentación sosteniendo el enchufe con la mano después de usarlo. NO tire del cable de alimentación.

7. No sumerja el cable, el enchufe y todo el dispositivo en agua o cualquier otro líquido. No exponga el dispositivo a condiciones atmosféricas (lluvia, sol, etc.) ni lo use en condiciones de alta humedad (baños, casas móviles húmedas).

8. Compruebe periódicamente el estado del cable de alimentación. Si el cable de alimentación está dañado, debe ser reemplazado por un taller de reparación especializado para evitar peligros.

9. No utilice el aparato con un cable de alimentación dañado o si se ha caído o dañado de alguna otra manera o si no funciona correctamente. No repare el dispositivo usted mismo, ya que existe el riesgo de descarga eléctrica. Lleve el dispositivo dañado a un centro de servicio apropiado para su revisión o reparación. Todas las reparaciones solo pueden llevarse a cabo en puntos de servicio autorizados. Las reparaciones realizadas incorrectamente pueden causar serios peligros para el usuario.

10. Coloque el dispositivo sobre una superficie fresca y estable, lejos de electrodomésticos de cocina calientes como: estufa eléctrica, quemador de gas, etc.

11. Asegúrese de que nada bloquee la entrada y salida de aire del dispositivo

12. Use el dispositivo solo en una superficie nivelada para evitar que se derrame la condensación

13. Para proporcionar protección adicional, es aconsejable instalar un dispositivo de corriente residual (RCD) en el circuito eléctrico con una corriente residual nominal que no exceda los 30 mA. Pregúntele a un electricista por esto.

14. Limpie el filtro de aire regularmente. La frecuencia de la limpieza depende de la limpieza del aire.

15. Después de apagar la máquina, espere al menos 5 minutos antes de volver a

encenderla.

16. Para una deshumidificación efectiva, se debe utilizar un espacio de al menos 20 cm entre las paredes laterales de los dispositivos y los muebles o cortinas comprimidos.
17. Para evitar el riesgo de incendio o explosión, no rocíe la secadora
18. Para usar las piezas de la carcasa, no coloque el deshumidificador cerca de dispositivos de calefacción.
19. Retire el agua recogida en el tanque. Tomar agua accidentalmente o usarla con otras personas puede causar enfermedades.
20. No admite dispositivos con la cubierta posterior retirada debido a piezas móviles y calientes.
21. No utilice ningún medio para llevar a cabo el proceso de descongelación u operación que no sean los recomendados por el fabricante.
22. El dispositivo debe estar disponible como parte de una lista permanente de fuentes de ignición, es decir, sin llama abierta, sin un dispositivo de gas en funcionamiento o sin un calentador de dispositivo en funcionamiento.
23. No perforar ni fumar.
24. Tenga en cuenta que los fabricantes de refrigeración no pueden contener fragancias.

Antes del primer uso:

1. El deshumidificador debe usarse en una superficie nivelada y estable, mantenga las distancias entre la unidad y otros objetos de acuerdo con la imagen 1 para garantizar una eficiencia adecuada. Cierre todas las ventanas y puertas de la habitación donde desee deshumidificar el aire.
2. Para evitar que el agua se congele, no use el deshumidificador ni la manguera de drenaje a una temperatura ambiente inferior a 0 ° C
3. No use el deshumidificador afuera. La exposición a la luz solar directa o la lluvia puede provocar sobrecalentamiento, descargas eléctricas e incendios.
4. No coloque el tanque de agua sobre el deshumidificador para evitar derrames de agua dentro de la unidad y deteriorar el aislamiento.
5. Nunca intente utilizar el deshumidificador para usos especiales, como la deshumidificación de alimentos o la preservación de objetos de arte, o similares.
6. No utilice el deshumidificador donde pueda tener lugar una fuga de aceite o gas inflamable. No utilice la unidad en lugares sujetos a productos químicos.
7. Para un drenaje continuo, asegúrese de que la manguera de drenaje esté ajustada correctamente con pendiente.
8. Tenga cuidado de que un aparato de calefacción no esté expuesto al viento del deshumidificador.
9. No utilice el deshumidificador como silla o reposapiés.
10. No retire la palanca del flotador del tanque de agua.
11. No bloquee las entradas de aire y las salidas de aire.
12. No cubra la unidad con ropa lavada.
13. Antes de la operación continua durante un período prolongado, se requiere una verificación periódica, especialmente para el filtro de limpieza de aire, la manguera de drenaje o similares.
14. El dispositivo debe instalarse, operarse y almacenarse en una habitación con una superficie de más de 4 metros cuadrados y en una habitación con un área bien ventilada.
15. Nunca ponga sus dedos, varillas, en la salida y entrada de aire.

Descripción del producto: Deshumidificador de aire AD7861 (imagen 2)

- | | | |
|-------------------------------------|--|-------------------------|
| 1. Asa para facilitar el transporte | 2. Salida de aire | 3. Carcasa trasera |
| 4. Panel de control | 5. Entrada de aire | 6. Carcasa frontal |
| 7. Depósito de agua de 2,0 l | 8. Cable de alimentación | 9. Pie |
| 10. Manguera de drenaje | 11. Palanca flotante | 12. Filtro de aire neto |
| 13. Rejilla de filtro | 14. Puerto de drenaje continuo de agua | |

Panel de control

- | | |
|---|--|
| A. Botón de encendido | B. Botón de disminución de humedad deseada |
| C. Botón de aumento de humedad deseado | D. Botón de temporizador 0-24 horas |
| E. Indicador del temporizador | F. Indicador de descongelación automática |
| G. Indicador de actividad del compresor | H. Indicador de depósito de agua lleno |
| J. Indicador digital "88" | |

El indicador digital "88" (J) mostrará:

- nivel de humedad deseado seleccionado en el rango: 30-90 por ciento de humedad relativa (HR)

- horas en el rango: 1-24, cuando programa un inicio retrasado o una parada retrasada

- "LO" - significa bajo, cuando la humedad ambiental es inferior Al. 35%

- "HI" - significa alta, cuando la humedad ambiental es superior Al. 95%,

USO

1. Enchufe el dispositivo.

2. Presione el botón de encendido (A) para iniciar la operación, el indicador digital "88" (J) se encenderá. Presione el botón de encendido (A) nuevamente para detener la operación.

3. Presione la parte inferior (C) o (D) para configurar el nivel de humedad deseado en la habitación, que se puede configurar del 30 % al 90 % en intervalos del 5 % o "CO".

Después de un período de trabajo:

- cuando la humedad ambiental es inferior a la humedad seleccionada en un 2%, el compresor se detendrá,

- cuando la humedad ambiental es igual o superior a la humedad seleccionada en un 3%, el compresor se reiniciará una vez transcurrido el tiempo de protección del compresor de 3 minutos.

4. FUNCIÓN DE TEMPORIZADOR

Pulse el botón del temporizador (D) es el programa de la hora:

- cuando el dispositivo está encendido para configurar la función de parada retardada:

Presionando repetidamente el botón del temporizador (D) ajuste el tiempo deseado, circulará de 0-1-2.....23-24. El indicador de tiempo (E) se encenderá. El dispositivo dejará de funcionar cuando haya pasado el tiempo deseado.

- cuando el dispositivo está apagado para configurar la función de inicio diferido:

Presionando repetidamente el botón del temporizador (D) ajuste el tiempo deseado, circulará de 0-1-2.....23-24. El indicador de tiempo (E) se encenderá. El dispositivo comenzará a funcionar cuando haya pasado el tiempo deseado.

Para cancelar la programación del temporizador, presione el botón del temporizador (D) a cero.

El tiempo programado permanece invariable si la máquina deja de funcionar por depósito de agua lleno o durante la autodescongelación.

5. DRENAJE DEL DEPÓSITO DE AGUA

Cuando el tanque de agua (7) esté lleno, el indicador (H) se encenderá, la operación se detendrá automáticamente y el zumbador sonará 15 veces para alertar al usuario de que es necesario vaciar el agua del tanque de agua (7). Mire las imágenes 4 y 5. El procedimiento de drenaje de agua es:

- Presione ligeramente los lados del depósito (7) con ambas manos y extraiga el depósito con cuidado.

- Verter el agua recogida. Si el depósito de agua (7) está sucio, lávelo con agua fría o tibia.

OBSERVACIÓN: No retire la palanca del flotador (11) del tanque de agua (7). El sensor de agua lleno integrado ya no podrá detectar correctamente el nivel del agua sin la palanca flotante (11) y el dispositivo dejará de funcionar.

- Cuando vuelva a colocar el depósito de agua (7), presione firmemente el depósito con ambas manos. Si el tanque no está colocado correctamente, el sensor de agua lleno integrado no se activará, por lo que el deshumidificador no funcionará.

6. FUNCIÓN DE DRENAJE CONTINUO DEL AGUA

Al configurar el nivel de humedad en "CO" en la pantalla digital (J), el compresor funcionará continuamente. El usuario puede:

6.a. conecte la manguera de drenaje (10)

Si el usuario conecta la manguera de desagüe (10), el agua se drenará continuamente al lavabo/bañera u otro recipiente exterior que instale. El dispositivo cuenta con un puerto de drenaje de agua continuo (14) - mire la imagen 3. Es necesario sacar el tanque de agua (7) para ensamblar la manguera de drenaje (10) al puerto de drenaje de agua continuo (14). La manguera de drenaje (10) (con un diámetro interior de 10 mm) debe colocarse en el orificio de drenaje del puerto (14) que se muestra en la imagen 3. El agua se puede drenar continuamente desde el puerto (14).

6.b. no conecte la manguera de drenaje (10).

Si el usuario no conecta la manguera de drenaje (10), el agua se drenará al tanque de agua (7). Cuando el tanque de agua (7) esté lleno, el dispositivo dejará de funcionar automáticamente.

7. FUNCIÓN DE DESCONGELACIÓN AUTOMÁTICA

Cuando se acumula escarcha en el serpentín del evaporador incorporado, el compresor se apagará y el dispositivo entrará automáticamente en el modo de descongelación automática. Una vez finalizado el modo de descongelación, el dispositivo volverá a la configuración de funcionamiento anterior. Cuando el dispositivo está funcionando en una habitación con una temperatura entre 5 y 12 grados centígrados, entrará en el modo de autodescongelación aproximadamente cada 30 minutos. Cuando el dispositivo está funcionando en una habitación con una temperatura entre 12 y 20 grados centígrados, entrará en el modo de autodescongelación aproximadamente cada 45 minutos.

Limpieza y mantenimiento

1. Apague la unidad y desconecte el enchufe antes de comenzar cualquier limpieza u otro mantenimiento de rutina.

2. Para evitar el riesgo de descarga eléctrica, nunca rocíe ni derrame agua sobre el deshumidificador cuando lo limpie.

3. Apague el dispositivo y vacíe el agua del tanque de agua antes de mover el dispositivo. Asegúrese de sujetarlo por el mango mientras lo mueve.
4. Limpie la carcasa del dispositivo con un paño húmedo.
5. No desmonte el flotador (11) del depósito de agua (7). Para limpiar el depósito de agua (7) no utilice detergente, estropajos, paños para polvo tratados químicamente, gasolina, bencina, diluyentes u otros disolventes, ya que pueden rayar y dañar el depósito y provocar fugas de agua.
6. Antes del funcionamiento continuo planificado durante un período prolongado, se requiere una revisión periódica, especialmente del filtro de aire neto (12) y la manguera de drenaje (10).
7. Para limpiar o reemplazar los filtros se debe:
 - desconectar el enchufe y sacar el depósito de agua (7),
 - quitar la rejilla (13) como se muestra en la foto 6,
 - quitar el filtro de aire neto (12) suavemente de la rejilla del filtro (13),
 - limpie el filtro cada dos semanas con una aspiradora. Pase una aspiradora suavemente sobre la superficie del filtro de aire (12) para eliminar la suciedad. Si el filtro de aire (12) está muy sucio, lávelo con agua tibia y un limpiador suave y séquelo bien. El rendimiento de la deshumidificación puede disminuir cuando el filtro está obstruido con desechos.
 - coloque el filtro dentro de la rejilla del filtro y vuelva a montarlos en la carcasa del dispositivo.
8. No limpie el dispositivo con gasolina, diluyente o detergente líquido.
9. Almacenamiento: cuando el dispositivo no se utilice durante un largo período de tiempo y desee almacenarlo, tenga en cuenta los siguientes pasos:
 - Vacíe el agua que quede en el depósito de agua.
 - Doblar el cable de alimentación (8) e introducirlo en el interior del depósito de agua (7).
 - Limpiar el filtro de aire de red (12).
 - Almacenamiento en un lugar fresco y seco.

SOLUCIÓN DE PROBLEMAS

Si ocurre una de las condiciones enumeradas a continuación, verifique los siguientes elementos antes de llamar al servicio de atención al cliente.

Problema 1: El dispositivo no funciona.

Posible motivo 1: ¿Se ha desconectado el cable de alimentación?

Solución del problema: conecte el cable de alimentación a la toma de corriente.

Posible razón 2: ¿Está parpadeando el indicador de tanque de agua lleno (H)?

Solución del problema: El tanque está lleno o en una posición incorrecta. Vacíe el tanque de agua (7) y luego vuelva a colocar el tanque.

Posible motivo 3: ¿La temperatura de la habitación es superior a 35 grados centígrados o inferior a 5 grados centígrados?

Solución del problema: El dispositivo de protección incorporado está activado y el deshumidificador no puede encenderse a una temperatura de la habitación superior a 35 grados Celsius o inferior a 5 grados Celsius.

Problema 2: La función de deshumidificación no funciona

Posible razón 1: ¿Está obstruido el filtro de aire neto (12)?

Problema de solución 1: Limpie el filtro de aire como se indica en "Limpieza y mantenimiento" - punto 7.

Posible razón 2: ¿Está obstruida la entrada de aire (5) o la salida de aire (2)?

Solución del problema: Retire la obstrucción.

Problema 3: No se descarga aire.

Posible razón 1: ¿Está obstruido el filtro de aire neto (12)?

Solución del problema: Limpie el filtro de aire como se indica en "Limpieza y mantenimiento" - punto 7.

Problema 4: la operación es ruidosa

Posible razón 1: ¿El dispositivo está inclinado o en una posición inestable?

Solución del problema: Mueva el dispositivo a una superficie estable, uniforme y resistente.

Posible razón 2: ¿Está obstruido el filtro de aire neto (12)?

Solución del problema: Limpie el filtro de aire como se indica en "Limpieza y mantenimiento" - punto 7.

Problema 5: Código E1 mostrado en el indicador digital (J)

Posible razón 1: Cortocircuito o circuito abierto en el sensor de la bobina

Solución del problema: comuníquese con el vendedor que emitió su factura de compra.

FECHA TÉCNICA:

Capacidad de deshumidificación a 30°C / 80% HR): 10 litros / 24 horas

Nivel de ruido: <= 42dB(A)

Capacidad del depósito de agua: 2,0 litros

Caudal de aire: 150m3/hora

Peso del refrigerante R290: 45 gramos

Potencia nominal de entrada: 280W

Fuente de alimentación: 220-240V ~50Hz



Precaución, riesgo de incendio.

NO perforar ni quemar.

Tenga en cuenta que el refrigerante puede no tener olor.

El dispositivo debe instalarse, operarse y almacenarse en una habitación con una superficie de más de 4 m².

La cantidad máxima de carga de refrigerante: 45g.



Preocupación por el medio ambiente. Por favor, lleva las cajas de cartón a un sitio de reciclaje. Las bolsas de polietileno se deben tirar al cubo de la basura amarillo (para envases). El equipo gastado debe ser entregado en el punto de almacenamiento adecuado, porque las piezas que constituyen el equipo pueden suponer un peligro para el medio ambiente. Debes entregar el equipo Hay que devolver el equipo eléctrico con el fin de evitar su reutilización. Si en el equipo se encuentran pilas, hay que sacarlas y entregar por separado, en un punto de almacenamiento adecuado. No tires el equipo al contenedor para residuos urbanos!!

PORTUGUÊS

CONDIÇÕES GERAIS DE SEGURANÇA

INSTRUÇÕES IMPORTANTES DE SEGURANÇA LEIA COM ATENÇÃO E SALVE PARA O FUTURO

1. Antes de usar o dispositivo, leia o manual de operação e siga as instruções nele contidas. O fabricante não se responsabiliza por danos causados pelo uso do dispositivo contrário ao seu objetivo ou operação incorreta.
2. O dispositivo é apenas para uso doméstico. Não use para outros fins que não sejam para o fim a que se destina.
3. O dispositivo deve ser conectado apenas a uma tomada CA com 220 240V ~ 50Hz aterrada. Para aumentar a segurança operacional, vários dispositivos elétricos não devem ser conectados a um circuito de corrente ao mesmo tempo.
4. Tenha muito cuidado ao usar o dispositivo quando houver crianças por perto. Não permita que crianças brinquem com o dispositivo, não permita que crianças ou pessoas não familiarizadas com o dispositivo o usem.
5. AVISO: Este equipamento pode ser usado por crianças acima de 8 anos de idade e pessoas com habilidades físicas, sensoriais ou mentais limitadas, ou pessoas que não têm experiência ou conhecimento do equipamento, se isso for feito sob a supervisão de uma pessoa responsável. por sua segurança ou tenham recebido informações sobre o uso seguro do dispositivo e estão cientes dos perigos de usá-lo. As crianças não devem brincar com o equipamento. A limpeza e manutenção do dispositivo não devem ser realizadas por crianças, a menos que tenham mais de 8 anos e essas atividades sejam realizadas sob supervisão.
6. Sempre desconecte o plugue de energia segurando o soquete com a mão após o uso. NÃO puxe pelo cabo de alimentação.
7. Não mergulhe o cabo, plugue e todo o dispositivo em água ou qualquer outro líquido. Não exponha o dispositivo a condições atmosféricas (chuva, sol, etc.) ou use em condições de alta umidade (banheiros, casas móveis úmidas).
8. Verifique periodicamente as condições do cabo de alimentação. Se o cabo de alimentação estiver danificado, ele deverá ser substituído por uma oficina especializada

para evitar perigos.

9. Não use o aparelho com um cabo de alimentação danificado ou se ele caiu ou foi danificado de qualquer outra maneira ou se não estiver funcionando corretamente. Não repare o dispositivo, pois existe o risco de choque elétrico. Leve o dispositivo danificado a um centro de serviço apropriado para verificação ou reparo. Todos os reparos podem ser realizados apenas por pontos de serviço autorizados. Reparos executados incorretamente podem causar sérios perigos ao usuário.

10. Coloque o dispositivo em uma superfície fria e estável, longe de utensílios de cozinha quentes, como: fogão elétrico, queimador de gás, etc.

11. Certifique-se de que nada esteja bloqueando a entrada e saída de ar do dispositivo

12. Use o dispositivo apenas em uma superfície nivelada para evitar que a condensação se espalhe

13. Para fornecer proteção adicional, é aconselhável instalar um dispositivo de corrente residual (RCD) no circuito elétrico com uma corrente residual nominal que não exceda 30mA. Peça a um eletricista para isso.

14. Limpe o filtro de ar regularmente. A frequência da limpeza depende da limpeza do ar.

15. Depois de desligar a máquina, aguarde pelo menos 5 minutos antes de ligá-la novamente.

16. Para uma desumidificação eficaz, deve-se usar um espaço de pelo menos 20 cm entre as paredes laterais dos dispositivos e os móveis ou cortinas comprimidos.

17. Para evitar o risco de incêndio ou explosão, não borrfite o secador

18. Para usar as peças da caixa, não coloque o desumidificador perto de dispositivos de aquecimento.

19. Remova a água coletada no tanque. Beber água acidentalmente ou usá-lo com outras pessoas pode causar doenças.

20. Não suporta dispositivos com a tampa traseira removida devido a peças quentes e em movimento.

21. Não use nenhum meio para realizar o processo de descongelamento ou operação que não seja o recomendado pelo fabricante.

22. O dispositivo deve estar disponível como parte de uma lista permanente de fontes de ignição, isto é, sem chama aberta, sem dispositivo de gás ativo ou sem aquecedor de dispositivo ativo.

23. Não fure ou fume.

24. Observe que os fabricantes de refrigeração não podem conter fragrâncias.

Antes da primeira utilização:

1. O desumidificador deve ser usado em uma superfície nivelada e estável, mantenha distâncias entre a unidade e outros objetos de acordo com a figura 1 para garantir uma eficiência adequada. Feche todas as janelas e portas da sala que você deseja desumidificar o ar.

2. Para evitar que a água congele, não use o desumidificador e a mangueira de drenagem em temperatura ambiente abaixo de 0 ° C. Não use o desumidificador externo. A exposição à luz solar direta ou chuva pode resultar em superaquecimento, choque elétrico e incêndio.

4. Não coloque o tanque de água no desumidificador para evitar derramamento de água dentro da unidade e deteriorar o isolamento.

5. Nunca tente usar o desumidificador para usos especiais, como desumidificação de alimentos ou preservação de objetos de arte, ou

similares.

6. Não use o desumidificador em locais onde possam ocorrer vazamentos de óleo ou gás inflamável. Não use a unidade em locais sujeitos a produtos químicos.

7. Para drenagem contínua, verifique se a mangueira de drenagem está ajustada corretamente com inclinação.

8. Cuidado para que um aparelho de aquecimento não seja exposto ao vento pelo desumidificador.

9. Não use o desumidificador como cadeira ou apoio para os pés.

10. Não remova a alavanca de flutuação do tanque de água.

11. Não bloqueie as entradas e saídas de ar.

12. Não cubra a unidade com roupas lavadas.

13. Antes da operação contínua por um longo período, é necessária uma verificação periódica, especialmente para o filtro de limpeza do ar, a mangueira de drenagem ou algo semelhante.

14. O dispositivo deve ser instalado, operado e armazenado em uma sala com área de piso superior a 4 metros quadrados e em uma sala com área bem ventilada.

15. Nunca coloque os dedos, varetas, na saída e entrada de ar.

Descrição do produto: Desumidificador de ar AD7861 (imagem 2)

1. Alça para facilitar o transporte

2. Saída de ar

3. Caixa traseira

4. Painel de controle

5. Entrada de ar

6. Caixa frontal

7. Depósito de água 2,0L

8. Cabo de alimentação

9. Pé

10. Mangueira de drenagem

11. Lavatório flutuante

12. Filtro de ar líquido

13. Grade do filtro

14. Porta de drenagem contínua de água

painel de controle

A. Botão liga/desliga B. Botão de diminuição da umidade desejada

C. Botão de aumento de umidade desejado D. Botão Timer 0-24 horas

E. Indicador do temporizador F. Indicador de autodescongelamento

G. Indicador de atividade do compressor H. Indicador de tanque de água cheio

J. Indicador digital "88"

O indicador digital "88" (J) mostrará:

- nível de umidade desejado selecionado na faixa: 30-90 por cento da umidade relativa (RH)

- horas no intervalo: 1-24, quando você programa início atrasado ou parada atrasada

- "LO" – significa baixo, quando a umidade do ambiente for inferior a 35%

- "HI" - significa alta, quando a umidade do ambiente for superior a 95%,

USO

1. Conecte o dispositivo.

2. Pressione o botão liga/desliga (A) para iniciar a operação, o indicador digital "88" (J) acenderá. Pressione o botão liga/desliga (A) novamente para interromper a operação.

3. Pressione a parte inferior (C) ou (D) para definir o nível de umidade desejado na sala, que pode ser definido de 30% a 90% em intervalos de 5% ou "CO".

Após um período de trabalho:

- quando a umidade do ambiente for inferior à umidade selecionada em 2%, o compressor irá parar,

- quando a umidade do ambiente for igual ou superior à umidade selecionada em 3%, o compressor será reiniciado após o término do tempo de proteção do compressor de 3 minutos.

4. FUNÇÃO DE TEMPORIZADOR

Pressione o botão do timer (D) é o programa o tempo:

- quando o dispositivo é ligado para configurar a função de parada atrasada:

Pressionando repetidamente o botão do timer (D) ajuste o tempo desejado, ele irá circular de 0-1-2.....23-24. O indicador de tempo (E) acenderá. O dispositivo interromperá a operação quando o tempo desejado passar.

- quando o dispositivo é desligado para configurar a função de início retardado:

Pressionando repetidamente o botão do timer (D) ajuste o tempo desejado, ele irá circular de 0-1-2.....23-24. O indicador de tempo (E) acenderá. O dispositivo iniciará a operação quando o tempo desejado passar.

Para cancelar a programação do timer, pressione o botão do timer (D) para zero.

O tempo programado permanece inalterado se a máquina parar de funcionar por depósito de água cheio ou durante o autodegelo.

5. DRENAGEM DO TANQUE DE ÁGUA

Quando o reservatório de água (7) estiver cheio, o indicador (H) acenderá, a operação será interrompida automaticamente e o sinal sonoro soará 15 vezes para alertar o usuário, que a água precisa ser esvaziada do reservatório de água (7). Observe as fotos 4 e 5. O procedimento de drenagem da água é:

- Pressione levemente as laterais do reservatório (7) com as duas mãos e puxe o reservatório suavemente para fora.

- Despeje a água coletada. Se o reservatório de água (7) estiver sujo, lave-o com água fria ou morna.
- OBSERVAÇÃO:** Não retire a bóia (11) do reservatório de água (7). O sensor de água cheio embutido não será mais capaz de detectar o nível de água corretamente sem a pia flutuante (11) e o dispositivo parará de funcionar.
- Ao recolocar o reservatório de água (7), pressione-o firmemente com as duas mãos. Se o tanque não estiver posicionado corretamente, o sensor de água cheio embutido não será ativado, portanto o desumidificador não funcionará.

6. FUNÇÃO DE DRENAGEM CONTÍNUA DE ÁGUA

Após definir o nível de umidade para "CO" no display digital (J), o compressor funcionará continuamente. O usuário pode:

6.a. conecte a mangueira de drenagem (10)

Se o usuário conectar a mangueira de escoamento (10), a água escoará continuamente para a pia/banheira ou outro recipiente externo que você venha a montar. O aparelho possui bocal de escoamento contínuo de água (14) - veja a figura 3. É necessário retirar o reservatório de água (7) para montar a mangueira de escoamento (10) no orifício de escoamento contínuo de água (14). A mangueira de drenagem (10) (com um diâmetro interno de 10 mm) deve ser colocada no orifício de drenagem da porta (14) mostrado na figura 3. A água pode ser drenada continuamente para fora da porta (14).

6.b. não conecte a mangueira de drenagem (10).

Se o usuário não conectar a mangueira de escoamento (10), a água escoará para o reservatório de água (7). Quando o reservatório de água (7) estiver cheio, o dispositivo parará a operação automaticamente.

7. FUNÇÃO DE DESCONGELAMENTO AUTOMÁTICO

Quando o gelo se acumula na serpentina do evaporador integrado, o compressor desliga e o dispositivo entra no modo de autodescongelamento automaticamente. Após a conclusão do modo de descongelamento, o dispositivo retornará às configurações de operação anteriores. Quando o dispositivo estiver funcionando em uma sala com temperatura entre 5 graus Celsius e 12 graus Celsius, ele entrará no modo de autodescongelamento aproximadamente a cada 30 minutos. Quando o dispositivo estiver funcionando em uma sala com temperatura entre 12 graus Celsius e 20 graus Celsius, ele entrará no modo de autodescongelamento aproximadamente a cada 45 minutos.

Limpeza e manutenção

1. Desligue a unidade e desconecte o cabo de alimentação antes de iniciar qualquer limpeza ou outra manutenção de rotina.
2. Para evitar o risco de choque elétrico, nunca borrife ou derrame água no desumidificador durante a limpeza.
3. Desligue o aparelho e esvazie a água do reservatório antes de mover o aparelho. Certifique-se de segurar pela alça enquanto se move.
4. Limpe a caixa do dispositivo com um pano úmido.
5. Não desmonte o flutuador (11) do reservatório de água (7). Para limpar o reservatório de água (7) não utilize detergente, esfregões, panos quimicamente tratados, gasolina, benzeno, diluente ou outros solventes, pois podem arranhar e danificar o reservatório e causar vazamento de água.
6. Antes da operação contínua planejada por um longo período, a verificação periódica é necessária, especialmente para o filtro de ar líquido (12) e a mangueira de drenagem (10).
7. Para limpar ou substituir os filtros deve-se:
 - desligue a ficha e retire o depósito de água (7),
 - retire a grade (13) conforme a figura 6,
 - retire cuidadosamente o filtro de ar líquido (12) da grelha do filtro (13),
 - limpe o filtro a cada duas semanas com um aspirador. Passe um aspirador levemente sobre a superfície do filtro de ar (12) para remover a sujeira. Se o filtro de ar (12) estiver muito sujo, lave-o com água morna e um produto de limpeza suave e seque bem. O desempenho da desumidificação pode diminuir quando o filtro está entupido com detritos.
 - coloque o filtro dentro da grelha do filtro e volte a montá-los na caixa do dispositivo.
8. Não limpe o dispositivo com gasolina, diluente ou detergente líquido.
9. Armazenamento: quando o dispositivo não for usado por um longo período de tempo e você quiser armazená-lo, observe os seguintes passos:
 - Esvazie a água restante no depósito de água.
 - Dobre o cabo de alimentação (8) e coloque-o no interior do depósito de água (7).
 - Limpe o filtro de ar da rede (12).
 - Armazene em local fresco e seco.

SOLUÇÃO DE PROBLEMAS

Se ocorrer uma condição listada abaixo, verifique os itens a seguir antes de ligar para o atendimento ao cliente.

Problema 1: O dispositivo não funciona.

Possível motivo 1: O cabo de alimentação foi desconectado?

Solução do problema: Conecte o cabo de alimentação na tomada.

Possível motivo 2: O indicador de tanque de água cheio (H) está piscando?

Solução do problema: O tanque está cheio ou na posição errada. Esvazie o depósito de água (7) e volte a colocar o depósito.

Possível razão 3: A temperatura da sala está acima de 35 graus Celsius ou abaixo de 5 graus Celsius?

Solução do problema: O dispositivo de proteção embutido é ativado e o desumidificador não pode ser iniciado na temperatura da sala acima de 35 graus Celsius ou abaixo de 5 graus Celsius.

Problema 2: A função de desumidificação não funciona

Possível motivo 1: O filtro de ar da rede (12) está entupido?

Problema de solução 1: Limpe o filtro de ar conforme instruído em "Limpeza e manutenção" – ponto 7.

Possível motivo 2: A entrada de ar (5) ou a saída de ar (2) está obstruída?

Solução do problema: Remova a obstrução.

Problema 3: Nenhum ar é descarregado.

Possível motivo 1: O filtro de ar da rede (12) está entupido?

Solução do problema: Limpe o filtro de ar conforme indicado em "Limpeza e Manutenção" - ponto 7.

Problema 4: A operação é ruidosa

Possível motivo 1: O dispositivo está inclinado ou com uma posição instável?

Solução do problema: mova o dispositivo para uma superfície estável, plana e resistente.

Possível motivo 2: O filtro de ar da rede (12) está entupido?

Solução do problema: Limpe o filtro de ar conforme indicado em "Limpeza e Manutenção" - ponto 7.

Problema 5: Código E1 mostrado no indicador digital (J)

Possível motivo 1: Curto-circuito ou circuito aberto no sensor da bobina

Solução do problema: Entre em contato com o vendedor que emitiu sua nota fi

DATA TÉCNICA:

Capacidade de desumidificação a 30°C / 80% UR): 10 litros / 24 horas

Nível de ruído: <= 42dB(A)

Capacidade do tanque de água: 2,0 litros

Fluxo de ar: 150m³/hora

Peso do refrigerante R290: 45 gramas

Potência nominal de entrada: 280 W

Fonte de alimentação: 220-240V ~ 50Hz



Cuidado, risco de incêndio.

NÃO perfure ou queime.

Esteja ciente de que o refrigerante pode não conter odor.

O dispositivo deve ser instalado, operado e armazenado em uma sala com área de piso superior a 4 m.².

A quantidade máxima de carga de refrigerante: 45g.



Proteção do meio ambiente. Rogamos, os embalagens de cartão destinem-se para papéis velhos. Os sacos de polietileno (PE) devem-se colocar em contenedores para material plástico. O dispositivo usado deve-se levar a um ponto de armazenamento adequado porque os componentes perigosos que ficam dentro do dispositivo podem ser perigosos para o meio ambiente. O dispositivo elétrico deve-se entregar de modo que se reduza a sua nova utilização e uso. Se no dispositivo há pilhas, devem-se tirar e levar a um ponto de armazenamento em separado. Não colocar o dispositivo em contenedores para resíduos municipais!!

LIETUVIŲ

BENDROSIS SAUGOS SAŲYGOS

SVARBIOS SAUGOS INSTRUKCIJOS ATSARGIAI Perskaitykite ir išsaugokite ateičiai

1. Prieš naudodamiesi prietaisu, perskaitykite naudojimo vadovą ir vykdykite jame pateiktas instrukcijas. Gamintojas neatsako už žalą, padarytą naudojant įrenginį ne pagal paskirtį ar netinkamai naudojant.
2. Prietaisas skirtas naudoti tik namuose. Nenaudokite kitiems tikslams, kurie nėra numatyti.
3. Prietaisą reikia prijungti tik prie įžeminto 220 240 V ~ 50 Hz lizdo. Norint padidinti eksploataavimo saugą, keli elektros prietaisai neturėtų būti jungiami prie vienos srovės grandinės tuo pačiu metu.
4. Būkite ypač atsargūs naudodamiesi prietaisu, kai šalia yra vaikai. Neleiskite vaikams žaisti su šiuo prietaisu, neleiskite vaikams ar žmonėms, nepažįstamiems prietaiso, juo naudotis.
5. ĮSPĖJIMAS: Šia įranga gali naudotis vyresni nei 8 metų vaikai ir ribotų fizinių, jutimo ar protinių galimybių žmonės arba žmonės, neturintys patirties ar žinių apie įrangą, jei tai atliekama prižiūrint atsakingam asmeniui. jų saugumui ar jiems buvo suteikta informacija apie saugų prietaiso naudojimą ir žino apie jo naudojimo pavojus. Vaikai neturėtų žaisti su įranga. Valyti ir prižiūrėti prietaisą neturėtų vaikai, išskyrus tuos atvejus, kai jie yra vyresni nei

8 metų, o šios veiklos atliekamos prižiūrint.

6. Po naudojimo visada atjunkite maitinimo kištuką, laikydami už rankos lizdą.

NENUDIRKITE maitinimo laido.

7. Nemerkite laido, kištuko ir viso prietaiso į vandenį ar kitą skystį. Saugokite prietaisą nuo atmosferos sąlygų (lietaus, saulės ir pan.) Ir nenaudokite didelės drėgmės sąlygomis (vonios kambariai, drėgni mobilūs namai).

8. Periodiškai tikrinkite maitinimo laido būklę. Jei maitinimo laidas yra pažeistas, jį reikia pakeisti specializuotoje remonto dirbtuvėje, kad būtų išvengta pavojaus.

9. Nenaudokite prietaiso su pažeistu maitinimo laidu, jei jis buvo numestas ar kitaip pažeistas, arba jis veikia netinkamai. Netaisykite prietaiso patys, nes kyla elektros smūgio rizika. Nuvežkite sugadintą prietaisą į tinkamą aptarnavimo centrą patikrinti ar pataisyti.

Visus remonto darbus gali atlikti tik įgalioti techninės priežiūros punktai. Neteisingai atliktas remontas gali sukelti rimtą pavojų vartotojui.

10. Padėkite prietaisą ant vėsių, stabilių paviršių, atokiau nuo karštų virtuvės prietaisų, tokių kaip: elektrinė viryklė, dujinis degiklis ir kt.

11. Įsitinkinkite, kad niekas neužstoja prietaiso oro įleidimo ir išleidimo angos

12. Naudokite prietaisą tik ant lygaus paviršiaus, kad nesusidarytų kondensatas

13. Norint užtikrinti papildomą apsaugą, patartina į elektros grandinę įmontuoti likutinės srovės įtaisą (RCD), kurio vardinė likutinė srovė neviršytų 30mA. Dėl to kreipkitės į elektriką.

14. Reguliariai valykite oro filtrą. Valymo dažnumas priklauso nuo oro švara.

15. Išjungę mašiną, prieš vėl įjungdami, palaukite bent 5 minutes.

16. Norint veiksmingai nusausinti drėgnumą, tarp prietaisų šoninių sienelių ir suspaustų baldų ar užuolaidų turėtų būti naudojamas ne mažesnis kaip 20 cm tarpas.

17. Kad išvengtumėte gaisro ar sprogimo pavojaus, nepurkškite džiovintuvo

18. Norėdami naudoti korpuso dalis, nedėkite sausintuvo šalia šildymo prietaisų.

19. Pašalinkite iš rezervuaro surinktą vandenį. Netyčia gerdamas vandenį ar vartodamas jį su kitais žmonėmis, gali susirgti.

20. Nepalaike prietaisų, kurių nuimtas galinis dangtis yra dėl judančių ir karštų dalių.

21. Atšildymui ar veikimui nenaudokite jokių kitų priemonių, išskyrus tas, kurias rekomenduoja gamintojas.

22. Prietaisą turėtų būti galima įsigyti kaip nuolatinio uždegimo šaltinių sąrašo, t. Y. Be atviros liepsnos, be darbinio dujų įtaiso ar be darbinio prietaiso šildytuvo.

23. Negalima pradurti ir nerūkyti.

24. Atminkite, kad šildymo įrenginių gamintojai neturi kvapiųjų medžiagų.

Prieš pirmąjį naudojimą:

1. Oro sausintuvą turi būti naudojamas ant lygaus ir stabilaus paviršiaus, kad būtų užtikrintas tinkamas efektyvumas, išlaikykite atstumus tarp įrenginio ir kitų objektų pagal 1 paveikslą. Uždarykite visus kambario, kuriame norite pašalinti orą, langus ir duris.

2. Kad vanduo neužšaltų, nenaudokite sausintuvo ir išleidimo žarnos, kai aplinkos temperatūra yra žemesnė nei 0 ° C.

3. Nenaudokite sausintuvo lauke. Dėl tiesioginių saulės spindulių ar lietaus gali perkaisti, kilti elektros smūgis ir kilti gaisras.

4. Nedėkite vandens rezervuaro ant sausintuvo, kad vanduo nepatektų į įrenginio vidų ir nesugadintų jo izoliacijos.

5. Niekada nemėginkite naudoti sausintuvo specialiam naudojimui, pavyzdžiui, maisto sausinimui, meno objektų konservavimui ar pan.

6. Nenaudokite sausintuvo ten, kur gali nutekėti alyva arba degios dujos. Nenaudokite įrenginio vietose, kuriose yra chemikalų.

7. Norėdami nuolat nusausinti, įsitinkinkite, kad išleidimo žarna nustatyta tinkamai su nuolydžiu.

8. Būkite atsargūs, kad šildymo prietaisas nepatektų vėjo iš sausintuvo.

9. Nenaudokite sausintuvo kaip kėdės ar kojės.
10. Nenuimkite plūdės svirties iš vandens rezervuaro.
11. Neužblokuokite oro įleidimo angų ir išleidimo angų.
12. Neuždenkite prietaiso skalbiamais drabužiais.
13. Prieš pradėdami ilgą laiką nepertraukiamai eksploatuoti, reikia periodiškai tikrinti oro valymo filtrą, išleidimo žarną ar pan.
14. Prietaisas turi būti montuojamas, eksploatuojamas ir laikomas patalpoje, kurios grindų plotas didesnis nei 4 kvadratiniai metrai, ir patalpoje su gerai vėdinama patalpa.
15. Niekada neikiškite pirštų, strypų į oro išleidimo ir įleidimo angas.

Produkto aprašymas: AD7861 oro sausintuvas (2 pav.)

- | | | |
|--------------------------------------|---|---------------------------|
| 1. Rankena, kad būtų lengva nešiotis | 2. Oro išleidimo anga | 3. Galinis korpusas |
| 4. Valdymo skydelis | 5. Oro įleidimo anga | 6. Priekinis korpusas |
| 7. Vandens bakas 2.0L | 8. Maitinimo laidas | 9. Kojelė |
| 10. Išleidimo žarna | 11. Plūdinė praustuvas | 12. Tinklinis oro filtras |
| 13. Filtru grotelės | 14. Nepertraukiamo vandens nuleidimo anga | |

kontrolės skydelis

- A. Maitinimo mygtukas B. Norimos drėgmės mažinimo mygtukas
 C. Norimos drėgmės padidinimo mygtukas D. Laikmačio 0–24 valandų mygtukas
 E. Laikmačio indikatorius F. savaiminio atitirpimo indikatorius
 G. Kompresoriaus aktyvumo indikatorius H. Pilno vandens bako indikatorius
 J. Skaitmeninis „88“ indikatorius

Skaitmeninis „88“ indikatorius (J) parodys:

- pasirinktas pageidaujamas drėgmės lygis diapazone: 30-90 procentų santykinės drėgmės (RH)
- valandos diapazone: 1-24, kai užprogramavote atidėtą paleidimą arba atidėtą sustabdymą
- "LO" - reiškia žemą, kai aplinkos drėgmė yra mažesnė nei 35%.
- "HI" - reiškia aukštą, kai aplinkos drėgnumas didesnis nei 95%.

NAUDOJIMAS

1. Įjunkite įrenginį.
2. Paspauskite maitinimo mygtuką (A), kad pradėtumėte veikti, užsidegs skaitmeninis „88“ indikatorius (J). Norėdami sustabdyti veikimą, dar kartą paspauskite maitinimo mygtuką (A).
3. Paspauskite apačią (C) arba (D), kad nustatytumėte pageidaujamą drėgmės lygį patalpoje, kurį galima nustatyti nuo 30% iki 90% 5% intervalais arba „CO“.

Po tam tikro darbo laikotarpio:

- kai aplinkos drėgmė yra 2 % mažesnė už pasirinktą drėgmę, kompresorius sustos,
- kai aplinkos drėgmė yra lygi arba 3 % didesnė už pasirinktą drėgmę, kompresorius vėl įsijungs praėjus 3 minučių kompresoriaus apsaugos laikui.

4. LAIKMAČIO FUNKCIJA

Paspausdus laikmačio mygtuką (D), bus nustatytas laikas:

- kai įrenginys įjungtas, kad būtų nustatyta atidėto sustabdymo funkcija: Pakartotinai spausdami laikmačio mygtuką (D) nustatysite norimą laiką, jis cirkuliuos nuo 0-1-2.....23-24. Laiko indikatorius (E) užsidegs. Įrenginys nustos veikti, kai praeis norimas laikas.
- kai įrenginys išjungtas, kad būtų nustatyta atidėto paleidimo funkcija: Pakartotinai spausdami laikmačio mygtuką (D) nustatysite norimą laiką, jis cirkuliuos nuo 0-1-2.....23-24. Laiko indikatorius (E) užsidegs. Įrenginys pradės veikti, kai praeis norimas laikas.

Norėdami atšaukti laikmačio programavimą, paspauskite laikmačio mygtuką (D) iki nulio.

Užprogramuotas laikas nesikeičia, jei mašina nustoja veikti dėl pilno vandens bako arba savaiminio atitirpinimo metu.

5. VANDENS TALPALĖS IŠLEIDIMAS

Kai vandens bakas (7) prisipildo, užsidega indikatorius (H), veikimas automatiškai sustos, o garsinis signalas pypsės 15 kartų, įspėdamas vartotoją, kad iš vandens bako (7) reikia išpilti vandenį. Žiūrėkite 4 ir 5 paveikslėlius. Vandens nuleidimo procedūra yra tokia:

- Abiem rankomis lengvai paspauskite bako šonus (7) ir švelniai ištraukite baką.
 - Surinktą vandenį išpilkite. Jei vandens bakelis (7) nešvarus, nuplaukite jį šaltu arba drungnu vandeniu.
- PASTABA: Neiškirkite plūdinės praustuvo (11) iš vandens bako (7). Integruotas pilno vandens jutiklis nebegalės tinkamai aptikti vandens lygio be plūdinės praustuvo (11) ir prietaisas nustos veikti.
- Dėdami atgal vandens bakelį (7), tvirtai paspauskite baką į vietą abiem rankomis. Jei bakas nėra tinkamai išdėstytas, įmontuotas pilno vandens jutiklis nebus aktyvuotas, todėl drėgmės surinkėjas neveiks.

6. NUOLATINIO VANDENS NUTEIKIMO FUNKCIJA

Skaitmeniniame ekrane (J) nustatius drėgmės lygį į „CO“, kompresorius veiks nuolat. Vartotojas gali:

6.a. prijunkite išleidimo žarną (10)

Jei naudotojas prijungs išleidimo žarną (10), vanduo nuolat nutekės į kriauklę / vonią ar kitą išorinį indą, kurį pastatysite. Įrenginys turi išstiegti vandens nuleidimo angą (14) – žiūrėkite 3 paveikslą. Norint surinkti išleidimo žarną (10) prie nuolatinio vandens nuleidimo angos (14), reikia išimti vandens baką (7). Išleidimo žarna (10) (kurios vidinis skersmuo 10 mm) turi būti uždėta ant išleidimo angos (14), parodytos 3 paveiksle. Vanduo gali būti nuolat išleidžiamas iš angos (14).

6.b. neprijunkite išleidimo žarnos (10).

Jei naudotojas neprijungs išleidimo žarnos (10), vanduo nutekės į vandens baką (7). Kai vandens bakas (7) bus pilnas, prietaisas automatiškai nustos veikti.

7. AUTOMATINIO ATTIIRDYMO FUNKCIJA

Kai ant įmontuoto garintuvo gyvatuko susikaupia šerkšnas, kompresorius išsijungs ir prietaisas automatiškai persijungs į savaiminio atitirpimo režimą. Pasibaigus atitirpinimo režimui, prietaisas grįš į ankstesnius veikimo nustatymus. Kai prietaisas veikia patalpoje, kurios temperatūra yra nuo 5 laipsnių Celsijaus iki 12 laipsnių Celsijaus, jis įjungs savaiminio atitirpimo režimą maždaug kas 30 minučių. Kai prietaisas veikia patalpoje, kurios temperatūra yra nuo 12 laipsnių Celsijaus iki 20 laipsnių Celsijaus, jis įjungs savaiminio atitirpimo režimą maždaug kas 45 minutes.

Valymas ir priežiūra

1. Išjunkite įrenginį ir atjunkite maitinimo kištuką prieš pradėdami bet kokį valymą ar kitą įprastinę priežiūrą.
2. Kad išvengtumėte elektros smūgio pavojaus, valydami niekada nepurškite ir nepilkite vandens ant sausintuvo.
3. Prieš perkeldami nepetraukiamą ilgesnį laiką, išjunkite prietaisą ir išpilkite vandenį iš vandens bakelio. Judėdami būtinai laikykite už rankenos.
4. Drėgna šluoste nuvalykite prietaiso korpusą.
5. Neardykite plūdės (11) iš vandens bako (7). Vandens bakui (7) valyti nenaudokite ploviklių, šveitimo šluosčių, chemiškai apdorotų dulkių šluosčių, benzino, benzolo, skiediklio ar kitų tirpiklių, nes jie gali subraižyti ir sugadinti baką bei sukelti vandens nutekėjimą.
6. Prieš planuojant nepertraukiamą ilgesnį laiką, būtina periodiškai patikrinti oro filtrą (12) ir išleidimo žarną (10).
7. Norėdami išvalyti arba pakeisti filtrus, turite atlikti šiuos veiksmus:
 - ištraukite kištuką ir ištraukite vandens baką (7),
 - nuimkite tinklėlį (13), kaip parodyta 6 paveiksle,
 - švelniai išimkite tinklinį oro filtrą (12) iš filtro grotelių (13),
 - valykite filtrą kas dvi savaites dulkių siurbliu. Dulkių siurbliu lengvai paleiskite oro filtro paviršius (12), kad pašalintumėte nešvarumus. Jei oro filtras (12) yra ypač nešvarus, nuplaukite jį šiltu vandeniu ir švelniu valikliu ir gerai išdžiovinkite. Drėgmės pašalinimo efektyvumas gali sumažėti, kai filtras užsikimšęs šiukšlėmis.
8. Įdėkite filtrą į filtro groteles ir sumontuokite atgal į įrenginio korpusą.
8. Nevalykite prietaiso benzinu, skiedikliu ar skystu plovikliu.
9. Sandėliavimas: kai įrenginys nenaudojamas ilgą laiką ir norite jį saugoti, atkreipkite dėmesį į šiuos veiksmus:
 - Ištuštinkite vandens bakelyje likusį vandenį.
 - Sulenkite maitinimo laidą (8) ir įkiškite į vandens bako (7) vidų.
 - Išvalykite tinklinį oro filtrą (12).
 - Laikyti vėsioje ir sausoje vietoje.

PROBLEMŲ SPRENDIMAS

Jei atsiranda toliau išvardyta būklė, prieš skambindami klientų aptarnavimo tarnybai, patikrinkite šiuos dalykus.

1 problema: įrenginys neveikia.

1 galima priežastis: ar atjungtas maitinimo laidas?

Problemos sprendimas: įkiškite maitinimo laidą į elektros lizdą.

2 galima priežastis: ar mirksi pilno vandens bako indikatorius (H)?

Problemos sprendimas: bakas pilnas arba netinkamoje padėtyje. Ištuštinkite vandens baką (7) ir vėl nustatykite baką.

3 galima priežastis: ar kambario temperatūra aukštesnė nei 35 laipsniai Celsijaus ar žemesnė nei 5 laipsniai Celsijaus?

Problemos sprendimas: [sijungia įmontuotas apsaugos įtaisas ir oro sausintuvas negali būti įjungtas, kai patalpos temperatūra aukštesnė nei 35 laipsnių Celsijaus arba žemesnė nei 5 laipsniai Celsijaus.

2 problema: neveikia drėgmės šalinimo funkcija

1 galima priežastis: ar tinklinis oro filtras (12) užsikimšęs?

1 problemos sprendimas: išvalykite oro filtrą, kaip nurodyta skyriuje „Valymas ir priežiūra“ – 7 punktas.

2 galima priežastis: ar oro įleidimo anga (5) arba oro išleidimo anga (2) užkimšta?

Problemos sprendimas: pašalinkite kliūtį.

3 problema: neišleidžiamas oras.

1 galima priežastis: ar tinklinis oro filtras (12) užsikimšęs?

Problemos sprendimas: išvalykite oro filtrą, kaip nurodyta skyriuje „Valymas ir priežiūra“ – 7 punktas.

4 problema: veikia triukšmingai

1 galima priežastis: ar prietaisas yra pakreiptas arba nestabilus?

Problemos sprendimas: perkelti įrenginį ant stabilaus, lygaus, tvirto paviršiaus.

2 galima priežastis: ar tinklinis oro filtras (12) užsikimšęs?

Problemos sprendimas: išvalykite oro filtrą, kaip nurodyta skyriuje „Valymas ir priežiūra“ – 7 punktas.

5 problema: E1 kodas rodomas skaitmeniniame indikatoriuje (J)

1 galima priežastis: rītės jutiklio trumpasis jungimas arba atvira grandinė

Problemos sprendimas: susisiekiite su pardavėju, kuris išrašė pirkimo sąskaitą.

TECHNINĖ DATA:

Dregmės šalinimo pajėgumas esant 30°C / 80% RH): 10 litrų / 24 val.

Triukšmo lygis: <= 42dB(A)

Vandens bako talpa: 2,0 litro

Oro srautas: 150m³/val

R290 aušinimo skysčio svoris: 45 gramai

Nominali įvesties galia: 280W

Maitinimas: 220-240V ~50Hz



Atsargiai, gaisro pavojus.

NEGALIMA pradurti ir nedeginti.

Žinokite, kad šaltnešyje gali nebūti kvapo.

Prietaisas turi būti montuojamas, eksploatuojamas ir laikomas patalpoje, kurios grindų plotas didesnis nei 4 m.².

Maksimalus šaltnešio kiekis: 45 g.



Rūpinantis aplinka. Kartono pakuotes atiduoti į makulatūrą. Polietileno (PE) maišelius mesti į plastikui skirtą konteinerį. Susidėvėjusį prietaisą atiduoti į atitinkamą atliekų surinkimo vietą, nes prietaise esančios pavojingos medžiagos gali kelti grėsmę aplinkai. Elektrinį prietaisą atiduoti tokį, kad nebūtų galima jo pakartotinai naudoti ir panaudoti. Jeigu prietaise yra baterijos, būtina jas išimti ir atskirai atiduoti į atliekų surinkimo vietą.

Nemesti prietaiso į buitinių atliekų konteinerį!

LATVIEŠU

VISPĀRĪGIE DROŠĪBAS NOSACĪJUMI

SVARĪGAS DROŠĪBAS INSTRUKCIJAS RŪPĪGI LASĪT UN SAUDZĒT NĀKOTNĒM

1. Pirms ierīces izmantošanas izlasiet lietošanas instrukciju un ievērojiet tajā sniegtos norādījumus. Izgatavotājs nav atbildīgs par zaudējumiem, kas radušies, izmantojot ierīci pretēji paredzētajam mērķim vai nepareizu darbību.
2. Ierīce paredzēta tikai lietošanai mājās. Nelietojiet citiem mērķiem, kas nav paredzēti paredzētajam mērķim.
3. Ierīce jāpievieno maiņstrāvas kontaktligzdai tikai ar iezemētu 220 240 V ~ 50Hz. Lai palielinātu ekspluatācijas drošību, vairākas elektriskās ierīces nedrīkst būt savienotas vienā strāvas ķēdē vienlaikus.
4. Esiet īpaši piesardzīgs, lietojot ierīci, kad tuvumā ir bērni. Neļaujiet bērniem spēlēt ar ierīci, neļaujiet to lietot bērniem vai cilvēkiem, kuri to nepazīst.
5. BRĪDINĀJUMS. Šo aprīkojumu var izmantot bērni, kas vecāki par 8 gadiem, un cilvēki ar ierobežotām fiziskām, maņu vai garīgajām spējām vai cilvēki, kuriem nav pieredzes vai zināšanu par šo aprīkojumu, ja tas tiek veikts atbildīgas personas uzraudzībā. Viņu drošībai vai viņiem ir piešķirta informācija par ierīces drošu lietošanu un viņi apzinās tās lietošanas bīstamību. Bērni nedrīkst spēlēt ar aprīkojumu. Ierīces tīrīšanu un apkopi nedrīkst veikt bērni, ja vien viņi ir vecāki par 8 gadiem un šīs darbības tiek veiktas uzraudzībā.
6. Pēc lietošanas vienmēr atvienojiet strāvas kontaktdakšu, turot kontaktlīgzdu ar roku. NEvelciet strāvas vadu.
7. Neiegremdējiet kabeli, kontaktdakšu un visu ierīci ūdenī vai citā šķidrumā. Nepakļaujiet ierīci atmosfēras iedarbībai (lietus, saule utt.) Vai nelietojiet paaugstināta mitruma apstākļos (vannas istabas, mitras pārvietojamās mājas).

8. Periodiski pārbaudiet strāvas vada stāvokli. Ja strāvas vads ir bojāts, tas jāmaina specializētā remontdarbnīcā, lai izvairītos no briesmām.
9. Nelietojiet ierīci ar bojātu strāvas vadu, ja tā ir nomesta vai citādi bojāta, vai arī tā nedarbojas pareizi. Neuzlabojiet ierīci pats, jo pastāv elektriskās strāvas trieciena risks. Nogādājiet bojāto ierīci pārbaudei vai labošanai atbilstošā servisa centrā. Visus remontdarbus drīkst veikt tikai pilnvaroti servisa punkti. Nepareizi veikts remonts var radīt nopietnas briesmas lietotājam.
10. Novietojiet ierīci uz vēsas, stabilas virsmas, prom no karstām virtuves ierīcēm, piemēram, elektriskās plīts, gāzes degļa utt.
11. Pārlicinieties, ka nekas neliedz ierīces gaisa ieplūdi un izplūdi
12. Izmantojiet ierīci tikai uz līdzenas virsmas, lai novērstu kondensāta izliešanu
13. Lai nodrošinātu papildu aizsardzību, ieteicams elektriskajā ķēdē uzstādīt atlikušās strāvas ierīci (RCD) ar nominālo atlikušo strāvu, kas nepārsniedz 30mA. Par to jautājiet elektriķim.
14. Regulāri notīriet gaisa filtru. Tīrīšanas biežums ir atkarīgs no gaisa tīrības.
15. Pēc mašīnas izslēgšanas nogaidiet vismaz 5 minūtes, pirms to atkal ieslēdzat.
16. Efektīvai gaisa mitrināšanai starp ierīču sānu sienām un saspīestajām mēbelēm vai aizkariem jāizmanto vismaz 20 cm atstarpe.
17. Lai izvairītos no ugunsgrēka vai eksplozijas riska, nesmidziniet žāvētāju
18. Lai izmantotu korpusa detaļas, nenovietojiet sausinātāju sildīšanas ierīču tuvumā.
19. Izņemiet no tvertnes savāktos ūdeni. Ja nejauši dzerat ūdeni vai lietojat to kopā ar citiem cilvēkiem, tas var izraisīt slimības.
20. Neatbalsta ierīces ar aizmugures pārsegu kustīgu un karstu detaļu dēļ.
21. Atkausēšanas vai darbības procesa veikšanai nelietojiet citus līdzekļus, izņemot tos, kurus ieteicis ražotājs.
22. Ierīcei jābūt pieejamai pastāvīga aizdedzes avotu saraksta ietvaros, t.i., bez atklātas liesmas, bez darbīgas gāzes ierīces vai bez darba ierīces sildītāja.
23. Neuzdurt un nesmeķēt.
24. Lūdzu, ņemiet vērā, ka saldēšanas iekārtu ražotāji nedrīkst saturēt aromātu.

Pirms pirmās lietošanas:

1. Sausinātājs jāizmanto uz līdzenas un stabilas virsmas, lai nodrošinātu piemērotu efektivitāti, ievērojiet attālumus starp vienību un citiem objektiem saskaņā ar 1. attēlu. Aizveriet visus telpas logus un durvis, no kurām vēlaties mitrināt gaisu.
2. Lai nepieļautu ūdens sasaldēšanu, nelietojiet sausinātāju un kanalizācijas šļūteni apkārtējās vides temperatūrā zem 0 ° C.
3. Nelietojiet sausinātāju ārpusē. Tiešas saules gaismas vai lietus iedarbība var izraisīt pārkaršanu, elektriskās strāvas triecienu un ugunsgrēku.
4. Nelieciet ūdens tvertni uz sausinātāja, lai izvairītos no jebkādas ūdens izliešanas ierīces iekšpusē un pasliktinātu izolāciju.
5. Nekādā gadījumā nemēģiniet izmantot sausinātāju īpašiem nolūkiem, piemēram, pārtikas sausināšanai vai mākslas priekšmetu konservēšanai vai tamlīdzīgi.
6. Nelietojiet sausinātāju vietā, kur var notikt eļļas vai viegli uzliesmojošas gāzes noplūde. Nelietojiet ierīci vietās, kas pakļautas ķīmiskām vielām.
7. Nepārtrauktas iztukšošanas gadījumā pārlicinieties, ka iztukšošanas šļūtene ir pareizi iestāta ar slīpumu.
8. Esiet piesardzīgs, lai sildīšanas ierīce netiktu pakļauta vēja iedarbībai no sausinātāja.
9. Nelietojiet sausinātāju kā krēslu vai kāju.
10. Neizņemiet pludiņa sviru no ūdens tvertnes.
11. Neaizsprostojiet gaisa ieplūdes atveres un izplūdes atveres.
12. Nepārklājiet ierīci ar mazgātām drēbēm.
13. Pirms ilgstošas ilgstošas darbības periodiski jāpārbauda, jo īpaši gaisa attīrītājam filtram, kanalizācijas šļūtenei vai tamlīdzīgi.

14. Ierīci uzstāda, ekspluatē un uzglabā telpā, kuras grīdas platība ir lielāka par 4 kvadrātmetriem, un telpā ar labi vēdināmu zonu.
15. Nekad nebāziet pirkstus, stienjus gaisa izplūdes un ieplūdes atverēs.

Produkta apraksts: AD7861 gaisa sausinātājs (2. attēls)

- | | | |
|--------------------------------|---|---------------------------|
| 1. Rokturis ērtai pārmēsāšanai | 2. Gaisa izplūdes atvere | 3. Aizmugurējais korpusis |
| 4. Vadības panelis | 5. Gaisa ieplūde | 6. Priekšējais korpusis |
| 7. Ūdens tvertne 2.0L | 8. Strāvas vads | 9. Kāja |
| 10. Drenāžas šļūtene | 11. Pludiņš | 12. Tīkla gaisa filtrs |
| 13. Filtra režģis | 14. Nepārtraukta ūdens novadišanas atvere | |

vadības panelis

- A. Barošanas poga B. Vēlamā mitruma samazināšanas poga
C. Vēlamā mitruma palielināšanas poga D. Taimera 0-24 stundu poga
E. Taimera indikators F. pašatkausēšanas indikators
G. Kompresora darbības indikators H. Pilnas ūdens tvertnes indikators
J. Digitālais "88" indikators

Digitālais indikators "88" (J) rādīs:

- izvēlētais vēlamais mitruma līmenis diapazonā: 30-90 procenti no relatīvā mitruma (RH)
- stundas diapazonā: 1-24, kad ieprogrammējat atlikto startu vai atlikto apturēšanu
- "LO" - nozīmē zemu, ja vides mitrums ir zemāks par 35%
- "HI" - augsts, ja vides mitrums ir lielāks par 95%,

LIETOŠANA

1. Pievienojiet ierīci.

2. Nospiediet barošanas pogu (A), lai sāktu darbību, iedegsies digitālais "88" indikators (J). Vēlreiz nospiediet barošanas pogu (A), lai apturētu darbību.

3. Nospiediet apakšējo (C) vai (D), lai iestatītu vēlamā mitruma līmeni telpā, ko var iestatīt no 30% līdz 90% ar 5% intervālu vai "CO".

Pēc noteikta darba perioda:

- ja vides mitrums ir par 2% zemāks par izvēlēto mitrumu, kompresors apstāsies,
- ja vides mitrums ir vienāds ar vai par 3% augstāks par izvēlēto mitrumu, kompresors tiks restartēts pēc 3 minūšu kompresora aizsardzības laika beigām.

4. TAIMERA FUNKCIJA

Nospiediet taimera pogu (D), lai programmētu laiku:

- kad ierīce ir ieslēgta, lai iestatītu atliktās apturēšanas funkciju:

Atkārtoti nospiežot taimera pogu (D), noregulējiet vēlamā laiku, tas cirkulēs no 0-1-2.....23-24. Iedegsies laika indikators (E). Ierīce pārtrauks darbību, kad būs pagājis vēlamais laiks.

- kad ierīce ir izslēgta, lai iestatītu atliktās palaišanas funkciju:

Atkārtoti nospiežot taimera pogu (D), noregulējiet vēlamā laiku, tas cirkulēs no 0-1-2.....23-24. Iedegsies laika indikators (E). Ierīce sāks darboties, kad būs pagājis vēlamais laiks.

Lai atceltu taimera programmēšanu, nospiediet taimera pogu (D) līdz nullei.

Ieprogrammētais laiks paliek nemainīgs, ja iekārta pārstāj darboties pilnas ūdens tvertnes dēļ vai pašatkausēšanas laikā.

5. ŪDENS Tvertnes IZSLĒGŠANA

Kad ūdens tvertne (7) ir pilna, iedegas indikators (H), darbība tiks automātiski apturēta un summers atskanēs 15 reizes, lai brīdinātu lietotāju, ka ūdens ir jāiztukšo no ūdens tvertnes (7). Apskatiet 4. un 5. attēlu.

- Ar abām rokām viegli nospiediet tvertnes (7) sānus un uzmanīgi izveliciet tvertni.

- Izlejiet savāktā ūdeni. Ja ūdens tvertne (7) ir netīra, izmazgājiet to ar aukstu vai remdenu ūdeni.

PIEZĪME: Neizņemiet pludiņa tvertni (11) no ūdens tvertnes (7). Iebūvētais pilna ūdens sensors vairs nevarēs pareizi noteikt ūdens līmeni bez pludiņa lāpstiņas (11), un ierīce pārtrauks darbību.

- Noliekot atpakaļ ūdens tvertni (7), stingri piespiediet tvertni vietā ar abām rokām. Ja tvertne nav pareizi novietota, iebūvētais pilna ūdens sensors netiks aktivizēts, tāpēc gaisa sausinātājs nedarbosies.

6. NEPĀRTRAUKTA ŪDENS NOTEIKŠANAS FUNKCIJA

Iestatot mitruma līmeni uz "CO" digitālajā displejā (J), kompresors darbosies nepārtraukti. Lietotājs var:

6.a. pievienojiet drenāžas šļūteni (10)

Ja lietotājs pievienos drenāžas šļūteni (10), ūdens nepārtraukti iztecēs uz izlietni/vannu vai citu ārējo tvertni, kuru uzstādīsiet. Ierīcei ir nepārtraukta ūdens novadišanas pieslēgvietā (14) – skatiet 3. attēlu. Nepieciešams izņemt ūdens tvertni (7), lai saliktu drenāžas šļūteni (10) ar nepārtrauktu ūdens novadišanas portu (14). Drenāžas šļūtene (10) (ar iekšējo diametru 10 mm) jāuzliek uz pieslēgvietas (14) iztukšošanas atveres, kas parādīta 3. attēlā. Ūdeni var nepārtraukti iztukšot no atveres (14).

6.b. nepievienojiet drenāžas šļūteni (10).

Ja lietotājs nepievieno iztukšošanas šļūteni (10), ūdens noplūdis ūdens tvertnē (7). Kad ūdens tvertne (7) ir pilna, ierīce automātiski

pārtrauks darboties.

7. AUTOMĀTISKĀS ATKAUSĒŠANAS FUNKCIJA

Kad uz iebūvētās iztvaicētāja spoles sakrājas sarma, kompresors izslēgsies un ierīce automātiski pāries pašatkausēšanas režīmā. Pēc atkausēšanas režīma pabeigšanas ierīce atgriezīsies pie iepriekšējiem darbības iestatījumiem. Kad ierīce darbojas telpā ar temperatūru no 5 grādiem pēc Celsija līdz 12 grādiem pēc Celsija, tā ieslēgsies pašatkausēšanas režīmā aptuveni ik pēc 30 minūtēm. Kad ierīce darbojas telpā ar temperatūru no 12 grādiem pēc Celsija līdz 20 grādiem pēc Celsija, tā ieslēgsies pašatkausēšanas režīmā aptuveni ik pēc 45 minūtēm.

Tīrīšana un apkope

1. Izslēdziet ierīci un atvienojiet strāvas kontaktdakšu, pirms sākat tīrīšanu vai citu kārtējo apkopi.
2. Lai izvairītos no elektriskās strāvas trieciena riska, tīrīšanas laikā nekādā gadījumā neapsmidziniet un neizlejiet to ar ūdeni.
3. Pirms ierīces pārvietošanas izslēdziet ierīci un iztukšojiet ūdeni no ūdens tvertnes. Kustības laikā noteikti turiet aiz rokturu.
4. Noslaukiet ierīces korpusu ar mitru drānu.
5. Neizjauciet pludiņu (11) no ūdens tvertnes (7). Ūdens tvertnes (7) tīrīšanai neizmantojiet mazgāšanas līdzekļus, berzes spilventiņus, ķīmiski apstrādātas putekļu lupatas, benzīnu, benzolu, šķīdinātāju vai citus šķīdinātājus, jo tie var saskrāpēt un sabojāt tvertni un izraisīt ūdens noplūdi.
6. Pirms plānotas ilgstošas darbības, ir nepieciešama periodiska pārbaude, īpaši tīkla gaisa filtram (12) un iztukšošanas šļūtenei (10).
7. Lai notīrītu vai nomainītu filtrus:
 - atvienojiet kontaktdakšu un izņemiet ūdens tvertni (7),
 - noņemiet režģi (13), kā parādīts 6. attēlā,
 - viegli noņemiet neto gaisa filtru (12) no filtra režģa (13),
 - tīriet filtru ik pēc divām nedēļām ar putekļu sūcēju. Viegli palaidiet putekļu sūcēju pa gaisa filtra virsmu (12), lai noņemtu netīrumus. Ja gaisa filtrs (12) ir īpaši netīrs, nomazgājiet to ar siltu ūdeni un maigu tīrīšanas līdzekli un rūpīgi nosusiniet. Sausināšanas veiktspēja var samazināties, ja filtrs ir aizsērējis ar gružiem.
 - ievietojiet filtru filtra režģī un ievietojiet tos atpakaļ ierīces korpusā.
8. Netīriet ierīci ar benzīnu, šķīdinātāju vai šķidru mazgāšanas līdzekli.
9. Glabāšana: ja ierīce netiek lietota ilgu laiku un vēlaties to uzglabāt, ievērojiet šādas darbības:
 - Iztukšojiet visu ūdens tvertnē atlikušo ūdeni.
 - Atlokiet barošanas vadu (8) un ievietojiet to ūdens tvertnes (7) iekšpusē.
 - Iztīriet tīkla gaisa filtru (12).
 - Uzglabāšana vēsā un sausnā vietā.

PROBLĒMU NOVĒRŠANA

Ja rodas kāds tālāk norādītais stāvoklis, lūdzu, pārbaudiet tālāk norādītos vienumus, pirms zvanāt klientu apkalpošanas dienestam.

1. problēma: ierīce nedarbojas.

1. iespējama iemesls: vai strāvas vads ir atvienots?

Problēmas risinājums: pievienojiet strāvas vadu kontaktlīdziem.

2. iespējama iemesls: vai pilnas ūdens tvertnes indikators (H) mirgo?

Problēmas risinājums: tvertne ir pilna vai atrodas nepareizā stāvoklī. Iztukšojiet ūdens tvertni (7) un pēc tam novietojiet tvertni atpakaļ.

Iespējama iemesls 3: Vai telpas temperatūra ir virs 35 grādiem pēc Celsija vai zemāka par 5 grādiem pēc Celsija?

Problēmas risinājums: tiek aktivizēta iebūvētā aizsargierīce un gaisa sausinātāju nevar iedarbināt, ja telpas temperatūra ir virs 35 grādiem pēc Celsija vai zem 5 grādiem pēc Celsija.

2. problēma: nedarbojas mitruma noņemšanas funkcija

1. iespējama iemesls: vai tīkla gaisa filtrs (12) ir aizsērējis?

1. problēmas risinājums: notīriet gaisa filtru, kā norādīts sadaļā "Tīrīšana un apkope" — 7. punkts.

2. iespējama iemesls: vai gaisa ieplūdes atvere (5) vai gaisa izplūdes atvere (2) ir aizsērējusi?

Problēmas risinājums: noņemiet šķērslī.

3. problēma: netiek izvadīts gaiss.

1. iespējama iemesls: vai tīkla gaisa filtrs (12) ir aizsērējis?

Problēmas risinājums: notīriet gaisa filtru, kā norādīts sadaļā "Tīrīšana un apkope" - 7. punkts.

4. problēma: darbība ir trokšņaina

1. iespējama iemesls: vai ierīce ir savērta vai atrodas nestabilā stāvoklī?

Problēmas risinājums: novietojiet ierīci uz stabilas, līdzsvaras, izturīgas virsmas.

2. iespējama iemesls: vai tīkla gaisa filtrs (12) ir aizsērējis?

Problēmas risinājums: notīriet gaisa filtru, kā norādīts sadaļā "Tīrīšana un apkope" - 7. punkts.

5. problēma: E1 kods, kas parādīts uz digitālā indikatora (J)

Iespējama iemesls 1: Spoles sensora īssavienojums vai atvērta ķēde

Problēmas risinājums: sazinieties ar pārdevēju, kurš izrakstīja pirkuma rēķinu.

TEHNISKAIS DATUMS:

Mitruma noņemšanas jauda pie 30°C / 80% RH: 10 litri / 24 stundas

Trokšņa līmenis: <= 42dB(A)

Üdens tvertnes tilpums: 2,0 litri
Gaisa plüsuma: 150m³/st
R290 dzesēšanas šķidrums: 45 grammi
Nominālā ieejas jauda: 280W
Barošana: 220-240V ~50Hz



Uzmanību, ugunsgrēka risks.

NEDRĪKST caurdurt vai sadedzināt.

Nemiet vērā, ka aukstumaģents nedrīkst saturēt smaku.

Ierīce jāuzstāda, jādarbina un jāuzglabā telpā, kuras grīdas platība ir lielāka par 4 m².

Maksimālais aukstumaģenta daudzums: 45g.



Apkārtējās vides aizsardzība. Kartona iepakojumu, lūdzu, nododiet atsevišķi pārstrādei. Polietilēna maisiņus (PE) izmest plastmasas izstrādājumiem paredzētajos konteineros. Lietotās elektropreces nododiet attiecīgajos pieņemšanas punktos. Ierīcē satur bīstamas sastāvdaļas, kas var izraisīt draudus apkārtējai videi. Elektroierīcē jānodod tā, lai ierobežotu tās atkārtotu izmantošanu. Ja ierīcē atrodas baterijas, izņemiet tās un nododiet pieņemšanas punktā atsevišķi. Produktu neizmest sadzīves atkritumu konteinerā!

EESTI

ÜLDISED OHUTUSTINGIMUSED

OLULISED OHUTUSJUHISED LUGEGE ETTEVAATUST JA HOIDKE TULEVIKKU

1. Enne seadme kasutamist lugege kasutusjuhendit ja järgige selles sisalduvaid juhiseid. Tootja ei vastuta kahjude eest, mis on põhjustatud seadme eesmärgipärasest kasutamisest või ebaõigest kasutamisest.
2. Seade on ette nähtud ainult koduseks kasutamiseks. Ärge kasutage muuks otstarbeks kui otstarbeks.
3. Seadme toiteallikat tuleks ühendada ainult maandatud 220-240 V ~ 50Hz sagedusega. Tööohutuse suurendamiseks ei tohiks mitu voluuhelat üheaegselt ühendada.
4. Kui olete läheduses, kasutage seadet eriti ettevaatlikult. Ärge lubage lastel seadmega mängida, ärge lubage lastel ega inimestel, kes pole seadmega tuttavad, seda kasutada.
5. HOIATUS. Seda seadet võivad kasutada üle 8-aastased lapsed ja piiratud füüsilise, sensoorse või vaimse võimekusega inimesed või inimesed, kellel pole seadme kasutamise kohta kogemusi ega teadmisi, kui seda tehakse vastutava isiku järelevalve all. nende ohutuse tagamiseks või neile on antud teavet seadme ohutu kasutamise kohta ja nad on teadlikud selle kasutamisega seotud ohtudest. Lapsed ei tohiks varustusega mängida. Seadme puhastamist ja hooldamist tohivad teha ainult lapsed, välja arvatud juhul, kui nad on üle 8 aasta vanad ja neid toiminguid teostatakse järelevalve all.
6. Ühendage toitepistik alati lahti, hoides pärast kasutamist pistikupesast käega. ÄRGE tõmmake toitejuhtmest.
7. Ärge kastke kaablit, pistikut ja kogu seadet vette ega muusse vedelikku. Ärge jätke seadet atmosfääriolude (vihm, päike jne) kätte ega kasutage kõrge õhuniiskusega tingimustes (vannituba, niiske liikuv kodu).
8. Kontrollige perioodiliselt toitejuhtme seisukorda. Kui toitejuhe on kahjustatud, peaks selle ohu vältimiseks välja vahetama spetsialiseeritud remonditöökojas.
9. Ärge kasutage seadet kahjustatud toitejuhtmega, kui see on maha kukkunud või muul viisil kahjustatud või kui see ei tööta korralikult. Ärge parandage seadet ise, kuna seal võib tekkida elektrilöögi oht. Viige kahjustatud seade kontrollimiseks või parandamiseks vastavasse teeninduskeskusesse. Kõiki remonditöid tohivad teha ainult selleks volitatud

teeninduspunktid. Valesti tehtud remonditööd võivad kasutajale põhjustada tõsiseid ohte.

10. Asetage seade jahedale, kindlale pinnale, eemal kuumadest köögiseadmetest, nagu näiteks: elektripliit, gaasipõleti jne.
11. Veenduge, et miski ei blokeeri seadme õhu sisse- ja väljalaskeava
12. Kasutage seadet ainult tasasel pinnal, et vältida kondensaadi väljavoolamist
13. Täiendava kaitse tagamiseks on soovitatav paigaldada vooluahelasse jääkvoolu seade (RCD), mille nimijäätvool ei ületa 30mA. Küsige seda elektrikult.
14. Puhastage regulaarselt õhufiltrit. Puhastamise sagedus sõltub õhu puhtusest.
15. Pärast masina väljalülitamist oodake enne sisselülitamist vähemalt 5 minutit.
16. Tõhusa õhuniiskuse vähendamiseks tuleks seadmete külge ja kokkusurutud mööbli või kardinate vahel kasutada vähemalt 20 cm pikkust tühikut.
17. Tule- või plahvatusohu vältimiseks ärge pihustage kuivati
18. Korpuse osade kasutamiseks ärge pange õhukuivatit kütteseadmete lähedusse.
19. Eemaldage mahutisse kogutud vesi. Vee tahtmatu joomine või selle kasutamine koos teiste inimestega võib põhjustada haigusi.
20. Ei toeta seadmeid, mille tagakaas on liikuvate ja kuumade osade tõttu eemaldatud.
21. Sulamis- või tööprotsesside läbiviimiseks kasutage ainult tootja soovitatud vahendeid.
22. Seade peaks olema kättesaadav osana pidevast süüteallikate loendist, st ilma lahtise leegi, töötava gaasiseadme või töötava kütteseadmeta.
23. Ärge torgake ega suitsetage.
24. Pange tähele, et külmutusseadmete tootjad ei tohi lõhnaaineid sisaldada.

Enne esimest kasutamist:

1. Kuivatit tuleb kasutada tasasel ja stabiilsel pinnal. Sobiva tõhususe tagamiseks hoidke üksuse ja muude objektide vahel vahemaad vastavalt pildile 1. Sulgege kõik ruumi aknad ja ukсед, kus soovite õhku kuivatada.
2. Vee külmumise vältimiseks ärge kasutage õhukuivatit ja äravooluvoolikut ümbritseva õhu temperatuuril alla 0 ° C.
3. Ärge kasutage õhukuivatit väljas. Otsene päikesevalgus või vihm võivad põhjustada ülekuumenemist, elektrilööki ja tulekahju.
4. Ärge pange veemahutit õhukuivatisse, et vältida vee sissevoolamist seadmesse ja soojustuse kahjustamist.
5. Ärge kunagi proovige kasutada õhukuivatit spetsiaalseks otstarbeks, näiteks toidu kuivatamiseks või kunstiesemete säilitamiseks vms.
6. Ärge kasutage õhukuivatit, kui õli või tuleohtlik gaas võib lekkida. Ärge kasutage seadet kemikaalidega kokkupuutuvates kohtades.
7. Pideva tühjendamise korral veenduge, et tühjendusvoolik on kaldega korralikult kinnitatud.
8. Olge ettevaatlik, et kütteseadet ei oleks kuivati tuule käes.
9. Ärge kasutage õhukuivatit toolina ega jalgadena.
10. Ärge eemaldage ujukikangi veemahutist.
11. Ärge blokeerige õhu sisselaskeavasid ja väljalaskeavasid.
12. Ärge katke seadet pestud riietega.
13. Enne pikaajalist pidevat kasutamist on vaja perioodiliselt kontrollida eriti õhupuhasti filtrit, äravooluvoolikut vms.
14. Seade tuleb paigaldada, kaitada ja hoida ruumis, mille põrandapind on suurem kui 4 ruutmeetrit, ja ruumis, kus on hea ventilatsioon.
15. Ärge kunagi pange sõrmi, vardaid õhu väljalaske- ja sisselaskeavasse.

Tootekirjeldus: AD7861 õhukuivati (pilt 2)

- | | | |
|--------------------------------------|---------------------------|--------------------|
| 1. Käepide lihtsaks kaasaskandmiseks | 2. Õhu väljalaskeava | 3. Tagumine korpus |
| 4. Juhtpaneel | 5. Õhu sisselaskeava | 6. Esikorpus |
| 7. Veepaak 2,0L | 8. Toitejuhe | 9. Jalg |
| 10. Tühjendusvoolik | 11. Ujuklaev | 12. Võrguõhufilter |
| 13. Filtrirest | 14. Pidev vee äravooluava | |

kontrollpaneel

- | | |
|--|---------------------------------------|
| A. Toitenupp | B. Soovitud niiskuse vähendamise nupp |
| C. Soovitud niiskuse suurendamise nupp | D. Taimer 0-24 tunni nupp |
| E. Taimer indikaator | F. isesulatus indikaator |
| G. Kompressori aktiivsuse indikaator | H. Täis veepaagi indikaator |

J. Digitaalne "88" indikaator

Digitaalne indikaator "88" (J) näitab:

- valitud soovitud niiskustase vahemikus: 30-90 protsenti suhtelisest õhuniiskusest (RH)
- tunnid vahemikus: 1-24, kui programmeerite viitkävivutuse või viivitusega seiskamise
- "LO" – tähendab madalat, kui keskkonna niiskus on alla 35%
- "HI" - tähendab kõrget, kui õhuniiskus on kõrgem kui 95%.

KASUTAMINE

1. Ühendage seade vooluvõrku.

2. Vajutage töö alustamiseks toitenuppu (A), süttib digitaalne "88" indikaator (J). Töötamise peatamiseks vajutage uuesti toitenuppu (A).

3. Vajutage alumist (C) või (D) nuppu, et seada ruumis soovitud niiskustase, mida saab seada 30% kuni 90% 5% intervalliga või "CO".

Pärast teatud tööperioodi:

- kui keskkonna niiskus on valitud niiskusest 2% madalam, siis kompressor seiskub,
- kui keskkonna niiskus on valitud niiskusega võrdne või sellest 3% kõrgem, käivitub kompressor uuesti 3-minutilise kompressori kaitseaja möödumisel.

4. TAIMER FUNKTSIOON

Vajutage taimeri nuppu (D), et programmeerida kellaag:

- kui seade on viivitusega seiskamise funktsiooni seadistamiseks sisse lülitatud:

Taimeri nupu (D) korduvalt vajutades reguleerige soovitud aega, see liigub vahemikus 0-1-2.....23-24. Aja indikaator (E) süttib. Seade peatub soovitud aja möödudes.

- kui seade on viitkävivutuse funktsiooni seadistamiseks välja lülitatud:

Taimeri nupu (D) korduvalt vajutades reguleerige soovitud aega, see liigub vahemikus 0-1-2.....23-24. Aja indikaator (E) süttib. Seade alustab tööd soovitud aja möödudes.

Taimeri programmeerimise tühistamiseks vajutage taimeri nuppu (D) nulli.

Programmeeritud aeg jääb muutumatuks, kui masin lakkab töötamast veepaagi täitumise tõttu või isesulutamise ajal.

5. VEEPAAGI TÜHJENDAMINE

Kui veepaak (7) on täis, süttib indikaator (H), töö peatub automaatselt ja helisignaal annab 15 korda piiksu, et teavitada kasutajat, et vesi tuleb veepaagist (7) tühjendada. Vaadake pilti 4 ja 5. Vee äravoolu protseduur on järgmine:

- Vajutage kahe käega kergelt paagi (7) külgedele ja tõmmake paak ettevaatlikult välja.
- Valage kogutud vesi välja. Kui veepaak (7) on määrdunud, peske seda külma või leige veega.

MÄRKUS: Ärge eemaldage ujuki (11) veepaagist (7). Sisseehitatud täisveeandur ei suuda enam ilma ujuki (11) veetaset õigesti tuvastada ja seade lakkab töötamast.

- Veepaaki (7) tagasi pannes suruge paak kahe käega kindlalt oma kohale. Kui paak ei ole õigesti paigutatud, ei aktiveerita sisseehitatud täisveeandurit, mistõttu õhukuivati ei tööta.

6. PIDEV VEE VÄLJASTUSE FUNKTSIOON

Kui seadistate digitaalnäidikul (J) niiskustasemeks "CO", töötab kompressor pidevalt. Kasutaja saab:

6.a. ühendage äravooluvoolik (10)

Kui kasutaja ühendab äravooluvooliku (10), voolab vesi pidevalt kraanikaussi/vanni või muusse välismahutisse, mille paigaldade. Seadmel on pidev vee äravooluava (14) – vaadake pilti 3. Tühjendusvooliku (10) ühendamiseks pideva vee äravooluava (14) külge tuleb veepaak (7) välja võtta. Tühjendusvoolik (10) (siseläbimõõduga 10 mm) tuleb asetada pildil 3 näidatud pordi (14) äravooluava külge. Vett saab pidevalt pordist (14) välja lasta.

6.b. ära ühenda äravooluvoolikut (10).

Kui kasutaja ei ühenda äravooluvoolikut (10), voolab vesi veepaaki (7). Kui veepaak (7) on täis, lõpetab seade automaatselt töö.

7. AUTOMAATNE SULATUSFUNKTSIOON

Kui sisseehitatud aurusti spiraalile koguneb härmatis, lülitub kompressor välja ja seade lülitub automaatselt isesulatusrežiimile. Pärast sulatusrežiimi lõppu naaseb seade varasematele töösetetele. Kui seade töötab ruumis, mille temperatuur jääb vahemikku 5–12 kraadi Celsiuse järgi, lülitub see isesulatusrežiimile ligikaudu iga 30 minuti järel. Kui seade töötab ruumis, mille temperatuur jääb vahemikku 12–20 kraadi Celsiuse järgi, lülitub see isesulatusrežiimile ligikaudu iga 45 minuti järel.

Puhastamine ja hooldus

1. Lülitage seade välja ja eemaldage toitepistik enne mis tahes puhastamise või muu rutinise hoolduse alustamist.
2. Elektrioõgihoo vältimiseks ärge kunagi piserdage ega piserdage seda puhastamise ajal vett.
3. Enne seadme teisaldamist lülitage seade välja ja tühjendage veepaagist vesi. Hoidke liikumise ajal kindlasti käepidemest.
4. Pühkige seadme korpus märja lapiga üle.
5. Ärge võtke ujukit (11) veepaagist (7) lahti. Ärge kasutage veepaagi (7) puhastamiseks puhastusvahendeid, küürimislappe, keemiliselt töödeldud tolmulappe, bensiini, benseeni, lahustit ega muid lahusteid, kuna need võivad paaki kriimustada ja kahjustada ning põhjustada veelekke.
6. Enne kavandatud pikaajalist pidevat kasutamist tuleb perioodiliselt kontrollida eelkõige võrguõhufiltrit (12) ja äravooluvoolikut (10).

7. Filtrite puhastamiseks või vahetamiseks tuleks teha järgmist.

- eemaldage pistik ja eemaldage veepaak (7),

- eemaldage võre (13) nagu näidatud pildil 6,

- eemaldage õhufilter (12) õrnalt filtrivõrest (13),

- puhastage filtrit tolmuimejaga iga kahe nädala tagant. Mustuse eemaldamiseks laske tolmuimejaga kergelt üle õhufiltri (12) pinna. Kui õhufilter (12) on erakordselt määrdunud, peske seda sooja vee ja pehme puhastusvahendiga ning kuivatage hoolikalt. Kuivatusvõime võib väheneda, kui filter on prügiga ummistunud.

- asetage filter filtrivõre sisse ja paigaldage need tagasi seadme korpusesse.

8. Ärge puhastage seadet bensiini, lahusti ega vedela pesuvahendiga.

9. Hoiustamine: kui seadet pikemat aega ei kasutata ja soovite seda salvestada, pange tähele järgmisi samme.

- Tühjendage veepaaki jäänud vesi.

- Pöörake toitejuhe (8) üles ja asetage sees olevasse veepaaki (7).

- Puhastage võrgu õhufilter (12).

- Säilitamine jahedas ja kuivas kohas.

VEAOTSING

Kui ilmneb mõni allpool loetletud seisund, kontrollige enne klienditeenindusse helistamist järgmisi punkte.

Probleem 1: seade ei tööta.

Võimalik põhjus 1: kas toitejuhe on lahti ühendatud?

Probleemi lahendus: ühendage toitejuhe pistikupessa.

Võimalik põhjus 2: kas täis veepaagi indikaator (H) vilgub?

Probleemi lahendus: paak on täis või vales asendis. Tühjendage veepaak (7) ja asetage paak uuesti.

Võimalik põhjus 3: kas ruumi temperatuur on üle 35 kraadi Celsiuse järgi või alla 5 kraadi Celsiuse järgi?

Probleemi lahendus: Sisseehitatud kaitseseade on aktiveeritud ja õhukuivatit ei saa käivitada, kui ruumi temperatuur on üle 35 kraadi Celsiuse järgi või alla 5 kraadi Celsiuse järgi.

Probleem 2: niiskuse eemaldamise funktsioon ei tööta

Võimalik põhjus 1: kas võrgu õhufilter (12) on ummistunud?

Probleemi 1 lahendus: puhastage õhufiltrit vastavalt juhistele jaotises "Puhastamine ja hooldus" – punkt 7.

Võimalik põhjus 2: kas õhu sisselaskeava (5) või õhu väljalaskeava (2) on ummistunud?

Probleemi lahendus: eemaldage takistus.

Probleem 3: õhku ei väljuta.

Võimalik põhjus 1: kas võrgu õhufilter (12) on ummistunud?

Probleemi lahendus: puhastage õhufiltrit vastavalt juhistele jaotises "Puhastamine ja hooldus" – punkt 7.

Probleem 4: töö on mürarikas

Võimalik põhjus 1: kas seade on viltu või ebastabiilne?

Probleemi lahendus: viige seade stabiilsele, ühtlasele ja tugevale pinnale.

Võimalik põhjus 2: kas võrguõhufilter (12) on ummistunud?

Probleemi lahendus: puhastage õhufiltrit vastavalt juhistele jaotises "Puhastamine ja hooldus" – punkt 7.

Probleem 5: E1 kood kuvatakse digitaalsel indikaatoril (J)

Võimalik põhjus 1: poolianduri lühis või avatud vooluahel

Probleemi lahendus: võtke ühendust müüjaga, kes teile ostuarve väljastas.

TEHNILINE KUUPÄEV:

Niiskuse eemaldamise võimsus 30°C / 80% suhteline õhuniiskus: 10 liitrit / 24 tundi

Müratase: <= 42dB(A)

Veepaagi maht: 2,0 liitrit

Õhuvool: 150m³/h

R290 jahutusvedeliku kaal: 45 grammi

Nimivõimsus: 280 W

Toide: 220-240V ~50Hz



Ettevaatust, tuleoht.

ÄRGE torgake ega põletage.

Pidage meeles, et külmutusagensil ei pruugi olla lõhna.

Seade tuleb paigaldada, kasutada ja hoida ruumis, mille põrandapind on suurem kui 4 m².

Maksimaalne külmutusagensi kogus: 45 g.



Hoolitse keskkonnakaitse eest.

Kartongist pakendid vii makulatuuri. Kilekotid (PE) viska kasutatud plastiku jaoks ettenähtud mahutitesse. Kasutatud seadmed vii selleks ettenähtud kogumispunktidesse, sest seadmes leiduvad ohtlikud elemendid võivad olla kahjulikud keskkonnale. Elektriseadmed tuleb anda nii ära, et seadet ei saaks enam uuesti kasutada. Kui seadmes on patareid, tuleb need välja võtta ja anda eraldi kogumispunkti.

Seadet ei tohi visata olmejäätmete konteineritesse!!

CONDIȚII GENERALE DE SIGURANȚĂ
INSTRUCȚIUNI DE SIGURANȚĂ IMPORTANTE CITIȚI ÎNCETARE ȘI SALVAȚI
PENTRU VIITOR

1. Înainte de a utiliza dispozitivul, citiți manualul de operare și urmați instrucțiunile conținute de acesta. Producătorul nu este responsabil pentru daunele cauzate de utilizarea dispozitivului contrar scopului intenționat sau a funcționării necorespunzătoare a acestuia.
2. Aparatul este numai pentru uz casnic. Nu folosiți în alte scopuri care nu sunt destinate scopului său.
3. Dispozitivul trebuie conectat numai la o priză de curent alternativ cu o masă de pământ 220 240V ~ 50Hz. Pentru a spori siguranța operațională, mai multe dispozitive electrice nu ar trebui conectate la un circuit de curent în același timp.
4. Aveți precauție extremă atunci când utilizați dispozitivul când copiii sunt în apropiere. Nu permiteți copiilor să se joace cu dispozitivul, nu lăsați copiii sau persoanele necunoscute de dispozitiv să-l folosească.
5. AVERTIZARE: Acest echipament poate fi utilizat de copii peste 8 ani și de persoane cu capacitate fizică, senzorială sau mentală limitată sau de persoane care nu au experiență sau cunoștințe despre echipament, dacă acest lucru este realizat sub supravegherea unei persoane responsabile pentru siguranța lor sau le-a fost oferită informații despre utilizarea în siguranță a dispozitivului și sunt conștienți de pericolele folosirii acestuia. Copiii nu ar trebui să se joace cu echipamentul. Curățarea și întreținerea dispozitivului nu trebuie să fie efectuată de către copii, cu excepția cazului în care au peste 8 ani și aceste activități sunt desfășurate sub supraveghere.
6. Deconectați întotdeauna mufa de alimentare ținând priza cu mâna după utilizare. NU trageți cablul de alimentare.
7. Nu scufundați cablul, mufa și întregul dispozitiv în apă sau în orice alt lichid. Nu expuneți dispozitivul la condiții atmosferice (ploaie, soare etc.) și nu folosiți în condiții de umiditate ridicată (băi, case mobile umede).
8. Verificați periodic starea cablului de alimentare. În cazul în care cablul de alimentare este deteriorat, acesta trebuie înlocuit de un atelier de reparații de specialitate pentru a evita pericolul.
9. Nu folosiți aparatul cu un cablu de alimentare deteriorat sau dacă a fost aruncat sau deteriorat în alt mod sau dacă nu funcționează corect. Nu reparați singur dispozitivul, deoarece există riscul de electrocutare. Duceți dispozitivul deteriorat la un centru de service adecvat pentru verificare sau reparare. Toate reparațiile pot fi efectuate numai de către punctele de service autorizate. Reparațiile efectuate incorect pot cauza pericol grav pentru utilizator.
10. Așezați dispozitivul pe o suprafață rece, stabilă, departe de aparatele de bucătărie calde, cum ar fi: aragaz electric, arzător de gaz etc.
11. Asigurați-vă că nimic nu blochează intrarea și ieșirea aerului dispozitivului

12. Folosiți dispozitivul numai pe o suprafață plană pentru a preveni scurgerea condensului
13. Pentru a oferi o protecție suplimentară, este recomandabil să instalați un dispozitiv de curent rezidual (RCD) în circuitul electric cu un curent rezidual nominal care să nu depășească 30mA. Întrebați un electrician pentru asta.
14. Curățați regulat filtrul de aer. Frecvența curățării depinde de curățenia aerului.
15. După ce opriți mașina, așteptați cel puțin 5 minute înainte de a o porni din nou.
16. Pentru o dezumidificare eficientă, trebuie utilizat un spațiu de cel puțin 20 cm între pereții laterali ai dispozitivelor și mobilierul sau perdelele comprimate.
17. Pentru a evita riscul de incendiu sau explozie, nu pulverizați uscătorul
18. Pentru a utiliza piesele carcasei, nu așezați dezumidificatorul lângă dispozitivele de încălzire.
19. Scoateți apa colectată în rezervor. Apa potabilă accidentală sau utilizarea ei cu alte persoane poate provoca boli.
20. Nu acceptă dispozitivele cu capacul posterior îndepărtat din cauza pieselor mobile și fierbinți.
21. Nu folosiți niciun mijloc pentru a desfășura procesul de decongelare sau operare, altele decât cele recomandate de producător.
22. Dispozitivul trebuie să fie disponibil ca parte a unei liste permanente de surse de aprindere, adică fără flacără deschisă, fără un dispozitiv cu gaz de lucru sau fără un dispozitiv de încălzire.
23. Nu străpunge și nu fumează.
24. Vă rugăm să rețineți că producătorii de refrigerare nu pot conține parfum.

Înainte de prima utilizare:

1. Dezumidificatorul trebuie utilizat pe o suprafață plană și stabilă, pentru a menține distanțele între unitate și alte obiecte conform imaginii 1 pentru a asigura o eficiență adecvată. Închideți toate ferestrele și ușile camerei pe care doriți să le dezumidificați aerul.
2. Pentru a preveni înghețarea apei, nu folosiți dezumidificatorul și furtunul de scurgere la temperatura ambientă sub 0 ° C
3. Nu folosiți dezumidificatorul afară. Expunerea la soare directă sau la ploaie poate duce la supraîncălzire, șocuri electrice și incendiu.
4. Nu puneți rezervorul de apă pe dezumidificator pentru a evita orice vărsare de apă în unitate și deteriora izolația.
5. Nu încercați niciodată să folosiți dezumidificatorul pentru utilizări speciale, cum ar fi dezumidificarea alimentelor sau conservarea obiectelor de artă sau altele asemenea.
6. Nu folosiți dezumidificatorul unde poate avea loc scurgeri de ulei sau gaz inflamabil. Nu folosiți aparatul în locuri supuse substanțelor chimice.
7. Pentru o scurgere continuă, asigurați-vă că furtunul de scurgere este reglat corect cu pantă.
8. Aveți grijă ca un aparat de încălzire să nu fie expus vântului de la dezumidificator.
9. Nu folosiți dezumidificatorul ca scaun sau suport pentru picioare.
10. Nu scoateți pârgăhia de plutire din rezervorul de apă.
11. Nu blocați prizele de aer și ieșirile de aer.
12. Nu acoperiți unitatea cu haine spălate.
13. Înainte de operarea continuă pentru o durată lungă, este necesară verificarea periodică, în special pentru filtrul de aer curat, furtunul de evacuare sau altele asemenea.

14. Aparatul va fi instalat, operat și depozitat într-o încăpere cu suprafața podelei mai mare de 4 metri pătrați și într-o încăpere cu o zonă bine ventilată.

15. Nu introduceți niciodată degetele, țigetele, în orificiile de evacuare și admisie a aerului.

Descriere produs: AD7861 Dezumidificator de aer (poza 2)

- | | | |
|--------------------------------|--|--------------------------|
| 1. Mâner pentru transport ușor | 2. Ieșire de aer | 3. Carcasă din spate |
| 4. Panou de comandă | 5. Admisia aerului | 6. Carcasă frontală |
| 7. Rezervor de apă 2.0L | 8. Cablu de alimentare | 9. Picior |
| 10. Furtun de scurgere | 11. Liviere plutitoare | 12. Filtru de aer plasat |
| 13. Grilă de filtrare | 14. Orificiu de scurgere continuă a apei | |

panou de control

- A. Butonul de pornire B. Butonul de scădere a umidității dorit
C. Butonul de creștere a umidității dorite D. Butonul Timer 0-24 ore
E. Indicator temporizator F. indicator de auto-decongelare
G. Indicator de activitate a compresorului H. Indicator rezervor de apă plin
J. Indicator digital „88”.

Indicatorul digital „88” (J) va arăta:

- nivelul de umiditate dorit selectat în intervalul: 30-90 la sută din umiditatea relativă (RH)
- ore în interval: 1-24, când programați pornire întârziată sau oprire întârziată
- „LO” – înseamnă scăzut, atunci când umiditatea mediului este mai mică de 35%
- „HI” - înseamnă ridicat, atunci când umiditatea mediului este mai mare de 95%,

UTILIZARE

1. Conectați dispozitivul.
2. Apăsăți butonul de pornire (A) pentru a începe funcționarea, indicatorul digital „88” (J) se va aprinde. Apăsăți din nou butonul de alimentare (A) pentru a opri funcționarea.
3. Apăsăți partea de jos (C) sau (D) pentru a seta nivelul de umiditate dorit în cameră, care poate fi setat de la 30% la 90% la intervale de 5% sau „CO”.

După o perioadă de lucru:

- când umiditatea ambientală este mai mică decât umiditatea selectată cu 2%, compresorul se va opri,
- când umiditatea mediului ambiant este egală sau mai mare decât umiditatea selectată cu 3%, compresorul va reporni odată cu trecerea timpului de protecție a compresorului de 3 minute.

4. FUNCȚIA TIMER

Apăsăți butonul temporizatorului (D) este programul la care ora:

- când dispozitivul este pornit pentru a configura funcția de oprire întârziată:

Apăsând în mod repetat butonul temporizatorului (D) se reglează timpul dorit, acesta va circula de la 0-1-2.....23-24. Indicatorul de timp (E) va fi aprins. Dispozitivul va opri funcționarea la trecerea timpului dorit.

- când dispozitivul este oprit pentru a configura funcția de pornire întârziată:

Apăsând în mod repetat butonul temporizatorului (D) se reglează timpul dorit, acesta va circula de la 0-1-2.....23-24. Indicatorul de timp (E)

) va fi aprins. Dispozitivul va începe să funcționeze la trecerea timpului dorit.

Pentru a anula programarea temporizatorului, apăsați butonul temporizatorului (D) la zero.

Timpul programat rămâne neschimbat dacă mașina se oprește să funcționeze din cauza rezervorului de apă plin sau în timpul autodecongelării.

5. DRENAREA REZERVORULUI DE APĂ

Când rezervorul de apă (7) este plin, indicatorul (H) se aprinde, funcționarea se va opri automat și soneria va emite un bip de 15 ori pentru a avertiza utilizatorul că apa trebuie să fie golită din rezervorul de apă (7). Priviți imaginile 4 și 5. Procedura de scurgere a apei este:

- Apăsați ușor pe părțile laterale ale rezervorului (7) cu ambele mâini și trageți ușor rezervorul afară.

- Turnați apa colectată. Dacă rezervorul de apă (7) este murdar, spălați-l cu apă rece sau caldută.

OBSERVAȚIE: Nu scoateți ligheta plutitoare (11) din rezervorul de apă (7). Senzorul de apă plin încorporat nu va mai putea detecta corect nivelul apei fără lighea cu plutire (11), iar dispozitivul va opri funcționarea.

- Când puneți înapoi rezervorul de apă (7), apăsați ferm rezervorul în poziție cu ambele mâini. Dacă rezervorul nu este poziționat corect, senzorul de apă plin încorporat nu va fi activat, astfel încât dezumidificatorul nu va funcționa.

6. FUNCȚIA DE DRENARE CONTINUĂ A APEI

Când setați nivelul de umiditate la „CO” pe afișajul digital (J), compresorul va funcționa continuu. Utilizatorul poate:

6.a. conectați furtunul de scurgere (10)

Dacă utilizatorul conectează furtunul de scurgere (10), apa se va scurge în mod continuu la chiuvetă/cada de baie sau alt recipient exterior pe care îl veți instala. Dispozitivul dispune de un orificiu de scurgere continuă a apei (14) - uitați-vă la imaginea 3. Este necesar să scoateți rezervorul de apă (7) pentru a asambla furtunul de scurgere (10) la orificiul de evacuare continuă a apei (14). Furtunul de scurgere (10) (cu un diametru interior de 10 mm) trebuie pus pe orificiul de scurgere al orificiului (14) prezentat în imaginea 3. Apa poate fi evacuată continuu din orificiul (14).

6.b. nu conectați furtunul de evacuare (10).

Dacă utilizatorul nu conectează furtunul de scurgere (10), apa se va scurge în rezervorul de apă (7). Când rezervorul de apă (7) este plin, dispozitivul se va opri automat.

7. FUNCȚIE DE DEZGHEZARE AUTOMATĂ

Când se acumulează îngheț pe serpentina încorporată a evaporatorului, compresorul se va opri și dispozitivul va trece automat în modul de auto-decongelare. După finalizarea modului de dezghețare, dispozitivul va reveni la setările de funcționare anterioare. Când dispozitivul funcționează într-o cameră cu o temperatură între 5 grade Celsius și 12 grade Celsius, va intra în modul de auto-decongelare aproximativ la fiecare 30 de minute. Când dispozitivul rulează într-o cameră cu o temperatură între 12 grade Celsius și 20 grade Celsius, va intra în modul de auto-decongelare aproximativ la fiecare 45 de minute.

Curatenie si mentenanta

1. Oprii unitatea și deconectați ștecherul de alimentare înainte de a începe orice curățare sau altă întreținere de rutină.
2. Pentru a evita riscul de electrocutare, nu stropiți sau vărsați niciodată apă pe dezumidificator atunci când curățați.
3. Oprii dispozitivul și goliți apa din rezervorul de apă înainte de a muta dispozitivul. Asigurați-vă că țineți de mâner în timp ce vă deplasați.
4. Ștergeți carcasa dispozitivului cu o cârpă umedă.
5. Nu demontați plutitorul (11) din rezervorul de apă (7). Pentru a curăța rezervorul de apă (7) nu utilizați detergent, disprețuri, cârpe de praf tratate chimic, benzină, benzen, diluant sau alți solvenți, deoarece aceștia pot zgâria și deteriora rezervorul și pot cauza scurgeri de apă.
6. Înainte de funcționarea continuă planificată pe o durată lungă, este necesară verificarea periodică, în special pentru filtrul de aer plasat

(12) și furtunul de evacuare (10).

7. Pentru a curăța sau înlocui filtrele ar trebui să fie:

- deconectați ștecherul și scoateți rezervorul de apă (7),
- scoateți grila (13) așa cum se arată în imaginea 6,
- scoateți ușor filtrul de aer plasat (12) de pe grila filtrului (13),
- curățați filtrul la fiecare doua săptămâni cu un aspirator. Puneți ușor un aspirator pe suprafața filtrului de aer (12) pentru a îndepărta murdăria. Dacă filtrul de aer (12) este extrem de murdar, spălați-l cu apă caldă și un detergent ușor și uscați-l bine. Performanța de dezumidificare poate scădea atunci când filtrul este înfundat cu resturi.
- puneți filtrul în grila filtrului și asamblați-le înapoi în carcasa dispozitivului.

8. Nu curățați dispozitivul cu benzină, diluant sau detergent lichid.

9. Stocare: atunci când dispozitivul nu este utilizat pentru o perioadă lungă de timp și doriți să îl stocați, rețineți următorii pași:

- Goliți orice apă rămasă în rezervorul de apă.
- Rabatați cablul de alimentare (8) și puneți-l în interiorul rezervorului de apă (7).
- Curățați filtrul de aer plasat (12).
- Depozitare la loc răcoros și uscat.

DEPANARE

Dacă apare o condiție enumerată mai jos, vă rugăm să verificați următoarele elemente înainte de a apela serviciul pentru clienți.

Problema 1: Dispozitivul nu funcționează.

Motivul posibil 1: A fost deconectat cablul de alimentare?

Soluția problemei: Conectați cablul de alimentare la priză.

Motivul posibil 2: Indicatorul rezervorului de apă plin (H) clipește?

Soluția problemei: Rezervorul este plin sau într-o poziție greșită. Goliți rezervorul de apă (7) și apoi re poziționați rezervorul.

Motivul posibil 3: temperatura camerei este peste 35 de grade Celsius sau sub 5 grade Celsius?

Soluția problemei: Dispozitivul de protecție încorporat este activat și dezumidificatorul nu poate fi pornit la temperatura camerei peste 35 grade Celsius sau sub 5 grade Celsius.

Problema 2: Funcția de dezumidificare nu funcționează

Motivul posibil 1: Filtrul de aer plasat (12) este înfundat?

Problema de soluție 1: Curățați filtrul de aer conform instrucțiunilor din „Curățare și întreținere” – punctul 7.

Motivul posibil 2: Este obturată intrarea aerului (5) sau evacuarea aerului (2)?

Soluția problemei: Îndepărtați obstrucția.

Problema 3: Nu se evacuează aer.

Motivul posibil 1: Filtrul de aer plasat (12) este înfundat?

Soluția problemei: Curățați filtrul de aer conform instrucțiunilor din „Curățare și întreținere” - punctul 7.

Problema 4: Funcționarea este zgomotoasă

Motivul posibil 1: dispozitivul este înclinat sau poziționat instabil?

Soluția problemei: Mutați dispozitivul pe o suprafață stabilă, uniformă și solidă.

Motivul posibil 2: Filtrul de aer plasat (12) este înfundat?

Soluția problemei: Curățați filtrul de aer conform instrucțiunilor din „Curățare și întreținere” - punctul 7.

Problema 5: Codul E1 afișat pe indicatorul digital (J)

Motivul posibil 1: scurtcircuit sau circuit deschis la senzorul bobinei

Soluția problemei: contactați vânzătorul care v-a emis factura de achiziție.

DATA TEHNIČA:

Capacitate de dezumidificare la 30°C / 80% RH: 10 litri / 24 ore

Nivel de zgomot: <= 42dB(A)

Capacitate rezervor apă: 2,0 litri

Debit de aer: 150 m3/oră

Greutate lichid de răcire R290: 45 grame

Putere nominală de intrare: 280 W

Alimentare: 220-240V ~50Hz



Atenție, risc de incendiu.

NU perforați sau ardeți.

Rețineți că agentul frigorific poate să nu conțină miros.

Dispozitivul trebuie instalat, operat și depozitat într-o încăpere cu o suprafață mai mare de 4 m.².

Cantitatea maximă de încărcare a agentului frigorific: 45 g.



Din grija pentru mediul înconjurător. Ambalajele din carton vă rugăm să le transmiteți șa centrele de maculatură. Sacii din polietilenă (PE) trebuie aruncați în recipientele pentru materialele plastice. Dispozitivul uzat trebuie transmis la punctul corespunzător de depozitare, deoarece componentele periculoase care se găsesc în dispozitiv pot fi foarte periculoase pentru mediul înconjurător. Dispozitivul electric trebuie transmis în așa fel încât să se limiteze utilizarea lui repetată. Dacă în dispozitiv se găsesc baterii acestea trebuie scoase și transmise către punctul de depozitare a acestora, separat.

BOSANSKI

OPĆI UVJETI SIGURNOSTI

VAŽNE SIGURNOSNE UPUTE PROČITAJTE UPOZORENJE I UŠTEDITE BUDUĆNOST

1. Prije upotrebe uređaja, pročitajte korisnički priručnik i slijedite upute sadržane u njemu. Proizvođač ne odgovara za štetu nastalu upotrebom uređaja suprotno njegovoj predviđenoj namjeni ili nepravilnom radu.
2. Uređaj je namenjen samo za kućnu upotrebu. Ne koristite za druge svrhe koje nisu prema njegovoj predviđenoj namjeni.
3. Uređaj treba priključiti na izmjeničnu utičnicu samo uzemljenim 220 240V ~ 50Hz. Da bi se povećala operativna sigurnost, više električnih uređaja ne smije istovremeno biti povezano na jedan strujni krug.
4. Budite izuzetno oprezni kada koristite uređaj kada su djeca u blizini. Ne dozvolite djeci da se igraju s uređajem, ne dozvolite djeci ili osobama koje nisu upoznate s uređajem da ga koriste.
5. UPOZORENJE: Ovu opremu mogu koristiti djeca starija od 8 godina i osobe ograničene fizičke, senzorne ili mentalne sposobnosti, ili ljudi koji nemaju iskustva ili znanje o opremi, ako se to radi pod nadzorom odgovorne osobe radi njihove sigurnosti ili su im odobreni podaci o sigurnoj upotrebi uređaja i svjesni su opasnosti korištenja. Deca se ne smeju igrati sa opremom. Čišćenje i održavanje uređaja ne smiju obavljati djeca, osim ako su starija od 8 godina i ove aktivnosti se izvode pod nadzorom.
6. Uvek isključite utikač držeći utičnicu rukom nakon upotrebe. NE povlačite kabl za napajanje.

7. Nemojte uranjati kabl, utikač i cijeli uređaj u vodu ili bilo koju drugu tečnost. Ne izlažite uređaj atmosferskim uvjetima (kiša, sunce itd...) I ne koristite u uvjetima visoke vlažnosti (kupaonice, vlažne mobilne kućice).
8. Povremeno provjeravajte stanje kabela za napajanje. Ako je kabl za napajanje oštećen, zamijenite ga specijalnom servisnom radionicom kako biste izbjegli opasnost.
9. Ne koristite uređaj s oštećenim kablom za napajanje ili ako je ispao ili oštećen na bilo koji drugi način ili ako ne radi ispravno. Ne popravljajte uređaj sami jer postoji opasnost od električnog udara. Oštećeni uređaj odnesite u odgovarajući servisni centar radi provjere ili popravljanja. Sve popravke smiju obavljati samo ovlašteni servisi. Nepravilno izvedeni popravci mogu predstavljati ozbiljnu opasnost za korisnika.
10. Uređaj postavite na hladnu i stabilnu površinu, dalje od vrućih kuhinjskih uređaja kao što su: električni štednjak, plinski plamenik itd...
11. Pazite da ništa ne blokira dovod i izlaz zraka na uređaju
12. Koristite uređaj samo na ravnoj površini kako biste spriječili da se kondenzacija prolije
13. Da biste osigurali dodatnu zaštitu, preporučljivo je u električni krug instalirati zaostalu struju (RCD), nazivna zaostala struja koja ne prelazi 30mA. Pitajte za to električara.
14. Redovno čistite filter za vazduh. Učestalost čišćenja ovisi o čistoći zraka.
15. Nakon isključenja uređaja pričekajte najmanje 5 minuta prije nego što ga ponovo uključite.
16. Za učinkovito odvlaživanje treba koristiti razmak od najmanje 20 cm između bočnih zidova uređaja i komprimiranog namještaja ili zavjesa.
17. Da biste izbjegli opasnost od požara ili eksplozije, ne prskajte sušilicu
18. Da biste koristili dijelove kućišta, ne postavljajte ovlaživač u blizinu grijaćih uređaja.
19. Uklonite vodu sakupljenu u rezervoaru. Slučajna konzumacija vode ili upotreba s drugim ljudima može uzrokovati bolest.
20. Ne podržava uređaje sa stražnjim poklopcem uklonjenim zbog pokretnih i vrućih dijelova.
21. Nemojte koristiti sredstva za otapanje ili rukovanje drugim proizvodima osim onih koje je preporučio proizvođač.
22. Uređaj bi trebao biti dostupan u sklopu trajne liste izvora paljenja, tj. Bez otvorenog plamena, bez radnog plinskog uređaja ili bez grijača radnog uređaja.
23. Ne probijajte i ne pušite.
24. Imajte na umu da proizvođači proizvoda za hlađenje možda ne sadrže mirise.

Prije prve upotrebe:

1. Odvlaživač mora se koristiti na ravnoj i stabilnoj površini, držati udaljenosti između jedinice i drugih predmeta u skladu sa slikom 1 kako bi se osigurala odgovarajuća učinkovitost. Zatvorite sve prozore i vrata prostorije u kojoj želite odmrzavati zrak.
2. Da biste spriječili zamrzavanje vode, ne koristite odvlaživač i odvodno crijevo na sobnoj temperaturi ispod 0 ° C
3. Ne koristite odvlaživač vani. Izloženost direktnoj sunčevoj svjetlosti ili kiši može rezultirati pregrijavanjem, strujnim udarom i požarom.
4. Ne stavljajte rezervoar za vodu na odvlaživač kako biste izbjegli prolijevanje vode u uređaj unutar i narušilo izolaciju.
5. Nikada ne pokušavajte koristiti odvlaživač za posebne namjene, poput odmrzavanja hrane ili očuvanja umjetničkih predmeta ili slično.
6. Ne koristite sredstvo za odvlaživanje zraka tamo gdje može doći do curenja ulja ili zapaljivog plina. Ne koristite jedinicu na mjestima koja su izložena kemikalijama.
7. Za neprekidno pražnjenje, osigurajte da je odvodno crijevo pravilno postavljeno uz nagib.
8. Pazite da uređaj za grijanje ne bude izložen vjetru iz uređaja za odvlaživanje zraka.
9. Ne koristite odvlaživač zraka kao stolicu ili podlogu za stopala.

10. Ne uklanjajte ručicu plovka iz spremnika vode.
11. Ne blokirajte otvore za vazduh i otvore za vazduh.
12. Ne prekrivajte jedinicu opranom odjećom.
13. Prije kontinuiranog rada dugog vremena, potrebna je periodična provjera posebno za filtar za čišćenje zraka, crijevo za odvod ili slično.
14. Uređaj se postavlja, koristi i skladišti u prostoriji površine veće od 4 kvadratna metra i u prostoriji sa dobro provetrenim prostorom.
15. Nikada ne stavljajte svoje prste, šipke u otvor za izlaz i dovod zraka.

Opis proizvoda: AD7861 Odvlaživač zraka (slika 2)

- | | | |
|---------------------------|--------------------------------------|-----------------------------|
| 1. Ručka za lakše nošenje | 2. Izlaz zraka | 3. Kućište sa zadnje strane |
| 4. Upravljačka ploča | 5. Ulaz zraka | 6. Prednje kućište |
| 7. Rezervoar za vodu 2.0L | 8. Kabl za napajanje | 9. Noga |
| 10. Odvodno crijevo | 11. Laver s plovkom | 12. Mrežni filter zraka |
| 13. Filterska rešetka | 14. Kontinuirani otvor za odvod vode | |

kontrolna tabla

- | | |
|---|---|
| A. Dugme za napajanje | B. Dugme za željeno smanjenje vlažnosti |
| C. Dugme za povećanje željene vlažnosti | D. Dugme za tajmer 0-24 sata |
| E. Indikator tajmera | F. Indikator samoodmrzavanja |
| G. Indikator aktivnosti kompresora | H. Indikator punog rezervoara za vodu |
| J. Digitalni indikator "88". | |

Digitalni indikator "88" (J) će pokazati:

- odabrani željeni nivo vlažnosti u rasponu: 30-90 posto relativne vlažnosti (RH)
- sati u rasponu: 1-24, kada programirate odgođeni početak ili odgođeno zaustavljanje
- "LO" – znači nizak, kada je vlažnost okoline niža od 35%
- "HI" - znači visoka, kada je vlažnost okoline veća od 95%,

UPOTREBA

1. Uključite uređaj.
2. Pritisnite dugme za napajanje (A) za početak rada, digitalni indikator "88" (J) će se upaliti. Pritisnite dugme za napajanje (A) ponovo da zaustavite rad.
3. Pritisnite donji dio (C) ili (D) da postavite željeni nivo vlažnosti u prostoriji, koji se može podesiti od 30% do 90% u intervalima od 5% ili "CO".

Nakon perioda rada:

- kada je vlažnost okoline niža od odabrane vlažnosti za 2%, kompresor će se zaustaviti,
- kada je vlažnost okoline jednaka ili viša od odabrane vlažnosti za 3%, kompresor će se ponovo pokrenuti nakon 3-minutne zaštite kompresora.

4. FUNKCIJA TAJMERA

Pritiskom na tipku tajmera (D) programira se vrijeme:

- kada je uređaj uključen za postavljanje funkcije odloženog zaustavljanja: Uzastopnim pritiskom na tipku tajmera (D) podesite željeno vrijeme, kružice od 0-1-2.....23-24. Indikator vremena (E) će se upaliti. Uređaj će prestati s radom kada prođe željeno vrijeme.
 - kada je uređaj isključen za postavljanje funkcije odgođenog starta: Uzastopnim pritiskom na tipku tajmera (D) podesite željeno vrijeme, kružice od 0-1-2.....23-24. Indikator vremena (E) će se upaliti. Uređaj će početi s radom kada prođe željeno vrijeme.
- Da poništite programiranje tajmera, pritisnite dugme tajmera (D) na nulu.
 Programirano vrijeme ostaje nepromijenjeno ako mašina prestane da radi zbog punog rezervoara vode ili tokom samoodmrzavanja.

5. DRENAŽA IZ SPREMNIKA VODE

Kada je rezervoar za vodu (7) pun, svetli indikator (H), rad će se automatski zaustaviti i zujalica će se oglasiti 15 puta kako bi upozorila korisnika da je potrebno isprazniti vodu iz rezervoara za vodu (7). Pogledajte slike 4 i 5. Postupak odvodnje vode je:

- Lagano pritisnite bočne strane rezervoara (7) sa obe ruke i lagano izvucite rezervoar.
- Izlijte prikupljenu vodu. Ako je rezervoar za vodu (7) prljav, operite ga hladnom ili mlakom vodom.

NAPOMENA: Nemojte skidati plovak (11) iz rezervoara za vodu (7). Ugrađeni senzor pune vode više neće moći ispravno detektirati novo vode bez plovnog umivaonika (11) i uređaj će prestati s radom.

- Kada vraćate rezervoar za vodu (7), čvrsto pritisnite rezervoar na mesto sa obe ruke. Ako rezervoar nije pravilno postavljen, ugrađeni senzor pune vode neće se aktivirati, tako da odvlaživač neće raditi.

6. FUNKCIJA KONTINUALNE ODVODNJE VODE

Kada postavite nivo vlažnosti na "CO" na digitalnom displeju (J), kompresor će raditi neprekidno. Korisnik može:

- 6.a. spojite odvodno crijevo (10)

Ako korisnik spoji odvodno crijevo (10), voda će kontinuirano istjecati u sudoper/kadu ili drugu vanjsku posudu koju ćete postaviti. Uređaj ima priključak za kontinualnu drenažu vode (14) - pogledajte sliku 3. Potrebno je izvaditi rezervoar za vodu (7) da biste spojili odvodno crevo (10) na priključak za kontinuirano odvod vode (14). Odvodno crevo (10) (s unutrašnjim prečnikom od 10 mm) treba staviti na otvor za odvod (14) prikazan na slici 3. Voda se može kontinuirano ispuštati iz otvora (14).

6.b. ne spajajte odvodno crijevo (10).

Ako korisnik ne spoji odvodno crijevo (10), voda će istjecati u spremnik za vodu (7). Kada se rezervoar za vodu (7) napuni, uređaj će automatski prestati sa radom.

7. FUNKCIJA AUTOMATSKOG ODMRZAVANJA

Kada se mraz nakupi na ugrađenoj zavojnici isparivača, kompresor će se isključiti i uređaj će automatski preći u način samoodleđivanja. Nakon završetka režima odmrzavanja, uređaj će se vratiti na prethodne radne postavke. Kada uređaj radi u prostoriji sa temperaturom između 5 stepeni Celzijusa i 12 stepeni Celzijusa, ulaziće u režim samoodmrzavanja otprilike svakih 30 minuta. Kada uređaj radi u prostoriji sa temperaturom između 12 stepeni Celzijusa i 20 stepeni Celzijusa, ulaziće u režim samoodmrzavanja otprilike svakih 45 minuta.

Čišćenje i održavanje

1. Isključite jedinicu i izvucite utikač iz utičnice prije početka bilo kakvog čišćenja ili drugog rutinskog održavanja.
2. Da biste izbjegli rizik od strujnog udara, nikada nemojte prskati ili proljevati vodu po odvlaživaču zraka prilikom čišćenja.
3. Isključite uređaj i ispraznite vodu iz rezervoara za vodu pre pomeranja uređaja. Obavezno držite za ručku dok se krećete.
4. Obrišite kućište uređaja mokrom krpom.
5. Nemojte rastavljati plovak (11) iz rezervoara za vodu (7). Za čišćenje rezervoara za vodu (7) nemojte koristiti deterđent, jastučiće za ribanje, hemijski tretirane krpe za prašinu, benzin, razređivač ili druge rastvarače, jer oni mogu izgrebati i oštetiti rezervoar i uzrokovati curenje vode.
6. Prije planiranog kontinuiranog rada tokom dužeg trajanja, potrebna je periodična provjera posebno za mrežni filter zraka (12) i crijevo za odvod (10).
7. Za čišćenje ili zamjenu filtera treba:
 - izvucite utikač i izvadite rezervoar za vodu (7),
 - uklonite rešetku (13) kao što je prikazano na slici 6,
 - nježno uklonite mrežasti filter za zrak (12) iz rešetke filtera (13),
 - očistite filter svake dvije sedmice usisivačem. Lagano prođite usisivačem preko površine filtera za vazduh (12) da biste uklonili prljavštinu. Ako je filter zraka (12) izuzetno prljav, operite ga toplom vodom i blagim sredstvom za čišćenje i dobro osušite. Performanse odvlaživanja mogu se smanjiti kada je filter začepljen ostacima.
 - stavite filter u rešetku filtera i vratite ga u kućište uređaja.
8. Ne čistite uređaj benzinom, razređivačem ili tečnim deterđentom.
9. Pohrana: kada se uređaj ne koristi duži vremenski period i želite da ga pohranite, obratite pažnju na sljedeće korake:
 - Ispraznite vodu koja je ostala u rezervoaru za vodu.
 - Savijte kabl za napajanje (8) i stavite ga unutar rezervoara za vodu (7).
 - Očistite mrežasti filter zraka (12).
 - Čuvanje na hladnom i suvom mestu.

RJEŠAVANJE PROBLEMA

Ako se dogodi dolje navedeno stanje, provjerite sljedeće stavke prije nego pozovete korisničku podršku.

Problem 1: Uređaj ne radi.

Mogući razlog 1: Da li je kabl za napajanje isključen?

Rješenje problema: Utaknite kabl za napajanje u utičnicu.

Mogući razlog 2: Treperi li indikator punog rezervoara za vodu (H)?

Rješenje problema: Spremnik je pun ili u pogrešnom položaju. Ispraznite rezervoar za vodu (7), a zatim ponovo postavite rezervoar.

Mogući razlog 3: Da li je temperatura prostorije iznad 35 stepeni Celzijusa ili ispod 5 stepeni Celzijusa?

Rešenje problema: Ugrađeni zaštitni uređaj se aktivira i odvlaživač ne može da se pokrene na temperaturi prostorije iznad 35 stepeni Celzijusa ili ispod 5 stepeni Celzijusa.

Problem 2: Funkcija odvlaživanja ne radi

Mogući razlog 1: Da li je mrežasti filter za vazduh (12) začepljen?

Problem sa rješenjem 1: Očistite filter zraka prema uputama pod "Čišćenje i održavanje" – tačka 7.

Mogući razlog 2: Je li ulaz zraka (5) ili izlaz zraka (2) začepljen?

Rješenje problema: Uklonite prepreku.

Problem 3: Nema ispuštanja vazduha.

Mogući razlog 1: Da li je mrežasti filter za vazduh (12) začepljen?

Rješenje problema: Očistite filter za zrak prema uputama pod "Čišćenje i održavanje" - tačka 7.

Problem 4: Rad je bučan

Mogući razlog 1: Da li je uređaj nagnut ili nestabilan?

Rješenje problema: Premjestite uređaj na stabilnu, ravnu, čvrstu površinu.

Mogući razlog 2: Da li je mrežasti filter za vazduh (12) začepljen?

Rješenje problema: Očistite filter za zrak prema uputama pod "Čišćenje i održavanje" - tačka 7.

Problem 5: E1 kod prikazan na digitalnom indikatoru (J)
Mogući razlog 1: kratki spoj senzora zavojnice ili prekid strujnog kruga
Rješenje problema: Obratite se prodavcu koji vam je izdao račun za kupovinu.

TEHNIČKI DATUM:

Kapacitet odvlaživanja na 30°C / 80% RH): 10 litara / 24 sata

Nivo buke: <= 42dB(A)

Kapacitet rezervoara za vodu: 2,0 litara

Protok vazduha: 150m3/sat

Težina rashladnog sredstva R290: 45 grama

Nazivna ulazna snaga: 280W

Napajanje: 220-240V ~50Hz



Oprez, opasnost od požara.

NEMOJTE bušiti ili spaljivati.

Imajte na umu da rashladno sredstvo možda ne sadrži miris.

Uređaj se postavlja, koristi i skladišti u prostoriji sa površinom većom od 4 m.².

Maksimalna količina punjenja rashladnog sredstva: 45g.



Brinuci za okoliš. Molimo Vas da kartonska pakovanja odnesete u otkup otpadnog papira. Polietilenske džakove (PE) bacajte u kontejner za plastiku. Iskorišćen uređaj treba odneti na odgovarajuću deponiju, jer opasni sastojci koji se u njemu nalaze, mogu biti opasni za okoliš. Električni uređaj treba odneti na način, koji ograničava njegovu ponovnu upotrebu i korištenje. Ako se u uređaju nalaze baterije, treba ih izvaditi i odvojeno predati na deponiju. Uređaj se ne smije bacati u kontejner za komunalni otpad!!

MAGYAR

ÁLTALÁNOS BIZTONSÁGI FELTÉTELEK FONTOS BIZTONSÁGI UTASÍTÁSOK FIGYELMESEN OLVASSA EL ÉS TÖRVÉNYE JÖVŐBEN

1. A készülék használata előtt olvassa el a használati útmutatót, és kövesse az abban található utasításokat. A gyártó nem felel a kárért, amelyet az eszköz rendeltetésszerű használatának vagy nem megfelelő működésének okozott.
2. A készülék csak otthoni használatra készült. Ne használja más célra, amely nem a rendeltetésszerű.
3. A készüléket csak földelt 220 240 V ~ 50Hz feszültségű hálózati aljzathoz szabad csatlakoztatni. Az üzembiztonság növelése érdekében több elektromos készüléket nem szabad egyszerre csatlakoztatni egy áramkörhöz.
4. Nagyon óvatosan járjon el az eszköz használatakor, ha a közelben vannak gyermekek. Ne engedje, hogy gyermekek játsszanak az eszközzel, ne engedjék, hogy gyermekek vagy a készüléket ismeretlen emberek használják.
5. FIGYELMEZTETÉS: Ezt a készüléket 8 évesnél idősebb gyermekek és korlátozott fizikai, érzékszervi vagy mentális képességekkel rendelkező személyek, vagy azok a személyek használhatják, akiknek nincs tapasztalata vagy ismerete a berendezésről, ha ezt egy felelős személy felügyelete alatt végzik. biztonságuk érdekében, vagy információkat kaptak nekik az eszköz biztonságos használatáról, és tisztában vannak annak használatának veszélyeivel. A gyermekek nem játszhatnak a felszereléssel. Az eszköz tisztítását és karbantartását csak gyermekek végezhetik, kivéve ha 8 évesnél idősebbek, és ezeket a tevékenységeket felügyelet mellett végzik el.
6. Használat után mindig húzza ki a hálózati csatlakozót az aljzat kezével. NE húzza be a tápkábelt.
7. Ne merítse a kábelt, a dugót és az egész készüléket vízbe vagy más folyadékba. Ne

tegye ki a készüléket légköri körülményeknek (eső, nap, stb.), illetve ne használja magas páratartalom esetén (fürdőszoba, nedves mobilházak).

8. Rendszeresen ellenőrizze a tápkábel állapotát. Ha a tápkábel sérült, akkor a veszély elkerülése érdekében szakszervizben kell cserélni.

9. Ne használja a készüléket sérült tápkábellel, ha leesett vagy egyéb módon megsérült, vagy nem működik megfelelően. Ne javítsa saját kezűleg a készüléket, mert fennáll az áramütés veszélye. Vigye a sérült készüléket megfelelő szervizközpontba ellenőrzés vagy javítás céljából. Minden javítást csak hivatalos szerviz végezhet. A helytelenül elvégzett javítások súlyos veszélyt jelenthetnek a felhasználó számára.

10. Helyezze a készüléket hűvös, stabil felületre, távol a forró konyhai készülékektől, például: elektromos tűzhely, gázégő stb.

11. Ellenőrizze, hogy semmi nem akadályozza-e a készülék levegő be- és kimenetet

12. A készüléket csak sík felületen használja, hogy megakadályozza a kondenzvíz kiömlését

13. A kiegészítő védelem érdekében tanácsos az áramkörbe beépíteni olyan maradékáram-eszközt (RCD), amelynek névleges maradékáram nem haladja meg a 30 mA-t. Kérdezzen egy villanszerelőtől.

14. Rendszeresen tisztítsa meg a légszűrőt. A tisztítás gyakorisága a levegő tisztaságától függ.

15. A gép kikapcsolása után várjon legalább 5 percet, mielőtt újra bekapcsolja.

16. A hatékony szárítás érdekében legalább 20 cm rést kell használni az eszközök oldalfalai és a sűrített bútorok vagy függönyök között.

17. A tűz vagy robbanás kockázatának elkerülése érdekében ne permetezze be a szárítógépet

18. A ház alkatrészeinek használatához ne tegye a szárítót fűtőberendezések közelébe.

19. Távolítsa el a tartályból összegyűjtött vizet. Véletlen ivás vagy más emberekkel történő betegség betegséget okozhat.

20. Nem támogatja azokat az eszközöket, amelyeknek a hátlapja mozgó és forró alkatrészek miatt le lett távolítva.

21. A felolvasztás vagy a működési folyamat elvégzéséhez csak a gyártó által ajánlott eszközöket használjon.

22. Az eszköznek a gyújtóforrások állandó listájának részeként rendelkezésre kell állnia, vagyis nyílt láng nélkül, működő gázkészülék vagy működő eszköz fűtőberendezése nélkül.

23. Ne szúrja át és ne dohányozzon.

24. Felhívjuk figyelmét, hogy a hűtőgyártók nem tartalmazhatnak illatanyagokat.

Az első használat előtt:

1. A párátlanítót sík és stabil felületen kell használni, a megfelelő hatékonyság biztosítása érdekében tartson távolságot az egység és más tárgyak között az 1. ábra szerint. Csatolja be az összes ablakot és ajtót a helyiségből, ahol száradni kívánja a levegőt.

2. A víz fagyásának elkerülése érdekében ne használja a szárítót és a lefolyótömlőt 0 ° C alatti környezeti hőmérsékleten.

3. Ne használja a szárítót kívül. A közvetlen napfénynek vagy esőnek való kitettség túlmelegedést, áramütést és tüzet okozhat.

4. Ne tegye a vizes tartályt a páramentesítőbe, hogy ne kerüljön víz a készülék belsejébe, és ne károsodjon a szigetelése.

5. Soha ne kísérelje meg a szárítót speciális célokra, például ételek szárításához vagy műtárgyak tartósításához vagy hasonlóhoz.

6. Ne használja a szárítót, ahol olaj vagy gyúlékony gáz szivároghat. Ne használja a készüléket vegyi anyagoknak kitett helyeken.

7. A folyamatos leeresztéshez ellenőrizze, hogy a leeresztőcső megfelelően van-e beállítva lejtőn.

8. Vigyázzon, hogy a fűtőkészülék ne legyen kitéve a párátlanító szélének.

9. Ne használja a páratlanítót székként vagy lábszárként.
10. Ne vegye le az úszókart a víztartályból.
11. Ne takarja el a levegő bemeneti nyílásait és a levegő kimeneteit.
12. Ne takarja le a mosott ruhát.
13. A hosszú ideig tartó folyamatos üzemeltetés előtt rendszeresen ellenőrizni kell a levegőtisztító szűrőt, a leeresztő tömlőt vagy hasonlót.
14. A készüléket 4 négyzetméternél nagyobb alapterületű helyiségben, valamint jól szellőző helyiségben kell felszerelni, üzemeltetni és tárolni.
15. Soha ne dugja ujjait, ruadait a levegő ki- és bemenetébe.

Termékleírás: AD7861 légszárító (2. kép)

- | | | |
|--|---------------------------------|----------------------|
| 1. Fogantyú a könnyű szállítás érdekében | 2. Levegőkimenet | 3. Hátsó ház |
| 4. Kezelőpanel | 5. Levegőbemenet | 6. Elülső ház |
| 7. Víztartály 2,0 literes | 8. Tápkábel | 9. Láb |
| 10. Leeresztő tömlő | 11. Úszó lavór | 12. Háló levegőszűrő |
| 13. Szűrőrács | 14. Folyamatos vízvezető nyílás | |

Vezérlőpult

- | | |
|--------------------------------------|--|
| A. Bekapcsológomb | B. A kívánt páratartalom-csökkentés gomb |
| C. A kívánt páratartalom-növelő gomb | D. Időzítő 0-24 óra gomb |
| E. Időzítő jelző | F. önléolvasztás jelző |
| G. Kompresszor aktivitásjelző | H. Tele víztartály jelző |
| J. Digitális „88” jelző | |

A digitális „88” jelző (J) a következőket mutatja:

- kiválasztott kívánt páratartalom: a relatív páratartalom (RH) 30-90 százaléka
- óra a tartományban: 1-24, ha programozott késleltetett indítást vagy késleltetett leállítást
- „LO” – alacsony értéket jelent, ha a környezet páratartalma 35%-nál alacsonyabb
- „HI” - magas, ha a környezet páratartalma meghaladja a 95%-ot.

HASZNÁLAT

1. Csatlakoztassa a készüléket.
2. Nyomja meg a bekapcsológombot (A) a működés elindításához, ekkor a digitális „88” jelzőfény (J) világít. A működés leállításához nyomja meg ismét a bekapcsológombot (A).
3. Nyomja meg az alsó (C) vagy (D) gombot a helyiség kívánt páratartalmának beállításához, amely 30% és 90% között állítható be 5%-os időközönként vagy „CO”.

Egy munkaidő után:

- ha a környezet páratartalma 2%-kal alacsonyabb, mint a kiválasztott páratartalom, a kompresszor leáll,
- ha a környezet páratartalma egyenlő vagy 3%-kal magasabb, mint a kiválasztott páratartalom, a kompresszor 3 perces kompresszorvédelmi idő letelte után újraindul.

4. IDŐZÍTŐ FUNKCIÓ

Nyomja meg az időzítő gombot (D) a program az időt:

- amikor a készülék be van kapcsolva a késleltetett leállítás funkció beállításához:
- Az időzítő gomb (D) többszöri megnyomásával állítsa be a kívánt időt, 0-1-2.....23-24 között kering. Az időjelző (E) világít. A kívánt idő elteltével a készülék leáll.
- amikor a készülék ki van kapcsolva a késleltetett indítás funkció beállításához:
- Az időzítő gomb (D) többszöri megnyomásával állítsa be a kívánt időt, 0-1-2.....23-24 között kering. Az időjelző (E) világít. A készülék a kívánt idő elteltével működésbe lép.
- Az időzítő programozás törléséhez nyomja le az időzítő gombot (D) nullára.
- A beprogramozott idő változatlan marad, ha a gép megtelt víztartály miatt vagy önléolvasztás közben leáll.

5. VÍZTARTÁLY ELVEZETÉS

Amikor a víztartály (7) megtelik, a jelzőlámpa (H) kigyullad, a működés automatikusan leáll, és a berregő 15-ször sípol, hogy figyelmeztesse a felhasználót, hogy a vizet ki kell üríteni a víztartályból (7). Tekintse meg a 4. és 5. képet. A vízvezetési eljárás a következő:

- Két kézzel finoman nyomja meg a tartály (7) oldalait, és óvatosan húzza ki a tartályt.
- Öntse ki az összegyűlt vizet. Ha a víztartály (7) szennyezett, mossa ki hideg vagy langyos vízzel.
- MEGJEGYZÉS: Ne vegye ki az úszómedencét (11) a víztartályból (7). A beépített teljes vízérzékelő már nem tudja megfelelően érzékelni a vízszintet az úszó lavór (11) nélkül, és a készülék leáll.
- Amikor visszahelyezi a víztartályt (7), két kézzel erősen nyomja a helyére. Ha a tartály nincs megfelelően elhelyezve, a beépített telvíz-érzékelő nem aktiválódik, így a páramentesítő nem fog működni.

6. FOLYAMATOS VÍZELVEZETÉS FUNKCIÓ

Ha a páratartalom szintjét „CO”-ra állítja a digitális kijelzőn (J), a kompresszor folyamatosan működik. A felhasználó:

6.a. csatlakoztassa a leeresztő tömlőt (10)

Ha a felhasználó csatlakoztatja a leeresztő tömlőt (10), a víz folyamatosan kifolyik a mosogatóba/fürdőkádba vagy más külső tartályba, amelyet felállít. A készülék folyamatos vízleeresztő nyílással (14) rendelkezik - lásd a 3. ábrát. Ki kell venni a víztartályt (7), hogy a leeresztő tömlőt (10) a folyamatos vízleeresztő nyíláshoz (14) szerelje össze. A leeresztő tömlőt (10) (10 mm belső átmérővel) a 3. képen látható 14-es nyílásra kell helyezni. A víz folyamatosan üríthető a nyíláson (14).

6.b. ne csatlakoztassa a leeresztő tömlőt (10).

Ha a felhasználó nem csatlakoztatja a leeresztő tömlőt (10), a víz a víztartályba (7) folyik le. Ha a víztartály (7) megtelik, a készülék automatikusan leáll.

7. AUTOMATIKUS KIOLVASZTÁS FUNKCIÓ

Amikor dör gyűlik fel a beépített elpárolgató tekercsen, a kompresszor kikapcsol, és a készülék automatikusan önleolvasztó üzemmódba kapcsol. A leolvasztási mód befejezése után a készülék visszatér az előző üzemi beállításokhoz. Ha a készülék 5 Celsius-fok és 12 Celsius-fok közötti hőmérsékletű helyiségben üzemel, akkor nagyjából 30 percenként önleolvasztó üzemmódba lép. Ha a készülék 12 Celsius-fok és 20 Celsius-fok közötti hőmérsékletű helyiségben üzemel, akkor nagyjából 45 percenként önkiválasztó üzemmódba lép.

Tisztítás és karbantartás

1. Kapcsolja ki a készüléket, és húzza ki a hálózati csatlakozót, mielőtt bármilyen tisztítási vagy egyéb rutinszerű karbantartást végezne.
2. Az áramütés veszélyének elkerülése érdekében tisztításkor soha ne szórjon vagy öntsön vizet a páratlanítóra.
3. A készülék mozgatása előtt kapcsolja ki a készüléket és ürítse ki a vizet a víztartályból. Mozgás közben feltétlenül fogja meg a fogantyút.
4. Nedves ruhával törölje le a készülék házát.
5. Ne szerelje le az úszót (11) a víztartályról (7). A víztartály (7) tisztításához ne használjon tisztítószert, súrolószivacsot, vegyileg kezelt portörölt, benzint, benzint, higítót vagy más oldószert, mivel ezek megkarcolhatják és károsíthatják a tartályt, és vízszivárgást okozhatnak.
6. A tervezett, hosszú ideig tartó folyamatos működés előtt időszakos ellenőrzés szükséges, különösen a légszűrő (12) és a leeresztő tömlő (10) esetében.
7. A szűrők tisztításához vagy cseréjéhez:
 - húzza ki a csatlakozódugót és vegye ki a víztartályt (7),
 - távolítsa el a rácsot (13) a 6. képen látható módon,
 - óvatosan távolítsa el a hálós levegőszűrőt (12) a szűrőrácsról (13),
 - kéthetente tisztítsa meg a szűrőt porszívóval. A szennyeződés eltávolításához enyhén futtasson át egy porszívót a levegőszűrő (12) felületén. Ha a légszűrő (12) rendkívül szennyezett, mossa le meleg vízzel és enyhe tisztítószerral, majd szárítsa meg alaposan. A páratlanítási teljesítmény csökkenhet, ha a szűrő eltömődött törmelékkel.
 - helyezze a szűrőt a szűrőrácsba és szerelje vissza a készülék házba.
8. Ne tisztítsa a készüléket benzinnel, higítóval vagy folyékony mosószerral.
9. Tárolás: ha a készüléket hosszabb ideig nem használja, és tárolni szeretné, vegye figyelembe a következő lépéseket:
 - Ürítse ki a víztartályban maradt vizet.
 - Hajtsa fel a tápkábelt (8), és helyezze be a víztartályba (7).
 - Tisztítsa meg a hálós levegőszűrőt (12).
 - Tárolás hűvös és száraz helyen.

HIBAELHÁRÍTÁS

Ha az alábbiakban felsorolt állapot fordul elő, kérjük, ellenőrizze az alábbi tételeket, mielőtt felhívna az ügyfélszolgálatot.

1. probléma: A készülék nem működik.

1. lehetséges ok: Kihúzták a tápkábelt?

A probléma megoldása: Dugja be a tápkábelt a konnektorba.

2. lehetséges ok: Villog a tele víztartály jelzőfénye (H)?

A probléma megoldása: A tartály megtelt vagy rossz helyen van. Ürítse ki a víztartályt (7), majd helyezze vissza a tartályt.

3. lehetséges ok: A helyiség hőmérséklete 35 Celsius-fok felett vagy 5 Celsius-fok alatt van?

Probléma megoldása: A beépített védőberendezés aktiválódik, és a páramentesítő nem indítható el a helyiség 35 Celsius fok feletti vagy 5 Celsius fok alatti hőmérsékletén.

2. probléma: A páratlanító funkció nem működik

1. lehetséges ok: Eltömődött a légszűrő (12)?

1. probléma megoldása: Tisztítsa meg a levegőszűrőt a „Tisztítás és karbantartás” – 7. pontban leírtak szerint.

2. lehetséges ok: Eltömődött a levegő bemeneti nyílás (5) vagy a levegőkimenet (2)?

A probléma megoldása: Távolítsa el az akadályt.

3. probléma: Nem távozik levegő.

1. lehetséges ok: Eltömődött a légszűrő (12)?

A probléma megoldása: Tisztítsa meg a levegőszűrőt a "Tisztítás és karbantartás" - 7. pontban leírtak szerint.

4. probléma: A működés zajos

Lehetséges ok 1: A készülék megdőlt vagy bizonytalan helyzetben van?

A probléma megoldása: Helyezze a készüléket stabil, egyenletes, szilárd felületre.

2. lehetséges ok: Eltömődött a hálós levegőszűrő (12)?

A probléma megoldása: Tisztítsa meg a levegőszűrőt a "Tisztítás és karbantartás" - 7. pontban leírtak szerint.

5. probléma: E1 kód a digitális kijelzőn (J)

1. lehetséges ok: A tekercsérzékelő rövidzárlat vagy szakadás

A probléma megoldása: Vegye fel a kapcsolatot a vásárlási számlát kiállító eladóval.

MŰSZAKI IDŐPONT:

Párátlanító kapacitás 30°C-on / 80% relatív páratartalom: 10 liter / 24 óra

Zajsztint: <= 42 dB(A)

Víztartály kapacitása: 2,0 liter

Légáramlás: 150m³/óra

R290 hűtőfolyadék tömege: 45 gramm

Névleges bemeneti teljesítmény: 280 W

Tápellátás: 220-240V ~50Hz



Vigyázat, tűzveszély.

NE szúrja ki vagy égesse el.

Ügyeljen arra, hogy a hűtőközeg nem tartalmazhat szagot.

A készüléket 4 m²-nél nagyobb alapterületű helyiségben kell felszerelni, üzemeltetni és tárolni.

A hűtőközeg maximális mennyisége: 45 g.



A környezet védelme érdekében kérjük külön karton dobozok és műanyag zsákokat és dobja őket a megfelelő hulladék közé. Használt készüléket kell eljuttatni a kijelölt gyűjtőhelyekre miatt veszélyes elemek alkatrészeket, amelyek hatással lehetnek a környezetre. Ne dobja a készüléket a közös szemétkosárba.

SUOMI

YLEISET TURVALLISUUSOLOSUHTEET

TÄRKEITÄ TURVAOHJEITA LUE HUOLELLISESTI JA SÄILYÄ TULEVAISUUTTA

1. Lue käyttöohjeet ja noudata niiden ohjeita ennen laitteen käyttöä. Valmistaja ei ole vastuussa vahingoista, jotka aiheutuvat laitteen käyttötarkoituksen vastaisesta käytöstä tai virheellisestä käytöstä.
2. Laite on tarkoitettu vain kotikäyttöön. Älä käytä muihin tarkoituksiin, jotka eivät ole sen käyttötarkoitukseen.
3. Laite saa kytkeä vain pistorasiaan, jonka maadoitus on 220 240 V ~ 50 Hz. Käyttöturvallisuuden lisäämiseksi useita sähkölaitteita ei tule kytkeä samaan virtapiiriin.
4. Ole erityisen varovainen käyttäessäsi laitetta, kun lapset ovat lähellä. Älä anna lasten leikkiä laitteen kanssa, älä anna lasten tai muiden tuntemattomien käyttää sitä.
5. VAROITUS: Tätä laitetta voivat käyttää yli 8-vuotiaat lapset ja henkilöt, joilla on rajoitetut fyysiset, aisti- tai henkiset kyvyt tai ihmiset, joilla ei ole kokemusta tai tietoa laitteista, jos tämä tehdään vastuussa olevan henkilön valvonnassa. heidän turvallisuutensa vuoksi tai heille on annettu tietoja laitteen turvallisesta käytöstä ja he ovat tietoisia laitteen käytön vaaroista. Lasten ei tulisi leikkiä laitteilla. Laitetta ei saa puhdistaa ja huoltaa, elleivät lapset ole yli 8-vuotiaita ja nämä toimet suoritetaan valvonnassa.
6. Irrota virtajohto aina pitämällä pistorasiaa kädellä käytön jälkeen. ÄLÄ vedä virtajohtoa.
7. Älä upota kaapelia, pistoketta ja koko laitetta veteen tai muuhun nesteeseen. Älä altista laitetta ilmasto-olosuhteille (sade, aurinko jne.) Tai käytä korkean kosteuden olosuhteissa (kylpyhuoneet, kosteat asuntovaunut).
8. Tarkista säännöllisesti virtajohtojen kunto. Jos virtajohto on vaurioitunut, se on vaihdettava erikoistuneeseen korjaamoon vaaran välttämiseksi.

9. Älä käytä laitetta vaurioituneen virtajohdon kanssa tai jos se on pudonnut tai vaurioitunut jollakin muulla tavalla tai jos se ei toimi oikein. Älä korjaa laitetta itse, koska siinä on sähköiskun vaara. Vie vaurioitunut laite asianmukaiseen huoltokeskukseen tarkistamista tai korjaamista varten. Kaikki korjaukset saa suorittaa vain valtuutetut huoltoliikkeet. Väärin suoritettavat korjaukset voivat aiheuttaa vakavan vaaran käyttäjälle.
10. Sijoita laite viileälle, vakaalle alustalle, pois kuumista keittiövälineistä, kuten sähköliesi, kaasupoltin jne.
11. Varmista, että mikään ei estä laitteen ilmanottoa ja poistoa
12. Käytä laitetta vain tasaisella pinnalla estämään kondenssiveden valuminen
13. Lisäsuojauksen tarjoamiseksi on suositeltavaa asentaa sähkövirtapiiriin jäännösvirtalaitte (RCD), jonka nimellisvirtavirta ei ylitä 30mA. Pyydä sitä sähköasentajalta.
14. Puhdista ilmansuodatin säännöllisesti. Puhdistuksen tiheys riippuu ilman puhtaudesta.
15. Kun olet sammuttanut koneen, odota vähintään 5 minuuttia ennen kuin kytket sen takaisin päälle.
16. Tehokasta ilmankuivausta varten laitteiden sivuseinien ja puristettujen huonekalujen tai verhojen väliin tulee käyttää vähintään 20 cm:n rako.
17. Älä suihkuta kuivainta tulipalo- tai räjähdysvaaran välttämiseksi
18. Jos haluat käyttää kotelon osia, älä sijoita ilmankuivainta lämmityslaitteiden läheisyyteen.
19. Poista säiliöön kerätty vesi. Vesi vahingossa juominen tai sen käyttäminen muiden kanssa voi aiheuttaa sairauden.
20. Ei tue laitteita, joissa takakuori on poistettu liikkuvien ja kuumien osien takia.
21. Älä käytä muita kuin valmistajan suosittelemia sulatus- tai käyttöprosesseja.
22. Laitteen tulisi olla saatavana osana pysyvää sytytyslähteiden luetteloa, ts. Ilman avointa liekkiä, ilman toimivaa kaasulaitetta tai ilman toimivan laitteen lämmitintä.
23. Älä lävistä tai tupakoi.
24. Huomaa, että jäähdytysvalmistajat eivät saa sisältää hajusteita.

Ennen ensimmäistä käyttöä:

1. Ilmankuivainta on käytettävä tasaisella ja vakaalla pinnalla. Pidä etäisyydet yksikön ja muiden esineiden välillä kuvan 1 mukaisesti sopivan tehokkuuden varmistamiseksi. Sulje kaikki huoneet, joissa haluat kuivata ilman, kaikki ikkunat ja ovet.
2. Älä käytä ilmankuivainta ja tyhjennysletkua ympäristön lämpötilassa alle 0 ° C veden jäätyksen estämiseksi.
3. Älä käytä ilmankuivainta ulkopuolella. Altistuminen suoralle auringonvalolle tai sateelle voi aiheuttaa ylikuumenemisen, sähköiskun ja tulipalon.
4. Älä laita vesisäiliötä ilmankuivaimeen, jotta vältetään veden vuotaminen laitteen sisälle ja se vaurioittaa eristystä.
5. Älä koskaan yritä käyttää ilmankuivainta erityiskäyttöön, kuten elintarvikkeiden kosteudenpoistoon tai taideesineiden säilömiseen tai vastaavaan.
6. Älä käytä ilmankuivainta, jos öljyä tai palavaa kaasua voi vuotaa. Älä käytä laitetta paikoissa, joihin altistuu kemikaaleja.
7. Jatkuvaa tyhjennystä varten varmista, että tyhjennysletku on asetettu oikein kaltevuudella.
8. Ole varovainen, etteivät lämmityslaitteet ole alltiina kosteudenpoistimen aiheuttamalle tuulelle.
9. Älä käytä ilmankuivainta tuolina tai jalkatyökaluina.
10. Älä poista kellukevipua vesisäiliöstä.
11. Älä tukki ilmanottoaukkoja ja ilmanottoaukkoja.
12. Älä peitä yksikköä pestyillä vaatteilla.
13. Ennen jatkuvaa käyttöä pitkään, säännöllinen tarkastus vaaditaan erityisesti ilmanpuhdistussuodattimelle, tyhjennysletkulle tai vastaavalle.
14. Laitte on asennettava, käytettävä ja varastoitava lattiapinta-alaltaan yli 4 neliömetrin tilaan ja tilaan, jossa on hyvä ilmanvaihto.
15. Älä koskaan työnnä sormiasi, sauvojasi ilmanpoisto- ja tuloaukkoon.

Tuotekuvaus: AD7861 ilmankuivain (kuva 2)

1. Kantokahva helppoa

2. Ilmanpoistoaukko

3. Takakotelo

4. Ohjauspaneeli

5. Ilmanotto

6. Etukotelo

7. Vesisäiliö 2,0L

8. Virtajohto

9. Jalka

10. Tyhjennysletku

11. Uimuri

12. Ilmansuodatin

13. Suodatinritilä

14. Jatkuva vedenpoistoaukko

Ohjauspaneeli

A. Virtapainike

B. Halutun kosteuden vähennyspainike

C. Halutun kosteuden lisäyspainike

D. Ajastin 0-24 tunnin painike

E. Ajastimen ilmaisim

F. Itsesulatuksen ilmaisim

G. Kompressorin toiminnan ilmaisim

H. Täyden vesisäiliön ilmaisim

J. Digitaalinen "88"-osoitin

Digitaalinen "88"-osoitin (J) näyttää:

- valittu haluttu kosteustaso alueella: 30-90 prosenttia suhteellisesta kosteudesta (RH)

- Tuntia alueella: 1-24, kun ohjelmoi viivästetty käynnistys tai viivästetty pysäytys

- "LO" - tarkoittaa alhaista, kun ympäristön kosteus on alle 35 %

- "HI" - tarkoittaa korkeaa, kun ympäristön kosteus on yli 95 %.

KÄYTTÖ

1. Kytke laite pistorasiaan.

2. Aloita toiminta painamalla virtapainiketta (A), digitaalinen "88"-merkkivalo (J) syttyy. Lopeta toiminta painamalla virtapainiketta (A) uudelleen.

3. Paina pohjaa (C) tai (D) asettaaksesi huoneen halutun kosteustason, joka voidaan asettaa 30 %:sta 90 %:iin 5 %:n välein tai "CO".

Työjakson jälkeen:

- kun ympäristön kosteus on 2 % alhaisempi kuin valittu kosteus, kompressorin pysähtyminen,

- kun ympäristön kosteus on yhtä suuri tai korkeampi kuin valittu kosteus 3 %, kompressorin käynnistyy uudelleen 3 minuutin kompressorin suojausajan kuluttua.

4. AJASTINTOIMINTO

Paina ajastinpainiketta (D) on ohjelman aika:

- kun laite käynnistetään ajastimen pysäytystoiminnon määrittämiseksi:

Sääädä haluamasi aika painamalla ajastinpainiketta (D) toistuvasti, se kiertää välillä 0-1-2.....23-24. Kellonajan merkkivalo (E) syttyy. Laite lopettaa toiminnan halutun ajan kuluttua.

- kun laite on sammutettu viivästetty käynnistystoiminnon määrittämiseksi:

Sääädä haluamasi aika painamalla ajastinpainiketta (D) toistuvasti, se kiertää välillä 0-1-2.....23-24. Kellonajan merkkivalo (E) syttyy. Laite käynnistyy halutun ajan kuluttua.

Peruuta ajastinohjelmointi painamalla ajastinpainiketta (D) nollaan.

Ohjelmoitu aika pysyy ennallaan, jos kone lakkaa toimimasta vesisäiliön täyttymisen tai itsesulatuksen aikana.

5. VESISÄILIÖN TYHJENTÄMINEN

Kun vesisäiliö (7) on täynnä, merkkivalo (H) syttyy, toiminta pysähtyy automaattisesti ja summeri piippaa 15 kertaa varoittaakseen käyttäjää, että vesi on tyhjennettävä vesisäiliöstä (7). Katso kuvat 4 ja 5. Veden tyhjennysmenettely on:

- Paina kevyesti säiliön (7) sivuja molemmin käsin ja vedä säiliö varovasti ulos.

- Kaada kerätty vesi pois. Jos vesisäiliö (7) on likainen, pese se kylmällä tai haalealla vedellä.

HUOMAUTUS: Älä poista uimuria (11) vesisäiliöstä (7). Sisäänrakennettu täysvesianturi ei enää pysty havaitsemaan veden tasoa oikein ilman uimuria (11) ja laite lakkaa toimimasta.

- Kun asetat vesisäiliön (7) takaisin, paina säiliö lujasti paikalleen molemmin käsin. Jos säiliötä ei ole asetettu oikein, sisäänrakennettu täyden veden anturi ei aktivoitu, joten ilmankuivain ei toimi.

6. JATKUVA VEDEN POISTAMISTOIMINTO

Kun kosteustasoksi asetetaan "CO" digitaalinäytössä (J), kompressorin käy jatkuvasti. Käyttäjä voi:

6.a. liittää tyhjennysletku (10)

Jos käyttäjä liittää tyhjennysletkun (10), vesi valuu jatkuvasti pesualltaaseen/ammeeseen tai muuhun ulkopuoliseen astiaan, jonka asennat. Laitteessa on jatkuva vedenpoistoaukko (14) - katso kuva 3. Vesisäiliö (7) on irrotettava, jotta tyhjennysletku (10) asennetaan jatkuvaan vedenpoistoaukkoon (14). Tyhjennysletku (10) (sisähalkaisija 10 mm) tulee asettaa kuvan 3 mukaiseen aukkoon (14). Vettä voidaan jatkuvasti tyhjentää ulos portista (14).

6.b. älä liittää tyhjennysletkua (10).

Jos käyttäjä ei liitä tyhjennysletkua (10), vesi valuu vesisäiliöön (7). Kun vesisäiliö (7) on täynnä, laite pysähtyy automaattisesti.

7. AUTOMAATTINEN SULATUSTOIMINTO

Kun huurre kerääntyy sisäänrakennetun höyrytimen patterin päälle, kompressorin sammuu ja laite siirtyy automaattisesti itsesulatusutilaan.

Sulatulustilan päätyttyä laite palaa aikaisempiin käyttöasetuksiin. Kun laite toimii huoneessa, jonka lämpötila on 5 - 12 celsiusastetta, se siirtyy itsesulatulustilaan noin 30 minuutin välein. Kun laite on käytössä huoneessa, jonka lämpötila on 12-20 celsiusastetta, se siirtyy itsesulatulustilaan noin 45 minuutin välein.

Puhdistus ja huolto

1. Katkaise laitteesta virta ja irrota virtajohto ennen minkään puhdistuksen tai muun rutiinihuollon aloittamista.
2. Sähköiskun välttämiseksi älä koskaan pirskota tai läikytä vettä ilmankuivaajalle puhdistuksen aikana.
3. Sammuta laite ja tyhjennä vesi vesisäiliöstä ennen laitteen siirtämistä. Muista pitää kiinni kahvasta liikkuessasi.
4. Pyyhi laitteen kotelo kostealla liinalla.
5. Älä irrota kelluketta (11) vesisäiliöstä (7). Älä käytä vesisäiliön (7) puhdistamiseen pesuaineita, hankaustyyntyjä, kemiallisesti käsiteltyjä pölyliinoja, bensiniä, bentseeniä, tinneriä tai muita luottimia, koska ne voivat naarmuttaa ja vahingoittaa säiliötä ja aiheuttaa vesivuotoja.
6. Ennen suunniteltua pitkäkestoista jatkuvaa käyttöä, erityisesti verkkoilmansuodatin (12) ja tyhjennysletku (10) on tarkastettava säännöllisesti.
7. Puhdistaa tai vaihtaa suodattimet seuraavasti:
 - irrota pistoke ja irrota vesisäiliö (7),
 - irrota ristikko (13) kuvan 6 mukaisesti,
 - irrota verkkoilmansuodatin (12) varovasti suodatinritilästä (13),
 - Puhdista suodatin kahden viikon välein pölynimurilla. Käytä pölynimuria kevyesti ilmansuodattimen (12) pinnan yli poistaaksesi lian. Jos ilmansuodatin (12) on poikkeuksellisen likainen, pese se lämpimällä vedellä ja miedolla puhdistusaineella ja kuivaa huolellisesti. Kuivausteho saattaa heikentyä, jos suodatin on tukossa roskista.
 - laita suodatin suodatinritilän sisään ja asenna ne takaisin laitteen koteloon.
8. Älä puhdista laitetta bensiniä, tinnerillä tai nestemäisellä pesuaineella.
9. Säilytys: kun laitetta ei käytetä pitkään aikaan ja haluat säilyttää sen, huomioi seuraavat vaiheet:
 - Tyhjennä vesisäiliöön jäänyt vesi.
 - Käännä virtajohto (8) ylös ja aseta se vesisäiliön (7) sisään.
 - Puhdista verkkoilmansuodatin (12).
 - Säilytys viileässä ja kuivassa paikassa.

ONGELMIEN KARTTOITTAMINEN

Jos alla lueteltu tila ilmenee, tarkista seuraavat asiat ennen kuin soitat asiakaspalveluun.

Ongelma 1: Laite ei toimi.

Mahdollinen syy 1: Onko virtajohto irrotettu?

Ongelman ratkaisu: Liitä virtajohto pistorasiaan.

Mahdollinen syy 2: Vilkkuuko täyden vesisäiliön merkivalo (H)?

Ongelman ratkaisu: Säiliö on täynnä tai väärässä asennossa. Tyhjennä vesisäiliö (7) ja aseta säiliö takaisin paikoilleen.

Mahdollinen syy 3: Onko huoneen lämpötila yli 35 celsiusastetta vai alle 5 celsiusastetta?

Ongelman ratkaisu: Sisäänrakennettu suojalaite aktivoituu ja ilmankuivaaja ei voi käynnistää huoneen lämpötilassa yli 35 celsiusastetta tai alle 5 celsiusastetta.

Ongelma 2: Kosteudenpoistotoiminto ei toimi

Mahdollinen syy 1: Onko verkkoilmansuodatin (12) tukossa?

Ratkaisu ongelmaan 1: Puhdista ilmansuodatin kohdan "Puhdistus ja huolto" -kohdan 7 ohjeiden mukaisesti.

Mahdollinen syy 2: Onko ilmanottoaukko (5) tai ilmanpoistoaukko (2) tukossa?

Ongelman ratkaisu: Poista este.

Ongelma 3: Ilmaa ei poistu.

Mahdollinen syy 1: Onko verkkoilmansuodatin (12) tukossa?

Ongelman ratkaisu: Puhdista ilmansuodatin kohdan "Puhdistus ja huolto" -kohdan 7 ohjeiden mukaisesti.

Ongelma 4: Toiminta on meluisaa

Mahdollinen syy 1: Onko laite vakaalla tai epävakaalla asennossa?

Ongelman ratkaisu: Siirrä laite vakaalle, tasaiselle ja tukevalle alustalle.

Mahdollinen syy 2: Onko verkkoilmansuodatin (12) tukossa?

Ongelman ratkaisu: Puhdista ilmansuodatin kohdan "Puhdistus ja huolto" -kohdan 7 ohjeiden mukaisesti.

Ongelma 5: E1-koodi näkyy digitaalisessa ilmaisimessa (J)

Mahdollinen syy 1: Kelan anturin oikosulku tai avoin piiri

Ongelman ratkaisu: Ota yhteyttä myyjään, joka laati ostolaskusi.

TEKNINEN PÄIVÄMÄÄRÄ:

Kuivauskapasiteetti 30°C / 80 % RH: 10 litraa / 24 tuntia

Melutaso: <= 42dB(A)

Vesisäiliön tilavuus: 2,0 litraa

Ilmavirta: 150m3/tunti

R290 jäädytysnesteen paino: 45 grammaa

Nimellissyöttöteho: 280 W

Virtalähde: 220-240V ~ 50Hz



Varoitus, tulipalon vaara.

ÄLÄ puhkaise tai polta.

Huomaa, että kylmäaine ei saa sisältää hajua.

Laite tulee asentaa, käyttää ja varastoida tilaan, jonka lattiapinta-ala on suurempi kuin 4 m².

Kylmäaineen enimmäismäärä: 45 g.



Suojellaksesi ympäristöäsi: hävitä pahvilaatit ja muovipussit ja kierrätä ne niille tarkoitetuissa jätteasioissa. Käytetyt koneet tulee toimittaa niihin erioituneisiin keräyspisteisiin ympäristölle vaarallisten aineiden takia. Älä hävitä laitteita sekajätteessä.

РУССКИЙ

ОБЩИЕ УСЛОВИЯ БЕЗОПАСНОСТИ ВАЖНЫЕ ИНСТРУКЦИИ ПО БЕЗОПАСНОСТИ ВНИМАТЕЛЬНО ПРОЧТИТЕ И СОХРАНИТЕ НА БУДУЩЕЕ

1. Перед использованием устройства прочитайте инструкцию по эксплуатации и следуйте инструкциям, содержащимся в нем. Производитель не несет ответственности за ущерб, вызванный использованием устройства вопреки его назначению или неправильной эксплуатации.
2. Устройство предназначено только для домашнего использования. Не используйте для других целей, которые не по назначению.
3. Устройство должно быть подключено только к розетке переменного тока с заземлением 220 240 В ~ 50 Гц. Для повышения эксплуатационной безопасности, несколько электрических устройств не должны быть подключены к одной цепи тока одновременно.
4. Будьте предельно осторожны при использовании устройства, когда рядом находятся дети. Не позволяйте детям играть с устройством, не позволяйте детям или людям, незнакомым с устройством, использовать его.
5. ПРЕДУПРЕЖДЕНИЕ. Данное оборудование могут использовать дети старше 8 лет и люди с ограниченными физическими, сенсорными или умственными способностями или люди, которые не имеют опыта или знаний об оборудовании, если это делается под наблюдением ответственного лица. Для их безопасности или были предоставлены им информацию о безопасном использовании устройства и знают об опасностях его использования. Дети не должны играть с оборудованием. Чистка и техническое обслуживание устройства не должны выполняться детьми, за исключением случаев, когда им исполнилось 8 лет, и эти действия выполняются под наблюдением.
6. Всегда отсоединяйте штепсельную вилку, придерживая розетку рукой после использования. НЕ тяните за шнур питания.
7. Не погружайте кабель, вилку и все устройство в воду или любую другую жидкость.

Не подвергайте устройство воздействию атмосферных условий (дождь, солнце и т. Д.) И не используйте его в условиях повышенной влажности (ванные комнаты, влажные дома на колесах).

8. Периодически проверяйте состояние шнура питания. Если шнур питания поврежден, его следует заменить в специализированной ремонтной мастерской, чтобы избежать опасности.

9. Не используйте прибор с поврежденным шнуром питания, если он упал или поврежден каким-либо иным образом или он не работает должным образом. Не ремонтируйте устройство самостоятельно, так как существует риск поражения электрическим током. Доставьте поврежденное устройство в соответствующий сервисный центр для проверки или ремонта. Все ремонтные работы могут выполняться только авторизованными сервисными центрами. Неправильно выполненный ремонт может представлять серьезную опасность для пользователя.

10. Поместите устройство на прохладную, устойчивую поверхность, вдали от горячих кухонных приборов, таких как: электрическая плита, газовая горелка и т. Д.

11. Убедитесь, что ничто не блокирует вход и выход воздуха устройства

12. Используйте устройство только на ровной поверхности, чтобы предотвратить выпадение конденсата.

13. Для обеспечения дополнительной защиты рекомендуется установить устройство защитного отключения (УЗО) в электрической цепи с номинальным током не более 30 мА. Спросите электрика для этого.

14. Регулярно очищайте воздушный фильтр. Частота очистки зависит от чистоты воздуха.

15. После выключения машины подождите не менее 5 минут, прежде чем снова включить его.

16. Для эффективного осушения следует использовать зазор не менее 20 см между боковыми стенками приборов и сжатой мебелью или шторами.

17. Во избежание возгорания или взрыва не распыляйте сушилку.

18. Для использования частей корпуса не устанавливайте осушитель рядом с нагревательными приборами.

19. Удалите воду, собранную в баке. Случайно питьевая вода или использование ее с другими людьми может вызвать болезнь.

20. Не поддерживайте устройства со снятой задней крышкой из-за движущихся и горячих частей.

21. Не используйте никакие средства для оттаивания или работы, кроме тех, которые рекомендованы производителем.

22. Устройство должно быть доступно как часть постоянного списка источников возгорания, то есть без открытого пламени, без устройства с рабочим газом или без нагревателя с рабочим устройством.

23. Не прокалывать и не курить.

24. Обратите внимание, что производители холодильного оборудования не могут

содержать ароматизаторы.

Перед первым использованием:

1. Осушитель следует использовать на ровной и устойчивой поверхности, соблюдайте расстояния между устройством и другими объектами в соответствии с рисунком 1, чтобы обеспечить соответствующую эффективность. Закройте все окна и двери комнаты, в которой вы хотите осушить воздух.
2. Во избежание замерзания воды не используйте осушитель и сливной шланг при температуре окружающей среды ниже 0 ° C.
3. Не используйте осушитель снаружи. Воздействие прямых солнечных лучей или дождя может привести к перегреву, поражению электрическим током и пожару.
4. Не ставьте резервуар для воды на осушитель, чтобы избежать пролива воды внутрь устройства и ухудшения изоляции.
5. Никогда не пытайтесь использовать осушитель для специальных целей, таких как осушение пищевых продуктов или сохранение предметов искусства или тому подобное.
6. Не используйте осушитель, если возможна утечка масла или горячего газа. Не используйте устройство в местах, подверженных воздействию химикатов.
7. Для непрерывного слива убедитесь, что сливной шланг правильно установлен с уклоном.
8. Будьте осторожны, чтобы отопительный прибор не подвергался воздействию ветра от осушителя.
9. Не используйте осушитель как стул или подставку для ног.
10. Не снимайте поплавковый рычаг с водяного бака.
11. Не блокируйте воздухозаборники и воздуховыпускные отверстия.
12. Не накрывайте прибор стиральной одеждой.
13. Перед длительной непрерывной работой требуется периодическая проверка, особенно для фильтра очистки воздуха, сливного шланга или тому подобного.
14. Устройство должно устанавливаться, эксплуатироваться и храниться в помещении площадью более 4 квадратных метров и в помещении с хорошо проветриваемым помещением.
15. Никогда не просовывайте пальцы, стержни в отверстия для выхода и входа воздуха.

Описание изделия: Осушитель воздуха AD7861 (рисунок 2)

- | | | |
|--------------------------------|----------------------------------|-------------------------------|
| 1. Ручка для удобной переноски | 2. Выход воздуха | 3. Задний корпус |
| 4. Панель управления | 5. Воздухозаборник | 6. Передняя часть корпуса |
| 7. Резервуар для воды 2,0 л | 8. Шнур питания | 9. Ножка |
| 10. Сливной шланг | 11. Поплавок | 12. Сетчатый воздушный фильтр |
| 13. Сетка фильтра | 14. Порт непрерывного слива воды | |

панель управления

- | | |
|---|--|
| A. Кнопка питания | B. Кнопка уменьшения требуемой влажности |
| C. Кнопка увеличения желаемой влажности | D. Кнопка таймера 0-24 часа |
| E. Индикатор таймера | F. Индикатор саморазморозки |
| G. Индикатор работы компрессора | H. Индикатор полного бака для воды |
| J. Цифровой индикатор «88» | |

Цифровой индикатор «88» (J) покажет:

- выбранный желаемый уровень влажности в диапазоне: 30-90 процентов относительной влажности (RH)
- часов в диапазоне: 1-24, когда вы программируете отложенный запуск или отложенный останов
- «LO» – низкий, когда влажность окружающей среды ниже 35%
- "HI" - означает высокую, когда влажность окружающей среды выше 95%,

ПРИМЕНЕНИЕ

1. Подключите устройство.
2. Нажмите кнопку питания (A), чтобы начать работу, загорится цифровой индикатор «88» (J). Нажмите кнопку питания (A) еще раз, чтобы остановить работу.
3. Нажмите нижнюю часть (C) или (D), чтобы установить желаемый уровень влажности в помещении, который можно установить в диапазоне от 30% до 90% с интервалом 5% или «CO».

После периода работы:

- когда влажность окружающей среды ниже выбранной влажности на 2%, компрессор остановится,
- когда влажность окружающей среды равна или превышает выбранную влажность на 3%, компрессор перезапустится по истечении 3-минутного времени защиты компрессора.

4. ФУНКЦИЯ ТАЙМЕРА

Нажмите кнопку таймера (D), чтобы запрограммировать время:

- при включении устройства для настройки функции отложенной остановки:

Многочисленным нажатием кнопки таймера (D) установите желаемое время, оно будет циркулировать с 0-1-2.....23-24. Загорится индикатор времени (E). Устройство прекратит работу по истечении заданного времени.

- при выключенном устройстве настроить функцию отложенного старта:

Множественным нажатием кнопки таймера (D) установите желаемое время, оно будет циркулировать с 0-1-2.....23-24. Загорится индикатор времени (E). Устройство начнет работу, когда пройдет желаемое время.

Чтобы отменить программирование таймера, нажмите кнопку таймера (D) до нуля.

Запрограммированное время остается неизменным, если машина останавливается из-за полного бака для воды или во время саморазморозки.

5. ДРЕНАЖ ВОДЯНОГО БАКА

Когда резервуар для воды (7) наполнится, загорится индикатор (H), работа автоматически прекратится, и прозвучит 15 звуковых сигналов, чтобы предупредить пользователя о необходимости слить воду из резервуара для воды (7). Посмотрите на рисунки 4 и 5.

Процедура слива воды следующая:

- Слегка нажмите на боковые стороны бака (7) обеими руками и осторожно вытащите бак.

- Вылейте собранную воду. Если резервуар для воды (7) загрязнен, промойте его холодной или чуть теплой водой.

ПРИМЕЧАНИЕ: Не снимайте поплавковую заслонку (11) с резервуара для воды (7). Встроенный датчик заполнения водой больше не сможет правильно определять уровень воды без поплавковой заслонки (11), и устройство прекратит работу.

- При установке резервуара для воды (7) плотно прижмите его обеими руками. Если бак расположен неправильно, встроенный датчик заполнения водой не работает, поэтому осушитель не будет работать.

6. ФУНКЦИЯ ПОСТОЯННОГО СЛИВА ВОДЫ

При установке уровня влажности на «СО» на цифровом дисплее (J) компрессор будет работать непрерывно. Пользователь может:

6.а. подсоедините сливной шланг (10)

Если пользователь подсоединит сливной шланг (10), вода будет непрерывно стекать в раковину/ванну или другой внешний контейнер, который вы установите. Устройство оснащено портом непрерывного слива воды (14) - см. рисунок 3. Необходимо вынуть резервуар для воды (7), чтобы присоединить сливной шланг (10) к порту непрерывного слива воды (14). Сливной шланг (10) (с внутренним диаметром 10 мм) следует надеть на сливное отверстие порта (14), показанное на рисунке 3. Вода может непрерывно стекать из порта (14).

6.б. не подсоединяйте сливной шланг (10).

Если пользователь не подсоединит сливной шланг (10), вода будет стекать в резервуар для воды (7). Когда резервуар для воды (7) наполнится, устройство автоматически прекратит работу.

7. ФУНКЦИЯ АВТОМАТИЧЕСКОЙ РАЗМОРАЖИВАНИЯ

Когда на встроенном змеевике испарителя образуется иней, компрессор выключается, и устройство автоматически переходит в режим саморазморозки. После завершения режима разморозки устройство вернется к предыдущим рабочим настройкам. Когда устройство работает в помещении с температурой от 5 до 12 градусов Цельсия, оно будет переходить в режим саморазморозки примерно каждые 30 минут. Когда устройство работает в помещении с температурой от 12 до 20 градусов Цельсия, оно переходит в режим саморазморозки примерно каждые 45 минут.

Очистка и техническое обслуживание

1. Выключите устройство и выньте вилку из розетки перед началом очистки или другого планового обслуживания.

2. Во избежание риска поражения электрическим током никогда не брызгайте и не проливайте воду на осушитель во время чистки.

3. Перед перемещением устройства выключите устройство и слейте воду из резервуара для воды. Обязательно держитесь за ручку во время движения.

4. Протрите корпус устройства влажной тканью.

5. Не снимайте поплавок (11) с водяного бака (7). Для очистки резервуара для воды (7) не используйте моющие средства, губки для мытья посуды, химически обработанные тряпки для пыли, бензин, бензол, разбавитель или другие растворители, так как они могут поцарапать и повредить резервуар и вызвать утечку воды.

6. Перед запланированной непрерывной работой в течение длительного времени необходимо периодически проверять, особенно сетчатый воздушный фильтр (12) и сливной шланг (10).

7. Для очистки или замены фильтров следует:

- отсоедините вилку и выньте резервуар для воды (7),

- снимите сетку (13) как показано на рисунке 6,

- осторожно снимите сетчатый воздушный фильтр (12) с сетки фильтра (13),

- чистите фильтр каждые две недели с помощью пылесоса. Слегка проведите пылесосом по поверхности воздушного фильтра (12), чтобы удалить грязь. Если воздушный фильтр (12) сильно загрязнен, промойте его теплой водой с мягким моющим средством и тщательно высушите. Эффективность осушения может снизиться, если фильтр забит мусором.

- вставьте фильтр в фильтрующую сетку и соберите их обратно в корпус прибора.

8. Не очищайте устройство бензином, растворителем или жидким моющим средством.

9. Хранение: если устройство не используется в течение длительного периода времени и вы хотите сохранить его, обратитесь внимание на следующие шаги:

- Слейте воду, оставшуюся в резервуаре для воды.

- Сложите шнур питания (8) и вставьте его внутрь резервуара для воды (7).

- Очистите сетчатый воздушный фильтр (12).

- Хранение в прохладном и сухом месте.

ПОИСК НЕИСПРАВНОСТЕЙ

В случае возникновения перечисленных ниже условий, пожалуйста, проверьте следующие пункты, прежде чем звонить в службу поддержки клиентов.

Проблема 1: Устройство не работает.

Возможная причина 1: Был ли отсоединен шнур питания?

Решение проблемы: Вставьте шнур питания в розетку.

Возможная причина 2: Мигает ли индикатор полного резервуара для воды (H)?

Решение проблемы: бак полон или находится в неправильном положении. Опорожните резервуар для воды (7), а затем установите его на место.

Возможная причина 3: Температура в помещении выше 35 градусов Цельсия или ниже 5 градусов Цельсия?

Решение проблемы: Сработало встроенное защитное устройство и осушитель не запускается при температуре помещения выше 35 градусов Цельсия или ниже 5 градусов Цельсия.

Проблема 2: Функция осушения не работает

Возможная причина 1: Забит ли сетчатый воздушный фильтр (12)?

Решение проблемы 1: Очистите воздушный фильтр, как указано в разделе «Очистка и техническое обслуживание» — пункт 7.

Возможная причина 2: Не засорены ли воздухозаборник (5) или воздуховыпускной патрубок (2)?

Решение проблемы: Удалите препятствие.

Проблема 3: Воздух не выходит.

Возможная причина 1: Забит ли сетчатый воздушный фильтр (12)?

Решение проблемы: Очистите воздушный фильтр, как указано в разделе «Чистка и техническое обслуживание» - пункт 7.

Проблема 4: Работа шумная

Возможная причина 1: устройство наклонено или неустойчиво?

Решение проблемы: Переместите устройство на устойчивую, ровную, прочную поверхность.

Возможная причина 2: Забит ли сетчатый воздушный фильтр (12)?

Решение проблемы: Очистите воздушный фильтр, как указано в разделе «Чистка и техническое обслуживание» - пункт 7.

Проблема 5: Код E1 отображается на цифровом индикаторе (J)

Возможная причина 1: короткое замыкание или обрыв цепи датчика катушки.

Решение проблемы: Свяжитесь с продавцом, выставившим вам счет за покупку.

ТЕХНИЧЕСКАЯ ДАТА:

Мощность осушения при 30°C / 80% относительной влажности): 10 литров / 24 часа

Уровень шума: <= 42 дБ(A)

Емкость резервуара для воды: 2,0 литра

Воздушный поток: 150 м3/час

Вес охлаждающей жидкости R290: 45 грамм

Номинальная входная мощность: 280 Вт

Электропитание: 220-240В ~50Гц



EAC

Осторожно, риск возгорания.

НЕ прокалывать и не сжигать.

Имейте в виду, что хладагент может не иметь запаха.

Устройство должно устанавливаться, эксплуатироваться и храниться в помещении площадью более 4 м².

Максимальное количество заправляемого хладагента: 45 г.



Заботясь об окружающей среде.. Упаковку из картона передайте, пожалуйста, на макулатуру. Полиэтиленовые мешки (PE) выкидать в резервуар для пластмассы. Изношенное устройство надо передать в соответствующую точку хранения, так как находящиеся в устройстве опасные составляющие могут являться угрозой для окружающей среды. Электрическое устройство надо передать таким образом, чтобы ограничить его повторное употребление и использование. Если в устройстве находятся батареи, их надо вынуть и передать в точку хранения отдельно. Устройство не выкидать в резервуар для коммунальных отходов!

CONDIZIONI GENERALI DI SICUREZZA

IMPORTANTI ISTRUZIONI DI SICUREZZA LEGGERE ATTENTAMENTE E SALVARE PER IL FUTURO

1. Prima di utilizzare il dispositivo, leggere il manuale operativo e seguire le istruzioni in esso contenute. Il produttore non è responsabile per danni causati dall'uso del dispositivo contrario allo scopo previsto o al funzionamento improprio.
2. Il dispositivo è solo per uso domestico. Non utilizzare per altri scopi diversi da quelli previsti.
3. Il dispositivo deve essere collegato solo a una presa CA con una messa a terra da 220-240 V ~ 50 Hz. Per aumentare la sicurezza operativa, più dispositivi elettrici non devono essere collegati contemporaneamente a un circuito di corrente.
4. Usare estrema cautela quando si usa il dispositivo quando i bambini sono nelle vicinanze. Non consentire ai bambini di giocare con il dispositivo, non consentire ai bambini o alle persone che non hanno familiarità con il dispositivo di usarlo.
5. **AVVERTENZA:** questa apparecchiatura può essere utilizzata da bambini di età superiore a 8 anni e persone con capacità fisiche, sensoriali o mentali limitate o persone che non hanno esperienza o conoscenza dell'attrezzatura, se ciò viene fatto sotto la supervisione di una persona responsabile per la loro sicurezza o hanno ricevuto loro informazioni sull'uso sicuro del dispositivo e sono consapevoli dei pericoli connessi all'uso. I bambini non devono giocare con l'attrezzatura. La pulizia e la manutenzione del dispositivo non devono essere eseguite da bambini, a meno che non abbiano più di 8 anni e queste attività siano svolte sotto controllo.
6. Scollegare sempre la spina di alimentazione tenendo la presa con la mano dopo l'uso. **NON** tirare il cavo di alimentazione.
7. Non immergere il cavo, la spina e l'intero dispositivo in acqua o altri liquidi. Non esporre il dispositivo a condizioni atmosferiche (pioggia, sole, ecc.) O utilizzare in condizioni di elevata umidità (bagni, case mobili umide).
8. Controllare periodicamente le condizioni del cavo di alimentazione. Se il cavo di alimentazione è danneggiato, deve essere sostituito da un'officina specializzata per evitare pericoli.
9. Non utilizzare l'apparecchio con un cavo di alimentazione danneggiato o se è stato fatto cadere o danneggiato in altro modo o se non funziona correttamente. Non riparare il dispositivo da soli, poiché esiste il rischio di scosse elettriche. Portare il dispositivo danneggiato in un centro di assistenza adeguato per il controllo o la riparazione. Tutte le riparazioni possono essere eseguite solo da punti di assistenza autorizzati. Le riparazioni eseguite in modo errato possono causare gravi pericoli per l'utente.
10. Collocare il dispositivo su una superficie fresca e stabile, lontano da elettrodomestici da cucina caldi come: fornelli elettrici, bruciatori a gas, ecc.
11. Assicurarsi che nulla blocchi l'entrata e l'uscita dell'aria del dispositivo
12. Utilizzare il dispositivo solo su una superficie piana per evitare la fuoriuscita della condensa

13. Per fornire una protezione aggiuntiva, si consiglia di installare un dispositivo a corrente residua (RCD) nel circuito elettrico con una corrente residua nominale non superiore a 30 mA. Chiedi a un elettricista per questo.
14. Pulire regolarmente il filtro dell'aria. La frequenza della pulizia dipende dalla pulizia dell'aria.
15. Dopo aver spento la macchina, attendere almeno 5 minuti prima di riaccenderla.
16. Per un'efficace deumidificazione, è necessario utilizzare uno spazio di almeno 20 cm tra le pareti laterali dei dispositivi e i mobili o le tende compressi.
17. Per evitare il rischio di incendio o esplosione, non spruzzare l'asciugatrice
18. Per utilizzare le parti dell'alloggiamento, non posizionare il deumidificatore vicino ai dispositivi di riscaldamento.
19. Rimuovere l'acqua raccolta nel serbatoio. Bere accidentalmente acqua o usarla con altre persone può causare malattie.
20. Non supporta i dispositivi con il coperchio posteriore rimosso a causa di parti mobili e calde.
21. Non utilizzare alcun mezzo per eseguire lo scongelamento o il processo operativo diversi da quelli raccomandati dal produttore.
22. Il dispositivo dovrebbe essere disponibile come parte di un elenco permanente di fonti di accensione, vale a dire senza fiamma aperta, senza un dispositivo a gas funzionante o senza un riscaldatore del dispositivo funzionante.
23. Non perforare o fumare.
24. Si noti che i produttori di refrigerazione potrebbero non contenere fragranze.

Prima del primo utilizzo:

1. Il deumidificatore deve essere utilizzato su una superficie piana e stabile, mantenere le distanze tra l'unità e altri oggetti secondo la figura 1 per garantire un'efficienza adeguata. Chiudi tutte le finestre e le porte della stanza che vuoi deumidificare l'aria.
2. Per evitare il congelamento dell'acqua, non utilizzare il deumidificatore e il tubo di scarico a temperatura ambiente inferiore a 0 ° C
3. Non utilizzare il deumidificatore all'esterno. L'esposizione alla luce solare diretta o alla pioggia può provocare surriscaldamento, scosse elettriche e incendi.
4. Non mettere il serbatoio dell'acqua sul deumidificatore per evitare fuoriuscite d'acqua all'interno dell'unità e deteriorare l'isolamento.
5. Non tentare mai di utilizzare il deumidificatore per usi speciali, come la deumidificazione degli alimenti o la conservazione di oggetti d'arte o simili.
6. Non utilizzare il deumidificatore in presenza di perdite di olio o gas infiammabili. Non utilizzare l'unità in luoghi soggetti a sostanze chimiche.
7. Per lo scarico continuo, assicurarsi che il tubo di scarico sia impostato correttamente con la pendenza.
8. Fare attenzione che un apparecchio di riscaldamento non sia esposto al vento dal deumidificatore.
9. Non utilizzare il deumidificatore come sedia o poggiatesta.
10. Non rimuovere la leva del galleggiante dal serbatoio dell'acqua.
11. Non bloccare le prese d'aria e le prese d'aria.
12. Non coprire l'unità con indumenti lavati.
13. Prima di un funzionamento continuo per un lungo periodo, è necessario un controllo periodico, in particolare per il filtro di pulizia dell'aria, il tubo di scarico o simili.
14. Il dispositivo deve essere installato, utilizzato e conservato in una stanza con una superficie superiore a 4 metri quadrati e in una stanza con un'area ben ventilata.
15. Non inserire mai le dita o le bacchette nell'uscita e nell'ingresso dell'aria.

Descrizione del prodotto: AD7861 Deumidificatore d'aria (immagine 2)

- | | | |
|-------------------------------------|-------------------------------------|-----------------------------|
| 1. Maniglia per un facile trasporto | 2. Presa d'aria | 3. Alloggiamento posteriore |
| 4. Pannello di controllo | 5. Ingresso aria | 6. Alloggiamento anteriore |
| 7. Serbatoio dell'acqua 2.0L | 8. Cavo di alimentazione | 9. Piede |
| 10. Tubo di scarico | 11. Galleggiante | 12. Filtro aria a rete |
| 13. Griglia filtrante | 14. Porta di scarico acqua continua | |

Pannello di controllo

- | | |
|---|--|
| A. Pulsante di accensione | B. Pulsante di riduzione dell'umidità desiderata |
| C. Pulsante incremento umidità desiderata | D. Pulsante Timer 0-24 ore |
| E. Spia timer | F. Spia autosbrinamento |
| G. Indicatore attività compressore | H. Indicatore serbatoio acqua pieno |
| J. Indicatore digitale "88". | |

L'indicatore digitale "88" (J) mostrerà:

- livello di umidità desiderato selezionato nell'intervallo: 30-90 per cento di umidità relativa (RH)
- ore nel range: 1-24, quando si programma l'avvio ritardato o l'arresto ritardato
- "LO" – significa basso, quando l'umidità dell'ambiente è inferiore al 35%
- "HI" - significa alto, quando l'umidità dell'ambiente è superiore al 95%,

UTILIZZO

1. Collegare il dispositivo.
2. Premere il pulsante di alimentazione (A) per avviare il funzionamento, l'indicatore digitale "88" (J) si accenderà. Premere nuovamente il pulsante di accensione (A) per interrompere il funzionamento.
3. Premere la parte inferiore (C) o (D) per impostare il livello di umidità desiderato nella stanza, che può essere impostato dal 30% al 90% con intervalli del 5% o "CO".

Dopo un periodo di lavoro:

- quando l'umidità dell'ambiente è inferiore del 2% all'umidità selezionata, il compressore si fermerà,
- quando l'umidità dell'ambiente è uguale o superiore del 3% all'umidità selezionata, il compressore si riavvierà una volta trascorso il tempo di protezione del compressore di 3 minuti.

4. FUNZIONE TIMER

Premere il pulsante del timer (D) è il programma il tempo:

- all'accensione del dispositivo per impostare la funzione di arresto ritardato:

Premendo ripetutamente il pulsante del timer (D) si regola il tempo desiderato, verrà fatto circolare da 0-1-2.....23-24. L'indicatore del tempo (E) si accenderà. Il dispositivo smetterà di funzionare una volta trascorso il tempo desiderato.

- a dispositivo spento per impostare la funzione di partenza ritardata:

Premendo ripetutamente il pulsante del timer (D) si regola il tempo desiderato, verrà fatto circolare da 0-1-2.....23-24. L'indicatore del tempo (E) si accenderà. Il dispositivo inizierà a funzionare quando sarà trascorso il tempo desiderato.

Per annullare la programmazione del timer, premere il pulsante del timer (D) per azzerarlo.

Il tempo programmato rimane invariato se la macchina smette di funzionare per serbatoio acqua pieno o durante l'autosbrinamento.

5. SCARICO SERBATOIO ACQUA

Quando il serbatoio dell'acqua (7) è pieno, l'indicatore (H) si accende, il funzionamento si interrompe automaticamente e il cicalino emette un segnale acustico 15 volte per avvisare l'utente che l'acqua deve essere svuotata dal serbatoio dell'acqua (7). Guarda le figure 4 e 5. La procedura di drenaggio dell'acqua è:

- Premere leggermente sui lati del serbatoio (7) con entrambe le mani ed estrarre delicatamente il serbatoio.
- Versare l'acqua raccolta. Se il serbatoio dell'acqua (7) è sporco, lavarlo con acqua fredda o tiepida.

NOTA: Non rimuovere la valvola galleggiante (11) dal serbatoio dell'acqua (7). Il sensore di piena acqua incorporato non sarà più in grado di rilevare correttamente il livello dell'acqua senza il galleggiante a conca (11) e il dispositivo smetterà di funzionare.

- Quando si riposiziona il serbatoio dell'acqua (7), premerlo saldamente in posizione con entrambe le mani. Se il serbatoio non è posizionato correttamente, il sensore di acqua piena incorporato non verrà attivato, quindi il deumidificatore non funzionerà.

6. FUNZIONE DI SCARICO CONTINUO DELL'ACQUA

Quando si imposta il livello di umidità su "CO" sul display digitale (J), il compressore funzionerà continuamente. L'utente può:

6.a. collegare il tubo di scarico (10)

Se l'utente collega il tubo di scarico (10), l'acqua scorrerà continuamente verso il lavandino/vasca da bagno o altro contenitore esterno che verrà installato. Il dispositivo è dotato di una porta di scarico continuo dell'acqua (14) - vedere la figura 3. È necessario estrarre il serbatoio dell'acqua (7) per assemblare il tubo di scarico (10) alla porta di scarico continuo dell'acqua (14). Il tubo di scarico (10) (con un diametro interno di 10 mm) deve essere posizionato sul foro di scarico della porta (14) mostrato nella figura 3. L'acqua può essere continuamente scaricata dalla porta (14).

6.b. non collegare il tubo di scarico (10).

Se l'utente non collega il tubo di scarico (10), l'acqua verrà scaricata nel serbatoio dell'acqua (7). Quando il serbatoio dell'acqua (7) sarà pieno, il dispositivo smetterà di funzionare automaticamente.

7. FUNZIONE DI SBRINAMENTO AUTOMATICO

Quando la brina si accumula sulla serpentina dell'evaporatore integrata, il compressore si spegnerà e il dispositivo entrerà automaticamente in modalità di sbrinamento automatico. Dopo il completamento della modalità di sbrinamento, il dispositivo tornerà alle impostazioni di funzionamento precedenti. Quando il dispositivo è in funzione in una stanza con una temperatura compresa tra 5 gradi

Celsius e 12 gradi Celsius, entrerà in modalità di sbrinamento automatico all'incirca ogni 30 minuti. Quando il dispositivo è in funzione in una stanza con una temperatura compresa tra 12 e 20 gradi Celsius, entrerà in modalità di sbrinamento automatico ogni 45 minuti circa.

Pulizia e manutenzione

1. Spegner l'unità e scollegare la spina di alimentazione prima di iniziare qualsiasi operazione di pulizia o altra manutenzione ordinaria.
2. Per evitare il rischio di scosse elettriche, non spruzzare o versare acqua sul deumidificatore durante la pulizia.
3. Spegner il dispositivo e svuotare l'acqua dal serbatoio dell'acqua prima di spostare il dispositivo. Assicurati di tenerlo per la maniglia mentre ti muovi.
4. Pulire l'alloggiamento del dispositivo con un panno umido.
5. Non smontare il galleggiante (11) dal serbatoio dell'acqua (7). Per pulire il serbatoio dell'acqua (7) non utilizzare detersivi, spugnette abrasive, panni antipolvere trattati chimicamente, benzina, benzene, diluenti o altri solventi, in quanto possono graffiare e danneggiare il serbatoio e causare perdite d'acqua.
6. Prima del funzionamento continuo pianificato per una lunga durata, è necessario un controllo periodico in particolare per il filtro dell'aria a rete (12) e il tubo di scarico (10).
7. Per pulire o sostituire i filtri dovrebbe essere:
 - staccare la spina ed estrarre il serbatoio dell'acqua (7),
 - togliere la griglia (13) come indicato in figura 6,
 - rimuovere delicatamente il filtro dell'aria a rete (12) dalla griglia del filtro (13),
 - pulire il filtro ogni due settimane con un aspirapolvere. Passare leggermente un aspirapolvere sulla superficie del filtro dell'aria (12) per rimuovere lo sporco. Se il filtro dell'aria (12) è particolarmente sporco, lavarlo con acqua tiepida e un detersivo delicato e asciugarlo accuratamente. Le prestazioni di deumidificazione possono diminuire quando il filtro è ostruito da detriti.
 - inserire il filtro all'interno della griglia del filtro e rimontarli nell'alloggiamento del dispositivo.
8. Non pulire il dispositivo con benzina, solventi o detersivi liquidi.
9. Conservazione: quando il dispositivo non viene utilizzato per un lungo periodo di tempo e si desidera conservarlo, osservare i seguenti passaggi:
 - Svuotare l'eventuale acqua rimasta nel serbatoio dell'acqua.
 - Ripiegare il cavo di alimentazione (8) e inserirlo all'interno del serbatoio dell'acqua (7).
 - Pulire il filtro aria a rete (12).
 - Stoccaggio in luogo fresco e asciutto.

RISOLUZIONE DEI PROBLEMI

Se si verifica una delle condizioni elencate di seguito, controllare i seguenti elementi prima di chiamare il servizio clienti.

Problema 1: il dispositivo non funziona.

Possibile motivo 1: il cavo di alimentazione è stato scollegato?

Soluzione del problema: inserire il cavo di alimentazione nella presa.

Possibile motivo 2: L'indicatore del serbatoio dell'acqua pieno (H) lampeggia?

Soluzione del problema: Il serbatoio è pieno o in una posizione errata. Svuotare il serbatoio dell'acqua (7) e quindi riposizionare il serbatoio.

Possibile motivo 3: la temperatura della stanza è superiore a 35 gradi Celsius o inferiore a 5 gradi Celsius?

Soluzione del problema: il dispositivo di protezione integrato è attivato e il deumidificatore non può essere avviato a una temperatura della stanza superiore a 35 gradi Celsius o inferiore a 5 gradi Celsius.

Problema 2: La funzione di deumidificazione non funziona

Possibile motivo 1: Il filtro dell'aria a rete (12) è intasato?

Soluzione problema 1: pulire il filtro dell'aria come indicato in "Pulizia e manutenzione" – punto 7.

Possibile motivo 2: L'ingresso dell'aria (5) o l'uscita dell'aria (2) sono ostruiti?

Soluzione del problema: rimuovere l'ostruzione.

Problema 3: Non viene scaricata aria.

Possibile motivo 1: Il filtro dell'aria a rete (12) è intasato?

Soluzione del problema: pulire il filtro dell'aria come indicato in "Pulizia e manutenzione" - punto 7.

Problema 4: Il funzionamento è rumoroso

Possibile motivo 1: il dispositivo è inclinato o posizionato in modo instabile?

Soluzione del problema: spostare il dispositivo su una superficie stabile, piana e robusta.

Possibile motivo 2: Il filtro dell'aria a rete (12) è intasato?

Soluzione del problema: pulire il filtro dell'aria come indicato in "Pulizia e manutenzione" - punto 7.

Problema 5: codice E1 visualizzato sull'indicatore digitale (J)

Possibile motivo 1: cortocircuito o circuito aperto del sensore della bobina

Soluzione del problema: contatta il venditore che ti ha emesso la fattura di acquisto.

DATA TECNICA:

Capacità di deumidificazione a 30°C / 80% RH): 10 litri / 24 ore

Livello di rumore: <= 42dB(A)

Capacità del serbatoio dell'acqua: 2,0 litri

Flusso d'aria: 150 m3/ora

Peso refrigerante R290: 45 grammi
Potenza nominale in ingresso: 280 W
Alimentazione: 220-240V~50Hz



Attenzione, rischio di incendio.

NON forare o bruciare.

Tenere presente che il refrigerante potrebbe non contenere odori.

Il dispositivo deve essere installato, utilizzato e conservato in una stanza con una superficie maggiore di 4 m².

La quantità massima di carica di refrigerante: 45 g.



Prendiamoci cura dell'ambiente naturale. I contenitori in cartone dovrebbero essere portati all'apposito punto di raccolta. I sacchi in polietilene (PE) vanno buttati nel contenitore per la plastica. L'apparecchio fuori uso deve essere rottamato presso un centro di raccolta autorizzato, poiché contiene elementi pericolosi che potrebbero costituire una minaccia per l'ambiente. Il dispositivo elettrico deve essere consegnato in modo da limitare il suo riutilizzo. Se l'apparecchio contiene batterie, è necessario rimuoverle e smaltirle separatamente.

HRVATSKI

OPĆI UVJETI SIGURNOSTI

VAŽNE SIGURNOSNE UPUTE PROČITAJTE UPOZORENJE I SPREMITE SE ZA BUDUĆNOST

1. Prije upotrebe uređaja, pročitajte korisnički priručnik i slijedite upute sadržane u njemu. Proizvođač ne odgovara za štetu nastalu upotrebom uređaja suprotno njegovoj predviđenoj namjeni ili nepravilnom radu.
2. Uređaj je namijenjen samo kućnoj uporabi. Ne koristite za druge svrhe koje nisu prema njegovoj predviđenoj namjeni.
3. Uređaj treba spojiti samo na izmjeničnu utičnicu s uzemljenim 220 240V ~ 50Hz. Da bi se povećala operativna sigurnost, više električnih uređaja ne smije istovremeno biti povezano na jedan strujni krug.
4. Budite izuzetno oprezni kada koristite uređaj kada su djeca u blizini. Ne dopustite djeci da se igraju s uređajem, ne dopustite djeci ili osobama koje nisu upoznate s uređajem.
5. UPOZORENJE: Ovu opremu mogu koristiti djeca starija od 8 godina i osobe ograničene tjelesne, senzorne ili mentalne sposobnosti, ili ljudi koji nemaju iskustva ili znanje o uređaju, ako se to radi pod nadzorom odgovorne osobe radi njihove sigurnosti ili su im odobreni podaci o sigurnoj upotrebi uređaja i svjesni su opasnosti upotrebe uređaja. Djeca se ne bi trebala igrati s opremom. Čišćenje i održavanje uređaja ne smiju obavljati djeca, osim ako imaju više od 8 godina i ove aktivnosti se izvode pod nadzorom.
6. Uvijek isključite utikač držeći utičnicu rukom nakon uporabe. NE povlačite kabel za napajanje.
7. Ne uranjajte kabel, utikač i cijeli uređaj u vodu ili bilo koju drugu tekućinu. Ne izlažite uređaj atmosferskim uvjetima (kiša, sunce itd...) I ne koristite u uvjetima visoke vlage (kupaonice, vlažne mobilne kućice).
8. Povremeno provjeravajte stanje kabela za napajanje. Ako je mrežni kabel oštećen, zamijenite ga specijaliziranoj servisnoj službi kako biste izbjegli opasnost.
9. Ne koristite uređaj s oštećenim kablom za napajanje ili ako je ispao ili oštećen na bilo koji drugi način ili ako ne radi ispravno. Ne popravljajte uređaj sami jer postoji opasnost od električnog udara. Oštećeni uređaj odnesite u odgovarajući servisni centar radi provjere ili popravka. Sve popravke smiju obavljati samo ovlaštene servisi. Nepravilno izvedeni popravci mogu ozbiljno opasiti za korisnika.

10. Uređaj postavite na hladnu i stabilnu površinu, daleko od vrućih kuhinjskih uređaja kao što su: električni štednjak, plinski plamenik itd...
11. Pazite da ništa ne blokira dovod i izlaz zraka u uređaju
12. Koristite uređaj samo na ravnoj površini kako ne bi došlo do proljevanja kondenzata
13. Da biste osigurali dodatnu zaštitu, preporučljivo je u električni krug instalirati zaostalu struju (RCD), nazivna zaostala struja koja ne prelazi 30mA. Pitajte za to električara.
14. Redovito čistite filter za zrak. Učestalost čišćenja ovisi o čistoći zraka.
15. Nakon isključivanja stroja pričekajte najmanje 5 minuta prije nego što ga ponovno uključite.
16. Za učinkovito odvlaživanje vlage, potrebno je koristiti razmak od najmanje 20 cm između bočnih zidova uređaja i komprimiranog namještaja ili zavjesa.
17. Da biste izbjegli opasnost od požara ili eksplozije, ne prskajte sušilicu
18. Za korištenje dijelova kućišta, ne stavljajte ovlaživač zraka u blizinu grijaćih uređaja.
19. Uklonite vodu skupljenu u spremniku. Slučajno ispijanje vode ili korištenje s drugim ljudima može uzrokovati bolest.
20. Ne podržava uređaje s uklonjenim stražnjim poklopcem zbog pokretnih i vrućih dijelova.
21. Nemojte koristiti sredstva za otapanje ili rukovanje drugim proizvodima osim onih koje je preporučio proizvođač.
22. Uređaj bi trebao biti dostupan u sklopu stalnog popisa izvora paljenja, tj. Bez otvorenog plamena, bez radnog plinskog uređaja ili bez grijača radnog uređaja.
23. Ne probijajte i ne pušite.
24. Imajte na umu da proizvođači proizvoda za hlađenje možda ne sadrže mirise.

Prije prve upotrebe:

1. Odvlaživač mora se koristiti na ravnoj i stabilnoj površini, držati udaljenosti između jedinice i drugih predmeta u skladu sa slikom 1 kako bi se osigurala prikladna učinkovitost. Zatvorite sve prozore i vrata prostorije u kojima želite odmrznuti zrak.
2. Da biste spriječili zamrzavanje vode, ne koristite odvlaživač i odvodno crijevo na sobnoj temperaturi ispod 0 ° C
3. Ne koristite odvlaživač vani. Izloženost izravnoj sunčevoj svjetlosti ili kiši može rezultirati pregrijavanjem, strujnim udarom i požarom.
4. Ne stavljajte spremnik vode na odvlaživač zraka kako biste izbjegli proljevanje vode u uređaj unutar i oštetili izolaciju.
5. Nikad ne pokušavajte koristiti odvlaživač zraka za posebne namjene, kao što je odvlaživanje hrane ili očuvanje umjetničkih predmeta ili slično.
6. Ne koristite odvlaživač zraka gdje može doći do curenja ulja ili zapaljivog plina. Ne koristite jedinicu na mjestima koja su izložena kemikalijama.
7. Za kontinuirano odvodnja, osigurajte da je odvodno crijevo pravilno postavljeno uz nagib.
8. Pazite da uređaj za grijanje ne bude izložen vjetru iz uređaja za odvlaživanje zraka.
9. Nemojte koristiti odvlaživač zraka kao stolicu ili podlogu za stopala.
10. Ne uklanjajte plutajuću polugu iz spremnika vode.
11. Ne blokirajte otvore za zrak i otvore za zrak.
12. Ne prekrivajte jedinicu opranom odjećom.
13. Prije kontinuiranog rada dugog vremena, potrebna je periodična provjera, posebno za filter za čišćenje zraka, odvodno crijevo ili slično.
14. Uređaj se mora montirati, rukovati i skladištiti u prostoriji s podnom površinom većom od 4 kvadratna metra i u prostoriji s dobrom ventilacijom.
15. Nikada ne stavljajte svoje prste, šipke, u izlaz i ulaz zraka.

Opis proizvoda: AD7861 Odvlaživač zraka (slika 2)

- | | | |
|---------------------------------|--------------------------------------|---------------------------|
| 1. Ručka za jednostavno nošenje | 2. Otvor za zrak | 3. Stražnje kućište |
| 4. Upravljačka ploča | 5. Ulaz zraka | 6. Prednje kućište |
| 7. Spremnik za vodu 2.0L | 8. Kabel za napajanje | 9. Noga |
| 10. Odvodno crijevo | 11. Umivaonik s plovkom | 12. Mrežni filter za zrak |
| 13. Rešetka filtera | 14. Kontinuirani otvor za odvod vode | |

Upravljačka ploča

- | | |
|--|--|
| A. Gumb za napajanje | B. Gumb za smanjenje željene vlažnosti |
| C. Gumb za povećanje željene vlažnosti | D. Gumb Timer 0-24 sata |
| E. Indikator mjerača vremena | F. Indikator samoodleživanja |
| G. Indikator aktivnosti kompresora | H. Indikator punog spremnika vode |
| J. Digitalni indikator "88". | |

Digitalni indikator "88" (J) pokazat će:

- odabrana željena razina vlažnosti u rasponu: 30-90 posto relativne vlažnosti (RH)
- sati u rasponu: 1-24, kada programirate odgođeno pokretanje ili odgođeno zaustavljanje
- "LO" – znači nisko, kada je vlažnost okoline niža od 35%
- "HI" - znači visoka, kada je vlažnost okoline veća od 95%,

UPOTREBA

1. Uključite uređaj.
2. Pritisnite gumb za napajanje (A) za početak rada, digitalni indikator "88" (J) će svijetliti. Ponovno pritisnite gumb za uključivanje (A) kako biste zaustavili rad.
3. Pritisnite donji dio (C) ili (D) za postavljanje željene razine vlažnosti u prostoriji, koja se može postaviti od 30% do 90% u intervalima od 5% ili "CO".

Nakon perioda rada:

- kada je vlažnost okoline niža od odabrane vlažnosti za 2%, kompresor će se zaustaviti,
- kada je vlažnost okoline jednaka ili viša od odabrane vlažnosti za 3%, kompresor će se ponovno pokrenuti nakon 3-minutnog vremena zaštite kompresora.

4. FUNKCIJA TIMERA

Pritisnite tipku timera (D) i programirajte vrijeme:

- kada je uređaj uključen za postavljanje funkcije odgođenog zaustavljanja:

Uzastopnim pritiskom tipke timera (D) podesite željeno vrijeme, ono će kružiti od 0-1-2.....23-24. Indikator vremena (E) će svijetliti. Uređaj će prestati s radom kada prođe željeno vrijeme.

- kada je uređaj isključen za postavljanje funkcije odgođenog početka:

Uzastopnim pritiskom tipke timera (D) podesite željeno vrijeme, ono će kružiti od 0-1-2.....23-24. Indikator vremena (E) će svijetliti. Uređaj će početi s radom kada prođe željeno vrijeme.

Kako biste poništili programiranje timera, pritisnite gumb timera (D) na nulu.

Programirano vrijeme ostaje nepromijenjeno ako aparat prestane raditi zbog punog spremnika vode ili tijekom samoodmrzavanja.

5. DRENAŽA SPREMNIKA ZA VODU

Kada je spremnik za vodu (7) pun, indikator (H) svijetli, rad će se automatski zaustaviti i zvučni signal će se oglasiti 15 puta kako bi upozorio korisnika da treba isprazniti vodu iz spremnika za vodu (7). Pogledajte slike 4 i 5. Postupak odvodnje vode je:

- Objema rukama lagano pritisnite bočne strane spremnika (7) i nježno izvucite spremnik.
- Izlijte prikupljenu vodu. Ako je spremnik za vodu (7) prljav, operite ga hladnom ili mlakom vodom.

NAPOMENA: Nemojte skidati umivaonik s plovkom (11) iz spremnika za vodu (7). Ugrađeni senzor pune vode više neće moći pravilno detektirati razinu vode bez umivaonika s plovkom (11) i uređaj će prestati s radom.

- Kada vraćate spremnik za vodu (7), čvrsto pritisnite spremnik na mjesto s obje ruke. Ako spremnik nije pravilno postavljen, ugrađeni senzor pune vode neće biti aktiviran, pa odvlaživač neće raditi.

6. FUNKCIJA STALNE ODVODNJE VODE

Kada postavite razinu vlažnosti na "CO" na digitalnom zaslonu (J), kompresor će raditi neprekidno. Korisnik može:

6.a. spojite odvodno crijevo (10)

Ako korisnik spoji odvodno crijevo (10), voda će neprekidno otjecati u umivaonik/kadu ili drugu vanjsku posudu koju postavite. Uređaj ima priključak za kontinuirani odvod vode (14) - pogledajte sliku 3. Potrebno je izvaditi spremnik za vodu (7) kako biste montirali crijevo za odvod (10) na priključak za kontinuirani odvod vode (14). Odvodno crijevo (10) (s unutarnjim promjerom od 10 mm) treba postaviti na odvodnu rupu priključka (14) prikazanu na slici 3. Voda se može kontinuirano ispuštati iz priključka (14).

6.b. ne spajajte odvodno crijevo (10).

Ako korisnik ne spoji odvodno crijevo (10), voda će otjecati u spremnik za vodu (7). Kada se spremnik za vodu (7) napuni, uređaj će automatski prestati s radom.

7. FUNKCIJA AUTOMATSKOG ODMRZAVANJA

Kada se inje nakupi na ugrađenoj zavojnici isparivača, kompresor će se isključiti i uređaj će automatski prijeći u način rada za samoodleživanje. Nakon završetka načina odmrzavanja, uređaj će se vratiti na prethodne radne postavke. Kada uređaj radi u prostoriji s temperaturom između 5 stupnjeva Celzijusa i 12 stupnjeva Celzija, ući će u način rada samoodmrzavanja otprilike svakih 30 minuta. Kada uređaj radi u prostoriji s temperaturom između 12 stupnjeva Celzija i 20 stupnjeva Celzija, ući će u način rada samoodmrzavanja otprilike svakih 45 minuta.

Čišćenje i održavanje

1. Isključite jedinicu i odspojite utikač prije početka bilo kakvog čišćenja ili drugog rutinskog održavanja.
2. Kako biste izbjegli rizik od strujnog udara, nikada ne prskajte niti proljevajte vodu po odvlaživaču tijekom čišćenja.
3. Prije pomicanja uređaja isključite uređaj i ispraznite vodu iz spremnika za vodu. Obavezno držite za ručku dok se krećete.
4. Obrišite kućište uređaja mokrom krpom.
5. Nemojte rastavljati plovak (11) iz spremnika za vodu (7). Za čišćenje spremnika za vodu (7) nemojte koristiti deterdžent, spužvice za ribanje, kemijski tretirane krpe za prašinu, benzin, benzen, razrjeđivač ili druga otapala, jer mogu izgrebati i oštetiti spremnik i uzrokovati curenje vode.
6. Prije dugotrajnog dugotrajnog planiranog rada, potrebna je povremena provjera, posebno za mrežni filter zraka (12) i odvodno crijevo (10).
7. Za čišćenje ili zamjenu filtera treba:
 - odspojite utikač i izvadite spremnik za vodu (7),
 - uklonite rešetku (13) kao što je prikazano na slici 6,
 - nježno uklonite mrežasti filter za zrak (12) s rešetke filtera (13),
 - svaka dva tjedna očistite filter usisivačem. Lagano priđite usisivačem po površini zračnog filtera (12) kako biste uklonili prljavštinu. Ako je filter za zrak (12) izazivao prijav, operite ga toplom vodom i blagim sredstvom za čišćenje i temeljito osušite. Učinkovitost odvlaživanja može se smanjiti kada je filter začepljen krhotinama.
 - stavite filter unutar rešetke filtera i sastavite ih natrag u kućište uređaja.
8. Nemojte čistiti uređaj benzinom, razrjeđivačem ili tekućim deterdžentom.
9. Pohranjivanje: ako se uređaj ne koristi dulje vrijeme, a želite ga pohraniti, slijedite sljedeće korake:
 - Ispraznite vodu koja je ostala u spremniku za vodu.
 - Preklopite kabel za napajanje (8) i stavite ga u spremnik za vodu (7).
 - Očistite mrežni filter za zrak (12).
 - Skladištenje na hladnom i suhom mjestu.

RJEŠAVANJE PROBLEMA

Ako se dogodi stanje navedeno u nastavku, provjerite sljedeće stavke prije nego što nazovete službu za korisnike.

Problem 1: Uređaj ne radi.

Mogući razlog 1: Je li kabel za napajanje isključen?

Rješenje problema: Uključite kabel za napajanje u utičnicu.

Mogući razlog 2: Treperi li indikator punog spremnika vode (H)?

Rješenje problema: Spremnik je pun ili u pogrešnom položaju. Ispraznite spremnik za vodu (7), a zatim ponovno postavite spremnik.

Mogući razlog 3: Je li temperatura prostorije iznad 35 stupnjeva Celzija ili ispod 5 stupnjeva Celzija?

Rješenje problema: Ugrađeni zaštitni uređaj je aktiviran i odvlaživač se ne može pokrenuti pri temperaturi prostorije iznad 35 stupnjeva Celzija ili ispod 5 stupnjeva Celzija.

Problem 2: Funkcija odvlaživanja ne radi

Mogući razlog 1: Je li mrežni filter zraka (12) začepljen?

Problem rješenja 1: Očistite filter zraka prema uputama pod "Čišćenje i održavanje" – točka 7.

Mogući razlog 2: Je li ulaz zraka (5) ili izlaz zraka (2) začepljen?

Rješenje problema: Uklonite zapreku.

Problem 3: Nema ispuštanja zraka.

Mogući razlog 1: Je li mrežni filter zraka (12) začepljen?

Rješenje problema: Očistite filter zraka prema uputama pod "Čišćenje i održavanje" - točka 7.

Problem 4: Rad je bučan

Mogući razlog 1: Je li uređaj nagnut ili u nestabilnom položaju?

Rješenje problema: Premjestite uređaj na stabilnu, ravnu, čvrstu površinu.

Mogući razlog 2: Je li mrežni filter zraka (12) začepljen?

Rješenje problema: Očistite filter zraka prema uputama pod "Čišćenje i održavanje" - točka 7.

Problem 5: E1 kod prikazan na digitalnom indikatoru (J)

Mogući razlog 1: Kratki spoj ili otvoreni krug osjetnika svitka

Rješenje problema: Obratite se prodavaču koji vam je izdao račun.

TEHNIČKI DATUM:

Kapacitet odvlaživanja na 30°C / 80% RH): 10 litara / 24 sata

Razina buke: <= 42dB(A)

Kapacitet spremnika za vodu: 2,0 litre

Protok zraka: 150m3/sat

Težina rashladnog sredstva R290: 45 grama

Nazivna ulazna snaga: 280 W

Napajanje: 220-240V ~50Hz

Oprez, opasnost od požara.


NEMOJTE bušiti ili paliti.

Imajte na umu da rashladno sredstvo možda neće imati miris.

Uređaj se postavlja, koristi i skladišti u prostoriji tlocrtno površine veće od 4 m.².

Maksimalna količina punjenja rashladnog sredstva: 45 g.



 Vodimo brigu o prirodnem okolju. Kartonsku ambalažo molimo prenesti na odpadni papir. Polietilen (PE) vreče bacati v kontejner za plastiko. Istrošena oprema treba biti premještena na prikladno mjesto za pohranu, jer sadrže u uređaju opasne tvari mogu predstavljati opasnost za okoliš. Električni uređaj mora biti predat u takvom stanju da se smanji mogućnost njegove ponovne upotrebe. Ako vaš uređaj ima baterije, treba njih ukloniti i predati na mjesto za pohranu odvojeno.

SLOVENŠČINA

SPLOŠNI VARNOSTNI POGOJI

POMEMBNA VARNOSTNA NAVODILA PREVIDNO PREBERITE IN PRIPRAVITE SE ZA PRIHODNOST

1. Pred uporabo naprave preberite navodila za uporabo in sledite navodilom, ki jih vsebuje. Proizvajalec ne odgovarja za škodo, ki jo povzroči uporaba naprave v nasprotju s predvidenim namenom ali nepravilnim delovanjem.
2. Naprava je samo za domačo uporabo. Ne uporabljajte za druge namene, ki niso predvideni.
3. Napravo je treba priključiti na električno vtičnico le z ozemljenim 220 240 V ~ 50Hz. Za povečanje obratovalne varnosti več električnih naprav ne bi smelo biti priključeno na en tokovni tokokrog hkrati.
4. Bodite zelo previdni pri uporabi naprave, ko so otroci v bližini. Ne dovolite otrokom, da se igrajo z napravo, ne dovolite otrokom ali ljudem, ki jih naprava ne pozna, da jo uporabljajo.
5. **OPOZORILO:** To opremo lahko uporabljajo otroci, starejši od 8 let, in osebe z omejenimi telesnimi, senzoričnimi ali duševnimi sposobnostmi ali osebe, ki nimajo izkušenj ali znanja o opremi, če se to izvaja pod nadzorom odgovorne osebe. zaradi varnosti ali so jim bili odobreni podatki o varni uporabi naprave in se zavedajo nevarnosti uporabe. Otroci se ne smejo igrati z opremo. Čiščenja in vzdrževanja naprave ne smejo izvajati otroci, razen če so starejši od 8 let in se te dejavnosti izvajajo pod nadzorom.
6. Vedno odklopite napajalni kabel, tako da po uporabi držite vtičnico z roko. NE vlecite napajalnega kabla.
7. Kabla, vtiča in celotne naprave ne potopite v vodo ali katero koli drugo tekočino. Naprave ne izpostavljajte atmosferskim razmeram (dež, sonce itd...) In ne uporabljajte v pogojih visoke vlažnosti (kopalnice, vlažne mobilne hišice).
8. Občasno preverite stanje napajalnega kabla. Če je napajalni kabel poškodovan, ga zamenjajte s specializirano servisno delavnico, da se izognete nevarnosti.
9. Naprave ne uporabljajte s poškodovanim napajalnim kablom ali če je padel ali poškodovan na kakršen koli drug način ali če ne deluje pravilno. Naprave ne popravljajte sami, saj obstaja nevarnost električnega udara. Poškodovano napravo odnesite v ustrezen servisni center, da preverite ali popravite. Vsa popravila smejo izvajati samo pooblaščenji serviserji. Nepravilno opravljena popravila lahko za uporabnika resno ogrozijo.
10. Napravo postavite na hladno in stabilno površino, stran od vročih kuhinjskih aparatov, kot so: električni štedilnik, plinski gorilnik itd...
11. Prepričajte se, da nič ne blokira dovoda in izstopa zraka v napravi
12. Napravo uporabljajte samo na ravni površini, da preprečite razlitje kondenzata
13. Za dodatno zaščito je priporočljivo v električni tokokrog vgraditi napravo za preostali tok (RCD) z nazivno preostalo vrednostjo, ki ne presega 30 mA. Za to vprašajte električarja.

14. Zračni filter redno čistite. Pogostost čiščenja je odvisna od čistoče zraka.
15. Po izklopu stroja počakajte vsaj 5 minut, preden ga ponovno vklopite.
16. Za učinkovito razvlaževanje je treba med stranskimi stenami naprav in stisnjenim pohištvom ali zavesami uporabiti najmanj 20 cm reže.
17. Sušilnika ne razpršite, da preprečite nevarnost požara ali eksplozije
18. Za uporabo delov ohišja ne odlagajte vlažilcev v bližini grelnih naprav.
19. Odstranite vodo, zbrano v rezervoarju. Nenamerno pitje vode ali uporaba z drugimi ljudmi lahko povzroči bolezen.
20. Ne podpira naprav z odstranjenim zadnjim pokrovom zaradi premikajočih in vročih delov.
21. Za odtajevanje ali obratovanje ne uporabljajte drugih sredstev, razen tistih, ki jih priporoča proizvajalec.
22. Naprava mora biti na voljo kot del stalnega seznama virov vžiga, tj. Brez odprtega plamena, brez delujoče plinske naprave ali brez delujočega grelnika naprave.
23. Ne prebijajte in ne kadite.
24. Upoštevajte, da proizvajalci hladilnikov morda ne vsebujejo dišav.

Pred prvo uporabo:

1. Razvlaževalnik zraka je treba uporabljati na ravni in stabilni površini, vzdrževati razdalje med enoto in drugimi predmeti v skladu s sliko 1, da zagotovite primerno učinkovitost. Zaprite vsa okna in vrata sobe, ki jo želite razvlažiti.
2. Za preprečitev zmrzovanja vode ne uporabljajte razvlaževalnika in odtočne cevi pri sobni temperaturi pod 0 ° C
3. Ne uporabljajte vlažilnika zunaj. Izpostavljenost neposredni sončni svetlobi ali dežju lahko povzroči pregrevanje, električni udar in požar.
4. Ne postavljajte rezervoarja za vodo na razvlaževalnik, da ne bi prišlo do razlitja vode v enoto znotraj in poslabša izolacijo.
5. Nikoli ne poskušajte uporabljati razvlaževalnika zraka za posebne namene, kot je razvlaževanje hrane ali ohranjanje umetniških predmetov ali podobno.
6. Ne uporabljajte razvlaževalnika zraka, kjer lahko pride do uhajanja olja ali vnetljivega plina. Ne uporabljajte enote na mestih, ki so izpostavljene kemikalijam.
7. Za stalno izpraznitev poskrbite, da je odtočna cev pravilno nastavljena z naklonom.
8. Pazite, da grelna naprava ne bo izpostavljena vetru iz razvlaževalnika.
9. Ne uporabljajte razvlaževalnika zraka kot stola ali stopala.
10. Ne odstranjujte ročice s plovcem iz rezervoarja za vodo.
11. Ne blokirajte dovodov in odprtín za dovod zraka.
12. Enote ne prekrivajte z opranimi oblačili.
13. Pred dolgotrajnim neprekinjenim delovanjem je potrebno občasno preverjanje filtra, čistega zraka, odtočne cevi ali podobnega.
14. Napravo je treba namestiti, upravljati in hraniti v prostoru, katerega tlorisna površina je večja od 4 kvadratnih metrov, in v prostoru za dobro prezračevanje.
15. Nikoli ne segajte s prsti, palicami in odprtino za izhod in vstop zraka.

Opis izdelka: AD7861 Razvlaževalec zraka (slika 2)

- | | | |
|----------------------------------|---|--------------------------|
| 1. Ročaj za enostavno prenašanje | 2. Odprtina za zrak | 3. Zadnje ohišje |
| 4. Nadzorna plošča | 5. Dovod zraka | 6. Sprednje ohišje |
| 7. Posoda za vodo 2,0 L | 8. Napajalni kabel | 9. Noga |
| 10. Odtočna cev | 11. Plavajoči umivalnik | 12. Mrežni zračni filter |
| 13. Rešetka filtra | 14. Neprekinjena odprtina za odtok vode | |

Nadzorna plošča

- | | |
|---------------------------------------|--|
| A. Gumb za vklop | B. Gumb za zeleno zmanjšanje vlažnosti |
| C. Gumb za zeleno povečanje vlažnosti | D. Gumb Timer 0-24 ur |
| E. Indikator časovnika | F. Indikator samoodmrzovanja |
| G. Indikator aktivnosti kompresorja | H. Indikator polne posode za vodo |
| J. Digitalni indikator "88". | |

Digitalni indikator "88" (J) bo pokazal:

- izbrana zelena stopnja vlažnosti v območju: 30-90 odstotkov relativne vlažnosti (RH)
- ure v območju: 1-24, ko programirate zamik vklopa ali zamik zaustavitve

- "LO" – pomeni nizko, ko je vlažnost okolja nižja od 35 %
- "HI" - pomeni visoko, ko je vlažnost okolja višja od 95%,

UPORABA

1. Priključite napravo.
2. Pritisnite gumb za vklop (A), da začnete delovati, digitalni indikator "88" (J) bo zasvetil. Ponovno pritisnite gumb za vklop (A), da zaustavite delovanje.
3. Pritisnite spodnji gumb (C) ali (D), da nastavite želeno raven vlažnosti v prostoru, ki jo lahko nastavite od 30 % do 90 % v 5 % intervalih ali "CO".

Po obdobju dela:

- ko je vlažnost okolja nižja od izbrane vlažnosti za 2%, se kompresor ustavi,
- ko je vlažnost okolja enaka ali višja od izbrane vlažnosti za 3 %, se bo kompresor znova zagnal enkrat po 3-minutnem zaščitnem času kompresorja.

4. FUNKCIJA ČASOVNIKA

Pritisnite gumb časovnika (D) in nastavite čas:

- ko je naprava vklopljena za nastavev funkcije zakasnjene zaustavitve:

Z večkratnim pritiskom gumba časovnika (D) prilagodite želeni čas, ta bo krožil od 0-1-2.....23-24. Indikator časa (E) bo zasvetil. Naprava bo prenehala delovati, ko mine želeni čas.

- ko je naprava izklopljena za nastavev funkcije zakasnjene vstopa:

Z večkratnim pritiskom gumba časovnika (D) prilagodite želeni čas, ta bo krožil od 0-1-2.....23-24. Indikator časa (E) bo zasvetil. Naprava bo začela delovati, ko mine želeni čas.

Za preklic programiranja časovnika pritisnite gumb časovnika (D) na ničlo.

Programirani čas ostane nespremenjen, če stroj preneha delovati zaradi polnega zbiralnika vode ali med. samoodtaljevanjem.

5. DRENAŽA POSODBE ZA VODO

Ko je rezervoar za vodo (7) poln, indikator (H) zasveti, delovanje se samodejno ustavi in brenčalo bo 15-krat zapiskalo, da uporabnika opozori, da je treba iz rezervoarja za vodo (7) izprazniti vodo. Poglejte slike 4 in 5. Postopek odvajanja vode je:

- Z obema rokama rahlo pritisnite na stranice rezervoarja (7) in nežno izvlcite rezervoar.

- Zbrano vodo izlijte. Če je rezervoar za vodo (7) umazan, ga operite s hladno ali mlačno vodo.

OPOMBA: Ne odstranjujte plavajočega umivalnika (11) iz rezervoarja za vodo (7). Vgrajeni senzor polne vode ne bo več mogel pravilno zaznati nivoja vode brez umivalnika s plovcem (11) in naprava bo prenehala delovati.

- Pri nameščanju rezervoarja za vodo (7) ga z obema rokama trdno pritisnite na mesto. Če rezervoar ni pravilno nameščen, vgrajen senzor za polno vodo ne bo aktiviran, zato razvlaževalec ne bo deloval.

6. FUNKCIJA STALNEGA ODVODANJA VODE

Ko na digitalnem zaslonu (J) nastavite raven vlažnosti na »CO«, bo kompresor deloval neprekinjeno. Uporabnik lahko:

6.a. priključite odtočno cev (10)

Če uporabnik priključi odtočno cev (10), bo voda neprekinjeno odtekala v umivalnik/kad ali drugo zunanjo posodo, ki jo boste postavili.

Naprava je opremljena z neprekinjenim priključkom za odtok vode (14) - pogledite sliko 3. Izvlcite rezervoar za vodo (7), da sestavite odtočno cev (10) na odprtino za neprekinjen odtok vode (14). Odtočno cev (10) (z notranjim premerom 10 mm) namestite na odtočno odprtino priključka (14), prikazano na sliki 3. Vodo lahko neprekinjeno odvajate iz priključka (14).

6.b. ne priključite odtočne cevi (10).

Če uporabnik ne priključi odtočne cevi (10), bo voda odtekla v rezervoar za vodo (7). Ko bo rezervoar za vodo (7) poln, bo naprava samodejno prenehala delovati.

7. FUNKCIJA SAMODEJNEGA ODTALJEVANJA

Ko se na vgrajeni tuljavi uparjalnika nabere led, se bo kompresor izklopil in naprava bo samodejno prešla v način samoodmrzovanja. Po končanem načinu odmrzovanja se naprava vrne na prejšnje nastavitve delovanja. Ko naprava deluje v prostoru s temperaturo med 5 stopinj Celzija in 12 stopinj Celzija, bo prešla v način samoodmrzovanja približno vsakih 30 minut. Ko naprava deluje v prostoru s temperaturo med 12 stopinj Celzija in 20 stopinj Celzija, bo prešla v način samoodmrzovanja približno vsakih 45 minut.

Čiščenje in vzdrževanje

1. Pred začetkom kakršnega koli čiščenja ali drugega rednega vzdrževanja izklopite enoto in izključite napajalni vtič.
2. Da bi se izognili nevarnosti električnega udara, med čiščenjem razvlaževalnika nikoli ne poškopite ali polijte z vodo.
3. Preden napravo premaknete, izklopite napravo in izpraznite vodo iz rezervoarja za vodo. Med premikanjem ga držite za ročaj.
4. Ohišje naprave obrišite z mokro krpo.
5. Ne razstavljajte plovcia (11) iz rezervoarja za vodo (7). Za čiščenje rezervoarja za vodo (7) ne uporabljajte detergenta, čistilnih gob, kemično obdelanih krp za prah, bencina, benzena, razredčila ali drugih topil, saj lahko opraskajo in poškodujejo rezervoar ter povzročijo puščanje vode.
6. Pred načrtovanim dolgotrajnim neprekinjenim obratovanjem je potrebno redno preverjanje predvsem mrežnega zračnega filtra (12) in odtočne cevi (10).

7. Filtre očistite ali zamenjajte:

- odklopite vtič in odstranite rezervoar za vodo (7),
 - odstranite rešetko (13), kot je prikazano na sliki 6,
 - nežno odstranite mrežasti zračni filter (12) z rešetke filtra (13),
 - vsaka dva tedna očistite filter s sesalnikom. S sesalnikom rahlo potegnite po površini zračnega filtra (12), da odstranite umazanijo. Če je zračni filter (12) izjemno umazan, ga sperite s toplo vodo in blagim čistilom ter temeljito osušite. Učinkovitost razvlaževanja se lahko zmanjša, če je filter zamašen z umazanijo.
 - vstavite filter v rešetko filtra in jih sestavite nazaj v ohišje naprave.
- ## 8. Naprave ne čistite z bencinom, razredčilom ali tekočim detergentom.
- ## 9. Shranjevanje:
- če naprave dlje časa ne boste uporabljali in jo želite shraniti, upoštevajte naslednje korake:
- Izpraznite vodo, ki je ostala v rezervoarju za vodo.
 - Zložite napajalni kabel (8) in ga vstavite v rezervoar za vodo (7).
 - Očistite mrežasti zračni filter (12).
 - Skladiščenje v hladnem in suhem prostoru.

ODPRAVLJANJE TEŽAV

Če pride do spodaj navedenega stanja, preverite naslednje elemente, preden pokličete službo za stranke.

Težava 1: Naprava ne deluje.

Možen razlog 1: Ali je bil napajalni kabel izklopljen?

Rešitev težave: Priključite napajalni kabel v vtičnico.

Možen razlog 2: Ali indikator polne posode za vodo (H) utripa?

Rešitev težave: Rezervoar je poln ali v napačnem položaju. Izpraznite rezervoar za vodo (7) in nato ponovno namestite rezervoar.

Možen razlog 3: Ali je temperatura prostora nad 35 stopinj Celzija ali pod 5 stopinj Celzija?

Rešitev težave: Vgrajena zaščitna naprava se aktivira in razvlaževalnika ni mogoče zagnati pri temperaturi prostora nad 35 stopinj Celzija ali pod 5 stopinj Celzija.

Težava 2: Funkcija razvlaževanja ne deluje

Možen razlog 1: Ali je mrežasti zračni filter (12) zamašen?

Rešitev težave 1: Očistite zračni filter po navodilih pod "Čiščenje in vzdrževanje" – točka 7.

Možen razlog 2: Ali je dovod zraka (5) ali odvod zraka (2) oviran?

Rešitev težave: Odstranite oviro.

Težava 3: Zrak se ne izpušča.

Možen razlog 1: Ali je mrežasti zračni filter (12) zamašen?

Rešitev težave: Očistite zračni filter po navodilih pod "Čiščenje in vzdrževanje" - točka 7.

Težava 4: Delovanje je hrupno

Možen razlog 1: Ali je naprava nagnjena ali v nestabilnem položaju?

Rešitev težave: Napravo premaknite na stabilno, ravno in trdno površino.

Možen razlog 2: Ali je mrežasti zračni filter (12) zamašen?

Rešitev težave: Očistite zračni filter po navodilih pod "Čiščenje in vzdrževanje" - točka 7.

Problem 5: Koda E1, prikazana na digitalnem indikatorju (J)

Možen razlog 1: Kratek stik senzorja tuljave ali odprt tokokrog

Rešitev težave: Obrnite se na prodajalca, ki vam je izstavil račun.

TEHNIČNI DATUM:

Zmogljivost razvlaževanja pri 30 °C / 80 % RH): 10 litrov / 24 ur

Raven hrupa: <= 42dB(A)

Prostornina rezervoarja za vodo: 2,0 litra

Pretok zraka: 150m3/uro

Teža hladilne tekočine R290: 45 gramov

Nazivna vhodna moč: 280 W

Napajanje: 220-240V ~50Hz



Pozor, nevarnost požara.

NE preklanjajte ali sežigajte.

Zavedajte se, da hladilno sredstvo morda nima vonja.

Napravo je treba namestiti, upravljati in hraniti v prostoru, katerega tlorisna površina je večja od 4 m.².

Največja količina polnjenja hladilnega sredstva: 45 g.



Starostlivost^o o životne proredie. Kartónový obal odovzdajte do zberných surovin. Polyetylénové vrecká (PE) vyhodte do kontajnera na plast.

Opotrebný spotrebič odovzdajte na príslušný zberný dvor, nebezpečné látky spotrebiča môžu predstavovať riziko pre životné prostredie.

Elektrosprebič odstráňte tak, aby nedochádzalo j jeho ďalšiemu použitiu. Ak sa v spotrebiči nachádzajú batérie, vyberte ich a odovzdajte ich na zberné miesto osobitne. Spotrebič nevyhadzujte do kontajnera na komunálny odpad!

OBEČNÉ BEZPEČNOSTNÍ PODMÍNKY

DŮLEŽITÉ BEZPEČNOSTNÍ POKYNY PŘEČTĚTE SI opatrně a uložte je pro budoucnost

1. Před použitím zařízení si přečtěte návod k obsluze a postupujte podle pokynů v něm obsažených. Výrobce neodpovídá za škody způsobené používáním zařízení v rozporu s jeho určeným účelem nebo nesprávným provozem.
2. Zařízení je určeno pouze pro domácí použití. Nepoužívejte k jiným účelům, než k zamýšlenému účelu.
3. Zařízení by mělo být připojeno pouze k síťové zásuvce s uzemněným 220 240V ~50Hz. Pro zvýšení provozní bezpečnosti by nemělo být současně připojeno více elektrických zařízení na jeden proudový obvod.
4. Při používání zařízení v blízkosti dětí buďte velmi opatrní. Nedovolte dětem, aby si se zařízením hrály, nedovolte dětem nebo osobám neznámým se zařízením, aby jej používaly.
5. **VAROVÁNÍ:** Toto zařízení mohou používat děti starší 8 let a lidé s omezenými fyzickými, smyslovými nebo mentálními schopnostmi nebo lidé, kteří nemají žádné zkušenosti nebo znalosti o vybavení, pokud se tak děje pod dohledem odpovědné osoby. z důvodu jejich bezpečnosti nebo jim byly poskytnuty informace o bezpečném používání zařízení a jsou si vědomy nebezpečí jeho používání. Děti by si s tímto zařízením neměly hrát. Čištění a údržbu zařízení by neměly provádět děti, pokud nejsou starší 8 let a tyto činnosti jsou prováděny pod dohledem.
6. Po použití vždy odpojte napájecí zástrčku tak, že budete držet zásuvku rukou. **NEDOTÝKEJTE** se napájecího kabelu.
7. Kabel, zástrčku a celé zařízení neponořujte do vody ani jiné kapaliny. Nevystavujte zařízení povětrnostním vlivům (déšť, slunce atd.) Ani je nepoužívejte v podmínkách vysoké vlhkosti (koupelny, vlhké mobilní domy).
8. Pravidelně kontrolujte stav napájecího kabelu. Pokud je napájecí kabel poškozen, měl by být vyměněn v odborném servisu, aby nedošlo k nebezpečí.
9. Nepoužívejte spotřebič s poškozeným napájecím kabelem nebo pokud spadl nebo je poškozen jiným způsobem nebo pokud nefunguje správně. Neopravujte zařízení sami, mohlo by dojít k úrazu elektrickým proudem. Poškozené zařízení odnešte do příslušného servisního střediska ke kontrole nebo opravě. Veškeré opravy smí provádět pouze autorizovaný servis. Nesprávně provedené opravy mohou pro uživatele představovat vážné nebezpečí.
10. Umístěte zařízení na chladný, stabilní povrch, mimo horké kuchyňské spotřebiče, jako jsou: elektrický sporák, plynový hořák atd.
11. Ujistěte se, že nic neblokuje přívod a odvod vzduchu ze zařízení
12. Používejte zařízení pouze na rovném povrchu, aby se zabránilo úniku kondenzátu
13. Pro zajištění dodatečné ochrany je vhodné do elektrického obvodu nainstalovat zařízení na proudový chránič (RCD) s jmenovitým zbytkovým proudem nepřesahujícím 30 mA. Požádejte o to elektrikáře.
14. Pravidelně čistěte vzduchový filtr. Četnost čištění závisí na čistotě vzduchu.
15. Po vypnutí zařízení vyčkejte alespoň 5 minut, než jej znovu zapnete.
16. Za účinnovito razvlaževanje je treba med stranskimi stenami naprav in stisnjenim

pohištvom ali zavesami uporabiti najmanj 20 cm reže.

17. Sušilnika ne razpršite, da preprečite nevarnost požara ali eksplozije

18. Za uporabo delov ohišja ne odlagajte vlažilcev v bližini grelnih naprav.

19. Odstranite vodo, zbrano v rezervoarju. Nenamerno pitje vode ali uporaba z drugimi ljudmi lahko povzroči bolezen.

20. Ne podpira naprav z odstranjenim zadnjim pokrovom zaradi premikajočih in vročih delov.

21. Za odtajevanje ali obratovanje ne uporabljajte drugih sredstev, razen tistih, ki jih priporoča proizvajalec.

22. Naprava mora biti na voljo kot del stalnega seznama virov vžiga, tj brez odprtega plamena, brez delujoče plinske naprave ali brez delujočega grelnika naprave.

23. Ne prebijajte in ne kadite.

24. Upoštevajte, da proizvajalci hladilnikov morda ne vsebujejo dišav.

Pred prvo uporabo:

1. Razvlaževalnik zraka je treba uporabljati na ravni in stabilni površini, vzdrževati razdalje med enoto in drugimi predmeti v skladu s sliko 1, da zagotovite primerno učinkovitost. Zaprite vsa okna in vrata sobe, ki jo želite razvlažiti.
2. Za preprečitev zmrzovanja vode ne uporabljajte razvlaževalnika in odtočne cevi pri sobni temperaturi pod 0 ° C
3. Ne uporabljajte vlažilnika zunaj. Izpostavljenost neposredni sončni svetlobi ali dežju lahko povzroči pregrevanje, električni udar in požar.
4. Ne postavljajte rezervoarja za vodo na razvlaževalnik, da ne bi prišlo do razlitja vode v enoto znotraj in poslabša izolacijo.
5. Nikoli ne poskušajte uporabljati razvlaževalnika zraka za posebne namene, kot je razvlaževanje hrane ali ohranjanje umetniških predmetov ali podobno.
6. Ne uporabljajte razvlaževalnika zraka, kjer lahko pride do uhajanja olja ali vnetljivega plina. Ne uporabljajte enote na mestih, ki so izpostavljene kemikalijam.
7. Za stalno izpraznitev poskrbite, da je odtočna cev pravilno nastavljena z naklonom.
8. Pazite, da grelna naprava ne bo izpostavljena vetru iz razvlaževalnika.
9. Ne uporabljajte razvlaževalnika zraka kot stola ali stopala.
10. Ne odstranjujte ročice s plovcem iz rezervoarja za vodo.
11. Ne blokirajte dovodov in odprtih za dovod zraka.
12. Enote ne prekrivajte z opranimi oblačili.
13. Pred dolgotrajnim neprekinjenim delovanjem je potrebno občasno preverjanje filtra, čistega zraka, odtočne cevi ali podobnega.
14. Zařizeni se instaluje, obsluhuje a skladuje v mĩstnosti s podlahovou plochou vĩtřĩ neř 4 m2 a v mĩstnosti s dobře vĩtrĩnĩm prostorem.
15. Nikdy nestrkejte prsty, tyče, do vĩstupu a vstupu vzduchu.

Popis produktu: Odvlhčovač vzduchu AD7861 (obrázek 2)

- | | | |
|---------------------------------|-----------------------------------|----------------------------|
| 1. Rukojeť pro snadné přenášení | 2. Výstup vzduchu | 3. Zadní kryt |
| 4. Ovládací panel | 5. Vstup vzduchu | 6. Přední kryt |
| 7. Nádrž na vodu 2,0L | 8. Napájecí kabel | 9. Noha |
| 10. Vypouštěcí hadice | 11. Plovákový lavor | 12. Síťový vzduchový filtr |
| 13. Filtrační mřížka | 14. Průchozí otvor pro odvod vody | |

kontrolní panel

- | | |
|---|---|
| A. Tlačítko napájení | B. Tlačítko snížení požadované vlhkosti |
| C. Tlačítko pro zvýšení požadované vlhkosti | D. Tlačítko časovače 0-24 hodin |
| E. Indikátor časovače | F. Indikátor samoodmrazování |
| G. Indikátor aktivity kompresoru | H. Indikátor plné nádrže na vodu |
| J. Digitální indikátor „88“. | |

Digitální indikátor „88“ (J) zobrazí:

- zvolená požadovaná úroveň vlhkosti v rozsahu: 30-90 procent relativní vlhkosti (RH)
- hodiny v rozsahu: 1-24, když naprogramujete odložený start nebo odložené zastavení
- „LO“ – znamená nízkou, když je vlhkost prostředí nižší než 35 %
- „HI“ - znamená vysokou, když je vlhkost prostředí vyšší než 95 %,

POUŽÍVÁNÍ

1. Zapojte zařizení.
2. Stisknutím tlačítka napájení (A) spusťte provoz, rozsvítí se digitální indikátor „88“ (J). Opětovným stisknutím tlačítka napájení (A) zastavíte provoz.

3. Stisknutím spodní tlačítka (C) nebo (D) nastavte požadovanou úroveň vlhkosti v místnosti, kterou lze nastavit od 30 % do 90 % v 5% intervalech nebo „CO“.

Po určité době práce:

- když je vlhkost prostředí nižší než nastavená vlhkost o 2 %, kompresor se zastaví,
- když je vlhkost prostředí rovna nebo vyšší než zvolená vlhkost o 3 %, kompresor se restartuje po uplynutí 3minutové doby ochrany kompresoru.

4. FUNKCE ČASOVAČE

Stisknutím tlačítka časovače (D) se naprogramuje čas:

- když je zařízení zapnuto pro nastavení funkce odloženého zastavení:

Opakovaným stisknutím tlačítka časovače (D) nastavte požadovaný čas, bude cirkulovat od 0-1-2.....23-24. Indikátor času (E) se rozsvítí.

Zařízení zastaví provoz, jakmile uplyne požadovaný čas.

- když je zařízení vypnuto pro nastavení funkce odloženého startu:

Opakovaným stisknutím tlačítka časovače (D) nastavte požadovaný čas, bude cirkulovat od 0-1-2.....23-24. Indikátor času (E) se rozsvítí.

Zařízení se spustí, jakmile uplyne požadovaný čas.

Chcete-li zrušit programování časovače, stiskněte tlačítko časovače (D) na ulu.

Naprogramovaný čas zůstane nezměněn, pokud pračka přestane pracovat kvůli plné nádrži na vodu nebo během samoodmrazování.

5. VYPOUŠTĚNÍ VODNÍ NÁDRŽE

Když je nádržka na vodu (7) plná, rozsvítí se indikátor (H), provoz se automaticky zastaví a bzučák 15krát pipne, aby upozornil uživatele, že je třeba vypustit vodu z nádržky na vodu (7). Podívejte se na obrázky 4 a 5. Postup odvádění vody je:

- Oběma rukama lehce zatlačte na boky nádrže (7) a nádrž jemně vytáhněte.

- Nashromážděnou vodu vylijte. Pokud je nádržka na vodu (7) špinavá, umyjte ji studenou nebo vlažnou vodou.

POZNÁMKA: Neodstraňujte plovákový lavor (11) z vodní nádrže (7). Vestavěný senzor plné vody již bez plovákového lavoru (11) nebude schopen správně detekovat hladinu vody a zařízení přestane fungovat.

- Při vkládání zpět nádržku na vodu (7) pevně zatlačte oběma rukama na její místo. Pokud není nádrž správně umístěna, vestavěný senzor plné vody se neaktivuje, takže odvlhčovač nebude fungovat.

6. FUNKCE KONTINUÁLNÍHO ODVODU VODY

Při nastavení úrovně vlhkosti na „CO“ na digitálním displeji (J), kompresor poběží nepřetržitě. Uživatel může:

6.a. připojit vypouštěcí hadici (10)

Pokud uživatel připojí vypouštěcí hadici (10), voda bude nepřetržitě odtékat do umyvadla / vany nebo jiné venkovní nádoby, kterou nastavíte. Zařízení je vybaveno průběžným otvorem pro vypouštění vody (14) – podívejte se na obrázek 3. Chcete-li namontovat vypouštěcí hadici (10) do otvoru průběžného odtoku vody (14), je třeba vyjmout nádrž na vodu (7). Vypouštěcí hadici (10) (s vnitřním průměrem 10 mm) nasadte na vypouštěcí otvor portu (14) znázorněný na obrázku 3. Voda může být nepřetržitě vypouštěna z portu (14).

6.b. nepřipojíte vypouštěcí hadici (10).

Pokud uživatel nepřipojí vypouštěcí hadici (10), voda vyteče do vodní nádrže (7). Když je nádrž na vodu (7) plná, zařízení automaticky zastaví provoz.

7. FUNKCE AUTOMATICKÉHO ROZMRAZOVÁNÍ

Když se na vestavěné spirále výparníku vytvoří námraza, kompresor se vypne a zařízení automaticky přejde do režimu samoodmrazování.

Po dokončení režimu odmrazování se zařízení vrátí k předchozímu provoznímu nastavení. Když zařízení běží v místnosti s teplotou mezi 5 stupni Celsia a 12 stupni Celsia, přejde do režimu samoodmrazování zhruba každých 30 minut. Když zařízení běží v místnosti s teplotou mezi 12 stupni Celsia a 20 stupni Celsia, přejde do režimu samoodmrazování zhruba každých 45 minut.

Čištění a údržba

1. Před zahájením jakéhokoli čištění nebo jiné běžné údržby vypněte jednotku a odpojte síťovou zástrčku.

2. Abyste předešli riziku úrazu elektrickým proudem, nikdy při čištění odvlhčovač nekropte ani nelijte na něj vodu.

3. Před přemístěním zařízení vypněte a vypusťte vodu z nádržky na vodu. Při pohybu se držte za rukojeť.

4. Otřete kryt zařízení vlhkým hadříkem.

5. Nedemontujte plovák (11) z vodní nádrže (7). K čištění nádržky na vodu (7) nepoužívejte saponáty, drátěnky, chemicky ošetřené hadříky

na prach, benzin, benzen, ředidlo ani jiná rozpouštědla, protože mohou poškrábat a poškodit nádrž a způsobit únik vody.

6. Před plánovaným nepřetržitým provozem po dlouhou dobu je nutná pravidelná kontrola, zejména u síťového vzduchového filtru (12) a vypouštěcí hadice (10).

7. Čištění nebo výměna filtrů by měla být:

- odpojte zástrčku a vyjměte nádržku na vodu (7),

- vyjměte mřížku (13), jak je znázorněno na obrázku 6,

- jemně vyjměte síťový vzduchový filtr (12) z mřížky filtru (13),

- vyčistěte filtr každé dva týdny vysavačem. Jemně přejedte vysavačem po povrchu vzduchového filtru (12), abyste odstranili nečistoty.

Pokud je vzduchový filtr (12) mimořádně znečištěný, umyjte jej teplou vodou a jemným čisticím prostředkem a důkladně osušte. Výkon odvlhčování se může snížit, když je filtr ucpaný nečistotami.

- vložte filtr do mřížky filtru a namontujte jej zpět do pouzdra přístroje.

8. Nečistěte zařízení benzinem, ředidlem nebo tekutým čisticím prostředkem.

9. Skladování: pokud se zařízení delší dobu nepoužívá a chcete jej uložit, vezměte v úvahu následující kroky:

- Vyprázdněte zbývající vodu v nádržce na vodu.
- Složte napájecí kabel (8) a vložte jej do nádržky na vodu (7).
- Vyčistěte síťový vzduchový filtr (12).
- Skladování na chladném a suchém místě.

ODSTRAŇOVÁNÍ PROBLÉMŮ

Pokud dojde k níže uvedenému stavu, zkontrolujte prosím následující položky, než zavoláte zákaznický servis.

Problém 1: Zařízení nefunguje.

Možný důvod 1: Byl odpojen napájecí kabel?

Řešení problému: Zapojte napájecí kabel do zásuvky.

Možný důvod 2: Bliká indikátor plné nádrže na vodu (H)?

Řešení problému: Nádrž je plná nebo ve špatné poloze. Vyprázdněte nádržku na vodu (7) a poté nádržku znovu umístěte.

Možný důvod 3: Je teplota v místnosti vyšší než 35 stupňů Celsia nebo nižší než 5 stupňů Celsia?

Řešení problému: Vestavěné ochranné zařízení je aktivováno a odvlhčovač nelze spustit při teplotě místnosti nad 35 stupňů Celsia nebo pod 5 stupňů Celsia.

Problém 2: Funkce odvlhčování nefunguje

Možná příčina 1: Není ucpaný vzduchový filtr (12)?

Řešení problému 1: Vyčistěte vzduchový filtr podle pokynů v části „Čištění a údržba“ – bod 7.

Možná příčina 2: Není ucpaný vstup vzduchu (5) nebo výstup vzduchu (2)?

Řešení problému: Odstraňte překážku.

Problém 3: Nevychází žádný vzduch.

Možná příčina 1: Není ucpaný vzduchový filtr (12)?

Řešení problému: Vyčistěte vzduchový filtr podle pokynů v části „Čištění a údržba“ - bod 7.

Problém 4: Provoz je hlučný

Možný důvod 1: Je zařízení nakloněno nebo nestabilní?

Řešení problému: Přemístěte zařízení na stabilní, rovný a pevný povrch.

Možná příčina 2: Není ucpaný vzduchový filtr (12)?

Řešení problému: Vyčistěte vzduchový filtr podle pokynů v části „Čištění a údržba“ - bod 7.

Problém 5: Kód E1 zobrazený na digitálním indikátoru (J)

Možný důvod 1: Zkrat snímače cívky nebo přerušovaný obvod

Řešení problému: Kontaktujte prodejce, který vám vystavil nákupní účet.

TECHNICKÉ DATUM:

Kapacita odvlhčování při 30 °C / 80% RH): 10 litrů / 24 hodin

Hladina hluku: <= 42 dB(A)

Objem nádržky na vodu: 2,0 litru

Průtok vzduchu: 150 m3/hod

Hmotnost chladicí kapaliny R290: 45 gramů

Jmenovitý příkon: 280W

Napájení: 220-240V ~50Hz



Pozor, nebezpečí požáru.

Nepropichujte ani nespalujte.

Uvědomte si, že chladivo nemusí obsahovat zápach.

Zařízení musí být instalováno, provozováno a skladováno v místnosti s podlahovou plochou větší než 4 m.².



Staráme se o životní prostředí. Papírové obaly odevzdávejte do sběrných surovin. Polyetylenová balení (PE) vhadzujte do odpadkových košů na plasty. Použité zařízení odevzdávejte do sběrného dvoru, protože se v něm mohou nacházet části, které jsou pro životní prostředí škodlivé nebo nebezpečné. Elektrospotřebiče odevzdávejte v takové podobě, aby bylo nemožné jejich další použití. Pokud se v zařízení nacházejí baterie, vyjměte je a odevzdejte zvlášť.

DANSKI

GENERELLE SIKKERHEDSBETINGELSER

VIGTIGE SIKKERHEDSINSTRUKTIONER LÆS PERSONLIG OG SPAR FOR FREMTID

1. Før du bruger enheden, skal du læse betjeningsvejledningen og følge instruktionerne i den. Producenten er ikke ansvarlig for skader forårsaget af brug af enheden i modsætning til dets tilsigtede formål eller forkert betjening.
2. Enheden er kun til hjemmebrug. Brug ikke til andre formål, der ikke er beregnet til dets

tilsigtede formål.

3. Enheden skal kun tilsluttes en stikkontakt med et jordet 220 240V ~ 50Hz. For at øge driftssikkerheden skal flere elektriske enheder ikke tilsluttes et strømkredsløb på samme tid.
4. Vær meget forsigtig, når du bruger enheden, når børn er i nærheden. Lad ikke børn lege med enheden, lad ikke børn eller personer, der ikke kender enheden, bruge den.
5. ADVARSEL: Dette udstyr kan bruges af børn over 8 år og personer med begrænset fysisk, sensorisk eller mental evne, eller personer, der ikke har erfaring eller viden om udstyret, hvis dette sker under opsyn af en ansvarlig person for deres sikkerhed eller har fået dem oplysninger om sikker brug af enheden og er opmærksomme på farerne ved at bruge det. Børn bør ikke lege med udstyret. Rengøring og vedligeholdelse af enheden bør ikke udføres af børn, medmindre de er over 8 år gamle, og disse aktiviteter udføres under opsyn.
6. Frakobl altid strømstikket ved at holde stikket med hånden efter brug. Træk IKKE i netledningen.
7. Sænk ikke kablet, stikket og hele enheden i vand eller anden væske. Udsæt ikke enheden for atmosfæriske forhold (regn, sol osv.) Eller brug under forhold med høj luftfugtighed (badeværelser, fugtige mobilhomes).
8. Kontroller periodisk strømkablets tilstand. Hvis strømkablet er beskadiget, skal det udskiftes af et specialværksted for at undgå fare.
9. Brug ikke apparatet med et beskadiget strømkabel, eller hvis det er faldet eller beskadiget på anden måde, eller hvis det ikke fungerer korrekt. Reparer ikke enheden selv, da der er risiko for elektrisk stød. Tag den beskadigede enhed til et passende servicecenter for kontrol eller reparation. Alle reparationer må kun udføres af autoriserede servicepunkter. Forkert udførte reparationer kan medføre alvorlig fare for brugeren.
10. Placer enheden på en kølig, stabil overflade væk fra varme køkkenapparater som: elektrisk komfur, gasbrænder osv.
11. Sørg for, at intet blokerer enhedens luftindtag og udløb
12. Brug kun enheden på en plan overflade for at forhindre, at kondensen spilder ud
13. For at yde yderligere beskyttelse tilrådes det at installere en reststrømsenhed (RCD) i det elektriske kredsløb med en nominel reststrøm på ikke over 30 mA. Spørg en elektriker til dette.
14. Rengør luffilteret regelmæssigt. Rengøringshyppigheden afhænger af luftens renhed.
15. Efter at have slukket for maskinen, skal du vente mindst 5 minutter, før du tænder den igen.
16. For effektiv affugtning skal der bruges et mellemrum på mindst 20 cm mellem apparatets sidevægge og de komprimerede møbler eller gardiner.
17. Sprøjt ikke tørretumbleren for at undgå risikoen for brand eller eksplosion
18. Anbring ikke affugteren i nærheden af varmenheder for at bruge husdelene.
19. Fjern det opsamlede vand i tanken. Uheld ved at drikke vand eller bruge det sammen med andre mennesker kan forårsage sygdom.
20. Understøtter ikke enheder med bagcoveret fjernet på grund af bevægelige og varme dele.
21. Brug ikke andre midler til at udføre optønings- eller driftsprocessen bortset fra dem, der

er anbefalet af producenten.

22. Enheden skal være tilgængelig som en del af en permanent liste over antændelseskilder, dvs. uden åben ild, uden en arbejdsgasanordning eller uden en arbejdsenhedsvarmer.

23. Må ikke gennembore eller ryge.

24. Bemærk, at køleproducenter muligvis ikke indeholder duft.

Før første brug:

1. Affugteren skal bruges på en jævn og stabil overflade, hold afstand mellem enhed og andre genstande i henhold til billede 1 for at sikre passende effektivitet. Luk alle vinduer og døre i det rum, du vil affugte luften.
2. Brug ikke affugter og dræningsslange ved omgivelsestemperatur under 0 ° C for at forhindre, at vandet fryser.
3. Brug ikke affugter udenfor. Udsættelse for direkte sollys eller regn kan resultere i overophedning, elektrisk stød og brand.
4. Læg ikke vandbeholderen på affugteren for at undgå spild af vand ind i enheden inde og forringe isoleringen.
5. Forsøg aldrig at bruge affugteren til speciel anvendelse, såsom affugning til fødevarer eller konservering af kunstgenstande eller lignende.
6. Brug ikke affugter, hvor der kan finde lækage af olie eller brandfarlig gas. Brug ikke enheden på steder, der er udsat for kemikalier.
7. For kontinuerlig dræning skal du sørge for, at dræningsslangen er indstillet korrekt med. hældning.
8. Vær forsigtig, så et varmeapparat ikke udsættes for vinden fra affugteren.
9. Brug ikke affugteren som en stol eller en fodskammel.
10. Fjern ikke svævehåndtaget fra vandbeholderen.
11. Bloker ikke luftindtag og luftudtag.
12. Dæk ikke enheden med vasketøj.
13. Før kontinuerlig drift i lang varighed kræves periodisk kontrol specielt for luftrensfilteret, dræningsslangen eller lignende.
14. Apparatet skal installeres, betjenes og opbevares i et rum med et gulvareal større end 4 kvadratmeter og i et rum med et godt ventileret område.
15. Stik aldrig dine fingre, stænger ind i luftudtaget og -indtaget.

Produktbeskrivelse: AD7861 Luftaffugter (billede 2)

1. Håndtag til nem transport
2. Luftudtag
3. Baghus
4. Kontrolpanel
5. Luftindtag
6. Fronthus
7. Vandtank 2,0L
8. Strømløsning
9. Fod
10. Afløbsslange
11. Flydebeholder
12. Netluftfilter
13. Filtergitter
14. Kontinuerlig vandafløbsport

kontrolpanel

- A. Tænd/sluk-knap B. Ønsket fugtighedsreduktionsknap
C. Knap til Ønsket luftfugtighedsforøgelse D. Knap til timer 0-24 timer
E. Timerindikator F. Selvfrymningsskærm
G. Kompressoraktivitetsindikator H. Fuld vandtankindikator
J. Digital "88"-indikator

Den digitale "88"-indikator (J) viser:

- valgt ønsket fugtighedsniveau i området: 30-90 procent af relativ luftfugtighed (RH)
- timer i området: 1-24, når du programmerer forsinket start eller forsinket stop
- "LO" - betyder lav, når luftfugtigheden er lavere end 35 %
- "HI" - betyder høj, når luftfugtigheden er højere end 95 %,

BRUG

1. Tilslut enheden.
2. Tryk på tænd/sluk-knappen (A) for at starte driften, den digitale "88"-indikator (J) vil lyse. Tryk på tænd/sluk-knappen (A) igen for at stoppe driften.
3. Tryk på bunden (C) eller (D) for at indstille det ønskede luftfugtighedsniveau i rummet, som kan indstilles fra 30% til 90% med 5% intervaller eller "CO".

Efter en arbejdsperiode:

- når miljøets luftfugtighed er lavere end den valgte luftfugtighed med 2 %, stopper kompressoren,
- når miljøets luftfugtighed er lig med eller højere end den valgte luftfugtighed med 3 %, vil kompressoren genstarte efter 3 minutters kompressorbeskyttelsestid.

4. TIMERFUNKTION

Tryk på timer-knappen (D) er programmet tiden:

- når enheden er tændt for at konfigurere funktionen for forsinket stop:

Ved at trykke gentagne gange på timerknappen (D) justeres den ønskede tid, den vil cirkulere fra 0-1-2.....23-24. Tidsindikatoren (E) vil lyse. Enheden stopper driften, når den ønskede tid er gået.

- når enheden er slukket for at indstille funktionen for forsinket start:

Ved at trykke gentagne gange på timerknappen (D) justeres den ønskede tid, den vil cirkulere fra 0-1-2.....23-24. Tidsindikatoren (E) vil lyse. Enheden vil starte drift, når den ønskede tid er gået.

For at annullere timerprogrammeringen skal du trykke på timerknappen (D) til nul.

Den programmerede tid forbliver uændret, hvis maskinen stopper med at arbejde på grund af fuld vandtank eller under selvafrimring.

5. AFLEDNING AF VANDTANK

Når vandtanken (7) er fuld, lyser indikatoren (H), driften stopper automatisk, og summeren bipper 15 gange for at advare brugeren om, at vandet skal tømmes fra vandtanken (7). Se billeder 4 og 5. Vandafledningsproceduren er:

- Tryk let på siderne af tanken (7) med begge hænder og træk forsigtigt tanken ud.

- Hæld det opsamlede vand ud. Hvis vandbeholderen (7) er snavset, skal den vaskes med koldt eller lunkent vand.

BEMÆRK: Fjern ikke flydebeholderen (11) fra vandbeholderen (7). Den indbyggede fuldvandssensor vil ikke længere være i stand til at detektere vandstanden korrekt uden flydebeholderen (11), og enheden stopper driften.

- Når du sætter vandbeholderen (7) tilbage, skal du trykke beholderen fast på plads med begge hænder. Hvis tanken ikke er placeret korrekt, vil den indbyggede fuldvandssensor ikke blive aktiveret, så affugteren vil ikke fungere.

6. KONTINUERLIG VANDAFLEDNINGSFUNKTION

Når du indstiller fugtighedsniveauet til "CO" på digitalt display (J), vil kompressoren køre kontinuerligt. Brugeren kan:

6.a. tilslut afløbsslangen (10)

Hvis brugeren tilslutter afløbsslangen (10), vil vandet løbende løbe ud til vask/badekar eller anden udvendig beholder, du vil sætte op.

Enheden har en kontinuerlig vanddræningsport (14) - se billede 3. Det er nødvendigt at tage vandtanken (7) ud for at samle afløbsslangen (10) til den kontinuerlige vanddræningsport (14). Drænslangen (10) (med en indvendig diameter på 10 mm) skal sættes på porten (14) drænhullet vist på billede 3. Vandet kan løbende drænes ud af porten (14).

6.b. tilslut ikke afløbsslangen (10).

Hvis brugeren ikke tilslutter afløbsslangen (10), vil vandet løbe ud til vandtanken (7). Når vandbeholderen (7) er fuld, stopper apparatet automatisk.

7. AUTOMATISK AFRIMNINGSFUNKTION

Når der opbygges frost på den indbyggede fordamperbatteri, vil kompressoren slukke, og enheden går automatisk i selvafrimningstilstand.

Efter afslutning af afrimningstilstanden vil enheden vende tilbage til de tidligere driftsindstillinger. Når enheden kører i et rum med en temperatur mellem 5 grader Celsius og 12 grader Celsius, vil den gå i selvopvarmningstilstand cirka hvert 30. minut. Når enheden kører i et rum med en temperatur mellem 12 grader Celsius og 20 grader Celsius, vil den gå ind i selvafrimningstilstanden cirka hvert 45. minut.

Rengøring og vedligeholdelse

1. Sluk for enheden, og tag stikket ud af stikkontakten, før du starter rengøring eller anden rutinemæssig vedligeholdelse.

2. For at undgå risikoen for elektrisk stød må du aldrig drysse eller spilde vand på affugteren under rengøring.

3. Sluk for apparatet, og tøm vandet ud af vandbeholderen, før apparatet flyttes. Sørg for at holde i håndtaget, mens du bevæger dig.

4. Tør enhedens hus af med en våd klud.

5. Afmonter ikke flyderen (11) fra vandtanken (7). Brug ikke rengøringsmiddel, skuresvampe, kemisk behandlede støvklude, benzin, benzen, fortynder eller andre opløsningsmidler til rengøring af vandtanken (7), da disse kan ridse og beskadige tanken og forårsage vandlækage.

6. Forud for planlagt kontinuerlig drift i længere tid, er periodisk kontrol påkrævet, især af netluftfilteret (12) og afløbsslangen (10).

7. For at rengøre eller udskifte filtrene skal:

- tag stikket ud og tag vandbeholderen ud (7),

- fjern gitteret (13) som vist på billede 6,

- fjern forsigtigt netluftfilteret (12) fra filtergitteret (13),

- rengør filteret hver anden uge med en støvsuger. Kør en støvsuger let hen over overfladen af luftfilteret (12) for at fjerne snavs. Hvis luftfilteret (12) er usædvanligt snavset, skal det vaskes med varmt vand og et mildt rengøringsmiddel og tørres grundigt. Affugtningsydelsen kan falde, når filteret er tilstoppet med snavs.

- sæt filteret ind i filtergitteret og saml dem tilbage i apparatet.

8. Rengør ikke enheden med benzin, fortynder eller flydende rengøringsmiddel.

9. Opbevaring: Når enheden ikke bruges i længere tid, og du vil gemme den, skal du bemærke følgende trin:

- Tøm eventuelt vand tilbage i vandbeholderen.

- Fold strømforsyningsledningen (8) op og sæt den inde i vandbeholderen (7).

- Rengør netluftfilteret (12).

- Opbevaring på et køligt og tørt sted.

FEJLFINDING

Hvis en tilstand, der er angivet nedenfor, opstår, bedes du kontrollere følgende punkter, før du ringer til kundeservice.

Problem 1: Enheden fungerer ikke.

Mulig årsag 1: Er netledningen blevet taget ud?

Løsning på problemet: Sæt netledningen i stikkontakten.

Mulig årsag 2: Blinker indikatoren for fuld vandtank (H)?

Løsning på problemet: Tanken er fuld eller i en forkert position. Tøm vandbeholderen (7), og genplacer derefter beholderen.

Mulig årsag 3: Er temperaturen i rummet over 35 grader Celsius eller under 5 grader Celsius?

Løsning af problem: Indbygget beskyttelsesanordning er aktiveret, og affugteren kan ikke startes i rummets temperatur over 35 grader Celsius eller under 5 grader Celsius.

Problem 2: Affugtningfunktionen virker ikke

Mulig årsag 1: Er netluftfilteret (12) tilstoppet?

Løsning af problem 1: Rengør luftfilteret som anvist under "Rengøring og vedligeholdelse" – punkt 7.

Mulig årsag 2: Er luftindtaget (5) eller luftudtaget (2) blokeret?

Løsning af problemet: Fjern forhindringen.

Problem 3: Der udledes ingen luft.

Mulig årsag 1: Er netluftfilteret (12) tilstoppet?

Løsning af problemet: Rengør luftfilteret som anvist under "Rengøring og vedligeholdelse" - punkt 7.

Problem 4: Betjeningen er støjende

Mulig årsag 1: Er enheden vippet eller ustabilt placeret?

Løsning på problemet: Flyt enheden til en stabil, jævn, robust overflade.

Mulig årsag 2: Er netluftfilteret (12) tilstoppet?

Løsning af problemet: Rengør luftfilteret som anvist under "Rengøring og vedligeholdelse" - punkt 7.

Problem 5: E1-kode vist på den digitale indikator (J)

Mulig årsag 1: Spolesensor kortslutning eller åbent kredsløb

Løsning af problemet: Kontakt sælgeren, der har udstedt din købsbillet.

TEKNISK DATO:

Affugtningkapacitet ved 30°C / 80% RH): 10 liter / 24 timer

Støjniveau: <= 42dB(A)

Vandbeholderkapacitet: 2,0 liter

Luftmængde: 150m³/time

R290 kølevæske vægt: 45 gram

Nominel indgangseffekt: 280W

Strømforsyning: 220-240V ~50Hz



Forsigtig, risiko for brand.

Må IKKE gennembøres eller brændes.

Vær opmærksom på, at kølemidlet muligvis ikke lugter.

Apparatet skal installeres, betjenes og opbevares i et rum med et gulvareal større end 4 m.².

Den maksimale mængde kølemiddel: 45 g.



Af hensyn til miljøet ..

Venligst overfør papemballagen til affaldspapir. Hæld polyethylenposer (PE) i plastbeholderen. Slidt enhed skal returneres til det relevante punkt opbevaring, fordi det er farligt i enheden ingredienser kan udgøre en trussel for miljøet. Den elektriske enhed skal overleveres for at begrænse dets genanvendelse og brug. Hvis i enheden der er batterier, fjern dem og vendte tilbage til punktet opbevares separat.

ΕΛΛΑΔΑ

ΓΕΝΙΚΕΣ ΠΡΟΫΠΟΘΕΣΕΙΣ ΑΣΦΑΛΕΙΑΣ ΣΗΜΑΝΤΙΚΕΣ ΟΔΗΓΙΕΣ ΑΣΦΑΛΕΙΑΣ ΔΙΑΒΑΣΤΕ ΠΡΟΣΕΚΤΙΚΑ ΚΑΙ ΦΥΛΑΞΤΕ ΓΙΑ ΜΕΛΛΟΝ

1. Πριν χρησιμοποιήσετε τη συσκευή, διαβάστε το εγχειρίδιο λειτουργίας και ακολουθήστε τις οδηγίες που περιέχει. Ο κατασκευαστής δεν ευθύνεται για ζημιές που προκλήθηκαν από τη χρήση της συσκευής σε αντίθεση με τον προορισμό ή την ακατάλληλη λειτουργία.
2. Η συσκευή προορίζεται μόνο για οικιακή χρήση. Μην χρησιμοποιείτε για άλλους σκοπούς που δεν είναι για τον προορισμό τους.
3. Η συσκευή πρέπει να συνδέεται μόνο σε πρίζα εναλλασσόμενου ρεύματος με γειωμένο 220 240V ~ 50Hz. Για να αυξήσετε την ασφάλεια λειτουργίας, πολλές ηλεκτρικές συσκευές δεν πρέπει να συνδέονται ταυτόχρονα σε ένα κύκλωμα ρεύματος.

4. Να είστε ιδιαίτερα προσεκτικοί όταν χρησιμοποιείτε τη συσκευή όταν τα παιδιά βρίσκονται κοντά. Μην επιτρέπετε στα παιδιά να παίζουν με τη συσκευή, μην επιτρέπετε σε παιδιά ή άτομα που δεν είναι εξοικειωμένα με τη συσκευή να τα χρησιμοποιούν.
5. ΠΡΟΕΙΔΟΠΟΙΗΣΗ: Αυτός ο εξοπλισμός μπορεί να χρησιμοποιηθεί από παιδιά ηλικίας άνω των 8 ετών και άτομα με περιορισμένη σωματική, αισθητηριακή ή νοητική ικανότητα ή άτομα που δεν έχουν εμπειρία ή γνώση του εξοπλισμού, εάν αυτό γίνεται υπό την επίβλεψη υπεύθυνου προσώπου για την ασφάλειά τους ή έχουν λάβει πληροφορίες για την ασφαλή χρήση της συσκευής και γνωρίζουν τους κινδύνους από τη χρήση της. Τα παιδιά δεν πρέπει να παίζουν με τον εξοπλισμό. Ο καθαρισμός και η συντήρηση της συσκευής δεν πρέπει να εκτελούνται από παιδιά, εκτός αν είναι άνω των 8 ετών και οι δραστηριότητες αυτές εκτελούνται υπό επίβλεψη.
6. Πάντοτε αποσυνδέετε το φις από την πρίζα κρατώντας την υποδοχή με το χέρι σας μετά τη χρήση. ΜΗΝ τραβάτε το καλώδιο τροφοδοσίας.
7. Μη βυθίζετε το καλώδιο, το βύσμα και ολόκληρη τη συσκευή σε νερό ή άλλο υγρό. Μην εκθέτετε τη συσκευή σε ατμοσφαιρικές συνθήκες (βροχή, ήλιο, κ.λπ.) ή σε συνθήκες υψηλής υγρασίας (μπάνια, υγροί κινητοί οικισμοί).
8. Ελέγχετε περιοδικά την κατάσταση του καλωδίου τροφοδοσίας. Εάν το καλώδιο τροφοδοσίας είναι κατεστραμμένο, πρέπει να αντικατασταθεί από ειδικό κατάστημα επισκευής για να αποφευχθεί ο κίνδυνος.
9. Μην χρησιμοποιείτε τη συσκευή με φθαρμένο καλώδιο τροφοδοσίας ή εάν έχει πέσει ή έχει υποστεί ζημιά με οποιονδήποτε άλλο τρόπο ή εάν δεν λειτουργεί σωστά. Μην επισκευάζετε τη συσκευή σας μόνοι σας, καθώς υπάρχει κίνδυνος ηλεκτροπληξίας. Πάρτε την κατεστραμμένη συσκευή σε κατάλληλο κέντρο σέρβις για έλεγχο ή επισκευή. Όλες οι επισκευές πρέπει να εκτελούνται μόνο από εξουσιοδοτημένα σημεία εξυπηρέτησης. Οι εσφαλμένες επισκευές μπορούν να προκαλέσουν σοβαρό κίνδυνο για τον χρήστη.
10. Τοποθετήστε τη συσκευή σε δροσερή, σταθερή επιφάνεια, μακριά από θερμές συσκευές κουζίνας όπως: ηλεκτρική κουζίνα, καυστήρα αερίου κλπ.
11. Βεβαιωθείτε ότι τίποτα δεν εμποδίζει την είσοδο και την έξοδο αέρα της συσκευής
12. Χρησιμοποιείτε τη συσκευή μόνο σε επίπεδη επιφάνεια για να αποφύγετε τη διαρροή της συμπύκνωσης
13. Για την παροχή πρόσθετης προστασίας, συνιστάται η τοποθέτηση συσκευής υπολειπόμενου ρεύματος (RCD) στο ηλεκτρικό κύκλωμα με ονομαστικό υπολειπόμενο ρεύμα που δεν υπερβαίνει τα 30mA. Ρωτήστε έναν ηλεκτρολόγο για αυτό.
14. Καθαρίζετε τακτικά το φίλτρο αέρα. Η συχνότητα καθαρισμού εξαρτάται από την καθαριότητα του αέρα.
15. Αφού απενεργοποιήσετε τη συσκευή, περιμένετε τουλάχιστον 5 λεπτά πριν ενεργοποιήσετε ξανά.
16. Για αποτελεσματική αφύγρανση, πρέπει να χρησιμοποιείται διάκενο τουλάχιστον 20 cm μεταξύ των πλευρικών τοιχωμάτων των συσκευών και των συμπιεσμένων επίπλων ή κουρτινών.
17. Για να αποφύγετε τον κίνδυνο πυρκαγιάς ή έκρηξης, μην ψεκάσετε το στεγνωτήριο

18. Για να χρησιμοποιήσετε τα εξαρτήματα του περιβλήματος, μην τοποθετείτε τον αφυγραντήρα κοντά σε συσκευές θέρμανσης.
19. Αφαιρέστε το νερό που συλλέχθηκε στη δεξαμενή. Το πόσιμο νερό κατά λάθος ή η χρήση του με άλλα άτομα μπορεί να προκαλέσει ασθένεια.
20. Δεν υποστηρίζει συσκευές που έχουν αφαιρεθεί το πίσω κάλυμμα λόγω κινούμενων και ζεστών εξαρτημάτων.
21. Μην χρησιμοποιείτε άλλα μέσα για να πραγματοποιήσετε τη διαδικασία απόψυξης ή λειτουργίας εκτός από εκείνες που συνιστά ο κατασκευαστής.
22. Η συσκευή πρέπει να είναι διαθέσιμη ως μέρος μόνιμης λίστας πηγών ανάφλεξης, δηλαδή χωρίς ανοιχτή φλόγα, χωρίς συσκευή αερίου εργασίας ή χωρίς θερμαντήρα συσκευής εργασίας.
23. Μην τρυπάτε ή καπνίζετε.
24. Σημειώστε ότι οι κατασκευαστές ψυκτικών μπορεί να μην περιέχουν άρωμα.

Πριν από την πρώτη χρήση:

1. Ο αφυγραντήρας πρέπει να χρησιμοποιείται σε επίπεδη και σταθερή επιφάνεια, να διατηρεί τις αποστάσεις μεταξύ της μονάδας και άλλων αντικειμένων σύμφωνα με την εικόνα 1 για να εξασφαλιστεί η κατάλληλη απόδοση. Κλείστε όλα τα παράθυρα και τις πόρτες του δωματίου που θέλετε να αφυγρανθεί ο αέρας.
2. Για να αποφύγετε την κατάψυξη του νερού, μην χρησιμοποιείτε τον αφυγραντήρα και τον εύκαμπτο σωλήνα αποστράγγισης σε θερμοκρασία περιβάλλοντος κάτω από 0 ° C
3. Μην χρησιμοποιείτε τον αφυγραντήρα έξω. Η έκθεση σε άμεσο ηλιακό φως ή βροχή μπορεί να οδηγήσει σε υπερθέρμανση, ηλεκτροπληξία και πυρκαγιά.
4. Μην τοποθετείτε τη δεξαμενή νερού στον αφυγραντήρα για να αποφύγετε τυχόν διαρροή νερού μέσα στη μονάδα και να καταστρέψετε τη μόνωση.
5. Ποτέ μην επιχειρήσετε να χρησιμοποιήσετε τον αφυγραντήρα για ειδικές χρήσεις, όπως η αφύγρυνση τροφίμων ή η συντήρηση αντικειμένων τέχνης ή παρόμοια.
6. Μη χρησιμοποιείτε τον αφυγραντήρα σε περίπτωση διαρροής λαδιού ή εύφλεκτου αερίου. Μην χρησιμοποιείτε τη μονάδα σε μέρη που υπόκεινται σε χημικά.
7. Για συνεχή αποστράγγιση, βεβαιωθείτε ότι ο σωλήνας αποστράγγισης έχει ρυθμιστεί σωστά με κλίση.
8. Προσέξτε ότι η συσκευή θέρμανσης δεν εκτίθεται στον αέρα από τον αφυγραντήρα.
9. Μη χρησιμοποιείτε τον αφυγραντήρα ως καρέκλα ή σκαμπό.
10. Μην αφαιρέσετε το μοχλό επίπλευσης από τη δεξαμενή νερού.
11. Μην φράζετε τις εισόδους αέρα και τις εξόδους αέρα.
12. Μην καλύπτετε τη μονάδα με πλυμένα ρούχα.
13. Πριν από τη συνεχή λειτουργία για μεγάλη διάρκεια, απαιτείται περιοδικός έλεγχος ειδικά για το φίλτρο καθαρού αέρα, τον εύκαμπτο σωλήνα αποστράγγισης ή παρόμοια.
14. Η συσκευή εγκαθίσταται, λειτουργεί και αποθηκεύεται σε δωμάτιο με επιφάνεια δαπέδου μεγαλύτερη από 4 τετραγωνικά μέτρα και σε χώρο με καλά αεριζόμενο χώρο.
15. Ποτέ μην βάζετε τα δαχτυλά σας, τις ράβδους, στην έξοδο και την είσοδο αέρα.

Περιγραφή προϊόντος: AD7861 Αφυγραντήρας αέρα (εικόνα 2)

- | | | |
|-------------------------------------|--------------------------------------|-------------------------|
| 1. Λαβή για εύκολη μεταφορά | 2. Έξοδος αέρα | 3. Πίσω περίβλημα |
| 4. Πίνακας ελέγχου | 5. Είσοδος αέρα | 6. Μπροστινό περίβλημα |
| 7. Δεξαμενή νερού 2.0L | 8. Καλώδιο ρεύματος | 9. Πόδι |
| 10. Εύκαμπτος σωλήνας αποστράγγισης | 11. Λεκάνη πλωτήρα | 12. Φίλτρο αέρα καθαρού |
| 13. Πλέγμα φίλτρου | 14. Συνεχής θύρα αποστράγγισης νερού | |

Πίνακας Ελέγχου

- | | |
|--------------------------------------|--|
| A. Κομπι λειτουργίας | B. Κομπι μείωσης της επιθυμητής υγρασίας |
| C. Κομπι αύξησης επιθυμητής υγρασίας | D. Κομπι χρονοδιακόπτη 0-24 ωρών |
| E. Ένδειξη χρονοδιακόπτη | F. Ένδειξη αυτοαπόψυξης |
| G. Ένδειξη δραστηριότητας συμπίεστη | H. Ένδειξη πλήρους δεξαμενής νερού |
| J. Ψηφιακή ένδειξη «88». | |

Η ψηφιακή ένδειξη «88» (J) θα δείξει:

- επιλεγμένο επιθυμητό επίπεδο υγρασίας στο εύρος: 30-90 τοις εκατό της σχετικής υγρασίας (RH)
- ώρες εντός εύρους: 1-24, όταν προγραμματίζετε καθυστερημένη έναρξη ή καθυστερημένη διακοπή
- "LO" - σημαίνει χαμηλή, όταν η υγρασία του περιβάλλοντος είναι χαμηλότερη από 35%
- "HI" - σημαίνει υψηλή, όταν η υγρασία του περιβάλλοντος είναι μεγαλύτερη από 95%,

ΧΡΗΣΗ

1. Συνδέστε τη συσκευή.
 2. Πατήστε το κουμπί λειτουργίας (A) για να ξεκινήσει η λειτουργία, η ψηφιακή ένδειξη «88» (J) θα ανάψει. Πατήστε ξανά το κουμπί λειτουργίας (A) για να σταματήσετε τη λειτουργία.
 3. Πιέστε το κάτω μέρος (C) ή (D) για να ρυθμίσετε το επιθυμητό επίπεδο υγρασίας στο δωμάτιο, το οποίο μπορεί να ρυθμιστεί από 30% έως 90% σε διαστήματα 5% ή "CO".
- Μετά από μια περίοδο εργασίας:
- όταν η υγρασία περιβάλλοντος είναι χαμηλότερη από την επιλεγμένη υγρασία κατά 2%, ο συμπιεστής θα σταματήσει,
 - όταν η υγρασία περιβάλλοντος είναι ίση ή μεγαλύτερη από την επιλεγμένη υγρασία κατά 3%, ο συμπιεστής θα επανεκκινήσει μετά από 3 λεπτά το χρόνο προστασίας του συμπιεστή.

4. ΛΕΙΤΟΥΡΓΙΑ ΧΡΟΝΟΔΙΑΚΟΠΤΗ

Πατήστε το κουμπί του χρονοδιακόπτη (D) είναι η ώρα του προγράμματος:

- όταν η συσκευή είναι ενεργοποιημένη για να ρυθμίσετε τη λειτουργία καθυστερημένης διακοπής:
- Πατώντας επανειλημμένα το κουμπί του χρονοδιακόπτη (D) ρυθμίστε την επιθυμητή ώρα, θα κυκλοφορήσει από 0-1-2.....23-24. Η ένδειξη ώρας (E) θα ανάψει. Η συσκευή θα σταματήσει να λειτουργεί όταν περάσει ο επιθυμητός χρόνος.
- όταν η συσκευή είναι απενεργοποιημένη για να ρυθμίσετε τη λειτουργία καθυστερημένης εκκίνησης:
- Πατώντας επανειλημμένα το κουμπί του χρονοδιακόπτη (D) ρυθμίστε την επιθυμητή ώρα, θα κυκλοφορήσει από 0-1-2.....23-24. Η ένδειξη ώρας (E) θα ανάψει. Η συσκευή θα ξεκινήσει να λειτουργεί όταν περάσει ο επιθυμητός χρόνος.
- Για να ακυρώσετε τον προγραμματισμό του χρονοδιακόπτη, πατήστε το κουμπί του χρονοδιακόπτη (D) στο μηδέν.
- Ο προγραμματισμένος χρόνος παραμένει αμετάβλητος εάν το μηχάνημα σταματήσει να λειτουργεί λόγω γεμάτου δοχείου νερού ή κατά την αυτοαπόψυξη.

5. ΑΠΟΧΕΤΕΥΣΗ ΔΕΞΑΜΕΝΗΣ ΝΕΡΟΥ

Όταν η δεξαμενή νερού (7) γεμίσει, η ένδειξη (H) ανάβει, η λειτουργία θα σταματήσει αυτόματα και ο βομβητής θα ηχήσει 15 φορές για να ειδοποιήσει τον χρήστη ότι πρέπει να αδειάσει το νερό από το δοχείο νερού (7). Δείτε τις εικόνες 4 και 5. Η διαδικασία αποστράγγισης νερού είναι:

- Πιέστε ελαφρά τις πλευρές της δεξαμενής (7) και με τα δύο χέρια και τραβήξτε απαλά τη δεξαμενή προς τα έξω.
 - Ρίξτε το νερό που μαζεύτηκε. Εάν το δοχείο νερού (7) είναι βρώμικο, πλύντε το με κρύο ή χλιαρό νερό.
- ΠΑΡΑΤΗΡΗΣΗ:** Μην αφαιρείτε την πλωτή λεκάνη (11) από τη δεξαμενή νερού (7). Ο ενσωματωμένος αισθητήρας πλήρους νερού δεν θα είναι πλέον σε θέση να ανιχνεύσει σωστά τη στάθμη του νερού χωρίς την πλωτή λεκάνη (11) και η συσκευή θα σταματήσει να λειτουργεί.
- Όταν επανατοποθετείτε το δοχείο νερού (7), πιέστε το δοχείο σταθερά στη θέση του και με τα δύο χέρια. Εάν η δεξαμενή δεν τοποθετηθεί σωστά, ο ενσωματωμένος αισθητήρας πλήρους νερού δεν θα ενεργοποιηθεί, επομένως ο αφυγραντήρας δεν θα λειτουργεί.

6. ΛΕΙΤΟΥΡΓΙΑ ΣΥΝΕΧΗΣ ΑΠΟΧΕΤΕΥΣΗΣ ΝΕΡΩΝ

- Όταν ρυθμίσετε το επίπεδο υγρασίας σε "CO" στην ψηφιακή οθόνη (J), ο συμπιεστής θα λειτουργεί συνεχώς. Ο χρήστης μπορεί:
- 6.α. συνδέστε τον εύκαμπο σωλήνα αποστράγγισης (10)
- Εάν ο χρήστης συνδέσει τον εύκαμπο σωλήνα αποστράγγισης (10), το νερό θα αποστραγγίζεται συνεχώς στον νεροχύτη/μπανιέρα ή σε άλλο εξωτερικό δοχείο που θα εγκαταστήσετε. Η συσκευή διαθέτει μια θύρα συνεχούς αποστράγγισης νερού (14) - δείτε την εικόνα 3. Πρέπει να βγάλετε τη δεξαμενή νερού (7) για να συναρμολογήσετε τον εύκαμπο σωλήνα αποστράγγισης (10) στη θύρα συνεχούς αποστράγγισης νερού (14). Ο εύκαμπος σωλήνας αποστράγγισης (10) (με εσωτερική διάμετρο 10 mm) πρέπει να τοποθετηθεί στην οπή αποστράγγισης της θύρας (14) που φαίνεται στην εικόνα 3. Το νερό μπορεί να αποστραγγίζεται συνεχώς από τη θύρα (14).
- 6.β. μην συνδέετε τον εύκαμπο σωλήνα αποστράγγισης (10).
- Εάν ο χρήστης δεν συνδέσει τον εύκαμπο σωλήνα αποστράγγισης (10), το νερό θα αποστραγγιστεί στη δεξαμενή νερού (7). Όταν το δοχείο νερού (7) είναι γεμάτο, η συσκευή θα σταματήσει να λειτουργεί αυτόματα.

7. ΛΕΙΤΟΥΡΓΙΑ ΑΥΤΟΜΑΤΗΣ ΑΠΟΨΥΞΗΣ

Όταν συσσωρευτεί παγετός στο ενσωματωμένο πηνίο του εξαιμιστή, ο συμπιεστής θα σβήσει και η συσκευή θα μεταβεί αυτόματα σε λειτουργία αυτόματης απόψυξης. Μετά την ολοκλήρωση της λειτουργίας απόψυξης, η συσκευή θα επιστρέψει στις προηγούμενες ρυθμίσεις λειτουργίας. Όταν η συσκευή λειτουργεί σε δωμάτιο με θερμοκρασία μεταξύ 5 βαθμών Κελσίου και 12 βαθμών Κελσίου, θα μπαίνει σε λειτουργία αυτόματης απόψυξης περίπου κάθε 30 λεπτά. Όταν η συσκευή λειτουργεί σε δωμάτιο με θερμοκρασία μεταξύ 12 βαθμών Κελσίου και 20 βαθμών Κελσίου, θα μπαίνει σε λειτουργία αυτόματης απόψυξης περίπου κάθε 45 λεπτά.

Καθαρισμός και Συντήρηση

1. Απενεργοποιήστε τη μονάδα και αποσυνδέστε το φιλς τροφοδοσίας πριν ξεκινήσετε οποιοδήποτε καθαρισμό ή άλλη τακτική συντήρηση.
2. Για να αποφύγετε τον κίνδυνο ηλεκτροπληξίας, μην ψεκάζετε ή χύνετε ποτέ νερό στον αφυγραντήρα όταν τον καθαρίζετε.

3. Απενεργοποιήστε τη συσκευή και αδειάστε το νερό από το δοχείο νερού πριν μετακινήσετε τη συσκευή. Φροντίστε να κρατάτε από τη λαβή ενώ κινείστε.
4. Σκουπίστε το περίβλημα της συσκευής με βρεγμένο πανί.
5. Μην αποσυναρμολογείτε τον πλωτήρα (11) από τη δεξαμενή νερού (7). Για να καθαρίσετε τη δεξαμενή νερού (7) μην χρησιμοποιείτε απορρυπαντικό, επιθέματα καθαρισμού, πανιά σκόνης επεξεργασμένα με χημικά, βενζίνη, βενζίνη, διαλυτικό ή άλλους διαλύτες, καθώς αυτά μπορεί να χαράζουν και να καταστρέψουν τη δεξαμενή και να προκαλέσουν διαρροή νερού.
6. Πριν από την προγραμματισμένη συνεχή λειτουργία για μεγάλη διάρκεια, απαιτείται περιοδικός έλεγχος ειδικά για το διχτυωτό φίλτρο αέρα (12) και τον εύκαμπτο σωλήνα αποστράγγισης (10).
7. Για τον καθαρισμό ή την αντικατάσταση των φίλτρων θα πρέπει:
 - αποσυνδέστε το φιν και βγάλτε το δοχείο νερού (7),
 - αφαιρέστε το πλέγμα (13) όπως φαίνεται στην εικόνα 6,
 - αφαιρέστε απαλά το καθαρό φίλτρο αέρα (12) από το πλέγμα φίλτρου (13),
 - Καθαρίστε το φίλτρο κάθε δύο εβδομάδες με ηλεκτρική σκούπα. Περάστε ελαφρά μια ηλεκτρική σκούπα πάνω από την επιφάνεια του φίλτρου αέρα (12) για να αφαιρέσετε τη βρωμιά. Εάν το φίλτρο αέρα (12) είναι εξαιρετικά βρώμικο, πλύνετε το με ζεστό νερό και ένα ήπιο καθαριστικό και στεγνώστε το καλά. Η απόδοση αφύγρανσης μπορεί να μειωθεί όταν το φίλτρο είναι φραγμένο με υπολείμματα.
 - Τοποθετήστε το φίλτρο μέσα στο πλέγμα φίλτρου και συναρμολογήστε το ξανά στο περίβλημα της συσκευής.
8. Μην καθαρίζετε τη συσκευή με βενζίνη, διαλυτικό ή υγρό απορρυπαντικό.
9. Αποθήκευση: όταν η συσκευή δεν χρησιμοποιείται για μεγάλο χρονικό διάστημα και θέλετε να την αποθηκεύσετε, σημειώστε τα παρακάτω βήματα:
 - Αδειάστε το νερό που έχει μείνει στο δοχείο νερού.
 - Διπλώστε το καλώδιο τροφοδοσίας (8) και βάλτε το μέσα στη δεξαμενή νερού (7) μέσα.
 - Καθαρίστε το διχτυωτό φίλτρο αέρα (12).
 - Αποθήκευση σε δροσερό και ξηρό μέρος.

ΑΝΤΙΜΕΤΩΠΙΣΗ ΠΡΟΒΛΗΜΑΤΩΝ

Εάν παρουσιαστεί μια κατάσταση που αναφέρεται παρακάτω, ελέγξτε τα παρακάτω στοιχεία πρώτου καλέστε την εξυπηρέτηση πελατών.

Πρόβλημα 1: Η συσκευή δεν λειτουργεί.

Πιθανή αιτία 1: Έχει αποσυνδεθεί το καλώδιο ρεύματος;

Λύση του προβλήματος: Συνδέστε το καλώδιο ρεύματος στην πρίζα.

Πιθανή αιτία 2: Αναβοσβήνει η ένδειξη πλήρους δοχείου νερού (H);

Λύση του προβλήματος: Η δεξαμενή είναι γεμάτη ή σε λάθος θέση. Αδειάστε το δοχείο νερού (7) και στη συνέχεια τοποθετήστε ξανά το δοχείο.

Πιθανός λόγος 3: Η θερμοκρασία του δωματίου είναι πάνω από 35 βαθμούς Κελσίου ή κάτω από 5 βαθμούς Κελσίου;

Λύση του προβλήματος: Η ενσωματωμένη συσκευή προστασίας ενεργοποιείται και ο αφυγραντήρας δεν μπορεί να ξεκινήσει σε θερμοκρασία δωματίου πάνω από 35 βαθμούς Κελσίου ή κάτω από 5 βαθμούς Κελσίου.

Πρόβλημα 2: Η λειτουργία αφύγρανσης δεν λειτουργεί

Πιθανή αιτία 1: Είναι βουλωμένο το καθαρό φίλτρο αέρα (12);

Λύση πρόβλημα 1: Καθαρίστε το φίλτρο αέρα όπως υποδεικνύεται στην ενότητα "Καθαρισμός και συντήρηση" – σημείο 7.

Πιθανή αιτία 2: Είναι παρεμποδισμένη η είσοδος αέρα (5) ή η έξοδος αέρα (2);

Λύση του προβλήματος: Αφαιρέστε το εμπόδιο.

Πρόβλημα 3: Δεν εκκενώνεται αέρας.

Πιθανή αιτία 1: Είναι βουλωμένο το καθαρό φίλτρο αέρα (12);

Λύση του προβλήματος: Καθαρίστε το φίλτρο αέρα σύμφωνα με τις οδηγίες στην ενότητα "Καθαρισμός και συντήρηση" - σημείο 7.

Πρόβλημα 4: Η λειτουργία είναι θορυβώδης

Πιθανή αιτία 1: Είναι η συσκευή σε κλίση ή σε ασταθή θέση;

Λύση του προβλήματος: Μετακινήστε τη συσκευή σε μια σταθερή, ομοίμορφη, στιβαρή επιφάνεια.

Πιθανή αιτία 2: Είναι βουλωμένο το καθαρό φίλτρο αέρα (12);

Λύση του προβλήματος: Καθαρίστε το φίλτρο αέρα σύμφωνα με τις οδηγίες στην ενότητα "Καθαρισμός και συντήρηση" - σημείο 7.

Πρόβλημα 5: Ο κωδικός E1 εμφανίζεται στην ψηφιακή ένδειξη (J)

Πιθανός λόγος 1: Βραχυκύκλωμα ή ανοιχτό κύκλωμα αισθητήρα πηνίου

Λύση του προβλήματος: Επικοινωνήστε με τον πωλητή που εξέδωσε τον λογαριασμό αγοράς σας.

ΤΕΧΝΙΚΗ ΗΜΕΡΟΜΗΝΙΑ:

Χωρητικότητα αφύγρανσης στους 30°C / 80% RH): 10 λίτρα / 24 ώρες

Επίπεδο θορύβου: <= 42dB(A)

Χωρητικότητα δοχείου νερού: 2,0 λίτρα

Ροή αέρα: 150m³/ώρα

Βάρος ψυκτικού μέσου R290: 45 γραμμάρια

Ονομαστική ισχύς εισόδου: 280W

Τροφοδοσία: 220-240V ~50Hz



Προσοχή, κίνδυνος πυρκαγιάς.

ΜΗ τρυπήσετε ή καείτε.

Λάβετε υπόψη ότι το ψυκτικό μπορεί να μην περιέχει οσμή.

Η συσκευή πρέπει να εγκαθίσταται, να λειτουργεί και να αποθηκεύεται σε δωμάτιο με επιφάνεια δαπέδου μεγαλύτερη από 4 m.².

Μέγιστη ποσότητα πλήρωσης ψυκτικού: 45 g



We geven om het milieu. We vragen u om de kartonnen verpakkingen te storten bij het oud papier. Polyethyleen zakken (PE) storten in de container voor plastic. Versleten apparatuur afgeven bij het juiste verzamelpunt, als in het apparaat gevaarlijke elementen zitten kan dat een bedreiging zijn voor het milieu. Elektrisch apparaat moet worden geretourneerd om het hergebruik te verminderen. Als in het apparaat batterijen zitten, horen die verwijderd te worden en apart af te worden gegeven bij het juiste verzamelpunt.

NEDERLANDS

ALGEMENE VEILIGHEIDSVORWAARDEN

BELANGRIJKE VEILIGHEIDSinSTRUCTIES LEES AANDACHTIG EN BEWAAR VOOR TOEKOMST

1. Lees voordat u het apparaat gebruikt de handleiding en volg de instructies die erin staan. De fabrikant is niet aansprakelijk voor schade veroorzaakt door het gebruik van het apparaat in strijd met het beoogde doel of onjuist gebruik.
2. Het apparaat is alleen voor thuisgebruik. Niet gebruiken voor andere doeleinden die niet voor het beoogde doel zijn.
3. Het apparaat mag alleen worden aangesloten op een stopcontact met een geaarde 220 240V ~ 50Hz. Om de operationele veiligheid te vergroten, mogen meerdere elektrische apparaten niet tegelijkertijd op één stroomcircuit worden aangesloten.
4. Wees uiterst voorzichtig wanneer u het apparaat gebruikt wanneer kinderen in de buurt zijn. Laat kinderen niet met het apparaat spelen, en laat kinderen of mensen die niet bekend zijn met het apparaat het gebruiken.
5. **WAARSCHUWING:** deze apparatuur kan worden gebruikt door kinderen ouder dan 8 jaar en mensen met beperkte fysieke, sensorische of mentale vaardigheden, of mensen die geen ervaring of kennis van de apparatuur hebben, als dit wordt gedaan onder toezicht van een verantwoordelijke persoon voor hun veiligheid of hebben ze informatie gekregen over het veilige gebruik van het apparaat en zijn zich bewust van de gevaren van het gebruik ervan. Kinderen mogen niet met het apparaat spelen. Reiniging en onderhoud van het apparaat mogen niet door kinderen worden uitgevoerd, tenzij ze ouder zijn dan 8 jaar en deze activiteiten worden uitgevoerd onder toezicht.
6. Trek altijd de stekker uit het stopcontact door het stopcontact na gebruik met uw hand vast te houden. Trek NIET aan het netsnoer.
7. Dompel de kabel, de stekker en het hele apparaat niet onder in water of een andere vloeistof. Stel het apparaat niet bloot aan atmosferische omstandigheden (regen, zon, enz.) Of gebruik het niet in omstandigheden met een hoge luchtvochtigheid (badkamers, vochtige stacaravans).
8. Controleer regelmatig de staat van het netsnoer. Als het netsnoer beschadigd is, moet het

- worden vervangen door een gespecialiseerde reparatiewerkplaats om gevaar te voorkomen.
9. Gebruik het apparaat niet met een beschadigd netsnoer of als het is gevallen of op een andere manier is beschadigd of als het niet goed werkt. Repareer het apparaat niet zelf, want er bestaat een risico op elektrische schokken. Breng het beschadigde apparaat naar een geschikt servicecentrum voor controle of reparatie. Alle reparaties mogen alleen door geautoriseerde servicepunten worden uitgevoerd. Onjuist uitgevoerde reparaties kunnen ernstig gevaar voor de gebruiker veroorzaken.
 10. Plaats het apparaat op een koele, stabiele ondergrond, uit de buurt van hete keukenapparatuur zoals: elektrisch fornuis, gasbrander, enz.
 11. Zorg ervoor dat niets de luchtinlaat en -uitlaat van het apparaat blokkeert
 12. Gebruik het apparaat alleen op een vlakke ondergrond om te voorkomen dat condensatie naar buiten komt
 13. Voor extra bescherming is het raadzaam om een aardlekschakelaar (RCD) in het elektrisch circuit te installeren met een nominale reststroom van niet meer dan 30 mA. Vraag hierom een elektricien.
 14. Reinig het luchtfilter regelmatig. De frequentie van schoonmaken hangt af van de reinheid van de lucht.
 15. Wacht na het uitschakelen van de machine minstens 5 minuten voordat u hem weer inschakelt.
 16. Voor een effectieve ontvochtiging moet een ruimte van minimaal 20 cm worden aangehouden tussen de zijwanden van de apparaten en de gecomprimeerde meubels of gordijnen.
 17. Spuit de droger niet om het risico op brand of explosie te vermijden
 18. Plaats de luchtontvochtiger niet in de buurt van verwarmingsapparaten om de behuizingsonderdelen te gebruiken.
 19. Verwijder het water dat in de tank is opgevangen. Per ongeluk water drinken of het gebruiken met andere mensen kan ziekte veroorzaken.
 20. Ondersteunt geen apparaten waarvan de achterklep is verwijderd vanwege bewegende en hete onderdelen.
 21. Gebruik voor het ontdooien of het gebruik geen andere middelen dan die welke door de fabrikant worden aanbevolen.
 22. Het apparaat moet beschikbaar zijn als onderdeel van een permanente lijst van ontstekingsbronnen, dwz zonder open vlam, zonder een werkend gasapparaat of zonder een werkend apparaatverwarmer.
 23. Niet doorboren of roken.
 24. Houd er rekening mee dat koelfabrikanten geen geur bevatten.

Voor het eerste gebruik:

1. De luchtontvochtiger moet worden gebruikt op een vlak en stabiel oppervlak, houd afstanden tussen de unit en andere objecten volgens afbeelding 1 om een geschikte efficiëntie te garanderen. Sluit alle ramen en deuren van de kamer waar u de lucht wilt ontvochtigen.
2. Gebruik de luchtontvochtiger en de afvoerslang niet bij omgevingstemperaturen onder 0 ° C om te voorkomen dat het water bevroert
3. Gebruik de luchtontvochtiger niet buiten. Blootstelling aan direct zonlicht of regen kan leiden tot oververhitting, elektrische schokken en brand.

4. Plaats geen watertank op de luchtontvochtiger om te voorkomen dat er water in het apparaat binnendringt en de isolatie verslechtert.
5. Probeer nooit de luchtontvochtiger te gebruiken voor speciale doeleinden, zoals het ontvochtigen van voedsel of het bewaren van kunstvoorwerpen en dergelijke.
6. Gebruik de luchtontvochtiger niet op plaatsen waar lekkage van olie of brandbaar gas kan plaatsvinden. Gebruik het apparaat niet op plaatsen die onderhevig zijn aan chemicaliën.
7. Zorg ervoor dat de afvoerslang correct is afgesteld op een helling voor continu legen.
8. Zorg ervoor dat een verwarmingstoestel niet wordt blootgesteld aan de wind van de luchtontvochtiger.
9. Gebruik de luchtontvochtiger niet als stoel of als voetenbank.
10. Verwijder de vlotterhendel niet uit de watertank.
11. Blokkeer de luchtinlaten en de luchtuitlaten niet.
12. Bedek het apparaat niet met gewassen kleding.
13. Voorafgaand aan continu gebruik gedurende lange tijd is periodieke controle vereist, vooral voor het luchtreinigingsfilter, de afvoerslang of dergelijke.
14. Het apparaat moet worden geïnstalleerd, bediend en opgeslagen in een ruimte met een vloeroppervlak groter dan 4 vierkante meter en in een ruimte met een goed geventileerde ruimte.
15. Steek nooit uw vingers, staven, in de luchtuitlaat en -inlaat.

Productbeschrijving: AD7861 Luchtontvochtiger (foto 2)

- | | | |
|--------------------------------------|------------------------------------|---------------------|
| 1. Handgreep voor gemakkelijk dragen | 2. Luchtuitlaat | 3. Achterbehuizing |
| 4. Bedieningspaneel | 5. Luchtinlaat | 6. Frontbehuizing |
| 7. Watertank 2.0L | 8. Netsnoer | 9. Voet |
| 10. Afvoerslang | 11. Vlotterbak | 12. Net luchtfilter |
| 13. Filterrooster | 14. Doorlopende waterafvoeropening | |

Controlepaneel

- | | |
|--|--|
| A. Aan/uit-knop | B. Knop voor het verlagen van de gewenste luchtvochtigheid |
| C. Knop Gewenste vochtigheidsverhoging | D. Knop Timer 0-24 uur |
| E. Timerindicator | F. Zelfontdooiingsindicator |
| G. Indicator activiteit compressor | H. Indicator volle watertank |
| J. Digitale "88"-indicator | |

De digitale "88"-indicator (J) toont:

- geselecteerde gewenste vochtigheidsgraad binnen bereik: 30-90 procent van de relatieve vochtigheid (RV)
- uren in bereik: 1-24, wanneer u uitgestelde start of uitgestelde stop programmeert
- "LO" - betekent laag, wanneer de omgevingsvochtigheid lager is dan 35%
- "HI" - betekent hoog, wanneer de omgevingsvochtigheid hoger is dan 95%,

GEBRUIK

1. Sluit het apparaat aan.
2. Druk op de aan/uit-knop (A) om de werking te starten, de digitale "88"-indicator (J) gaat branden. Druk nogmaals op de aan/uit-knop (A) om de werking te stoppen.
3. Druk op de onderkant (C) of (D) om de gewenste luchtvochtigheid in de kamer in te stellen, die kan worden ingesteld van 30% tot 90% met intervallen van 5% of "CO".

Na een periode van werken:

- wanneer de omgevingsvochtigheid 2% lager is dan de geselecteerde vochtigheid, stopt de compressor,
- wanneer de omgevingsvochtigheid gelijk is aan of hoger is dan de geselecteerde luchtvochtigheid met 3%, zal de compressor eenmaal opnieuw opstarten na 3 minuten compressorbeschermingstijd.

4. TIMERFUNCTIE

Druk op de timerknop (D) is het programma de tijd:

- wanneer het apparaat is ingeschakeld om de vertraagde stopfunctie in te stellen: Door herhaaldelijk op de timerknop (D) te drukken, past u de gewenste tijd aan, deze zal circuleren van 0-1-2.....23-24. De tijdsindicator (E) gaat branden. Het apparaat stopt met werken wanneer de gewenste tijd verstreken is.
 - wanneer het apparaat is uitgeschakeld om de uitgestelde startfunctie in te stellen: Door herhaaldelijk op de timerknop (D) te drukken, past u de gewenste tijd aan, deze zal circuleren van 0-1-2.....23-24. De tijdsindicator (E) gaat branden. Het apparaat begint te werken wanneer de gewenste tijd is verstreken.
- Om de timerprogramming te annuleren, drukt u de timerknop (D) op nul.
De geprogrammeerde tijd blijft ongewijzigd als de machine stopt met werken vanwege een volle watertank of tijdens zelfontdooiing.

5. WATERTANK LEGEN

Wanneer de watertank (7) vol is, licht de indicator (H) op, stopt de werking automatisch en piept de zoemer 15 keer om de gebruiker te waarschuwen dat het water uit de watertank (7) moet worden geleegd. Kijk naar afbeeldingen 4 en 5. De waterafvoerprocedure is:

- Druk met beide handen lichtjes op de zijkanten van de tank (7) en trek de tank er voorzichtig uit.
 - Giet het opgevangen water weg. Als het waterreservoir (7) vuil is, was het dan met koud of lauwwater.
- OPMERKING: Verwijder de vlotterbak (11) niet uit de watertank (7). Zonder de vlotterbak (11) zal de ingebouwde volwatersensor het waterpeil niet meer correct kunnen detecteren en stopt het apparaat met werken.
- Druk bij het terugplaatsen van het waterreservoir (7) het reservoir met beide handen stevig op zijn plaats. Als de tank niet goed is geplaatst, wordt de ingebouwde volwatersensor niet geactiveerd en werkt de luchtontvochtiger dus niet.

6. CONTINUE WATERAFVOERFUNCTIE

Bij het instellen van het vochtigheidsniveau op "CO" op het digitale display (J), zal de compressor continu draaien. De gebruiker kan:
6.a. sluit de afvoerslang aan (10)

Als de gebruiker de afvoerslang (10) aansluit, wordt het water continu afgevoerd naar de gootsteen/badkuip of een andere buitencontainer die u gaat opzetten. Het apparaat heeft een doorlopende waterafvoeropening (14) - zie afbeelding 3. U moet de watertank (7) verwijderen om de afvoerslang (10) op de doorlopende waterafvoeropening (14) te monteren. De afvoerslang (10) (met een binnendiameter van 10 mm) moet op het afvoergat van de poort (14) worden geplaatst, zoals weergegeven in afbeelding 3. Het water kan continu uit de poort (14) worden afgevoerd.

6.b. sluit de afvoerslang (10) niet aan.

Als de gebruiker de afvoerslang (10) niet aansluit, loopt het water weg naar de watertank (7). Als het waterreservoir (7) vol is, stopt het apparaat automatisch.

7. AUTO ONTDOOIEN FUNCTIE

Wanneer zich rijp op de ingebouwde verdamperbatterij vormt, schakelt de compressor uit en gaat het apparaat automatisch in de zelfontdooiingsmodus. Na voltooiing van de ontdooimodus keert het apparaat terug naar de vorige bedrijfsinstellingen. Wanneer het apparaat in een ruimte draait met een temperatuur tussen 5 graden Celsius en 12 graden Celsius, zal het ongeveer elke 30 minuten in de zelfontdooiingsmodus gaan. Wanneer het apparaat in een ruimte draait met een temperatuur tussen de 12 graden Celsius en 20 graden Celsius, zal het ongeveer elke 45 minuten in de zelfontdooiingsmodus gaan.

Schoonmaak en onderhoud

- Schakel het apparaat uit en haal de stekker uit het stopcontact voordat u begint met schoonmaken of ander routineonderhoud.
- Om het risico op een elektrische schok te voorkomen, mag u tijdens het schoonmaken nooit water op de luchtontvochtiger sprenkelen of morsen.
- Schakel het apparaat uit en leeg het water uit het waterreservoir voordat u het apparaat verplaatst. Zorg ervoor dat u het handvat vasthoudt tijdens het verplaatsen.
- Veeg de behuizing van het apparaat af met een natte doek.
- Haal de vlotter (11) niet uit de watertank (7). Gebruik voor het reinigen van de watertank (7) geen schoonmaakmiddelen, schuursponsjes, chemisch behandelde stoffdoeken, benzine, benzeen, verdunner of andere oplosmiddelen, aangezien deze de tank kunnen krassen en beschadigen en waterlekkage kunnen veroorzaken.
- Voorafgaand aan een gepland langdurig gebruik is een periodieke controle vereist, met name voor het netluchtfiler (12) en de afvoerslang (10).
- Om de filters schoon te maken of te vervangen, moet u:
 - trek de stekker uit het stopcontact en verwijder het waterreservoir (7),
 - verwijder het rooster (13) zoals aangegeven op afbeelding 6,
 - verwijder het net-luchtfiler (12) voorzichtig van het filterrooster (13),
 - reinig het filter om de twee weken met een stofzuiger. Ga met een stofzuiger lichtjes over het oppervlak van het luchtfiler (12) om vuil te verwijderen. Als het luchtfiler (12) buitengewoon vuil is, was het dan met warm water en een mild reinigingsmiddel en droog het grondig af. De deontvochtigingsprestaties kunnen afnemen als het filter verstopt is met vuil.
 - plaats het filter in het filterrooster en monteer het terug in de behuizing van het apparaat.
- Reinig het apparaat niet met benzine, verdunner of vloeibaar wasmiddel.
- Opslag: wanneer het apparaat langere tijd niet wordt gebruikt en u het wilt opbergen, volg dan de volgende stappen:
 - Leeg eventueel achtergebleven water in het waterreservoir.
 - Vouw het netsnoer (8) op en plaats het in het waterreservoir (7) binnenin.
 - Reinig het netluchtfiler (12).
 - Opslag op een koele en droge plaats.

PROBLEEMOPLOSSEN

Als een van de onderstaande omstandigheden zich voordoet, controleer dan de volgende items voordat u de klantenservice belt.

Probleem 1: Het apparaat werkt niet.

Mogelijke reden 1: Is het netsnoer losgekoppeld?

Oplossing van het probleem: Steek het netsnoer in het stopcontact.

Mogelijke reden 2: Knippert de indicator watertank vol (H)?

Oplossing van het probleem: De tank is vol of in een verkeerde positie. Leeg de watertank (7) en plaats de tank terug.

Mogelijke reden 3: Is de temperatuur in de kamer hoger dan 35 graden Celsius of lager dan 5 graden Celsius?

Oplossing van het probleem: Het ingebouwde beveiligingsapparaat is geactiveerd en de luchtontvochtiger kan niet worden gestart bij een

temperatuur van de kamer boven 35 graden Celsius of onder 5 graden Celsius.

Probleem 2: De ontvochtigingsfunctie werkt niet

Mogelijke reden 1: Is het netluchtfilter (12) verstopt?

Oplossing probleem 1: Reinig het luchtfilter volgens de instructies onder "Reiniging en onderhoud" – punt 7.

Mogelijke reden 2: Is de luchtinlaat (5) of de luchtuitlaat (2) verstopt?

Oplossing van het probleem: verwijder de verstopping.

Probleem 3: Er wordt geen lucht afgevoerd.

Mogelijke reden 1: Is het netluchtfilter (12) verstopt?

Oplossing van het probleem: Reinig het luchtfilter volgens de instructies onder "Reiniging en onderhoud" - punt 7.

Probleem 4: De werking maakt veel lawaai

Mogelijke reden 1: is het apparaat gekanteld of onstabiel geplaatst?

Oplossing van het probleem: Verplaats het apparaat naar een stabiele, vlakke, stevige ondergrond.

Mogelijke reden 2: Is het netluchtfilter (12) verstopt?

Oplossing van het probleem: Reinig het luchtfilter volgens de instructies onder "Reiniging en onderhoud" - punt 7.

Probleem 5: E1-code weergegeven op de digitale indicator (J)

Mogelijke reden 1: Kortsluiting spoelsensor of open circuit

Oplossing van het probleem: Neem contact op met de verkoper die u de aankoopfactuur heeft verstrekt.

TECHNISCHE DATUM:

Ontvochtigingscapaciteit bij 30°C / 80% RV): 10 liter / 24 uur

Geluidsniveau: <= 42dB(A)

Inhoud watertank: 2,0 liter

Luchtstroom: 150m³/uur

Gewicht koelvloeistof R290: 45 gram

Nominaal ingangsvermogen: 280W

Voeding: 220-240V ~50Hz



Let op, brandgevaar.

NIET doorboren of verbranden.

Houd er rekening mee dat het koelmiddel geen geur mag bevatten.

Het apparaat moet worden geïnstalleerd, bediend en opgeslagen in een ruimte met een vloeroppervlak groter dan 4 m.².

De maximale hoeveelheid koelmiddel: 45 g.



We geven om het milieu. We vragen u om de kartonnen verpakkingen te storten bij het oud papier. Polyethyleen zakken (PE) storten in de container voor plastic. Versleten apparatuur afgeven bij het juiste verzamelpunt, als in het apparaat gevaarlijke elementen zitten kan dat een bedreiging zijn voor het milieu. Elektrisch apparatuur moet worden geretourneerd om het hergebruik te verminderen. Als in het apparaat batterijen zitten, horen die verwijderd te worden en apart af te worden gegeven bij het juiste verzamelpunt.

СРПСКИ

ОПШТИ УСЛОВИ СИГУРНОСТИ

ВАЖНЕ БЕЗБЕДНОСНЕ УПУТЕ ПРОЧИТАЈТЕ УПОЗОРЕЊЕ И УШТЕДИТЕ БУДУЋНОСТ

1. Пре употребе уређаја, прочитајте упутство за употребу и следите упутства која се налазе у њему. Произвођач није одговоран за штету насталу употребом уређаја супротно његовој предвиђеној намени или неправилном раду.
2. Уређај је намењен само за кућну употребу. Не употребљавајте у друге сврхе које нису предвиђене.
3. Уређај треба да буде повезан на наизменичну струју са уземљеним 220 240В ~ 50Хз. Да би се повећала оперативна сигурност, више електричних уређаја не би требало истовремено да буде повезано на један струјни круг.
4. Будите изузетно опрезни када користите уређај када су деца у близини. Не дозволите деци да се играју са уређајем, не дозволите деци или особама које нису упознате са уређајем да га користе.
5. УПОЗОРЕЊЕ: Ову опрему могу користити деца старија од 8 година и особе

ограничене физичке, сензорне или менталне способности, или људи који немају искуства или знање о опреми, ако се то ради под надзором одговорне особе ради њихове сигурности или су им одобрени подаци о сигурној употреби уређаја и свесни су опасности употребе уређаја. Деца се не смеју играти са опремом. Чишћење и одржавање уређаја не би требало да раде деца, осим ако су старија од 8 година и ове активности се изводе под надзором.

6. Увек искључите утикач држећи утичницу руком након употребе. НЕ повлачите кабл за напајање.

7. Не урањајте кабл, утикач и цео уређај у воду или било коју другу течност. Не излажите уређај атмосферским условима (киша, сунце итд.) И не користите у условима високе влажности (купатила, влажне мобилне кућице).

8. Повремено проверите стање кабла за напајање. Ако је кабл за напајање оштећен, замените га у специјалном сервису да бисте избегли опасност.

9. Не користите уређај са оштећеним каблом за напајање или ако је пао или оштећен на било који други начин или ако не ради исправно. Не поправљајте уређај сами јер постоји опасност од електричног удара. Оштећени уређај однесите у одговарајући сервисни центар ради провере или поправке. Све поправке смеју обављати само овлашћени сервиси. Неправилно извршени поправци могу озбиљно опасити за корисника.

10. Уређај поставите на хладну и стабилну површину, даље од врућих кухињских уређаја као што су: електрични шпорет, плински горионик итд.

11. Пазите да ништа не блокира довод и излаз ваздуха уређаја

12. Користите уређај само на равној површини како бисте спречили да се кондензат пролије

13. Да бисте обезбедили додатну заштиту, препоручљиво је да у електрични круг инсталирате уређај за заосталу струју (РЦД) са називно заосталом струјом која не прелази 30mA. Питајте за то електричара.

14. Редовно чистите ваздушни филтер. Учесталост чишћења зависи од чистоће ваздуха.

15. Након што искључите машину, сачекајте најмање 5 минута пре него што је поново укључите.

16. За ефикасно одвлаживање влаге, потребно је користити размак од најмање 20 цм између бочних зидова уређаја и компримованог намештаја или завеса.

17. Да бисте избегли ризик од пожара или експлозије, не прскајте сушилицу

18. Да бисте користили делове кућишта, не постављајте овлаживач у близини грејних уређаја.

19. Уклоните воду сакупљену у резервоару. Случајно конзумирање воде или употреба са другим људима може проузроковати болест.

20. Не подржава уређаје са уклоњеним задњим поклопцем због покретних и врућих делова.

21. Немојте користити средства за одмрзавање или било које друго средство осим

оних које је препоручио произвођач.

22. Уређај би требао бити доступан у склопу сталне листе извора паљења, тј. Без отвореног пламена, без радног плинског уређаја или без гријача који ради.

23. Не пробијајте и не пушите.

24. Имајте на уму да произвођачи производа за хлађење можда не садрже мирисе.

Пре прве употребе:

1. Одвлаживач мора се користити на равној и стабилној површини, држати растојања између јединице и других предмета у складу са сликом 1 да би се осигурала одговарајућа ефикасност. Затворите све прозоре и врата собе у којој желите да исушите ваздух.
2. Да бисте спречили да се вода смрзне, не користите одвлаживач и одводно црево на собној температури испод 0 ° Ц
3. Не користите овлаживач зрака напољу. Изложеност директној сунчевој светлости или киши може резултирати прегревавањем, струјним ударом и пожаром.
4. Не стављајте резервоар за воду на одвлаживач да не би дошло до просипавања воде у уређај и оштећења изолације.
5. Никада не покушавајте да користите овлаживач за посебне намене, као што је одвлаживање хране или чување уметничких предмета или слично.
6. Не користите одвлаживач ваздуха где може доћи до цурења нафте или запаљивог гаса. Не користите уређај на местима која су изложена хемикалијама.
7. За непрекидно одводњавање проверите да ли је одводно црево правилно постављено са нагибом.
8. Пазите да уређај за грејање не буде изложен ветру са уређаја за сушење.
9. Не користите средство за одвлаживање косе као столицу или подлогу за стопала.
10. Не уклањајте ручицу пловка из резервоара за воду.
11. Не блокирајте доводе за ваздух и отворе за ваздух.
12. Не прекривајте јединицу опраном одећом.
13. Пре континуираног рада током дужег времена, потребна је периодична провера нарочито за филтер за чишћење ваздуха, одводно црево или слично.
14. Уређај се поставља, користи и складишти у просторији површине веће од 4 квадратна метра иу просторији са добро проветреним простором.
15. Никада не стављајте своје прсте, шипке у отвор за излаз и довод ваздуха.

Опис производа: АД7861 Одвлаживач ваздуха (слика 2)

- | | | |
|---------------------------|---|-----------------------------|
| 1. Ручка за лако ношење | 2. Излаз ваздуха | 3. Кућиште са задње стране |
| 4. Контролна табла | 5. Улаз за ваздух | 6. Предње кућиште |
| 7. Резервоар за воду 2.0Л | 8. Кабл за напајање | 9. Нога |
| 10. Одводно црево | 11. Лавер са пловком | 12. Мрежни филтер за ваздух |
| 13. Решетка филтера | 14. Континуални прикључак за одвод воде | |

контролна табла

- | | |
|---------------------------------------|---------------------------------------|
| A. Дугме за напајање | B. Дугме за жељено смањење влажности |
| C. Дугме за повећање жељене влажности | D. Дугме за тајмер 0-24 сата |
| E. Индикатор тајмера | F. Индикатор самоодмрзавања |
| G. Индикатор активности компресора | H. Индикатор пуног резервоара за воду |
| J. Дигитални индикатор "88". | |

Дигитални индикатор "88" (J) ће показати:

- одабрани жељени ниво влажности у опсегу: 30-90 процената релативне влажности (PX)
- сати у опсегу: 1-24, када програмираете одложено покретање или одложено заустављање
- „ЛО“ – значи низак, када је влажност околине нижа од 35%
- "ХИ" - значи висок, када је влажност околине већа од 95%,

УПОТРЕБА

1. Укључите уређај.
2. Притисните дугме за напајање (A) да бисте започели рад, дигитални индикатор „88“ (J) ће се упалити. Притисните дугме за напајање (A) поново да бисте прекинули рад.
3. Притисните доњи део (Ц) или (D) да подесите жељени ниво влажности у просторији, који се може подесити од 30% до 90% у интервалима од 5% или "ЦО".

Након периода рада:

- када је влажност околине нижа од изабране влажности за 2%, компресор ће се зауставити,
- када је влажност околине једнака или виша од изабране влажности за 3%, компресор ће се поново покренути након 3-минутне заштите компресора.

4. ФУНКЦИЈА ТАЈМЕРА

Притисните дугме тајмера (Д) да бисте програмирали време:

- када је уређај укључен за подешавање функције одложеног заустављања:

Узастопним притиском на дугме тајмера (Д) подесите жељено време, оно ће кружити од 0-1-2.....23-24. Индикатор времена (Е) ће се упалити. Уређај ће престати са радом када прође жељено време.

- када је уређај искључен за подешавање функције одложеног старта:

Узастопним притиском на дугме тајмера (Д) подесите жељено време, оно ће кружити од 0-1-2.....23-24. Индикатор времена (Е) ће се упалити. Уређај ће почети са радом када прође жељено време.

Да бисте отказали програмирање тајмера, притисните дугме тајмера (Д) на нулу.

Програмирано време остаје непромењено ако машина престане да ради због пуног резервоара воде или током самоодмрзавања.

5. ДРЕНАЖА ИЗ РЕЗЕРВОАРА ВОДЕ

Када је резервоар за воду (7) пун, индикатор (Х) светли, рад ће се аутоматски зауставити и зујалица ће се огласити 15 пута како би упозорила корисника да је потребно испразнити воду из резервоара за воду (7). Погледајте слике 4 и 5. Поступак одводње воде је:

- Лагано притисните бочне стране резервоара (7) са обе руке и лагано извучите резервоар.

- Излијте прикупљену воду. Ако је резервоар за воду (7) прљав, оперите га хладном или млаком водом.

НАПОМЕНА: Не скидајте пловак (11) из резервоара за воду (7). Уграђени сензор пуне воде више неће моћи правилно да детектује ниво воде без пловног умиваоника (11) и уређај ће престати са радом.

- Када враћате резервоар за воду (7), чврсто притисните резервоар на место са обе руке. Ако резервоар није правилно постављен, уграђени сензор пуне воде неће се активирати, тако да одвлаживач неће радити.

6. ФУНКЦИЈА КОНТИНУИРАНОГ ОДВОДЊА ВОДЕ

Када поставите ниво влажности на "ЦО" на дигиталном дисплеју (Ј), компресор ће радити непрекидно. Корисник може:

6.а. спојити одводно црево (10)

Ако корисник споји одводно црево (10), вода ће се непрекидно одводити у судопер/каду или другу спољашњу посуду коју ћете поставити. Уређај има прикључак за континуалну дренажу воде (14) – погледајте слику 3. Потребно је извадити резервоар за воду (7) да би се одводно црево (10) спојило на прикључак за континуирано одвод воде (14). Одводно црево (10) (унутрашњег пречника 10мм) треба ставити на отвор за одвод (14) приказан на слици 3. Вода се може континуирано одводити из отвора (14).

6.б. не прикључујте одводно црево (10).

Ако корисник не споји одводно црево (10), вода ће се одлити у резервоар за воду (7). Када се резервоар за воду (7) напуни, уређај ће аутоматски престати са радом.

7. ФУНКЦИЈА АУТОМАТСКОГ ОДМРЗАВАЊА

Када се мраз накупи на уграђеном калему испаривача, компресор ће се искључити и уређај ће аутоматски прећи у режим самоодмрзавања. Након завршетка режима одмрзавања, уређај ће се вратити на претходно радна подешавања. Када уређај ради у просторији са температуром између 5 степени Целзијуса и 12 степени Целзијуса, улазиће у режим самоодмрзавања отприлике сваких 30 минута. Када уређај ради у просторији са температуром између 12 степени Целзијуса и 20 степени Целзијуса, улазиће у режим самоодмрзавања отприлике сваких 45 минута.

Чишћење и одржавање

1. Искључите јединицу и извучите утикач из утичнице пре почетка било каквог чишћења или другог рутинског одржавања.

2. Да бисте избегли ризик од струјног удара, никада не прскајте или просипајте воду по одвлаживачу током чишћења.

3. Искључите уређај и испразните воду из резервоара за воду пре него што померите уређај. Обавезно држите за ручку док се крећете.

4. Обришите кућиште уређаја влажном крпом.

5. Не растављајте пловак (11) из резервоара за воду (7). За чишћење резервоара за воду (7) немојте користити детерџент, јастучиће за рибање, хемијски третиране крпе за прашину, бензин, бензол, разређивач или друге раствараче, јер они могу изгребати и оштетити резервоар и изазвати цурење воде.

6. Пре планираног континуираног рада у дужем временском периоду, потребна је периодична провера посебно мрежног филтера за ваздух (12) и одводног црева (10).

7. За чишћење или замену филтера треба:

- извучите утикач и извадите резервоар за воду (7),

- уклоните решетку (13) као што је приказано на слици 6,

- нежно уклоните ваздушни филтер (12) са решетке филтера (13),

- очистите филтер сваке две недеље усисивачем. Лагано прођите усисивачем преко површине филтера за ваздух (12) да бисте уклонили прљавштину. Ако је ваздушни филтер (12) изузетно прљав, оперите га топлем водом и благим средством за чишћење и добро осушите. Перформансе одвлаживања могу се смањити када је филтер зачепљен остацима.

- ставите филтер у решетку филтера и саставите их назад у кућиште уређаја.

8. Не чистите уређај бензином, разређивачем или течним детерџентом.

9. Складиштење: када се уређај не користи дужи временски период и желите да га сачувате, обратите пажњу на следеће кораке:

- Испразните воду која је остала у резервоару за воду.

- Савијте кабл за напајање (8) и ставите га унутар резервоара за воду (7).

- Очистите мрежаст филтер за ваздух (12).

- Чување на хладном и сувом месту.

РЕШАВАЊЕ ПРОБЛЕМА

Ако дође до доле наведених услова, проверите следеће ставке пре него што позовете корисничку подршку.

Проблем 1: Уређај не ради.

Могући разлог 1: Да ли је кабл за напајање искључен?

Решење проблема: Укључите кабл за напајање у утичницу.

Могући разлог 2: Да ли индикатор пуног резервоара за воду (X) трепери?

Решење проблема: Резервоар је пун или у погрешном положају. Испразните резервоар за воду (7), а затим поново поставите резервоар.

Могући разлог 3: Да ли је температура просторије изнад 35 степени Целзијуса или испод 5 степени Целзијуса?

Решење проблема: Уграђени заштитни уређај се активира и одвлаживач не може да се покрене на температури просторије изнад 35 степени Целзијуса или испод 5 степени Целзијуса.

Проблем 2: Функција одvlaживања не ради

Могући разлог 1: Да ли је мрежаст филтер за ваздух (12) зачепљен?

Проблем са решењем 1: Очистите ваздушни филтер према упутствима у одељку „Чишћење и одржавање“ – тачка 7.

Могући разлог 2: Да ли је улаз за ваздух (5) или излаз за ваздух (2) зачепљен?

Решење проблема: Уклоните препреку.

Проблем 3: Нема испуштања ваздуха.

Могући разлог 1: Да ли је мрежаст филтер за ваздух (12) зачепљен?

Решење проблема: Очистите ваздушни филтер према упутствима у одељку "Чишћење и одржавање" - тачка 7.

Проблем 4: Рад је бучан

Могући разлог 1: Да ли је уређај нагнут или је нестабилан?

Решење проблема: Померите уређај на стабилну, равну, чврсту површину.

Могући разлог 2: Да ли је мрежаст филтер за ваздух (12) зачепљен?

Решење проблема: Очистите ваздушни филтер према упутствима у одељку "Чишћење и одржавање" - тачка 7.

Проблем 5: Е1 код приказан на дигиталном индикатору (J)

Могући разлог 1: Кратак спој сензора завојнице или отворени круг

Решење проблема: Обратите се продавцу који вам је издао рачун за куповину.

ТЕХНИЧКИ ДАТУМ:

Капацитет одvlaживања на 30°C / 80% РХ): 10 литара / 24 сата

Ниво буке: <= 42дБ(А)

Капацитет резервоара за воду: 2,0 литара

Проток ваздуха: 150м3/сат

Тежина раскладне течности Р290: 45 грама

Називна улазна снага: 280В

Напајање: 220-240В ~50Хз



Опрез, опасност од пожара.

НЕ бушите и не палите.

Имајте на уму да раскладно средство можда не садржи мирис.

Уређај се поставља, користи и складишти у просторији са површином већом од 4 м².

Максимална количина пуњења раскладног средства: 45г.



За заштиту животне средине: молимо вас да одвојите картонске кутије и пластичне кесе и одложите их у одговарајуће канте за смеће. Коришћени уређај треба да буде испоручен на наменске сакупљане тачке због оштрих компоненти, што може утицати на животну средину. Немојте одлагати овај уређај у заједничку корпу за отпатке.

SVENSKA

ALLMÄNNA SÄKERHETSVILLKOR

VIKTIGA SÄKERHETSINSTRUKTIONER LÄS NU OCH SPARA FÖR FRAMTID

1. Läs bruksanvisningen innan du använder enheten och följ instruktionerna i den.

Tillverkaren ansvarar inte för skador orsakade av att använda enheten i strid med dess avsedda syfte eller felaktig användning.

2. Enheten är endast avsedd för hemmabruk. Använd inte för andra ändamål som inte är avsedda för det.
3. Enheten ska endast anslutas till ett vägguttag med ett jordat 220 240V ~ 50Hz. För att öka driftsäkerheten bör flera elektriska enheter inte anslutas till en strömkrets samtidigt.
4. Var försiktig när du använder enheten när barn är i närheten. Låt inte barn leka med enheten, låt inte barn eller personer som inte känner till enheten använda den.
5. **WARNING:** Denna utrustning får användas av barn över 8 år och personer med begränsad fysisk, sensorisk eller mental förmåga, eller personer som inte har erfarenhet eller kunskap om utrustningen, om detta görs under övervakning av en ansvarig person för deras säkerhet eller har fått dem information om säker användning av enheten och är medvetna om farorna med att använda den. Barn ska inte leka med utrustningen. Rengöring och underhåll av enheten bör inte utföras av barn, såvida de inte är över 8 år gamla och dessa aktiviteter utförs under övervakning.
6. Koppla alltid ur nätkontakten genom att hålla uttaget med handen efter användning. Dra inte i nätsladden.
7. Sänk inte ned kabeln, kontakten och hela enheten i vatten eller någon annan vätska. Utsätt inte enheten för atmosfäriska förhållanden (regn, sol, etc.) eller användning vid förhållanden med hög luftfuktighet (badrum, fuktiga husbilar).
8. Kontrollera regelbundet nätkabelns tillstånd. Om nätsladden är skadad bör den bytas ut av en specialistverkstad för att undvika fara.
9. Använd inte apparaten med en skadad nätsladd eller om den har tappats eller skadats på något annat sätt eller om den inte fungerar korrekt. Reparera inte enheten själv eftersom det finns risk för elektrisk stöt. Ta den skadade enheten till ett lämpligt servicecenter för kontroll eller reparation. Alla reparationer får endast utföras av auktoriserade servicepunkter. Felaktigt utförda reparationer kan orsaka allvarlig fara för användaren.
10. Placera enheten på en sval, stabil yta, borta från heta köksapparater som: elektrisk spis, gasbrännare, etc.
11. Se till att ingenting blockerar luftinloppet och utloppet på enheten
12. Använd enheten endast på en jämn yta för att förhindra att kondensen spinner ut
13. För att ge ytterligare skydd rekommenderas det att installera en restströmsenhet (RCD) i den elektriska kretsen med en nominell restström som inte överstiger 30 mA. Fråga en elektriker för detta.
14. Rengör luftfiltret regelbundet. Rengöringsfrekvensen beror på luftens renhet.
15. När du har stängt av maskinen, vänta minst 5 minuter innan du slår på den igen.
16. För effektiv avfuktning bör ett gap på minst 20 cm användas mellan enhetens sidoväggar och de komprimerade möblerna eller gardinerna.
17. Spraya inte torktumblaren för att undvika risken för brand eller explosion
18. Placera inte avfuktaren nära värmeenheter för att använda husdelarna.
19. Ta bort vattnet som samlats upp i tanken. Att oavsiktligt dricka vatten eller använda det med andra människor kan orsaka sjukdom.

20. Stöder inte enheter med bakstycket borttaget på grund av rörliga och heta delar.
21. Använd inte något sätt för att utföra upptinings- eller driftsprocessen annat än de som rekommenderas av tillverkaren.
22. Enheten bör vara tillgänglig som en del av en permanent lista över antändningskällor, dvs utan öppen låga, utan en arbetsgasanordning eller utan en arbetsapparatvärmare.
23. Gör inte hål eller rök inte.
24. Observera att kyltillverkarna kanske inte innehåller doft.

Före första användningen:

1. Avfuktaren måste användas på en plan och stabil yta, hålla avstånd mellan enhet och andra föremål enligt bild 1 för att säkerställa lämplig effektivitet. Stäng alla fönster och dörrar i rummet du vill avfukta luften.
2. Använd inte avfuktaren och dräneringsslangen vid omgivningstemperatur under 0 ° C för att förhindra att vattnet fryser.
3. Använd inte avfuktaren utanför. Exponering för direkt solljus eller regn kan leda till överhettning, elektrisk stöt och eld.
4. Lägg inte vattentanken på avfuktaren för att undvika att vatten spill i enheten inuti och försämrar isoleringen.
5. Försök aldrig använda avfuktaren för speciellt bruk, till exempel avfuktning eller konservering av konstföremål eller liknande.
6. Använd inte avfuktaren där olja eller brännbar gas kan läcka ut. Använd inte enheten på platser som är kemiska.
7. För kontinuerlig dränering, se till att dräneringsslangen är korrekt inställd med lutning.
8. Var försiktig så att en värmeapparat inte utsätts för vinden från avfuktaren.
9. Använd inte avfuktaren som en stol eller en fotpall.
10. Ta inte bort flottörspaken från vattentanken.
11. Blockera inte luftintag och luftuttag.
12. Täck inte enheten med tvättade kläder.
13. Före kontinuerlig drift under lång tid krävs periodisk kontroll speciellt för luftreningsfiltret, dräneringsslangen eller liknande.
14. Anordningen ska installeras, användas och förvaras i ett rum med en golvyta större än 4 kvadratmeter och i ett rum med en väl ventilerad yta.
15. Stick aldrig in fingrarna, stavarna, i luftutloppet och inloppet.

Produktbeskrivning: AD7861 Luftavfuktare (bild 2)

- | | | |
|--------------------------------|---------------------------------------|-------------------|
| 1. Handtag för enkel transport | 2. Luftutlopp | 3. Ryggghus |
| 4. Kontrollpanel | 5. Luftintag | 6. Främre hölje |
| 7. Vattentank 2,0L | 8. Nätsladd | 9. Fot |
| 10. Avloppssläng | 11. Flyttfat | 12. Nätluftfilter |
| 13. Filtergaller | 14. Kontinuerlig vattendräneringsport | |

kontrollpanel

- | | |
|----------------------------------|--|
| A. Strömknapp | B. Önskad knapp för att minska luftfuktigheten |
| C. Önskad fuktighetsökningsknapp | D. Timerknapp 0-24 timmar |
| E. Timerindikator | F. Självavfrosthetsindikator |
| G. Kompressoraktivitetsindikator | H. Indikator för full vattentank |
| J. Digital "88"-indikator | |

Den digitala "88"-indikatorn (J) visar:

- vald önskad luftfuktighetsnivå inom området: 30-90 procent av relativ fuktighet (RH)
- timmar inom intervallet: 1-24, när du programmerar fördröjd start eller fördröjt stopp
- "LO" - betyder låg, när luftfuktigheten är lägre än 35 %
- "HI" - betyder hög, när luftfuktigheten är högre än 95 %,

ANVÄNDANDE

1. Anslut enheten.
2. Tryck på strömknappen (A) för att starta driften, den digitala "88"-indikatorn (J) kommer att tändas. Tryck på strömbrytaren (A) igen för att stoppa driften.
3. Tryck på botten (C) eller (D) för att ställa in önskad luftfuktighetsnivå i rummet, som kan ställas in från 30% till 90% med 5% intervall eller "CO".

Efter en tids arbete:

- när luftfuktigheten är lägre än den valda luftfuktigheten med 2 %, kommer kompressorn att stanna,
- när omgivningens luftfuktighet är lika med eller högre än den valda luftfuktigheten med 3 %, kommer kompressorn att starta om efter 3 minuters kompressorskyddstid.

4. TIMERFUNKTION

Tryck på timerknappen (D) är programmets tid:

- när enheten slås på för att ställa in funktionen för fördröjt stopp:

Genom att upprepade gånger trycka på timerknappen (D) ställer du in önskad tid, den kommer att cirkulera från 0-1-2.....23-24.

Tidsindikatorn (E) kommer att tändas. Enheten kommer att stoppa driften när önskad tid har gått.

- när enheten stängs av för att ställa in funktionen för fördröjd start:

Genom att upprepade gånger trycka på timerknappen (D) ställer du in önskad tid, den kommer att cirkulera från 0-1-2.....23-24.

Tidsindikatorn (E) kommer att tändas. Enheten startar när önskad tid har gått.

För att avbryta timerprogrammeringen, tryck timerknappen (D) till noll.

Den programmerade tiden förblir oförändrad om maskinen slutar arbeta på grund av full vattentank eller under självavfrostning.

5. AVLÖPNING AV VATTENTANK

När vattentanken (7) är full tänds indikatorn (H), driften stoppas automatiskt och summern piper 15 gånger för att varna användaren om att vattnet måste tömmas ur vattentanken (7). Titta på bilderna 4 och 5. Vattenavloppsproceduren är:

- Tryck lätt på sidorna av tanken (7) med båda händerna och dra försiktigt ut tanken.

- Häll ut det uppsamlade vattnet. Om vattentanken (7) är smutsig, tvätta den med kallt eller ljummet vatten.

ANMÄRKNING: Ta inte bort flottören (11) från vattentanken (7). Den inbyggda fullvattensensorn kommer inte längre att kunna detektera vattennivån korrekt utan flottören (11) och enheten kommer att stoppa driften.

- När du sätter tillbaka vattentanken (7), tryck fast tanken ordentligt med båda händerna. Om tanken inte är korrekt placerad kommer den inbyggda fullvattensensorn inte att aktiveras, så avfuktaren fungerar inte.

6. KONTINUERLIG VATTENAVLEDNINGSFUNKTION

När du ställer in fuktighetsnivån till "CO" på den digitala displayen (J), kommer kompressorn att gå kontinuerligt. Användaren kan:

6.a. anslut avloppsslangen (10)

Om användaren ansluter avloppsslangen (10), kommer vattnet att rinna ut kontinuerligt till diskho/badkar eller annan utvändig behållare som du kommer att ställa upp. Enheten har en kontinuerlig vattendraineringsport (14) - se bild 3. Du måste ta ut vattentanken (7) för att montera dräneringsslangen (10) till den kontinuerliga vattendraineringsöppningen (14). Dräneringsslangen (10) (med en innerdiameter på 10 mm) ska placeras på portens (14) dräneringshål som visas på bild 3. Vattnet kan kontinuerligt tömmas ut från porten (14).

6.b. anslut inte avloppsslangen (10).

Om användaren inte ansluter dräneringsslangen (10), kommer vattnet att rinna av till vattentanken (7). När vattentanken (7) är full kommer enheten att s

toppa driften automatiskt.

7. AUTOMATISK AVFROSTNINGSFUNKTION

När frost byggs upp på den inbyggda förångaren kommer kompressorn att stängas av och enheten går automatiskt in i självavfrostningsläge. Efter avslutad avfrostningsläge återgår enheten till de tidigare driftinställningarna. När enheten körs i ett rum med en temperatur mellan 5 grader Celsius och 12 grader Celsius går den in i självavfrostning ungefär var 30:e minut. När enheten körs i ett rum med en temperatur mellan 12 grader Celsius och 20 grader Celsius går den in i självavfrostning ungefär var 45:e minut.

Städning och underhåll

1. Stäng av enheten och dra ur strömkontakten innan du påbörjar någon rengöring eller annat rutinunderhåll.

2. För att undvika risken för elektriska stötar, strö eller spill aldrig vatten på avfuktaren vid rengöring.

3. Stäng av enheten och töm vattnet ur vattentanken innan du flyttar enheten. Var noga med att hålla i handtaget när du rör dig.

4. Torka av enhetens hölje med en våt trasa.

5. Demontera inte flottören (11) från vattentanken (7). För att rengöra vattentanken (7) använd inte rengöringsmedel, skursvampar, kemiskt behandlade dammtrasor, bensen, thinner eller andra lösningsmedel, eftersom dessa kan repa och skada tanken och orsaka vattenläckage.

6. Före planerad kontinuerlig drift under lång tid krävs periodisk kontroll, speciellt för nätlufffiltret (12) och avloppsslangen (10).

7. För att rengöra eller byta ut filtren bör:

- dra ur kontakten och ta ut vattentanken (7),

- ta bort gallret (13) som visas på bild 6,

- ta försiktigt bort nätlufffiltret (12) från filtergallret (13),

- Rengör filtret varannan vecka med en dammsugare. Kör en dammsugare lätt över lufffiltrets yta (12) för att ta bort smuts. Om lufffiltret (12) är extremt smutsigt, tvätta det med varmt vatten och ett mildt rengöringsmedel och torka ordentligt. Avfuktningens prestanda kan minska när filtret är igensatt med skräp.

- sätt in filtret i filtergallret och sätt tillbaka dem i enhetens hölje.

8. Rengör inte enheten med bensen, thinner eller flytande rengöringsmedel.

9. Lagring: när enheten inte används under en längre tid och du vill lagra den, notera följande steg:

- Töm eventuellt vatten kvar i vattentanken.

- Vik upp nätsladden (8) och sätt in den i vattentanken (7) inuti.

- Rengör nätlufffiltret (12).

- Förvaring på en sval och torr plats.

FELSÖKNING

Om ett tillstånd som anges nedan inträffar, kontrollera följande innan du ringer kundtjänst.

Problem 1: Enheten fungerar inte.

Möjlig orsak 1: Har nätsladden kopplats ur?

Lösning på problemet: Anslut nätsladden till eluttaget.

Möjlig orsak 2: Blinkar indikatorn för full vattentank (H)?

Lösning på problemet: Tanken är full eller i fel läge. Töm vattentanken (7) och placera sedan tillbaka tanken.

Möjlig orsak 3: Är temperaturen i rummet över 35 grader Celsius eller under 5 grader Celsius?

Lösning på problemet: Inbyggd skyddsanordning är aktiverad och avfuktaren kan inte startas i en rumstemperatur över 35 grader Celsius eller under 5 grader Celsius.

Problem 2: Avfuktningfunktionen fungerar inte

Möjlig orsak 1: Är nätlufffiltret (12) igensatt?

Lösningsproblem 1: Rengör lufffiltret enligt anvisningarna under "Rengöring och underhåll" – punkt 7.

Möjlig orsak 2: Är luftintaget (5) eller luftutloppet (2) blockerat?

Lösning på problemet: Ta bort hindret.

Problem 3: Ingen luft släpps ut.

Möjlig orsak 1: Är nätlufffiltret (12) igensatt?

Lösning på problemet: Rengör lufffiltret enligt anvisningarna under "Rengöring och underhåll" - punkt 7.

Problem 4: Driften är bullrig

Möjlig orsak 1: Är enheten lutad eller ostadigt placerad?

Lösning på problemet: Flytta enheten till en stabil, jämn, stadig yta.

Möjlig orsak 2: Är nätlufffiltret (12) igensatt?

Lösning på problemet: Rengör lufffiltret enligt anvisningarna under "Rengöring och underhåll" - punkt 7.

Problem 5: E1-koden visas på den digitala indikatorn (J)

Möjlig orsak 1: Kortslutning av spolsensor eller öppen krets

Lösning på problemet: Kontakta säljaren som utfärdade din köpnota.

TEKNISKT DATUM:

Avfuktningkapacitet vid 30°C / 80% RH: 10 liter / 24 timmar

Ljudnivå: <= 42dB(A)

Vattentankens kapacitet: 2,0 liter

Luftflöde: 150m³/timme

R290 kylvätska vikt: 45 gram

Nominell ineffekt: 280W

Strömförsörjning: 220-240V ~50Hz



Varning, risk för brand.

Få INTE genomborra eller bränna.

Tänk på att köldmediet kanske inte innehåller någon lukt.

Apparaten ska installeras, användas och förvaras i ett rum med en golvyta större än 4 m.².

Maximal mängd köldmedium: 45g.



Vi sköter om miljön. Överlämna förpackningar i kartong till pappersavfall. Polyetylensäckar (PE) slängs i avfallsbehållare för plast. Man bör lämna en gammal apparat till en riktig återvinningscentral, eftersom farliga komponenter i apparaten kan orsaka fara till miljön. En elektrisk apparat bör lämnas för att minska förnyad användning av denna. Om apparaten innehåller batterier, bör man ta bort dem och lämna dem separat till återvinningscentraler.

УКРАЇНСЬКА

ЗАГАЛЬНІ УМОВИ БЕЗПЕКИ

ВАЖЛИВІ ІНСТРУКЦІЇ З БЕЗКОШТОВНОСТІ ЧИТАЙТЕ ДУЖКО І ЗАБЕЗПЕЧЕННЯ ДЛЯ БУДУЩЕГО

1. Перш ніж користуватися пристроєм, прочитайте посібник з експлуатації та дотримуйтесь інструкцій, що містяться в ньому. Виробник не несе відповідальності за збитки, спричинені використанням пристрою всупереч його передбачуваному призначенню або неправильній експлуатації.
2. Пристрій призначений лише для домашнього використання. Не використовуйте для інших цілей, які не призначені за призначенням.
3. Пристрій слід підключати лише до розетки змінного струму із заземленим 220-240 В

~ 50 Гц. Для підвищення експлуатаційної безпеки кілька електричних пристроїв не повинні підключатися одночасно до одного ланцюга струму.

4. Будьте дуже обережні, коли користуєтесь пристроєм, коли діти поруч. Не дозволяйте дітям грати з пристроєм, не дозволяйте дітям або людям, незнайомим пристроєм, користуватися ним.

5. **ПОПЕРЕДЖЕННЯ:** Цим обладнанням можуть користуватися діти старше 8 років та люди з обмеженими фізичними, сенсорними або розумовими здібностями, або люди, які не мають досвіду чи знань щодо обладнання, якщо це робиться під наглядом відповідальної особи. Для їх безпеки або надано їм інформацію про безпечне користування пристроєм та знають про небезпеку його використання. Діти не повинні грати з обладнанням. Чищення та обслуговування приладу не повинно здійснюватися дітьми, якщо вони не перевищують 8 років і ці заходи проводяться під наглядом.

6. Завжди від'єднуйте шнур живлення, тримаючи розетку рукою після використання. НЕ тягніть за шнур живлення.

7. Не занурюйте кабель, вилку та весь пристрій у воду або будь-яку іншу рідину. Не піддавайте прилад атмосферним умовам (дощ, сонце тощо) і не використовуйте в умовах підвищеної вологості (ванні кімнати, вологі мобільні будинки).

8. Періодично перевіряйте стан шнура живлення. Якщо шнур живлення пошкоджений, його слід замінити в спеціалізованому ремонтному центрі, щоб уникнути небезпеки.

9. Не використовуйте прилад із пошкодженим шнуром живлення або якщо він був випав або пошкоджений будь-яким іншим способом або якщо він не працює належним чином. Не ремонтуйте пристрій самостійно, оскільки є ризик ураження електричним струмом. Віднесіть пошкоджений пристрій у відповідний сервісний центр для перевірки чи ремонту. Всі ремонти можуть проводити тільки авторизовані сервісні пункти. Неправильно виконаний ремонт може становити серйозну небезпеку для користувача.

10. Поставте прилад на прохолодну стійку поверхню, подалі від гарячих кухонних приладів, таких як: електрична плита, газовий конфорка тощо.

11. Переконайтесь, що ніщо не блокує вхід і вихід повітря в пристрій

12. Використовуйте пристрій лише на рівній поверхні, щоб запобігти розливу конденсату

13. Для забезпечення додаткового захисту доцільно встановити в електричному ланцюзі пристрій залишкового струму (RCD) з номінальним залишковим струмом, що не перевищує 30 мА. Запитайте про це електрика.

14. Регулярно чистіть повітряний фільтр. Частота очищення залежить від чистоти повітря.

15. Після вимкнення машини зачекайте принаймні 5 хвилин, перш ніж увімкнути її.

16. Для ефективного осушення повітря слід використовувати зазор не менше 20 см між бічними стінками приладів та стисненими меблями чи шторами.

17. Щоб уникнути небезпеки пожежі чи вибуху, не розпилюйте сушарку

18. Щоб використовувати деталі корпусу, не ставте осушувач біля опалювальних приладів.

19. Видаліть зібрану в бачку воду. Випадкове пиття води або вживання її з іншими людьми може спричинити захворювання.
20. Не підтримує пристрої із знятою задньою кришкою через рухомі та гарячі частини.
21. Не використовуйте жодних засобів для відтавання та експлуатації, окрім рекомендованих виробником.
22. Пристрій має бути доступним у складі постійного списку джерел займання, тобто без відкритого полум'я, без робочого газового пристрою або без нагрівача робочого пристрою.
23. Не проколюйте і не паліть.
24. Зверніть увагу, що виробники холодильників можуть не містити аромат.

Перед першим використанням:

1. Осушувач повинен використовуватися на рівній і стійкій поверхні, зберігати відстані між одиницею та іншими предметами відповідно до малюнка 1, щоб забезпечити належну ефективність. Закрийте всі вікна та двері кімнати, в якій ви хочете осушити повітря.
2. Щоб запобігти замерзанню води, не використовуйте осушувач і зливний шланг при температурі навколишнього середовища нижче 0 ° C
3. Не використовуйте осушувач зовні. Вплив прямих сонячних променів або дощу може призвести до перегріву, ураження електричним струмом і пожежі.
4. Не ставте резервуар з водою на осушувач, щоб уникнути потрапляння води в пристрій всередині і погіршити ізоляцію.
5. Ніколи не намагайтеся використовувати осушувач повітря для спеціального використання, наприклад, для зневоднення харчових продуктів або збереження предметів мистецтва тощо.
6. Не використовуйте осушувач повітря там, де може відбуватися витік нафти або горючих газів. Не використовуйте прилад у місцях, в яких потрапляють хімічні речовини.
7. Для постійного зливу переконайтеся, що зливний шланг встановлений правильно з ухилом.
8. Будьте уважні, щоб опалювальний прилад не піддавався вітру від осушувача повітря.
9. Не використовуйте осушувач повітря як стілець або підніжку.
10. Не знімайте важіль поплавця з ємності з водою.
11. Не перекривайте повітрязабірники та повітропроводи.
12. Не накривайте прилад пральним одягом.
13. Перед постійною експлуатацією протягом тривалої періодики необхідна періодична перевірка, особливо для фільтра очищення повітря, зливного шланга тощо.
14. Встановлення, експлуатація та зберігання приладу здійснюється в приміщенні площею більше 4 квадратних метрів та добре провітрюваному приміщенні.
15. Ніколи не вставляйте пальці, стрижні в отвори для випуску та входу повітря.

Опис продукту: AD7861 Осушувач повітря (малюнок 2)

- | | | |
|-----------------------------------|---------------------------------|---------------------------------|
| 1. Ручка для зручного перенесення | 2. Вихід повітря | 3. Задня частина корпусу |
| 4. Панель керування | 5. Повітрязабірник | 6. Передня панель |
| 7. Бак для води 2,0 л | 8. Шнур живлення | 9. Ніжка |
| 10. Зливний шланг | 11. Поплавковий умивальник | 12. Сітчастий повітряний фільтр |
| 13. Фільтруюча решітка | 14. Безперервний дренажний порт | |

панель управління

- | | |
|---|--|
| A. Кнопка живлення | B. Кнопка зменшення бажаної вологості |
| C. Кнопка бажаного збільшення вологості | D. Кнопка таймера 0-24 години |
| E. Індикатор таймера | F. Індикатор саморозморожування |
| G. Індикатор активності компресора | H. Індикатор повного резервуара для води |
| J. Цифровий індикатор «88». | |

Цифровий індикатор «88» (J) покаже:

- обраний бажаний рівень вологості в діапазоні: 30-90 відсотків відносної вологості (RH)
- години в діапазоні: 1-24, якщо ви програмуєте відкладений старт або відкладену зупинку
- «LO» – означає низьку, коли вологість навколишнього середовища нижче 35%
- "HI" - означає високу, коли вологість навколишнього середовища вище 95%,

ВИКОРИСТАННЯ

1. Підключіть пристрій до мережі.

2. Натисніть кнопку живлення (A), щоб почати роботу, засвітиться цифровий індикатор «88» (J). Натисніть кнопку живлення (A) ще раз, щоб зупинити роботу.

3. Натисніть нижню кнопку (C) або (D), щоб встановити бажаний рівень вологості в кімнаті, який можна встановити від 30% до 90% з інтервалом 5% або «CO».

Після періоду роботи:

- коли вологість навколишнього середовища буде нижчою за вибрану вологість на 2%, компресор зупиниться,

- коли вологість навколишнього середовища дорівнює або перевищує вибрану вологість на 3%, компресор перезапуститься один раз після закінчення 3-хвилинного часу захисту компресора.

4. ФУНКЦІЯ ТАЙМЕРА

Натисніть кнопку таймера (D), щоб запрограмувати час:

- коли пристрій увімкнено для налаштування функції відкладеної зупинки:

Повторним натисканням кнопки таймера (D) встановіть потрібний час, він буде циркулювати з 0-1-2.....23-24. Індикатор часу (E) засвітиться. Пристрій припинить роботу, коли пройде потрібний час.

- при вимкненому пристрої для налаштування функції відкладеного старту:

Повторним натисканням кнопки таймера (D) встановіть потрібний час, він буде циркулювати з 0-1-2.....23-24. Індикатор часу (E) засвітиться. Пристрій почне працювати, коли пройде потрібний час.

Щоб скасувати програмування таймера, натисніть кнопку таймера (D) до нуля.

Запрограмований час залишається незмінним, якщо машина перестає працювати через повний резервуар для води або під час саморозморожування.

5. ЗЛИВ РЕЗЕРВУАРУ ДЛЯ ВОДИ

Коли резервуар для води (7) заповниться, засвітиться індикатор (H), робота автоматично припиниться, а зумер подасть звуковий сигнал 15 разів, щоб попередити користувача про необхідність злити воду з резервуару для води (7). Подивіться на малюнки 4 і 5. Процедура зливу води така:

- Злегка натисніть обома руками на стінки резервуару (7) і обережно витягніть резервуар.

- Вилийте набрану воду. Якщо резервуар для води (7) забруднений, промийте його холодною або теплою водою.

ПРИМІТКА: Не знімайте поплавковий умивальник (11) з резервуару для води (7). Вбудований датчик повної води більше не зможе правильно визначити рівень води без поплавкового умивальника (11), і пристрій припинить роботу.

- Встановлюючи назад резервуар для води (7), міцно натисніть на резервуар двома руками. Якщо резервуар встановлено неправильно, вбудований датчик повної води не буде активований, тому осушувач не працюватиме.

6. ФУНКЦІЯ БЕЗПЕРЕРВНОГО ЗЛИВУ ВОДИ

Якщо на цифровому дисплеї (J) встановлено рівень вологості на «CO», компресор працюватиме безперервно. Користувач може:

6.a. підключити зливний шланг (10)

Якщо користувач під'єднає зливний шланг (10), вода безперервно зливатиметься до раковини/ванни чи іншого зовнішнього контейнера, який ви встановите. Пристрій має безперервний дренажний отвір (14) - дивіться на малюнок 3. Необхідно виїняти водяний резервуар (7), щоб приєднати зливний шланг (10) до безперервного дренажного отвору (14). Зливний шланг (10) (з внутрішнім діаметром 10 мм) слід надіти на зливний отвір порту (14), показаний на малюнку 3. Воду можна безперервно зливати з порту (14).

6.b. не підключайте зливний шланг (10).

Якщо користувач не приєднає зливний шланг (10), вода буде стікати в резервуар для води (7). Коли резервуар для води (7) заповниться, пристрій автоматично припинить роботу.

7. ФУНКЦІЯ АВТОМАТИЧНОГО РОЗМОРОЖУВАННЯ

Коли на вбудованому змійовику випарника накопичується іній, компресор вимкнеться, і пристрій автоматично перейде в режим саморозморожування. Після завершення режиму розморожування пристрій повернеться до попередніх робочих налаштувань. Коли пристрій працює в приміщенні з температурою від 5 градусів Цельсія до 12 градусів Цельсія, він буде входити в режим саморозморожування приблизно кожні 30 хвилин. Коли пристрій працює в приміщенні з температурою від 12 до 20 градусів за Цельсієм, він переходить у режим саморозморожування приблизно кожні 45 хвилин.

Очищення та технічне обслуговування

1. Вимкніть пристрій і від'єднайте вилку живлення перед початком будь-якого чищення чи іншого планового обслуговування.

2. Щоб уникнути ризику ураження електричним струмом, ніколи не бризкайте та не проливайте воду на осушувач під час очищення.

3. Перш ніж переміщати пристрій, вимкніть пристрій і вилийте воду з резервуару для води. Під час руху обов'язково тримайте за ручку.

4. Протріть корпус пристрою вологою тканиною.

5. Не знімайте поплавок (11) з резервуару для води (7). Щоб очистити резервуар для води (7), не використовуйте миючий засіб, губки для чищення, хімічно оброблені пилові тканини, бензин, бензол, розчинник або інші розчинники, оскільки вони можуть подряпати та пошкодити резервуар і спричинити витік води.

6. Перед запланованою безперервною роботою протягом тривалого часу необхідна періодична перевірка, особливо сітчастого повітряного фільтра (12) і зливного шланга (10).
7. Для очищення або заміни фільтрів необхідно:
- від'єднайте вилку та вийміть резервуар для води (7),
 - зніміть решітку (13), як показано на малюнку 6,
 - акуратно зніміть сітчастий повітряний фільтр (12) із сітки фільтра (13),
 - кожні два тижні очищайте фільтр за допомогою пилососа. Злегка проведіть пилососом по поверхні повітряного фільтра (12), щоб видалити бруд. Якщо повітряний фільтр (12) надзвичайно забруднений, промийте його теплою водою з м'яким миючим засобом і ретельно висушіть. Продуктивність осушення може знизитися, якщо фільтр забитий сміттям.
 - встановіть фільтр всередину фільтрувальної сітки та вставте їх назад у корпус пристрою.
8. Не очищайте пристрій бензином, розчинником або рідким миючим засобом.
9. Зберігання: якщо пристрій не використовується протягом тривалого періоду часу, і ви хочете його зберегти, зверніть увагу на наступні кроки:
- Злийте всю воду, що залишилася в резервуарі для води.
 - Зігніть шнур живлення (8) і покладіть його в резервуар для води (7).
 - Очистіть сітчастий повітряний фільтр (12).
 - Зберігання в прохолодному та сухому місці.

ВИРІШЕННЯ ПРОБЛЕМ

Якщо виникне перерахована нижче умова, будь ласка, перевірте наступні пункти, перш ніж телефонувати в службу підтримки клієнтів.

Проблема 1: пристрій не працює.

Можлива причина 1: шнур живлення від'єднано?

Рішення проблеми: Вставте шнур живлення в розетку.

Можлива причина 2: чи блимає індикатор повного резервуара для води (H)?

Рішення проблеми: Бак повний або в неправильному положенні. Спорожніть резервуар для води (7), а потім переставте резервуар.

Можлива причина 3: температура в кімнаті вище 35 градусів за Цельсієм або нижче 5 градусів за Цельсієм?

Вирішення проблеми: Вбудований захисний пристрій активується, і осушувач не може бути запущений при температурі в приміщенні вище 35 градусів Цельсія або нижче 5 градусів Цельсія.

Проблема 2: не працює функція осушення

Можлива причина 1: чи не засмічений сітчастий повітряний фільтр (12)?

Рішення проблеми 1: Очистіть повітряний фільтр, як зазначено в розділі «Очищення та технічне обслуговування» – пункт 7.

Можлива причина 2: Чи не засмічено повітряний отвір (5) або повітряний вихід (2)?

Рішення проблеми: усунути перешкоду.

Проблема 3: повітря не випускається.

Можлива причина 1: чи не засмічений сітчастий повітряний фільтр (12)?

Рішення проблеми: очистіть повітряний фільтр, як зазначено в розділі «Чищення та технічне обслуговування» - пункт 7.

Проблема 4: шум при роботі

Можлива причина 1. Пристрій нахилений або знаходиться в нестабільному положенні?

Рішення проблеми: перемістіть пристрій на стійку, рівну, міцну поверхню.

Можлива причина 2: Чи не засмічений сітчастий повітряний фільтр (12)?

Рішення проблеми: очистіть повітряний фільтр, як зазначено в розділі «Чищення та технічне обслуговування» - пункт 7.

Проблема 5: Код E1, показаний на цифровому індикаторі (J)

Можлива причина 1: Коротке замикання або розрив ланцюга датчика котушки

Рішення проблеми: Зверніться до продавця, який виставив вам рахунок.

ТЕХНІЧНА ДАТА:

Потужність осушення при 30°C / 80% відносної вологості): 10 літрів / 24 години

Рівень шуму: <= 42dB(A)

Ємність бака для води: 2,0 л

Потік повітря: 150 м3/год

Вага охолоджуючої рідини R290: 45 грам

Номинальна споживана потужність: 280 Вт

Живлення: 220-240В ~50Гц



Обережно, небезпека пожежі.

НЕ проколуйте та не спалюйте.

Майте на увазі, що холодоагент може не мати запаху.

Встановлювати, експлуатувати та зберігати пристрій слід у приміщенні площею більше 4 м².

Максимальний об'єм заправки холодоагенту: 45 г.



У интересах навколишнього середовища.

Будь ласка, віддайте картонну упаковку в місце збору мукулатури. Політиленові мішки (PE) викинути в смітник для пластику. Відпрацьований пристрій повинен бути відправлений у відповідну точку зберігання, тому що в пристрої є небезпечні інгредієнти, які можуть становити загрозу навколишньому середовищу. Електричний пристрій потрібно повернути так, щоб обмежити його повторне використання. Якщо у пристрої є батарейки, то потрібно їх витягнути і віддати до відповідного пункту.

македонски

ОПШТИ УСЛОВИ ЗА БЕЗБЕДНОСТ

ВАНИ ИНСТРУКЦИИ ЗА БЕЗБЕДНОСТ ПРОЧИТАЈТЕ Внимателно и заштедете за ИДНИНА

1. Пред да го користите уредот, прочитајте го упатството за работа и следете ги упатствата содржани во него. Производителот не одговара за штети предизвикани од користење на уредот спротивно на наменетата намена или неправилно работење.
2. Уредот е само за домашна употреба. Не користете за други цели што не се за наменетата цел.
3. Уредот треба да се поврзе само со штекер за напојување со заземјен 220 240V ~ 50Hz. За да се зголеми безбедноста во работењето, повеќе електрични уреди не треба да бидат поврзани со едно струјно коло во исто време.
4. Користете голема претпазливост кога го користите уредот кога децата се во близина. Не дозволувајте децата да си играат со уредот, не дозволувајте деца или луѓе кои не се запознати со уредот да го користат.
5. ПРЕДУПРЕДУВАЕ: Оваа опрема може да ја користат деца над 8 години и лица со ограничена физичка, сензорна или ментална способност, или луѓе кои немаат искуство или познавање на опремата, доколку тоа е направено под надзор на одговорно лице за нивната безбедност или им е дадена информација за безбедно користење на уредот и се свесни за опасностите од неговото користење. Децата не треба да си играат со опрема. Чистењето и одржувањето на уредот не треба да го вршат деца, освен ако не се над 8 години и овие активности се вршат под надзор.
6. Секогаш исклучувајте го приклучокот за напојување со држење на штекерот со раката по употребата. НЕ влечете го кабелот за напојување.
7. Не го потовајте кабелот, приклучокот и целиот уред во вода или друга течност. Не го изложувајте го уредот на атмосферски услови (дожд, сонце и слично) или користете во услови на висока влажност (бањи, влажни домови за мобилни телефони).
8. Периодично проверувајте ја состојбата на кабелот за напојување. Ако кабелот за напојување е оштетен, тој треба да се замени со специјализирана продавница за поправка за да се избегне опасност.
9. Не користете го апаратот со оштетен кабел за напојување или ако е испуштен или оштетен на кој било друг начин или ако не работи правилно. Не поправајте го уредот сами, бидејќи постои опасност од електричен удар. Понесете го оштетениот уред во соодветен сервисен центар за проверка или поправка. Сите поправки може да ги извршуваат само овластени сервисни точки. Неправилно извршените поправки можат да предизвикаат сериозна опасност за корисникот.

10. Поставете го уредот на ладна, стабилна површина, подалеку од топли кујнски уреди како што се: електричен шпорет, горилник за гас, итн.
11. Осигурете се дека ништо не го блокира влезот на воздухот и излезот на уредот
12. Користете го уредот само на рамна површина за да спречите излевање на кондензацијата
13. За да се обезбеди дополнителна заштита, препорачливо е да се инсталира уред за преостаната струја (RCD) во електричното коло со номинална преостаната струја што не надминува 30mA. За ова прашајте електричар.
14. Редовно чистете го филтерот за воздух. Фреквенцијата на чистење зависи од чистотата на воздухот.
15. Откако ќе ја исклучите машината, почекајте најмалку 5 минути пред да ја вклучите повторно.
16. За ефикасно дехидрирање, треба да се користи празнина од најмалку 20 см помеѓу страничните wallsидови на уредите и компресируваниот мебел или завесите.
17. За да избегнете ризик од пожар или експлозија, не испрскајте ја фен
18. За да ги користите деловите за куќиште, не ставајте го дехидрирачот близу уреди за греење.
19. Извадете ја собраната вода во резервоарот. Случајно да се пие вода или да се користи со други луѓе може да предизвика болести.
20. Не поддржува уреди со отстранување на задниот поклопец заради подвижните и топли делови.
21. Не користете средства за да го извршите процесот на одмрзнување или работење, освен оние што ги препорача производителот.
22. Уредот треба да биде достапен како дел од постојан список на извори на палење, т.е. без отворен пламен, без уред за работа со гас или без грејач за работа.
23. Не пирснувај и не пуши.
24. Забележете дека производителите на ладење може да не содржат мирис.

Пред првата употреба:

1. Овластувачот мора да се користи на рамна и стабилна површина, да одржува растојанија помеѓу единицата и другите предмети според слика 1 за да се обезбеди соодветна ефикасност. Затворете ги сите прозорци и вратите од просторијата што сакате да ги дехидрирате воздухот.
2. За да спречите замрзнување на водата, не употребувајте го раздвојувачот и цревото за одвод на околна температура под 0 ° C
3. Не користете го одвлажнувачот надвор. Изложеноста на директна сончева светлина или дожд може да резултира во прегревање, електричен удар и пожар.
4. Не ставајте резервоар за вода на водата за дезинфекција за да избегнете истурање вода во единицата внатре и да ја влоши изолацијата.
5. Никогаш не обидувајте се да го користите дехидрификаторот за специјални намени, на пример, сушење храна или зачувување на уметнички предмети или слично.
6. Не употребувајте го раздвојувачот кога може да се случи истекување на нафта или запалив гас. Не користете ја единицата на места што подлежат на хемикалии.
7. За континуирано одводнување, проверете дали цревото за одвод е поставено правилно со наклон.
8. Бидете внимателни дека апаратот за греење не е изложен на ветрот од задушувачот.
9. Не користете го дехидрирачот како стол или подножје.
10. Не отстранувајте ја рачката на плови од резервоарот за вода.
11. Не блокирајте ги влезовите на воздухот и излезите на воздухот.
12. Не покривајте ја единицата со измена облека.
13. Пред континуирано работење за долго време, потребно е периодично проверување особено за филтерот за чист воздух, цревото за одвод или слично.

14. Уредот се поставува, работи и се чува во просторија со површина поголема од 4 метри квадратни и во просторија со добро проветрена површина.

15. Никогаш не ставајте ги прстите, шипките, во излезот и влезот за воздух.

Опис на производот: AD7861 Одвлажнувач на воздух (слика 2)

- | | | |
|---------------------------|---|---------------------------|
| 1. Рачка за лесно носење | 2. Излез за воздух | 3. Задно куќиште |
| 4. Контролна табла | 5. Влез за воздух | 6. Предно куќиште |
| 7. Резервоар за вода 2.0L | 8. Кабел за напојување | 9. Нога |
| 10. Црево за одвод | 11. Лејд за пливаче | 12. Нето филтер за воздух |
| 13. Решетка за филтрирање | 14. Континуирана порта за одвод на вода | |

контролен панел

- | | |
|--|---|
| A. Копче за вклучување | B. Копче за намалување на саканата влажност |
| B. Копче за зголемување на посакуваната влажност | D. Копче за тајмер 0-24 часа |
| E. Индикатор за тајмер | F. индикатор за самоодмрзнување |
| G. Индикатор за активност на компресорот | H. Индикатор за полн резервоар за вода |
| J. Дигитален индикатор „88“. | |

Дигиталниот индикатор „88“ (J) ќе покаже:

- избрано посакувано ниво на влажност во опсег: 30-90 проценти од релативната влажност (RH)
- часови во опсег: 1-24, кога програмите одложен почеток или одложено запирање
- „LO“ – значи ниска, кога влажноста на околината е помала од 35%
- „HI“ - значи висока, кога влажноста на околината е повисока од 95%,

КОРИСТЕЊЕ

1. Приклучете го уредот.
2. Притиснете го копчето за вклучување (A) за да започнете со работа, дигиталниот индикатор „88“ (J) ќе се запали. Притиснете го копчето за вклучување (A) повторно за да ја прекинете работата.
3. Притиснете го дното (C) или (D) за да го поставите саканото ниво на влажност во просторијата, кое може да се постави од 30% до 90% во интервали од 5% или „CO“.

По одреден период на работа:

- кога влажноста на околината е помала од избраната за 2%, компресорот ќе престане,
- кога влажноста на околината е еднаква или повисока од избраната влажност за 3%, компресорот ќе се рестартира еднаш во текот на 3-минутното време за заштита на компресорот.

4. ФУНКЦИЈА НА ТАЈМЕРОТ

Притиснете го копчето за тајмер (D) е програмата за времето:

- кога уредот е вклучен за да се постави функцијата за одложено стопирање:

Постојано притискање на копчето на тајмерот (D) приспособете го саканото време, тој ќе циркулира од 0-1-2.....23-24.

Индикаторот за време (E) ќе светне. Уредот ќе престане да работи кога ќе помине посакуваното време.

- кога уредот е исклучен за да се постави функцијата за одложен почеток:

Постојано притискање на копчето на тајмерот (D) приспособете го саканото време, тој ќе циркулира од 0-1-2.....23-24.

Индикаторот за време (E) ќе светне. Уредот ќе започне со работа кога ќе помине посакуваното време.

За да го откажете програмирањето на тајмерот, притиснете го копчето за тајмер (D) на нула.

Програмираното време останува непроменето ако машината престане да работи поради полн резервоар за вода или за време на самоодмрзнување.

5. ОДВЕДУВАЊЕ НА РЕЗЕРВОР ЗА ВОДА

Кога резервоарот за вода (7) е полн, индикаторот (H) свети, операцијата автоматски ќе престане и звучникот ќе сигнализира 15 пати за да го предупреди корисникот дека водата треба да се испразни од резервоарот за вода (7). Погледнете ги сликите 4 и 5.

Постапката за одведување вода е:

- Лесно притиснете ги страните на резервоарот (7) со двете раце и нежно извлечете го резервоарот.

- Истурете ја собраната вода. Ако резервоарот за вода (7) е валкан, измијте го со ладна или млека вода.

ЗАБЕЛЕШКА: Не вадете ја пливачката преграда (11) од резервоарот за вода (7). Вградениот сензор за полна вода веќе нема да може правилно да го детектира нивото на водата без пливачкиот лавер (11) и уредот ќе престане да работи.

- Кога го враќате резервоарот за вода (7), цврсто притиснете го резервоарот на своето место со двете раце. Ако резервоарот не е правилно поставен, вградениот сензор за полна вода нема да се активира, така што одвлажнувачот нема да работи.

6. КОНТИНУИРАНА ФУНКЦИЈА НА ОДВЕДУВАЊЕ НА ВОДАТА

Кога го поставувате нивото на влажност на „CO“ на дигиталниот екран (J), компресорот ќе работи постојано. Корисникот може:

6.a. поврзете го одводното црево (10)

Ако корисникот го поврзе одводното црево (10), водата постојано ќе истекува до мијалник/када или друг надворешен контејнер што ќе го поставите. Уредот има приклучок за континуирано одводнување на вода (14) - погледнете ја сликата 3. Потребно е да се

извади резервоарот за вода (7) за да се собере одводното црево (10) на отворот за континуирано одводнување на вода (14). Цревото за одвод (10) (со внатрешен дијаметар од 10 mm) треба да се стави на отворот за одвод на приклучокот (14) прикажан на слика 3. Водата може постојано да се испушта од отворот (14).

6.б. не поврзувајте го одводното црево (10).

Ако корисникот не го поврзе одводното црево (10), водата ќе се исцеди во резервоарот за вода (7). Кога резервоарот за вода (7) е полн, уредот автоматски ќе престане да работи.

7. ФУНКЦИЈА ЗА АВТОМАТСКО ОДМРЗНУВАЊЕ

Кога ќе се акумулира мраз на вградениот калем на испарувачот, компресорот ќе се исклучи и уредот автоматски ќе премине во режим на самоодмрзнување. По завршувањето на режимот на одмрзнување, уредот ќе се врати на претходно оперативните поставки. Кога уредот работи во просторија со температура помеѓу 5 степени Целзиусови и 12 Целзиусови степени, тој ќе влезе во режим на самоодмрзнување приближно на секои 30 минути. Кога уредот работи во просторија со температура помеѓу 12 степени Целзиусови и 20 Целзиусови степени, тој ќе влезе во режим на самоодмрзнување приближно на секои 45 минути.

Чистење и одржување

1. Исклучете го уредот и исклучете го приклучокот за напојување пред да започнете со какво било чистење или друго рутинско одржување.

2. За да избегнете ризик од електричен удар, никогаш не прскајте или истурајте вода на одвлажнувачот кога чистите.

3. Исклучете го уредот и испразнете ја водата од резервоарот за вода пред да го преместите уредот. Задолжително држете се за рачката додека се движите.

4. Избришете го кукиштето на уредот со влажна крпа.

5. Не расклопувајте го пливачот (11) од резервоарот за вода (7). За чистење на резервоарот за вода (7) не користете детергент, перничина за чистење, хемиски обработени крпи за прашина, бензин, бензен, разредувач или други растворувачи, бидејќи тие може да го изгребат и оштетат резервоарот и да предизвикаат истекување на вода.

6. Пред планираното континуирано работење долго време, потребно е периодично проверување особено за нето филтерот за воздух (12) и одводното црево (10).

7. За чистење или замена на филтрите треба:

- исклучете го приклучокот и извадете го резервоарот за вода (7),

- извадете ја решетката (13) како што е прикажано на слика 6,

- извадете го нежно мрежниот филтер за воздух (12) од решетката на филтерот (13),

- чистете го филтерот на секои две недели со правосмукалка. Поминете ја правосмукалната лесно преку површината на филтерот за воздух (12) за да ја отстраните нечистотијата. Ако филтерот за воздух (12) е исклучително валкан, измијте го со топла вода и благо средство за чистење и исушете го темелно. Перформансите на одвлажнување може да се намалат кога филтерот е затнат со остатоци.

- ставете го филтерот во решетката на филтерот и соберете ги назад во кукиштето на уредот.

8. Не чистете го уредот со бензин, разредувач или течен детергент.

9. Складирање: кога уредот не се користи подолг временски период и сакате да го складирате, забележете ги следните чекори:

- Испразнете ја водата што останала во резервоарот за вода.

- Преклопете го кабелот за напојување (8) и ставете го во резервоарот за вода (7) внатре.

- Исчистете го мрежниот филтер за воздух (12).

- Складирање на ладно и суво место.

РЕШАЊЕ НА ПРОБЛЕМИ

Ако се појави состојба наведена подолу, проверете ги следните ставки пред да ја повикате службата за корисници.

Проблем 1: Уредот не работи.

Можна причина 1: Дали е исклучен кабелот за напојување?

Решение на проблемот: Приклучете го кабелот за напојување во штекерот.

Можна причина 2: Дали трепка индикаторот за полн резервоар за вода (H)?

Решение на проблемот: Резервоарот е полн или во погрешна положба. Испразнете го резервоарот за вода (7), а потоа повторно позиционирајте го резервоарот.

Можна причина 3: Дали температурата во просторијата е над 35 Целзиусови степени или под 5 Целзиусови степени?

Решение на проблемот: Вградениот заштитен уред се активира и одвлажнувачот не може да се стартува на температура во просторијата над 35 Целзиусови степени или под 5 Целзиусови степени.

Проблем 2: Функцијата за одвлажнување не работи

Можна причина 1: Дали нето филтерот за воздух (12) е затнат?

Решение проблем 1: Исчистете го филтерот за воздух како што е наведено во „Чистење и одржување“ – точка 7.

Можна причина 2: Дали влезот на воздухот (5) или излезот на воздухот (2) е попречен?

Решение на проблемот: Отстранете ја опструкцијата.

Проблем 3: Не се испушта воздух.

Можна причина 1: Дали нето филтерот за воздух (12) е затнат?

Решение на проблемот: Исчистете го филтерот за воздух како што е наведено во „Чистење и одржување“ - точка 7.

Проблем 4: Работата е бучна

Можна причина 1: Дали уредот е наведнат или нестабилно поставен?

Решение на проблемот: поместете го уредот на стабилна, рамна, цврста површина.

Можна причина 2: Дали нето филтерот за воздух (12) е затнат?

Решение на проблемот: Исчистете го филтерот за воздух како што е наведено во „Чистење и одржување“ - точка 7.

Задача 5: Кодот E1 прикажан на дигиталниот индикатор (J)

Можна причина 1: Куса врска или отворен спој на сензорот за серпентина

Решение на проблемот: Контактирајте со продавачот кој ви ја издал сметката за купување.

ТЕХНИЧКИ ДАТУМ:

Капацитет за одвлажнување на 30°C / 80% RH): 10 литри / 24 часа

Ниво на бучава: <= 42 dB(A)

Капацитет на резервоарот за вода: 2,0 литри

Проток на воздух: 150 м³/час

Тежина на течноста за ладење R290: 45 грама

Номинална влезна моќност: 280W

Напојување: 220-240V ~50Hz



Внимание, ризик од пожар.

НЕ прободете или изгорувајте.

Внимавајте дека ладилното средство може да не содржи мирис.

Уредот треба да се инсталира, ракува и складира во просторија со подна површина поголема од 4 м.².



Се грижime за природната средина. Картонските паковки молиме да се наменат за рециклирање. Полиетиленовите кеси (PE) да се фрлат во контејнер за пластика. Искористениот уред треба да се предаде во соодветниот складирачки пункт, бидејќи небезбедните состојки кои се наоѓаат во уредот можат да бидат загрозување за средината. Електричниот уред треба да се предаде на начин кој ќе оневозможи негова повторна употреба и искористување. Доколку во уредот има батерии, треба да се извадат и посебно да се предадат во складирачкиот пункт.

SLOVENSKY

VŠEOBECNÉ BEZPEČNOSTNÉ PODMIENKY DÔLEŽITÉ BEZPEČNOSTNÉ POKYNY ČÍTAJTE POZORNE A ULOŽTE DO BUDÚCNOSTI

1. Pred použitím zariadenia si prečítajte návod na obsluhu a postupujte podľa pokynov v ňom uvedených. Výrobca nezodpovedá za škody spôsobené používaním zariadenia v rozpore s jeho určeným účelom alebo nesprávnou obsluhou.
2. Zariadenie je určené iba na domáce použitie. Nepoužívajte na iné účely, než na ktoré sú určené.
3. Zariadenie by malo byť pripojené iba k sieťovej zásuvke s uzemneným 220 240 V ~50Hz. Z dôvodu zvýšenia prevádzkovej bezpečnosti by viac elektrických zariadení nemalo byť pripojené k jednému prúdovému obvodu súčasne.
4. Pri používaní zariadenia, keď sú deti v blízkosti, buďte veľmi opatrní. Nedovoľte deťom hrať sa so zariadením, nedovoľte deťom ani osobám oboznámeným so zariadením používať.
5. **VÝSTRAHA:** Toto zariadenie môžu používať deti staršie ako 8 rokov a ľudia s obmedzenými fyzickými, zmyslovými alebo mentálnymi schopnosťami alebo ľudia, ktorí nemajú skúsenosti s týmto vybavením, ak sa to deje pod dohľadom zodpovednej osoby. pre svoju bezpečnosť alebo im boli poskytnuté informácie o bezpečnom používaní pomôcky a sú si vedomí nebezpečenstva pri jej používaní. Deti by sa s týmto zariadením nemali hrať. Čistenie a údržba prístroja by nemali vykonávať deti, pokiaľ nie sú staršie ako 8 rokov a tieto činnosti sa vykonávajú pod dohľadom.
6. Po použití vždy odpojte sieťovú zástrčku tak, že budete držať zásuvku rukou.

NEVYŤAHUJTE napájací kábel.

7. Kábel, zástrčku a celé zariadenie neponárajte do vody ani inej kvapaliny. Nevystavujte zariadenie poveternostným vplyvom (dážď, slnko atď.) Ani ho nepoužívajte v podmienkach vysokej vlhkosti (kúpeľne, vlhké mobilné domy).

8. Pravidelne kontrolujte stav napájacieho kábla. Ak je napájací kábel poškodený, mal by sa vymeniť v odbornom servise, aby sa predišlo nebezpečenstvu.

9. Nepoužívajte spotrebič s poškodeným napájacím káblom alebo ak spadol alebo je poškodený iným spôsobom alebo ak nefunguje správne. Neopravujte prístroj sami, mohlo by dôjsť k úrazu elektrickým prúdom. Poškodené zariadenie odneste na kontrolu alebo opravu do príslušného servisného strediska. Všetky opravy smie vykonávať iba autorizovaný servis. Nesprávne vykonané opravy môžu pre používateľa predstavovať vážne nebezpečenstvo.

10. Zariadenie umiestnite na chladný a stabilný povrch, mimo dosahu horúcich kuchynských spotrebičov, ako sú: elektrický sporák, plynový horák atď.

11. Skontrolujte, či nič neblokuje vstup a výstup vzduchu zo zariadenia

12. Používajte zariadenie iba na rovnom povrchu, aby sa zabránilo vyliatiu kondenzátu

13. Na zabezpečenie dodatočnej ochrany sa odporúča nainštalovať do elektrického obvodu zariadenie na zvyškový prúd (RCD) s menovitým zvyškovým prúdom nepresahujúcim 30 mA. Požiadajte o to elektrikára.

14. Pravidelne čistite vzduchový filter. Frekvencia čistenia závisí od čistoty vzduchu.

15. Po vypnutí stroja počkajte aspoň 5 minút, kým ho znova zapnete.

16. Na účinné odvlhčovanie by sa mala medzi bočnými stenami zariadení a stlačeným nábytkom alebo záclonami použiť medzera najmenej 20 cm.

17. Aby ste predišli riziku požiaru alebo výbuchu, nestriekajte sušičku

18. Aby ste mohli používať časti krytu, neumiestňujte odvlhčovač do blízkosti vykurovacích zariadení.

19. Odstráňte vodu zhromaždenú v nádrži. Náhodná pitie vody alebo jej používanie s inými ľuďmi môže spôsobiť ochorenie.

20. Nepodporuje zariadenia s odstráneným zadným krytom z dôvodu pohyblivých a horúcich častí.

21. Na rozmrazovanie alebo prevádzkový proces nepoužívajte žiadne iné prostriedky ako tie, ktoré odporúča výrobca.

22. Zariadenie by malo byť k dispozícii ako súčasť trvalého zoznamu zdrojov zapálenia, t. J. Bez otvoreného plameňa, bez pracovného plynového zariadenia alebo bez ohrievača pracovného zariadenia.

23. Neprepichujte ani nefajčite.

24. Vezmite prosím na vedomie, že výrobcovia chladiacich nápojov nesmú obsahovať vôňu.

Pred prvým použitím:

1. Odvlhčovač sa musí používať na rovnom a stabilnom povrchu, udržiavať odstupy medzi jednotkou a ostatnými objektmi podľa obrázku 1, aby sa zabezpečila primeraná účinnosť. Zatvorte všetky okná a dvere miestností, ktorú chcete zbaviť vzduchu.

2. Aby ste zabránili zamrznutiu vody, nepoužívajte odvlhčovač a vypúšťaciu hadicu pri teplote okolia pod 0 ° C.
3. Nepoužívajte odvlhčovač vonku. Vystavenie priamemu slnečnému žiareniu alebo dažďu môže spôsobiť prehriatie, zásah elektrickým prúdom a požiar.
4. Na odvlhčovač vzduchu neumiestňujte nádrž na vodu, aby ste predišli akémukoľvek úniku vody do jednotky vo vnútri a poškodili izoláciu.
5. Nikdy sa nepokúšajte použiť odvlhčovač na špeciálne účely, ako je napríklad odvlhčovanie potravín alebo ochrana umeleckých predmetov a podobne.
6. Nepoužívajte odvlhčovač tam, kde môže dôjsť k úniku oleja alebo horľavého plynu. Nepoužívajte prístroj na miestach, ktoré sú vystavené chemikáliám.
7. Pre trvalé vypúšťanie skontrolujte, či je odtoková hadica správne nastavená so sklonením.
8. Dajte pozor, aby vyukrovacie zariadenie nebolo vystavené vetru z odvlhčovača.
9. Nepoužívajte odvlhčovač ako stoličku alebo podnožku.
10. Nevyberajte plavákovú páku z nádrže na vodu.
11. Neblokujte prívody vzduchu a výstupy vzduchu.
12. Nezakrývajte jednotku umytým odevom.
13. Pred dlhotrvajúcou nepretržitou prevádzkou sa vyžaduje pravidelná kontrola, najmä pre vzduchový filter, odtokovú hadicu a podobne.
14. Zariadenie sa inštaluje, prevádzkuje a skladuje v miestnosti s podlahovou plochou väčšou ako 4 metre štvorcové a v miestnosti s dobre vetraným priestorom.
15. Nikdy nevkładajte prsty, tyče, do výstupu a vstupu vzduchu.

Popis produktu: AD7861 Odvlhčovač vzduchu (obrázok 2)

- | | | |
|--------------------------------|--------------------------|------------------------------|
| 1. Rukoväť na ľahké prenášanie | 2. Výstup vzduchu | 3. Zadný kryt |
| 4. Ovládací panel | 5. Vstup vzduchu | 6. Predný kryt |
| 7. Nádrž na vodu 2,0L | 8. Napájací kábel | 9. Noha |
| 10. Vypúšťacia hadica | 11. Plavák | 12. Sieťový vzduchový filter |
| 13. Filtračná mriežka | 14. Priebežný odtok vody | |

ovládací panel

- | | |
|---|---|
| A. Tlačidlo napájania | B. Tlačidlo zníženia požadovanej vlhkosti |
| C. Tlačidlo zvýšenia požadovanej vlhkosti | D. Tlačidlo časovača 0-24 hodín |
| E. Indikátor časovača | F. Indikátor samorozmrazovania |
| G. Indikátor činnosti kompresora | H. Indikátor plnej nádrže na vodu |
| J. Digitálny indikátor „88“. | |

Digitálny indikátor „88“ (J) zobrazí:

- zvolená požadovaná úroveň vlhkosti v rozsahu: 30-90 percent relatívnej vlhkosti (RH)
- hodiny v rozsahu: 1-24, keď naprogramujete odložený štart alebo odložené zastavenie
- „LO“ – znamená nízku, keď je vlhkosť prostredia nižšia ako 35 %
- „HI“ - znamená vysokú, keď je vlhkosť prostredia vyššia ako 95%,

POUŽITIE

1. Zapojte zariadenie.
2. Stlačením tlačidla napájania (A) spustíte prevádzku, rozsvieti sa digitálny indikátor „88“ (J). Opätovným stlačením tlačidla napájania (A) zastavíte prevádzku.
3. Stlačením spodnej časti (C) alebo (D) nastavte požadovanú úroveň vlhkosti v miestnosti, ktorú je možné nastaviť od 30 % do 90 % v 5 % intervaloch alebo „CO“.

Po období práce:

- keď je vlhkosť prostredia nižšia ako nastavená vlhkosť o 2 %, kompresor sa zastaví,
- keď je vlhkosť prostredia rovná alebo vyššia ako zvolená vlhkosť o 3 %, kompresor sa reštartuje po uplynutí 3-minútovej doby ochrany kompresora.

4. FUNKCIA ČASOVAČA

Stlačením tlačidla časovača (D) sa naprogramuje čas:

- keď je zariadenie zapnuté, aby ste nastavili funkciu oneskoreného zastavenia:
- Opakovaným stlačením tlačidla časovača (D) nastavte požadovaný čas, bude cirkulovať od 0-1-2.....23-24. Indikátor času (E) sa rozsvieti. Zariadenie zastaví prevádzku, keď uplynie požadovaný čas.
- keď je zariadenie vypnuté, aby ste nastavili funkciu odloženého štartu:
- Opakovaným stlačením tlačidla časovača (D) nastavte požadovaný čas, bude cirkulovať od 0-1-2.....23-24. Indikátor času (E) sa rozsvieti. Zariadenie sa spustí po uplynutí požadovaného času.
- Ak chcete zrušiť programovanie časovača, stlačte tlačidlo časovača (D) na nulu.
- Naprogramovaný čas zostane nezmenený, ak práčka prestane pracovať kvôli plnej nádrži na vodu alebo počas samorozmrazovania.

5. VYPÚŠŤANIE VODY

Keď je nádrž na vodu (7) plná, rozsvieti sa indikátor (H), prevádzka sa automaticky zastaví a bzučiak 15-krát pípne, aby upozornil

používateľa, že je potrebné vypustiť vodu z nádržky na vodu (7). Pozrite si obrázky 4 a 5. Postup odvádzania vody je:

- Oboma rukami zľahka zatlačte na boky nádrže (7) a nádržku jemne vytiahnite.

- Nazbieranú vodu vylejte. Ak je nádržka na vodu (7) špinavá, umyte ju studenou alebo vlažnou vodou.

POZNÁMKA: Nevýberajte plavák (11) z vodnej nádrže (7). Zabudovaný senzor plnej vody už bez plavákového lavóra (11) nedokáže správne zistiť hladinu vody a zariadenie sa zastaví.

- Pri vkladaní nádržky na vodu (7) ju pevne zatlačte na miesto oboma rukami. Ak nádrž nie je správne umiestnená, zabudovaný senzor plnej vody sa neaktivuje, takže odvlhčovač nebude fungovať.

6. FUNKCIA KONTINUÁLNEHO ODVODU VODY

Keď nastavíte úroveň vlhkosti na „CO“ na digitálnom displeji (J), kompresor bude bežať nepretržite. Používateľ môže:

6.a. pripojiť vypúšťaciu hadicu (10)

Ak používateľ pripojí odtokovú hadicu (10), voda bude nepretržite odtekať do umývadla/vane alebo inej vonkajšej nádoby, ktorú nastavíte.

Zariadenie je vybavené kontinuálnym otvorom na odtok vody (14) – pozrite si obrázok 3. Je potrebné vybrať nádrž na vodu (7), aby ste namontovali vypúšťaciu hadicu (10) do otvoru na nepretržitý odtok vody (14). Odtoková hadica (10) (s vnútorným priemerom 10 mm) by mala byť nasadená na vypúšťací otvor portu (14) zobrazený na obrázku 3. Voda môže byť nepretržite vypúšťaná z portu (14).

6.b. nepripájajte vypúšťaciu hadicu (10).

Ak používateľ nepripojí odtokovú hadicu (10), voda odtečie do nádržky na vodu (7). Keď je nádrž na vodu (7) plná, zariadenie automaticky zastaví prevádzku.

7. FUNKCIA AUTOMATICKÉHO ROZMRAZOVANIA

Keď sa na zabudovanej výparníkovej špirále vytvorí námraza, kompresor sa vypne a zariadenie automaticky prejde do režimu samorozmrazovania. Po dokončení režimu odmrázovania sa zariadenie vráti k predchádzajúcim prevádzkovým nastaveniam. Keď zariadenie beží v miestnosti s teplotou medzi 5 stupňami Celzia a 12 stupňami Celzia, prejde do režimu samorozmrazovania približne každých 30 minút. Keď zariadenie beží v miestnosti s teplotou medzi 12 °C a 20 °C, prejde do režimu samorozmrazovania približne každých 45 minút.

Čistenie a údržba

1. Pred začatím akéhokoľvek čistenia alebo inej bežnej údržby jednotku vypnite a odpojte napájací kábel.

2. Aby ste predišli riziku úrazu elektrickým prúdom, nikdy pri čistení odvlhčovač nekropte ani nerozlievajte vodu.

3. Pred premiestnením zariadenia vypnite zariadenie a vypustite vodu z nádržky na vodu. Pri pohybe sa držte za rukoväť.

4. Utrite kryt prístroja vlhkou handričkou.

5. Nedemontujte plavák (11) z vodnej nádrže (7). Na čistenie nádržky na vodu (7) nepoužívajte čistiace prostriedky, drôtenky, chemicky ošetrované utierky na prach, benzín, benzén, riedidlo ani iné rozpúšťadlá, pretože môžu poškriabať a poškodiť nádrž a spôsobiť únik vody.

6. Pred plánovanou nepretržitou prevádzkou na dlhú dobu je potrebná pravidelná kontrola, najmä sieťového vzduchového filtra (12) a vypúšťacej hadice (10).

7. Čistenie alebo výmena filtrov by mala byť:

- odpojte zástrčku a vyberte nádržku na vodu (7),

- odstráňte mriežku (13), ako je znázornené na obrázku 6,

- jemne vyberte sieťový vzduchový filter (12) z mriežky filtra (13),

- každé dva týždne vyčistite filter vysávačom. Zľahka prejdite vysávačom po povrchu vzduchového filtra (12), aby ste odstránili nečistoty. Ak je vzduchový filter (12) mimoriadne znečistený, umyte ho teplou vodou a jemným čistiacim prostriedkom a dôkladne osušte. Výkon odvlhčovania sa môže znížiť, keď je filter zanesený nečistotami.

- vložte filter do mriežky filtra a namontujte ho späť do krytu zariadenia.

8. Zariadenie nečistite benzínom, riedidlom alebo tekutým čistiacim prostriedkom.

9. Skladovanie: ak sa zariadenie dlhší čas nepoužíva a chcete ho uložiť, dodržujte nasledujúce kroky:

- Vyprázdňte všetku vodu, ktorá zostala v nádrži na vodu.

- Zložte napájací kábel (8) a vložte ho do vnútra nádržky na vodu (7).

- Vyčistite sieťový vzduchový filter (12).

- Skladovanie na chladnom a suchom mieste.

RIEŠENIE PROBLÉMOV

Ak sa vyskytne stav uvedený nižšie, pred zavolaním zákazníckeho servisu skontrolujte nasledujúce položky.

Problém 1: Zariadenie nefunguje.

Možný dôvod 1: Bol odpojený napájací kábel?

Riešenie problému: Zapojte napájací kábel do zásuvky.

Možná príčina 2: Bliká indikátor plnej nádrže na vodu (H)?

Riešenie problému: Nádrž je plná alebo v nesprávnej polohe. Vyprázdnite nádržku na vodu (7) a potom nádržku znova umiestnite.

Možný dôvod 3: Je teplota v miestnosti vyššia ako 35 stupňov Celzia alebo nižšia ako 5 stupňov Celzia?

Riešenie problému: Aktivuje sa vstavané ochranné zariadenie a odvlhčovač nie je možné spustiť pri teplote miestnosti nad 35 stupňov Celzia alebo pod 5 stupňov Celzia.

Problém 2: Funkcia odvlhčovania nefunguje

Možná príčina 1: Nie je upchatý čistý vzduchový filter (12)?

Riešenie problému 1: Vyčistite vzduchový filter podľa pokynov v časti „Čistenie a údržba“ – bod 7.

Možná příčina 2: Je zablokovaný prívod vzduchu (5) alebo výstup vzduchu (2)?

Riešenie problému: Odstráňte prekážku.

Problém 3: Nevypúšťa sa žiadny vzduch.

Možná příčina 1: Nie je upchatý čistý vzduchový filter (12)?

Riešenie problému: Vyčistite vzduchový filter podľa pokynov v časti „Čistenie a údržba“ - bod 7.

Problém 4: Prevádzka je hlučná

Možný dôvod 1: Je zariadenie naklonené alebo nestabilné?

Riešenie problému: Premiestnite zariadenie na stabilný, rovný a pevný povrch.

Možná příčina 2: Nie je upchatý čistý vzduchový filter (12)?

Riešenie problému: Vyčistite vzduchový filter podľa pokynov v časti „Čistenie a údržba“ - bod 7.

Problém 5: Kód E1 zobrazený na digitálnom indikátore (J)

Možná příčina 1: Skrat snímača cievky alebo prerušený obvod

Riešenie problému: Kontaktujte predajcu, ktorý vám vystavil faktúru.

TECHNICKÝ DÁTUM:

Kapacita odvlhčovania pri 30 °C / 80% RH): 10 litrov / 24 hodin

Hladina hluku: <= 42 dB(A)

Objem nádržky na vodu: 2,0 litra

Prietok vzduchu: 150 m³/hod

Hmotnosť chladiacej kvapaliny R290: 45 gramov

Menovitý príkon: 280W

Napájanie: 220-240V ~50Hz



Pozor, nebezpečenstvo požiaru.

Neprepichujte ani nespáľujte.

Uvedomte si, že chladivo nesmie obsahovať zápach.

Zariadenie musí byť inštalované, prevádzkované a skladované v miestnosti s podlahovou plochou väčšou ako 4 m.².

Maximálne množstvo náplne chladiva: 45 g.



Starostlivosť o životné prostredie. Kartónový obal odovzdajte do zberných surovín. Polyetylénové vrecká (PE) vyhodte do kontajnera na plast.

Opotrebený spotrebič odovzdajte na príslušný zberný dvor, nebezpečné látky spotrebiča môžu predstavovať riziko pre životné prostredie.

Elektrospotrebič odstráňte tak, aby nedochádzalo k jeho ďalšiemu použitiu. Ak sa v spotrebiči nachádzajú batérie, vyberte ich a odovzdajte ich na zberné miesto osobitne. Spotrebič nevyhadzujte do kontajnera na komunálny odpad!

POLSKI

OGÓLNE WARUNKI BEZPIECZEŃSTWA WAŻNE INSTRUKCJE DOTYCZĄCE BEZPIECZEŃSTWA UŻYTKOWANIA PRZECZYTAJ UWAŻNIE I ZACHOWAJ NA PRZYSZŁOŚĆ

1. Przed rozpoczęciem użytkowania urządzenia należy przeczytać instrukcję obsługi i postępować według wskazówek w niej zawartych. Producent nie odpowiada za szkody spowodowane użytkowaniem urządzenia niezgodnie z jego przeznaczeniem lub niewłaściwą jego obsługą.
2. Urządzenie służy wyłącznie do użytku domowego. Nie używać do innych celów, niezgodnych z jego przeznaczeniem.
3. Urządzenie należy podłączyć wyłącznie do gniazdka prądu przemiennego z uziemieniem 220 240V~50Hz. W celu zwiększenia bezpieczeństwa użytkowania do jednego obwodu prądu nie należy równocześnie włączać wielu urządzeń elektrycznych.
4. Należy zachować szczególną ostrożność podczas korzystania z urządzenia, gdy w pobliżu przebywają dzieci. Nie należy dopuszczać dzieci do zabawy urządzeniem nie pozwól dzieciom ani osobom nie zaznajomionym z urządzeniem na jego użytkowanie.
5. **OSTRZEŻENIE:** Niniejszy sprzęt może być użytkowany przez dzieci powyżej 8 roku życia oraz osoby o ograniczonej zdolności fizycznej, czuciowej lub psychicznej, lub osoby nie

mające doświadczenia lub znajomości sprzętu, jeśli odbywa się to pod nadzorem osoby odpowiadającej za ich bezpieczeństwo lub zostały im udzielone wskazówki na temat bezpiecznego użytkowania urządzenia i mają świadomość niebezpieczeństwa związanego z jego użytkowaniem. Dzieci nie powinny bawić się sprzętem. Czyszczenie i konserwacja urządzenia nie powinna być wykonywana przez dzieci, chyba że są powyżej 8 roku życia a czynności te są wykonywane pod nadzorem.

6. Zawsze po zakończeniu używania, wyjmij wtyczkę z gniazda zasilającego poprzez przytrzymanie gniazdka ręką. NIE ciągnąć za sznur sieciowy.

7. Nie zanurzać kabla, wtyczki oraz całego urządzenia w wodzie lub innej cieczy. Nie wystawiaj urządzenia na działanie warunków atmosferycznych (deszczu, słońca, etc.) ani nie używaj w warunkach podwyższonej wilgotności (łazienki, wilgotne domki kempingowe).

8. Okresowo sprawdzaj stan przewodu zasilającego. Jeżeli przewód zasilający jest uszkodzony, to powinien on być wymieniony przez specjalistyczny zakład naprawczy w celu uniknięcia zagrożenia.

9. Nie używaj urządzenia z uszkodzonym przewodem zasilającym lub jeśli zostało upuszczone lub uszkodzone w jakikolwiek inny sposób lub nieprawidłowo pracuje. Nie naprawiaj urządzenia samodzielnie, gdyż grozi to porażeniem. Uszkodzone urządzenie oddaj do właściwego punktu serwisowego w celu sprawdzenia lub dokonania naprawy. Wszelkich napraw mogą dokonywać wyłącznie uprawnione punkty serwisowe. Nieprawidłowo wykonana naprawa może spowodować poważne zagrożenie dla użytkownika.

10. Należy stawiać urządzenie na chłodnej stabilnej, równej powierzchni, z dala od nagrzewających się urządzeń kuchennych jak: kuchenka elektryczna, palnik gazowy, itp.....

11. Upewnij się, że nic nie blokuje wlotu i wylotu powietrza do urządzenia

12. Używaj urządzenia tylko na równej poziomej powierzchni by zapobiec wylaniu się skroplonej wody

13. Do zapewnienia dodatkowej ochrony, wskazane jest zainstalowanie w obwodzie elektrycznym, urządzenia różnicowoprądowego (RCD) o znamionowym prądzie różnicowym nie przekraczającym 30mA. W tym zakresie należy zwrócić się do specjalisty elektryka.

14. Czyść regularnie filtr powietrza. Częstotliwość czyszczenia zależna jest od czystości powietrza.

15. Po wyłączeniu urządzenia odczekaj co najmniej 5 minut przed ponownym włączeniem.

16. Dla zapewnienia efektywnego osuszania należy zachować odstęp co najmniej 20 cm między ściankami bocznymi urządzenia, a ścianą bądź meblami czy zasłonami.

17. Aby uniknąć ryzyka pożaru lub wybuchu, nie pryskaj rozpylaczem osuszacza

18. Aby zapobiec stopieniu lub zapaleniu się części obudowy, nie należy umieszczać osuszacza w pobliżu urządzeń grzewczych.

19. Usunąć wodę zgromadzoną w zbiorniku. Przypadkowe wypicie wody lub użycie jej do innych celów może spowodować chorobę.

20. Nie obsługiwać urządzenia ze zdjętą tylną pokrywą z powodu ruchomych i gorących części.

21. Nie należy używać żadnych środków do przyspieszenia procesu rozmrażania lub czyszczenia, niż te zalecane przez producenta.

22. Urządzenie należy przechowywać w pomieszczeniu bez stale działających źródeł zapłonu

to znaczy: bez otwartego ognia, bez działającego urządzenia gazowego lub bez działającego grzejnika elektrycznego.

23. Nie przekłuwać ani nie palić.

24. Należy pamiętać, że czynniki chłodnicze mogą nie zawierać zapachu.

Przed pierwszym użyciem

1. Osuszacz musi być używany na poziomej i stabilnej powierzchni, zachowując odległości między urządzeniem a innymi obiektami zgodnie z rysunkiem 1 aby zapewnić odpowiednią wydajność. Zamknij wszystkie okna i drzwi pokoju, w którym chcesz osuszać powietrze.
2. Aby zapobiec zamarzaniu wody, nie używaj osuszacza i węża spustowego w temperaturze otoczenia poniżej 0°C
3. Nie używaj osuszacza na zewnątrz. Wystawienie na bezpośrednie działanie promieni słonecznych lub deszczu może spowodować przegrzanie, porażenie prądem i pożar.
4. Nie stawiaj zbiornika na osuszacz, aby uniknąć rozlania wody do wnętrza urządzenia i pogorszenia izolacji.
5. Nigdy nie próbuj używać osuszacza do specjalnych zastosowań, takich jak osuszanie żywności lub konserwacja przedmiotów artystycznych itp.
6. Nie używaj osuszacza w miejscach, w których może dojść do wycieku oleju lub łatwopalnego gazu. Nie używaj urządzenia w miejscach narażonych na chemikalia.
7. W celu ciągłego opróżniania upewnij się, że wąż odpływowy jest prawidłowo ustawiony ze spadkiem.
8. Uważaj, aby urządzenie grzewcze nie było narażone na działanie wiatru z osuszacza.
9. Nie używaj osuszacza jako krzesła lub podnóżka.
10. Nie wyjmuj dźwigni pływaka ze zbiornika wody.
11. Nie blokuj wlotów i wylotów powietrza.
12. Nie przykrywaj urządzenia praną odzieżą.
13. Przed ciągłą pracą przez dłuższy czas wymagane są okresowe kontrole, zwłaszcza filtra powietrza, węża odpływowego itp.
14. Urządzenie należy instalować, obsługiwać i przechowywać w pomieszczeniu o powierzchni podłogi większej niż 4 m² oraz w pomieszczeniu o dobrze wentylowanej powierzchni.
15. Nigdy nie wkładaj palców ani prętów do wylotu i wlotu powietrza.

Opis produktu: Osuszacz powietrza AD7861 (zdjęcie 2)

- | | | |
|------------------------------------|-----------------------------------|------------------------------|
| 1. Uchwyt ułatwiający przenoszenie | 2. Wylot powietrza 3. | Tylna obudowa |
| 4. Panel sterowania | 5. Wlot powietrza | 6. Obudowa przednia |
| 7. Zbiornik na wodę 2,0L | 8. Przewód zasilający | 9. Nóżki |
| 10. Wąż spustowy | 11. Pływak | 12. Siatkowy filtr powietrza |
| 13. Obudowa filtra | 14. Króciec ciągłego odpływu wody | |

Panel sterowania

- | | |
|---|--|
| A. Przycisk zasilania | B. Przycisk zmniejszania żądanej wilgotności |
| C. Przycisk zwiększania żądanej wilgotności | D. Przycisk timera 0-24 godziny |
| E. Wskaźnik timera | F. Wskaźnik samorozmrażania |
| G. Wskaźnik aktywności sprężarki | H. Wskaźnik pełnego zbiornika na wodę |
| J. Cyfrowy wskaźnik „88”. | |

Cyfrowy wskaźnik „88” (J) pokaże:

- ustawiony, żądany poziom wilgotności w zakresie: 30-90 procent wilgotności względnej (RH)
- godziny w zakresie: 1-24, gdy programujemy opóźniony start lub opóźnione zatrzymanie

- „LO” – oznacza niską, gdy wilgotność otoczenia jest niższa niż 35%
- „HI” – oznacza wysoką, gdy wilgotność otoczenia jest wyższa niż 95%,

ZASTOSOWANIE

1. Podłącz urządzenie.
2. Naciśnij przycisk zasilania (A), aby rozpocząć pracę, cyfrowy wskaźnik „88” (J) zaświeci się. Naciśnij ponownie przycisk zasilania (A), aby zatrzymać działanie.
3. Naciśnij dolny przycisk (C) lub (D), aby ustawić żądany poziom wilgotności w pomieszczeniu, który można ustawić w zakresie od 30% do 90% w odstępach co 5% lub „CO”.

Po okresie pracy:

- gdy wilgotność otoczenia spadnie o 2% od ustawionej wilgotności, sprężarka zatrzyma się,
- gdy wilgotność otoczenia jest równa lub wyższa niż wybrana wilgotność o 3%, sprężarka uruchomi się ponownie po upływie 3-minutowego czasu ochrony sprężarki.

4. FUNKCJA TIMERA

Naciśnij przycisk timera (D), aby zaprogramować czas:

- gdy urządzenie jest włączone, aby ustawić funkcję opóźnionego zatrzymania:

Wielokrotne naciskając przycisk timera (D) ustaw żądany czas, będzie on krążył od 0-1-2.....23-24. Wskaźnik czasu (E) zaświeci się.

Urządzenie przestanie działać po upływie żądanego czasu.

- gdy urządzenie jest wyłączone, aby ustawić funkcję opóźnionego startu:

Wielokrotne naciśnięcie przycisku timera (D) ustaw żądany czas, będzie on krążył od 0-1-2.....23-24. Wskaźnik czasu (E) zaświeci się.

Urządzenie rozpocznie pracę po upływie żądanego czasu.

Aby anulować programowanie timera, naciśnij przycisk timera (D) do zera.

Zaprogramowany czas pozostaje niezmienny, jeśli urządzenie przestanie działać z powodu pełnego zbiornika wody lub podczas samorozmrażania.

5. OPRÓŻNIANIE ZBIORNIKA WODY

Gdy zbiornik na wodę (7) jest pełny, wskaźnik (H) zapala się, urządzenie zatrzyma się automatycznie, a brzęczyk wyemituje 15 sygnałów dźwiękowych, aby ostrzec użytkownika, że należy opróżnić zbiornik na wodę (7). Spójrz na zdjęcia 4 i 5. Procedura odprowadzania wody jest następująca:

- Lekko naciśnij obiema rękami boki zbiornika (7) i delikatnie wyciągnij zbiornik.
- Wylej zebraną wodę. Jeśli zbiornik na wodę (7) jest brudny, umyj go zimną lub letnią wodą.

UWAGA: Nie wyjmuj pływak (11) ze zbiornika na wodę (7). Wbudowany czujnik zapełnienia nie będzie już w stanie poprawnie wykryć poziomu wody bez pływaka (11) i urządzenie przestanie działać.

- Wkładając z powrotem zbiornik na wodę (7), wciśnij go mocno obiema rękami. Jeśli zbiornik nie jest ustawiony prawidłowo, wbudowany czujnik zapełnienia wodą nie zostanie aktywowany, więc osuszacz nie będzie działał.

6. FUNKCJA CIĄGŁEGO ODPROWADZANIA WODY

Po ustawieniu poziomu wilgotności na „CO” na wyświetlaczu cyfrowym (J), sprężarka będzie pracować w sposób ciągły. Użytkownik może:

6.a. podłączyć wąż spustowy (10)

Jeśli użytkownik podłączy wąż odpływowy (10), woda będzie wypływać w sposób ciągły do umywalki/wanny lub innego zewnętrznego pojemnika, który ustawisz. Urządzenie posiada króciec ciągłego odpływu wody (14) - patrz rysunek 3. W celu podłączenia węża spustowego (10) do króćca ciągłego odpływu wody (14) należy wyjąć zbiornik na wodę (7). Wąż spustowy (10) (o średnicy wewnętrznej

10mm) należy założyć na króciec (14) otwór spustowy pokazany na rysunku 3. Woda może być odprowadzana w sposób ciągły przez króciec (14).

6.b. nie podłączać węża odpływowego (10).

Jeśli użytkownik nie podłączy węża spustowego (10), woda spłynie do zbiornika na wodę (7). Gdy zbiornik na wodę (7) będzie pełny, urządzenie automatycznie przerwie pracę.

7. FUNKCJA AUTOMATYCZNEGO ODSZRANIANIA

Gdy na wbudowanej wężownicy parownika pojawi się szron, sprężarka wyłączy się, a urządzenie automatycznie przejdzie w tryb samoodszrania. Po zakończeniu trybu odszrania urządzenie powróci do poprzednich ustawień pracy. Gdy urządzenie pracuje w pomieszczeniu o temperaturze od 5 do 12 stopni Celsjusza, będzie przechodzić w tryb automatycznego odszrania mniej więcej co 30 minut. Gdy urządzenie pracuje w pomieszczeniu o temperaturze od 12 do 20 stopni Celsjusza, będzie przechodzić w tryb automatycznego odszrania mniej więcej co 45 minut.

Czyszczenie i konserwacja

1. Wyłącz urządzenie i odłącz wtyczkę zasilania przed rozpoczęciem czyszczenia lub innej rutynowej konserwacji.
2. Aby uniknąć ryzyka porażenia prądem, nigdy nie przyskaj ani nie rozlewaj wody na osuszacz podczas czyszczenia.
3. Wyłącz urządzenie i wylej wodę ze zbiornika przed przeniesieniem urządzenia. Pamiętaj, aby podczas ruchu trzymać za uchwyt.
4. Przetrzyj obudowę urządzenia wilgotną ściereczką.
5. Nie demontuj pływaka (11) ze zbiornika na wodę (7). Do czyszczenia zbiornika na wodę (7) nie należy używać detergentów, ściereczek do szorowania, ściereczek nasączonych chemikaliami, benzyny, benzenu, rozcieńczalników ani innych rozpuszczalników, ponieważ mogą one zarysować i uszkodzić zbiornik oraz spowodować wyciek wody.
6. Przed planowaną ciągłą pracą przez dłuższy czas należy okresowo sprawdzać zwłaszcza siatkowy filtr powietrza (12) i wąż odpływowy (10).
7. Do czyszczenia lub wymiany filtrów należy:
 - odłączyć wtyczkę i wyjąć zbiornik na wodę (7),
 - wyjąć kratkę (13) jak pokazano na rysunku 6,
 - delikatnie wyjąć siatkowy filtr powietrza (12) z kratki filtra (13),
 - filtr należy czyścić co dwa tygodnie odkurzaczem. Delikatnie przejeżdż odkurzaczem po powierzchni filtra powietrza (12), aby usunąć brud. Jeśli filtr powietrza (12) jest wyjątkowo brudny, umyj go ciepłą wodą z łagodnym środkiem czyszczącym i dokładnie wysusz. Wydajność osuszania może się zmniejszyć, gdy filtr jest zatkany zanieczyszczeniami.
 - włożyc filtr do kratki filtra i zamontować z powrotem w obudowie urządzenia.
8. Nie czyść urządzenia benzyną, rozcieńczalnikiem ani płynnym detergentem.
9. Przechowywanie: jeśli urządzenie nie jest używane przez dłuższy czas i chcesz je przechować, wykonaj następujące czynności:
 - Opróżnij wodę pozostałą w zbiorniku na wodę.
 - Zwiń przewód zasilający (8) i umieść go w zbiorniku na wodę (7).
 - Oczyszczyć siatkowy filtr powietrza (12).
 - Przechowywać w chłodnym i suchym miejscu.

ROZWIĄZYWANIE PROBLEMÓW

W przypadku wystąpienia wymienionego poniżej stanu, przed skontaktowaniem się z działem obsługi klienta należy sprawdzić następujące elementy.

Problem 1: Urządzenie nie działa.

Możliwa przyczyna 1: Czy przewód zasilający został odłączony?

Rozwiązanie problemu: Podłącz przewód zasilający do gniazdka.

Możliwa przyczyna 2: Czy miga wskaźnik pełnego zbiornika na wodę (H)?

Rozwiązanie problemu: Zbiornik jest pełny lub znajduje się w niewłaściwej pozycji. Opróżnij zbiornik na wodę (7), a następnie ponownie umieść zbiornik.

Możliwy powód 3: Czy temperatura w pomieszczeniu jest wyższa niż 35 stopni Celsjusza lub niższa niż 5 stopni Celsjusza?

Rozwiązanie problemu: Zadziałało wbudowane zabezpieczenie i osuszacz nie może zostać uruchomiony w temperaturze pomieszczenia powyżej 35 stopni Celsjusza lub poniżej 5 stopni Celsjusza.

Problem 2: Funkcja osuszania nie działa

Możliwa przyczyna 1: Czy filtr siatkowy powietrza (12) jest zatkany?

Rozwiązanie problemu 1: Wyczyść filtr powietrza zgodnie z instrukcją w punkcie „Czyszczenie i konserwacja” – punkt 7.

Możliwa przyczyna 2: Czy wlot powietrza (5) lub wylot powietrza (2) jest zatkany?

Rozwiązanie problemu: Usuń przeszkodę.

Problem 3: Powietrze nie jest odprowadzane.

Możliwa przyczyna 1: Czy filtr siatkowy powietrza (12) jest zatkany?

Rozwiązanie problemu: Wyczyść filtr powietrza zgodnie z instrukcją w punkcie „Czyszczenie i konserwacja” – punkt 7.

Problem 4: Praca jest głośna

Możliwa przyczyna 1: Czy urządzenie jest przechylone lub ustawione niestabilnie?

Rozwiązanie problemu: Ustaw urządzenie na stabilnej, równej i solidnej powierzchni.

Możliwa przyczyna 2: Czy siatkowy filtr powietrza (12) jest zatkany?

Rozwiązanie problemu: Wyczyść filtr powietrza zgodnie z instrukcją w punkcie „Czyszczenie i konserwacja” – punkt 7.


Problem 5: Kod E1 pokazany na wskaźniku cyfrowym (J)

Możliwa przyczyna 1: Zwarcie lub przerwa w obwodzie czujnika cewki

Rozwiązanie problemu: Skontaktuj się ze sprzedawcą, który wystawił Ci rachunek zakupu.

DANE TECHNICZNE:

Wydajność osuszania przy 30°C / 80% wilgotności względnej): 10 litrów / 24 godziny

Poziom hałasu: <= 42 dB (A) 

Pojemność zbiornika na wodę: 2,0 litry

Przepływ powietrza: 150 m³/godz.

Masa płynu chłodzącego R290: 45 gramów

Znamionowa moc wejściowa: 280W

Zasilanie: 220-240V ~50Hz



Uwaga, ryzyko pożaru.

NIE przekłuwać ani nie spalać.

Należy pamiętać, że czynnik chłodniczy może nie zawierać zapachu.

Urządzenie należy instalować, obsługiwać i przechowywać w pomieszczeniu o powierzchni podłogi większej niż 4 m².

Maksymalna ilość czynnika chłodniczego: 45g.

KARTA GWARANCYJNA

WARUNKI GWARANCJI obowiązują na terenie Rzeczypospolitej Polskiej

Adler Sp. z o.o. ul. Orдона 2a 01-237 Warszawa zapewnia Użytkownika o dobrej jakości sprzętu, na który wydana jest niniejsza karta gwarancyjna i udziela 24 miesięcznej gwarancji, która liczy się od daty zakupu sprzętu. Usługi gwarancyjne świadczone są po okazaniu prawidłowo wypełnionej karty gwarancyjnej. Wady lub uszkodzenia sprzętu ujawnione w okresie gwarancji usuwane będą bezpłatnie przez Serwis Centralny. W przypadku zakupu sprzętu przez przedsiębiorcę (faktura VAT) okres gwarancji wynosi 12 miesięcy. Powyższy zapis nie dotyczy jednoosobowych działalności gospodarczych, o ile rodzaj zakupionego sprzętu, nie jest związany z profilem prowadzonej działalności gospodarczej – weryfikacja w CEIDG.

W przypadku wymiany rzeczy na nową, albo po dokonaniu istotnej naprawy, okres gwarancji biegnie na nowo od chwili dostarczenia klientowi rzeczy wolnej od wad, lub zwrócenia rzeczy naprawionej. Jeżeli gwarant wymienił część rzeczy, przepis powyższy stosuje się odpowiednio do części wymienionej. Gwarant zobowiązuje się pokryć koszty dostarczenia rzeczy do serwisu na adres wskazany w karcie gwarancyjnej. Jednakże uprawniony z gwarancji powinien zachować rozsądek, wybierając środek transportu. Uprawnionemu z gwarancji nie przysługują od gwaranta zwrot kosztów dostarczenia towaru – rzeczy do naprawy gwarancyjnej, przekraczający ekonomicznie uzasadnione koszty przewozu.

UWAGA: Sprzęt przeznaczony jest wyłącznie do użytku domowego. Naprawami gwarancyjnymi nie są objęte czynności związane z odkamienianiem, konserwacją, czyszczeniem urządzenia oraz części i akcesoria ulegające zużyciu przy normalnym użytkowaniu. Gwarancja nie obejmuje mechanicznych uszkodzeń sprzętu oraz wad i uszkodzeń wynikłych wskutek:

- niewłaściwego lub niezgodnego z instrukcją użytkowania, przechowywania i konserwacji;
- ingerencji nieautoryzowanego serwisu, samowolnych napraw, przeróbek i zmian konstrukcyjnych;
- użycia niewłaściwych materiałów eksploatacyjnych.
- uszkodzeń mechanicznych, termicznych, chemicznych i powstałych na skutek przepięcia w sieci.
- karta gwarancyjna jest nieważna bez daty zakupu, pieczęci sprzedającego i kopii dokumentu zakupu.
- gwarancją nie są objęte elementy eksploatacyjne i akcesoria w tym: elementy szklane (np. dzbanki, talerze), sznury przyłączeniowe, sieciowe, żarówki, baterie, nożyki i folie do urządzeń tnących, nasadki miksujące, trzepaki, mieszaki, ssawkoszczotki, rury, węże, kubki miksujące, głowice tnące i sita.

Reklamowany sprzęt jest dostarczany do Serwisu Centralnego przez Klienta w stanie kompletnym i odpowiednio zabezpieczony na czas transportu. Po dokonanej naprawie reklamowany sprzęt odbierany jest z Serwisu Centralnego przez Klienta.

Termin usunięcia wady może zostać wydłużony o czas potrzebny do importu niezbędnych części, nie dłuższy niż 30 dni roboczych. W każdym takim przypadku warsztat serwisowy powiadomi klienta o wydłużeniu terminu naprawy gwarancyjnej. W związku z koniecznością sprowadzenia części zamiennych i poinformuje o nowym terminie usunięcia wady.

W przypadku stwierdzenia usterki należy ją zgłosić w punkcie sprzedaży lub w Serwisie Centralnym, ul. Orдона 2A, 01-237 Warszawa, tel. 728-595-006 lub e-mail: serwis@adler.com.pl.

W zgłoszeniu proszę podać swój adres, nr telefonu i opis usterki. Do reklamacji konieczne jest dołączenie kopii dokumentu zakupu.

Gwarancja nie wyłącza ani nie ogranicza oraz nie zawiesza uprawnień kupującego wynikających z przepisów o rękojmi za wady rzeczy sprzedanej.

SERWIS CENTRALNY

01-237 Warszawa ul.Orдона 2A

tel. 728 - 595 - 006

serwis@adler.com.pl www.adler.com.pl

.....
(data sprzedaży)

.....
(pieczęć sklepu i podpis sprzedawcy)

adnotacje serwisu:



W trosce o środowisko..

Opakowania kartonowe oraz worki polietylenowe (PE) należy wrzucać do odpowiednich pojemników przeznaczonych do selektywnej zbiórki odpadów komunalnych zgodnie z ich opisem. Jeżeli w urządzeniu znajdują się baterie, należy je wyjąć i osobno oddać do punktu zbierania i składowania. Zużyte urządzenia należy oddać do odpowiedniego punktu zbierania i składowania, gdyż znajdujące się w nim niebezpieczne substancje mogą stanowić zagrożenie dla zdrowia i środowiska. Oznaczenie umieszczone na produkcie wskazuje, że urządzenia nie należy wyrzucać do pojemnika z odpadami komunalnymi.

Zużyty sprzęt elektryczny, to odpady, które zawierają substancje szkodliwe dla ludzi, zwierząt i środowiska. Substancje te mogą doprowadzić do zanieczyszczenia gleby, wody lub powietrza, a poprzez to mogą się dostać do organizmu człowieka i doprowadzić do licznych dolegliwości zdrowotnych, takich jak: zaburzenia wzroku, słuchu, mowy, mogą również doprowadzić do uszkodzenia nerek, wątroby i serca, oraz wywołać choroby skóry. Substancje szkodliwe mogą mieć również niekorzystny wpływ na układ oddechowy i rozrodzić oraz doprowadzić do zmian nowotworowych. Spożycie roślin rosnących na skażonych glebach, oraz produktów powstałych z nich może grozić w/w skutkami zdrowotnymi.

Urządzenia nie wyrzucać do pojemnika na odpady komunalne !!!!

شروط السلامة. تعليمات هامة حول الاستخدام الآمن. اقرأ بعناية واحتفظ به للرجوع إليه في المستقبل

1. قبل استخدام الجهاز ، اقرأ دليل التشغيل واتبع التعليمات الواردة فيه. الشركة المصنعة غير مسؤولة عن الأضرار الناجمة عن استخدام الجهاز خلافاً للغرض المقصود منه أو التشغيل غير السليم
2. الجهاز للاستخدام المنزلي فقط. لا تستخدمه لأغراض أخرى ليست للغرض المقصود منها.
3. يجب توصيل الجهاز بأخذ تيار متردد فقط مع 220-240 فولت ~ 50 هرتز. لزيادة السلامة التشغيلية ، يجب عدم توصيل العديد من الأجهزة الكهربائية بدائرة تيار واحدة في نفس الوقت
4. توخي الحذر الشديد عند استخدام الجهاز عندما يكون الأطفال في مكان قريب. لا تسمح للأطفال باللعب بالجهاز ، ولا تسمح للأطفال أو الأشخاص غير المعتادين على الجهاز باستخدامه
5. تحذير: يمكن استخدام هذه المعدات من قبل الأطفال الذين تزيد أعمارهم عن 8 سنوات والأشخاص ذوي القدرات البدنية أو الحسية أو العقلية المحدودة ، أو الأشخاص الذين ليس لديهم خبرة أو معرفة بالمعدات إذا تم ذلك تحت إشراف شخص مسؤول حفاظاً على سلامتهم أو تم إعطاؤهم معلومات عن الاستخدام الآمن للجهاز وإدراكهم لمخاطر استخدامه. يجب ألا يلعب الأطفال بالمعدات. لا ينبغي أن يقوم الأطفال بتنظيف الجهاز وصيانته ، إلا إذا كان عمرهم أكثر من 8 سنوات ويتم تنفيذ هذه الأنشطة تحت إشراف
6. أفضل قابس الطاقة دائماً عن طريق إمساك المقبس بيدك بعد الاستخدام. لا تسحب سلك الطاقة
7. لا تغمر الكابل والقابس والجهاز بالكامل في الماء أو أي سائل آخر. لا تعرض الجهاز للظروف الجوية (مطر ، شمس ، إلخ) أو تستخدمه في ظروف الرطوبة العالية (الحمامات ، المنازل المتحركة الرطبة) افحص بشكل دوري حالة سلك الطاقة. في حالة تلف سلك الطاقة ، يجب استبداله بمحل إصلاح
8. متخصص لتجنب الخطر
9. لا تستخدم الجهاز مع سلك طاقة تالف أو إذا سقط أو تعرض للتلف بأي طريقة أخرى أو إذا كان لا يعمل بشكل صحيح. لا تقم بإصلاح الجهاز بنفسك ، حيث يوجد خطر حدوث صدمة كهربائية. خذ الجهاز التالف إلى مركز خدمة مناسب لفحصه أو إصلاحه. لا يجوز إجراء جميع الإصلاحات إلا من خلال نقاط الخدمة المعتمدة. يمكن أن تتسبب الإصلاحات التي يتم إجراؤها بشكل غير صحيح في خطر كبير على المستخدم
10. ضع الجهاز على سطح بارد وثابت ، بعيداً عن أجهزة المطبخ الساخنة مثل: الموقد الكهربائي ، الموقد الغازي ، إلخ
11. تأكد من عدم وجود أي شيء يسد مدخل ومخرج الهواء بالجهاز
12. استخدم الجهاز فقط على سطح مستوٍ لمنع التكاثر من الانسكاب
13. في الدائرة الكهربائية بتيار متبقي (RCD) لتوفير حماية إضافية ، يُنصح بتركيب جهاز التيار المتبقي. مُقدر لا يتجاوز 30 مللي أمبير. اسأل كهربائياً عن هذا
14. نظف مرشح الهواء بانتظام. يعتمد تكرار التنظيف على نظافة الهواء
15. بعد إيقاف تشغيل الجهاز ، انتظر 5 دقائق على الأقل قبل إعادة تشغيله
16. إزالة الرطوبة بشكل فعال ، يجب استخدام فجوة لا تقل عن 20 سم بين الجدران الجانبية للأجهزة والأثاث المضغوط أو الستائر
17. لتجنب خطر نشوب حريق أو انفجار ، لا ترش المجفف
18. لاستخدام أجزاء السكن ، لا تضع مزيل الرطوبة بالقرب من أجهزة التدفئة
19. أزل الماء المتجمع في الخزان. شرب الماء عن طريق الخطأ أو استخدامه مع أشخاص آخرين قد يسبب المرض
20. لا يدعم الأجهزة مع إزالة الغطاء الخلفي بسبب الأجزاء المتحركة والساخنة
21. لا تستخدم أي وسيلة لإجراء عملية إذابة الجليد أو التشغيل بخلاف تلك الموصى بها من قبل الشركة المصنعة

22. يجب أن يكون الجهاز متاحًا كجزء من قائمة دائمة لمصادر الإشعال ، أي بدون لهب مكشوف ، بدون جهاز غاز عامل أو بدون سخان جهاز عامل
لا تخرق أو تدخن. 23.
يرجى ملاحظة أن الشركات المصنعة لأجهزة التبريد قد لا تحتوي على عطور. 24.

قبل الاستخدام الأول

1. يجب استخدام مزيل الرطوبة على سطح مستو ومستقر ، والحفاظ على المسافات بين الوحدة والأشياء الأخرى وفقًا للصورة ١ لضمان الكفاءة المناسبة. أغلق .
 2. جميع نوافذ وأبواب الغرفة التي تريد إزالة رطوبة الهواء بها لمنع الماء من التجمد ، لا تستخدم مزيل الرطوبة وخرطوم التصريف في درجة حرارة محيط أقل من ٠ درجة مئوية .
 3. لا تستخدم مزيل الرطوبة في الخارج. قد يؤدي التعرض لأشعة الشمس المباشرة أو ارتفاع درجة الحرارة والصدمة الكهربائية والحريق .
 4. لا تضع خزان الماء على مزيل الرطوبة لتجنب أي انسكاب للماء داخل الوحدة ويؤدي إلى تدهور العزل .
 5. لا تحاول أبدًا استخدام مزيل الرطوبة للاستخدامات الخاصة ، مثل إزالة رطوبة الطعام أو الحفاظ على الأشياء الفنية ، أو ما شابه ذلك .
 6. لا تستخدم مزيل الرطوبة حيث قد يحدث أي تسرب للزيت أو الغازات القابلة للاشتعال. لا تستخدم الوحدة في الأماكن المعرضة للمواد الكيميائية .
 7. للتصريف المستمر ، تأكد من أن خرطوم الصرف مضبوط بشكل صحيح على منحدر .
 8. احذر من أن جهاز التدفئة لا يتعرض للرياح من مزيل الرطوبة .
 9. لا تستخدم مزيل الرطوبة ككرسي أو مسند قدم .
 10. لا تقم بإزالة رافعة العوامة من خزان المياه .
 11. لا تسد مداخل الهواء و منافذ الهواء .
 12. لا تغطي الوحدة بالملابس المغسولة .
- قبل التشغيل المستمر لفترة طويلة ، يلزم إجراء فحص دوري خاصة لمرشح الهواء النظيف أو خرطوم الصرف أو ما شابه
- Cr7851 وصف المنتج: مزيل رطوبة الهواء
1. لوحة التحكم 2. مدخل الهواء
 3. خزان المياه ٢,٤ لتر ٤. مخرج الهواء
 5. مقبض
 6. عائم
 7. خرطوم الصرف
 8. شبكة مرشح الهواء
 9. مبيت الفلتر ١٠. ضوء مؤشر الرطوبة
 11. المكونات المطاطية لوظيفة الصرف
 12. فلتر الكربون المنشط

- يجب تركيب وتشغيل وتخزين الجهاز في غرفة بمساحة أرضية أكبر من ٤ أمتار مربعة وفي غرفة جيدة التهوية . 14.
لا تضع أصابعك وقضبانك في مخرج ومدخل الهواء . ١٥.

(الصورة ٢) AD7861 وصف المنتج: مزيل الرطوبة

1. مقبض لسهولة الحمل
2. منفذ الهواء
3. عودة السكن
4. لوحة التحكم
5. مدخل الهواء
6. السكن الأمامي
7. خزان المياه ٢,٠ لتر
8. سلك الطاقة
9. القدم
10. خرطوم الصرف
11. تعويم المرحضة
12. فلتر الهواء الصافي
13. شبكة التصفية
14. منفذ الصرف المستمر للمياه

لوحة التحكم

زر الطاقة A.

زر تقليل الرطوبة المرغوبة B.

زر زيادة الرطوبة المرغوبة C.

زر الموقت ٢٤-٠ ساعة D.

مؤشر الموقت E.

مؤشر تذبذب الذاتي F.

مؤشر نشاط الضاغظ

مؤشر خزان المياه ممتلئة H.

"يا - المؤشر الرقمي" ٨٨

(J) "سيظهر المؤشر الرقمي" ٨٨

(RH) مستوى الرطوبة المحدد في النطاق: 30-90 بالمائة من الرطوبة النسبية -

ساعات في النطاق 1-24، عندما تقوم ببرمجة البدء المتأخر أو التوقف المتأخر -
/تعني منخفضاً ، عندما تكون رطوبة البيئة أقل من ٣٥ - "LO" -
، /تعني مرتفع ، عندما تكون رطوبة البيئة أعلى من ٩٥ - "HI" -

الاستخدام

١. توصيل الجهاز

اضغط على زر الطاقة (A) مرة أخرى لإيقاف التشغيل. (J) "البدء التشغيل ، وسوف يضيء المؤشر الرقمي "٨٨" (A) اضغط على زر الطاقة ٢.
"CO" لضبط مستوى الرطوبة المطلوب في الغرفة ، والذي يمكن ضبطه من ٣٠٪ إلى ٩٠٪ على فترات ٥٪ أو (D) أو (C) اضغط على الجزء السفلي ٣.
بعد فترة من العمل

، عندما تكون رطوبة البيئة أقل من الرطوبة المحددة بنسبة ٢٪ ، سيتوقف الضاغط -
عندما تكون رطوبة البيئة مساوية أو أعلى من الرطوبة المحددة بنسبة ٣٪ ، سيعاد تشغيل الضاغط مرة واحدة لمدة ٣ دقائق من وقت حماية الضاغط -

وظيفة المؤقت ٤.

هو برنامج الوقت (D) اضغط على زر المؤقت

عند تشغيل الجهاز لإعداد وظيفة الإيقاف المؤجل -

سيوقف الجهاز عن (E) لضبط الوقت المطلوب ، وسوف يدور من ١٠-٢-..... ٢٣-٢٤. سيضيء مؤشر الوقت (D) الضغط المتكرر على زر المؤقت
العمل عند مرور الوقت المطلوب

عند إيقاف تشغيل الجهاز لإعداد وظيفة التشغيل المتأخر -

سيبدأ الجهاز في العمل (E) لضبط الوقت المطلوب ، وسوف يدور من ١٠-٢-..... ٢٤-٢٣. سيضيء مؤشر الوقت (D) الضغط المتكرر على زر المؤقت
عند مرور الوقت المطلوب

إلى الصفر (D) لإلغاء برمجة المؤقت ، اضغط على زر المؤقت

يظل الوقت المبرمج بدون تغيير إذا توقفت الماكينة عن العمل بسبب خزان المياه الممتلئ أو أثناء الإذابة الذاتية

٥. تصريف خزان المياه

ستتوقف العملية تلقائياً وسيصدر الجرس صفيراً ١٥ مرة لتنبيه المستخدم إلى ضرورة تفريغ المياه من ، (H) عند امتلاء خزان المياه (Y) ، يضيء المؤشر

خزان المياه (Y). انظر إلى الصورتين ٤ و ٥. إجراء تصريف المياه هو

اضغط برفق على جانبي الخزان (Y) بكلتا يديك واسحب الخزان للخارج برفق -

اسكب الماء المتجمع. إذا كان خزان المياه (Y) متسخاً ، اغسله بماء بارد أو فاتر -

ملاحظة: لا تقم بإزالة المرحضة العائمة (١١) من خزان المياه (Y). لن يتمكن مستشعر الماء الكامل المدمج بعد الآن من الكشف عن مستوى الماء بشكل صحيح
بدون حوض الطفو (١١) وسيتوقف الجهاز عن العمل

عند إعادة خزان المياه (Y) ، اضغط على الخزان بإحكام في مكانه بكلتا يديك. إذا لم يتم وضع الخزان بشكل صحيح ، فلن يتم تنشيط مستشعر الماء المدمج -
بالكامل ، وبالتالي لن يعمل مزيل الرطوبة

وظيفة تصريف المياه المستمر ٦.

سيعمل الضاغط بشكل مستمر. يمكن للمستخدم ، (J) على الشاشة الرقمية "CO" عند ضبط مستوى الرطوبة على

(١٠) أ. قم بتوصيل خرطوم الصرف ٦.

إذا قام المستخدم بتوصيل خرطوم التصريف (١٠) ، فسيتم تصريف المياه باستمرار للحوض / حوض الاستحمام أو أي حاوية خارجية أخرى ستقوم بإعادتها
يتميز الجهاز بمنفذ تصريف مستمر للمياه (١٤) - انظر إلى الصورة ٣. يلزم إخراج خزان المياه (Y) لتجميع خرطوم الصرف (١٠) إلى منفذ الصرف المستمر
للمياه (١٤). يجب وضع خرطوم الصرف (١٠) (بقطر داخلي ١٠ مم) على المنفذ (١٤) فتحة تصريف كما هو موضح في الصورة ٣. يمكن تصريف المياه
(١٤) باستمرار من المنفذ

(١٠) ب. لا تقم بتوصيل خرطوم الصرف ٦.

إذا لم يتم تصريف خرطوم التصريف (١٠) ، فسيتم تصريف المياه إلى خزان المياه (Y). عند امتلاء خزان المياه (Y) ، سيتوقف الجهاز عن العمل
تلقائياً

وظيفة إزالة الصقيع التلقائي 7.

عندما يتراكم الصقيع على ملف المبخر المدمج ، سينطفئ الضاغط وسيخضع الجهاز في وضع التذويب الذاتي تلقائياً. بعد الانتهاء من وضع التذويب ، سيعود

الجهاز إلى إعدادات التشغيل السابقة. عندما يعمل الجهاز في غرفة تتراوح درجة حرارتها بين ٥ درجات مئوية و ١٢ درجة مئوية ، فإنه يدخل في وضع التذويب
الذاتي كل ٣٠ دقيقة تقريباً. عندما يعمل الجهاز في غرفة تتراوح درجة حرارتها بين ١٢ درجة مئوية و ٢٠ درجة مئوية ، فإنه يدخل في وضع التذويب الذاتي
كل ٤٥ دقيقة تقريباً

التنظيف والصيانة

أوقف تشغيل الوحدة وافصل قابس الطاقة قبل البدء في أي تنظيف أو صيانة روتينية أخرى ١.

لتجنب خطر التعرض لصدمة كهربائية ، لا تقم مطلقاً برش الماء أو سكبها على جهاز إزالة الرطوبة عند التنظيف ٢.

قم بإيقاف تشغيل الجهاز وإفراغ الماء من خزان المياه قبل تحريك الجهاز. تأكد من الإمساك بالمقبض أثناء الحركة ٣.

امسح غلاف الجهاز بقطعة قماش مبللة ٤.

لا تقم بفك العوامة (١١) من خزان المياه (Y). لتنظيف خزان المياه (Y) ، لا تستخدم المنظفات ، أو منصات التنظيف ، أو أقمشة الغبار المعالجة كيميائياً ، أو ٥.
البنزين ، أو البنزين ، أو النتر ، أو المذيبات الأخرى ، حيث يمكن أن تخدش الخزان وتتلفه وتتسبب في تسرب المياه

(١٠). قبل التشغيل المستمر المخطط له لفترة طويلة ، يلزم إجراء فحص دوري خاصة بالنسبة لمرشح الهواء الصافي (١٢) وخرطوم التصريف ٦.

لتنظيف: ٧

، (٧) فصل القابس وأخرج خزان المياه -

، قم بإزالة الشبكة (١٣) كما هو موضح بالصورة ٦ -

، (١٣) قم بإزالة مرشح الهواء الصافي (١٢) برفق من شبكة المرشح -

نظف الفلتر كل أسبوعين بالمكنسة الكهربائية. مرر مكنسة كهربائية برفق فوق سطح مرشح الهواء (١٢) لإزالة الأوساخ. إذا كان فلتر الهواء (١٢) متسخاً -

- بشكل استثنائي، اغسله بالماء الدافئ ومنظف معتدل وجفف جيدًا. قد ينخفض أداء إزالة الرطوبة عندما يكون المرشح مسدودًا بالحطام.
- ضع الفلتر داخل شبكة الفلتر وقم بتجميعها مرة أخرى في غلاف الجهاز -
- لا تنظف الجهاز بالبيززين أو سائل التتر أو المنظفات السائلة. ٨.
- التخزين: عند عدم استخدام الجهاز لفترة طويلة وتريد تخزينه لاحظ الخطوات التالية ٩.
- إفراغ أي ماء متبقي في خزان المياه -
- اطو سلك التيار الكهربائي (٨) وضعه داخل خزان الماء (٧) بالداخل -
- (١٢) تنظيف فلتر الهواء الصافي -
- التخزين في مكان بارد وجاف -

استكشاف الأخطاء وإصلاحها
في حالة حدوث أي حالة مذكورة أدناه، يرجى التحقق من العناصر التالية قبل الاتصال بخدمة العملاء

- المشكلة ١: الجهاز لا يعمل
- السبب المحتمل ١: هل تم فصل سلك الطاقة؟
- حل المشكلة: قم بتوصيل سلك الطاقة بالمأخذ
- يومض؟ (H) السبب المحتمل ٢: هل مؤشر خزان المياه ممتلئ
- حل المشكلة: الخزان ممتلئ أو في وضع خاطئ. أفرغ خزان المياه (٧) ثم أعد وضع الخزان
- السبب المحتمل ٣: هل درجة حرارة الغرفة أعلى من ٣٥ درجة مئوية أو أقل من ٥ درجات مئوية؟
- حل المشكلة: يتم تنشيط جهاز الحماية المدمج ولا يمكن بدء تشغيل مزيل الرطوبة في درجة حرارة الغرفة التي تزيد عن ٣٥ درجة مئوية أو أقل من ٥ درجات مئوية
- المشكلة ٢: وظيفة إزالة الرطوبة لا تعمل
- السبب المحتمل الأول: هل مرشح الهواء الصافي (١٢) مسدود؟
- مشكلة الحل ١: قم بتنظيف مرشح الهواء كما هو موضح تحت "التنظيف والصيانة" - النقطة ٧
- السبب المحتمل الثاني: هل مدخل الهواء (٥) أم مخرج الهواء (٢) مسدود؟
- حل المشكلة: إزالة العائق
- المشكلة ٣: لا يتم تصريف الهواء
- السبب المحتمل الأول: هل مرشح الهواء الصافي (١٢) مسدود؟
- حل المشكلة: نظف مرشح الهواء كما هو موضح تحت عنوان "التنظيف والصيانة" - النقطة ٧
- المشكلة ٤: العملية صاخبة
- السبب المحتمل ١: هل الجهاز مائل أم غير مستقر؟
- حل المشكلة: انقل الجهاز إلى سطح ثابت ومستو وقوي
- السبب المحتمل الثاني: هل مرشح الهواء الصافي (١٢) مسدود؟
- حل المشكلة: نظف مرشح الهواء كما هو موضح تحت عنوان "التنظيف والصيانة" - النقطة ٧
- (J) الموضع على المؤشر الرقمي E1 المشكلة ٥: كود
- السبب المحتمل ١: ماس كهربائي لفائف أو دائرة كهربائية مفتوحة
- حل المشكلة: اتصل بالبائع الذي أصدر فاتورة الشراء

التاريخ الفني:

قدرة إزالة الرطوبة عند ٣٠ درجة مئوية / ٨٠٪ رطوبة نسبية): ١٠ لترات / ٢٤ ساعة
مستوى الضوضاء: >= ٤٢ ديسيبل (A)

سعة خزان المياه: ٢,٠ لتر

تدفق الهواء: ١٥٠ م^٣ / ساعة

جرام 45 R290 وزن سائل التبريد

٧٧مدخلات الطاقة المقدرة: ٢٨٠

مصدر الطاقة: ٢٢٠-٢٤٠ فولت ~ ٥٠ هرتز

الحذر من خطر نشوب حريق

لا تخرق أو تحرق

اعلم أن المبرد قد لا يحتوي على رائحة

يجب تركيب وتشغيل وتخزين الجهاز في غرفة بمساحة أرضية أكبر من ٤ م^٢

.. الحد الأقصى لمقدار شحن غاز التبريد: ٤٥ جم



الحذر من خطر نشوب حريق

لا تخرق أو تحرق

اعلم أن المبرد قد لا يحتوي على رائحة

يجب تركيب وتشغيل وتخزين الجهاز في غرفة بمساحة أرضية أكبر من ٤ م^٢

الحد الأقصى لمقدار شحن غاز التبريد: ٤٥ جم

يرجى نقل عبوات الورق المقوى إلى نفايات الورق. اسكب أكياس البولبي إيثيلين في الحاوية البلاستيكية
يجب إعادة الجهاز البالي إلى نقطة تخزين مناسبة لأنه خطير في الجهاز
قد تشكل المكونات تهديدًا للبيئة. يجب تسليم الجهاز الكهربائي للحد

فعليك إرجاعها وإعطائها إلى النقطة المخزنة بشكل منفصل، إعادة استخدامها واستخدامها. إذا كان هناك بطاريات في الجهاز



УСЛОВИЯ ЗА БЕЗОПАСНОСТ. ВАЖНИ ИНСТРУКЦИИ ЗА БЕЗОПАСНОСТ НА ИЗПОЛЗВАНЕ. МОЛЯ, ПРОЧЕТЕТЕ ВНИМАТЕЛНО И ПАЗЕТЕ ЗА БЪДЕЩИ РЕФЕРЕНЦИИ

1. Преди да използвате продукта, моля, прочетете внимателно и винаги спазвайте следните инструкции. Производителят не носи отговорност за щети, причинени от злоупотреба.
2. Продуктът трябва да се използва само на закрито. Не използвайте продукта за цели, които не са съвместими с приложението му.
3. Устройството трябва да бъде свързано само към променливотоков контакт със заземено напрежение 220 240V ~ 50Hz. За да се повиши безопасността при работа, няколко електрически устройства не трябва да бъдат свързани към един контакт едновременно.
4. Внимавайте изключително много, когато използвате устройството, когато децата са наблизо. Не позволявайте на децата да играят с устройството, не позволявайте на деца или хора, които не са запознати с устройството, да го използват.
5. **ПРЕДУПРЕЖДЕНИЕ:** Това оборудване може да се използва от деца над 8-годишна възраст и хора с ограничени физически, сензорни или умствени способности или хора, които нямат опит или познания за устройството, ако това се прави под наблюдението на отговорно лице за тяхната безопасност или им е била предоставена информация за безопасното използване на устройството и са наясно с опасностите от използването му. Децата не трябва да играят с оборудването. Почистването и поддръжката на устройството не трябва да се извършва от деца, освен ако са на възраст над 8 години и тези дейности се извършват под наблюдение.
6. Винаги изключвайте щепсела след употреба, като държите контакта с ръка. НЕ дърпайте захранващия кабел.
7. Не потапяйте кабела, щепсела и цялото устройство във вода или друга течност. Не излагайте устройството на атмосферни условия (дъжд, слънце и др.) Не използвайте в условия на висока влажност (бани, влажни мобилни домове).
8. Периодично проверявайте състоянието на захранващия кабел. Ако захранващият кабел е повреден, той трябва да бъде заменен от специализиран сервиз, за да се избегне опасност.
9. Не използвайте уреда с повреден захранващ кабел или ако той е изпуснат или повреден по някакъв друг начин, или ако не работи правилно. Не ремонтирайте устройството сами, тъй като съществува риск от токов удар. Занесете повреденото устройство в подходящ сервизен център за проверка или ремонт. Всички ремонти могат да се извършват само от оторизирани сервизни центрове. Неправилно извършените ремонти могат да създадат сериозна опасност за потребителя.
10. Поставете устройството на хладна, стабилна повърхност, далеч от горещи кухненски уреди като: електрическа печка, газови котлони и др.

11. Уверете се, че нищо не блокира входа и изхода за въздух на устройството
12. Използвайте устройството само на равна повърхност, за да предотвратите изтичането на конденз.
13. За да се осигури допълнителна защита, препоръчително е да се инсталира устройство за остатъчен ток (RCD) в електрическата верига с номинален остатъчен ток, който не надвишава 30 mA. Попитайте електротехник за това.
14. Почиствайте редовно въздушния филтър. Честотата на почистване зависи от чистотата на въздуха.
15. След като изключите машината, изчакайте поне 5 минути, преди да я включите отново.
16. За ефективно изсушаване трябва да се използва празнина от поне 20 см между страничните стени на устройството и мебели или завеси.
17. За да избегнете риск от пожар или експлозия, не пръскайте обезвлажнителя.
18. Преди да използвате уреда, не поставяйте обезвлажнителя близо до устройства, които излъчват топлина.
19. Отстранете събраната вода в резервоара. Случайното пиене на вода или консумирането с други хора могат да причинят заболяване.
20. Не използвайте устройството със свален заден капак поради движещи се и горещи части.
21. Не използвайте други за други експлоатационни процеси, различни от тези препоръчани от производителя.
22. Устройството трябва да се съхранява в помещение без непрекъснато работещи източници на топлина и огън, такива като: открит огън, работещ газов уред или електрически нагревател.
23. Не пробивайте и не пушете около уреда.
24. Моля, обърнете внимание, че производителите на хладилни агенти може да не предлагат продукти с аромат.

Преди първа употреба:

1. Обезвлажнителят за въздух трябва да се използва на равна и стабилна повърхност, да се спазват разстояния между устройството и други предмети съгласно снимка 1, за да се осигури подходяща ефективност. Затворете всички прозорци и врати на помещението, в което искате да обезвлажните въздуха.
2. За да предотвратите замръзване на водата, не използвайте обезвлажнителя и маркуча за източване при температура на околната среда под 0 °C
3. Не използвайте обезвлажнителя навън. Излагането на пряка слънчева светлина или дъжд може да доведе до прегряване, токов удар и пожар.
4. Не поставяйте резервоара за вода върху обезвлажнителя, за да избегнете разливане на вода във вътрешността на уреда и влошаване на изолацията.
5. Никога не се опитвайте да използвате обезвлажнителя за специални цели, като обезводняване на храни или подпомагане съхранението на произведения на изкуството или други подобни.

6. Не използвайте обезвлажнителя там, където може да се получи изтичане на масло или запалим газ. Не използвайте устройството на места, подложени на химикали.
7. За непрекъснато източване се уверете, че маркучът за източване е настроен правилно и с наклон.
8. Внимавайте за отоплителни уреди изложени в полето на работа на обезвлажнителя.
9. Не използвайте обезвлажнителя като стол или подложка за крака.
10. Не сваляйте поплавъчния лост от резервоара за вода.
11. Не блокирайте изходите за въздух и изпускателните отвори.
12. Не покривайте устройството с изпрани дрехи.
13. Преди продължителна експлоатация е необходима периодична проверка, особено за чистотата на въздушния филтър, маркуча за източване или други подобни.
14. Устройството се монтира, експлоатира и съхранява в помещение с площ над 4 кв.м и в помещение с добра вентилация.
15. Никога не поставяйте пръстите си, пръчките, в изходния и входния отвор за въздух.

Описание на продукта: AD7861 Изсушител на въздух (снимка 2)

- | | | |
|------------------------------|--|----------------------------|
| 1. Дръжка за лесно пренасяне | 2. Изход за въздух | 3. Заден корпус |
| 4. Контролен панел | 5. Вход за въздух | 6. Преден корпус |
| 7. Резервоар за вода 2.0L | 8. Захранващ кабел | 9. Крак |
| 10. Дренажен маркуч | 11. Поплавъчен умивалник | 12. Мрежен въздушен филтър |
| 13. Филтърна решетка | 14. Непрекъснат порт за оттичане на вода | |

контролен панел

- | | |
|--|---|
| A. Бутон за захранване | B. Бутон за намаляване на желаната влажност |
| C. Бутон за увеличаване на желаната влажност | D. Бутон за таймер 0-24 часа |
| E. Индикатор на таймера | F. индикатор за саморазмразяване |
| G. Индикатор за активността на компресора | H. Индикатор за пълен воден резервоар |
| J. Цифров индикатор "88". | |

Цифровият индикатор "88" (J) ще покаже:

- избрано желано ниво на влажност в диапазона: 30-90 процента от относителната влажност (RH)
- часове в диапазон: 1-24, когато програмите отложен старт или отложено спиране
- "LO" – означава ниска, когато влажността на околната среда е под 35%
- "HI" - означава висока, когато влажността на околната среда е по-висока от 95%,

УПОТРЕБА

1. Включете устройството в контакта.
 2. Натиснете бутона за захранване (A), за да започнете работа, цифровият индикатор "88" (J) ще светне. Натиснете отново бутона за захранване (A), за да спрете работата.
 3. Натиснете долната част (C) или (D), за да зададете желаното ниво на влажност в помещението, което може да бъде зададено от 30% до 90% на 5% интервали или „CO“.
- След период на работа:
- когато влажността на околната среда е по-ниска от избраната влажност с 2%, компресорът ще спре,
 - когато влажността на околната среда е равна или по-висока от избраната влажност с 3%, компресорът ще се рестартира веднъж след 3-минутно време за защита на компресора.

4. ФУНКЦИЯ ТАЙМЕР

- Натиснете бутона на таймера (D) и програмирайте времето:
- когато устройството е включено, за да настроите функцията за отложено спиране: Многократно натискане на бутона на таймера (D) настройте желаното време, то ще циркулира от 0-1-2.....23-24. Индикаторът за време (E) ще светне. Устройството ще спре да работи, когато изтече желаното време.
 - когато устройството е изключено, за да настроите функцията за отложен старт: Многократно натискане на бутона на таймера (D) настройте желаното време, то ще циркулира от 0-1-2.....23-24. Индикаторът за време (E) ще светне. Устройството ще започне работа, когато изтече желаното време.
- За да отмените програмирането на таймера, натиснете бутона на таймера (D) до нула. Програмираното време остава непроменено, ако машината спре да работи поради пълен воден

резервоар или по време на саморазмразяване.

5. ОТТОЧВАНЕ НА РЕЗЕРВОАРА ЗА ВОДА

Когато резервоарът за вода (7) е пълен, индикаторът (H) светва, операцията ще спре автоматично и зумерът ще бипне 15 пъти, за да предупреди потребителя, че водата трябва да се изпразни от резервоара за вода (7). Вижте снимки 4 и 5. Процедурата за оттичане на водата е:

- Леко натиснете страните на резервоара (7) с две ръце и издърпайте резервоара внимателно.

- Излейте събраната вода. Ако резервоарът за вода (7) е замърсен, измийте го със студена или хладка вода.

ЗАБЕЛЕЖКА: Не отстранявайте поплавъка (11) от резервоара за вода (7). Вграденият сензор за пълна вода вече няма да може да открива правилно нивото на водата без поплавъка (11) и устройството ще спре да работи.

- Когато поставяте обратно резервоара за вода (7), натиснете силно резервоара на място с две ръце. Ако резервоарът не е позициониран правилно, вграденият сензор за пълна вода няма да се активира, така че влагоуловителя няма да работи.

6. ФУНКЦИЯ ЗА НЕПРЕКЪСНАТО ОТТОЧВАНЕ НА ВОДА

Когато зададете нивото на влажност на „CO“ на цифровия дисплей (J), компресорът ще работи непрекъснато. Потребителят може:

6.а. свържете дренажния маркуч (10)

Ако потребителят свърже дренажния маркуч (10), водата ще се оттича непрекъснато към мивката/ваната или друг външен контейнер, който ще поставите. Устройството разполага с непрекъснат отвор за оттичане на вода (14) - вижте снимка 3. Необходимо е да извадите резервоара за вода (7), за да монтирате дренажния маркуч (10) към отвора за непрекъснато оттичане на вода (14). Маркучът за източване (10) (с вътрешен диаметър 10 mm) трябва да бъде поставен върху дренажния отвор на порта (14), показан на фигура 3. Водата може непрекъснато да се източва от порта (14).

6.б. не свързвайте дренажния маркуч (10).

Ако потребителят не свърже дренажния маркуч (10), водата ще се оттича в резервоара за вода (7). Когато резервоарът за вода (7) се напълни, устройството автоматично ще спре да работи.

7. ФУНКЦИЯ АВТОМАТИЧНО РАЗМРАЗЯВАНЕ

Когато върху вградената намотка на изпарителя се натрупа скреж, компресорът ще се изключи и устройството автоматично ще премине в режим на саморазмразяване. След завършване на режима на размразяване, устройството ще се върне към предишните работни настройки. Когато устройството работи в стая с температура между 5 градуса по Целзий и 12 градуса по Целзий, то ще влиза в режим на саморазмразяване приблизително на всеки 30 минути. Когато устройството работи в стая с температура между 12 градуса по Целзий и 20 градуса по Целзий, то ще влиза в режим на саморазмразяване приблизително на всеки 45 минути.

Почистване и поддръжка

1. Изключете уреда и извадете щепсела от контакта, преди да започнете почистване или друга рутинна поддръжка.

2. За да избегнете риска от токов удар, никога не пръскайте и не разливайте вода върху влагоуловителя, когато почиствате.

3. Изключете устройството и източете водата от резервоара за вода, преди да преместите устройството. Не забравяйте да държите за дръжката, докато се движите.

4. Избършете корпуса на устройството с мокра кърпа.

5. Не разглобявайте поплавъка (11) от резервоара за вода (7). За почистване на резервоара за вода (7) не използвайте почистващ препарат, тампони за почистване, химически третирани кърпи за прах, бензин, бензол, разреждател или други разтворители, тъй като те могат да надраскат и повредят резервоара и да причинят изтичане на вода.

6. Преди планирана продължителна работа за дълъг период е необходима периодична проверка, особено за мрежестия въздушен филтър (12) и дренажния маркуч (10).

7. За да почистите или смените филтрите трябва да:

- извадете щепсела и извадете резервоара за вода (7),

- отстранете решетката (13), както е показано на фигура 6,

- отстранете внимателно мрежестия въздушен филтър (12) от филтърната решетка (13),

- почиствайте филтъра на всеки две седмици с прахосмукачка. Прокарайте леко прахосмукачка по повърхността на въздушния филтър (12), за да отстраните мръсотията. Ако въздушният филтър (12) е изключително замърсен, измийте го с топла вода и мек почистващ препарат и подсушете добре.

Ефективността на обезвлажняване може да намалее, когато филтърът е запушен с отломки.

- поставете филтъра във филтърната решетка и ги сглобете обратно в корпуса на устройството.

8. Не почиствайте устройството с бензин, разреждател или течен препарат.

9. Съхранение: когато устройството не се използва за дълъг период от време и искате да го съхраните, обърнете внимание на следните стъпки:

- Изпразнете останалата вода в резервоара за вода.
- Сгънете захранващия кабел (8) и го поставете в резервоара за вода (7) вътре.
- Почистете мрежестия въздушен филтър (12).
- Съхранение на хладно и сухо място.

ОТСТРАНЯВАНЕ НА НЕИЗПРАВНОСТИ

Ако възникне състояние, изброено по-долу, моля, проверете следните елементи, преди да се обадите на отдела за обслужване на клиенти.

Проблем 1: Устройството не работи.

Възможна причина 1: Изключен ли е захранващият кабел?

Решение на проблема: Включете захранващия кабел в контакта.

Възможна причина 2: Индикаторът за пълен воден резервоар (H) мига ли?

Решение на проблема: Резервоарът е пълен или е в грешна позиция. Изпразнете резервоара за вода (7) и след това преместете резервоара.

Възможна причина 3: Температурата на помещението над 35 градуса по Целзий ли е или под 5 градуса по Целзий?

Решение на проблема: Вграденото защитно устройство е активирано и влагоуловителя не може да се стартира при температура на помещението над 35 градуса по Целзий или под 5 градуса по Целзий.

Проблем 2: Функцията за обезвлажняване не работи

Възможна причина 1: Запушен ли е мрежовият въздушен филтър (12)?

Решение на проблема 1: Почистете въздушния филтър, както е указано в „Почистване и поддръжка“ – точка 7.

Възможна причина 2: Запушен ли е входът за въздух (5) или изходът за въздух (2)?

Решение на проблема: Отстранете препятствието.

Проблем 3: Не се изпуска въздух.

Възможна причина 1: Запушен ли е мрежовият въздушен филтър (12)?

Решение на проблема: Почистете въздушния филтър, както е указано в "Почистване и поддръжка" - точка 7.

Проблем 4: Работата е шумна

Възможна причина 1: Устройството е наклонено или нестабилно позиционирано?

Решение на проблема: Преместете устройството на стабилна, равна и здрава повърхност.

Възможна причина 2: Запушен ли е мрежовият въздушен филтър (12)?

Решение на проблема: Почистете въздушния филтър, както е указано в "Почистване и поддръжка" - точка 7.

Проблем 5: Код E1, показан на цифровия индикатор (J)

Възможна причина 1: Късо съединение или отворена верига на сензора на бобината

Решение на проблема: Свържете се с продавача, който ви е издал сметката за покупка.

ТЕХНИЧЕСКА ДАТА:

Капацитет на изсушаване при 30°C / 80% RH): 10 литра / 24 часа

Ниво на шум: <= 42dB(A)

Капацитет на резервоара за вода: 2.0 литра

Въздушен поток: 150m³/час

Тегло на охлаждащата течност R290: 45 грама

Номинална входна мощност: 280W

Захранване: 220-240V ~50Hz



Внимание, риск от пожар.

НЕ пробивайте и не изгаряйте.

Имайте предвид, че хладилният агент може да не съдържа миризма.

Устройството се монтира, експлоатира и съхранява в помещение с площ над 4 м².

Максимално количество зареден хладилен агент: 45g.

За да защитите околната среда: моля, отделете картонените кутии и найлоновите торбички и ги изхвърлете в съответните кошчета за отпадъци. Използваният уред трябва да бъде доставен до специалните пунктове за събиране, поради опасни компоненти, които могат да повлияят на околната среда. Не изхвърляйте този уред в обикновен кош за отпадъци



ÜMUMİ TƏHLÜKƏSİZLİK ŞƏRTLƏRİ

ƏHƏMİYYƏTLİ TƏHLÜKƏSİZLİK TƏLİMATLARINI DİQQƏTLƏ OXUYUN VƏ GƏLƏCƏK İSTİFADƏ ÜÇÜN SAXLAYIN

1. Cihazı istifadə etməzdən əvvəl, istismar kitabçasını oxuyun və orada olan təlimatlara əməl edin. İstehsalçı cihazın təyinatına zidd istifadə edilməsi və ya düzgün işləməməsi nəticəsində dəyən ziyanə görə məsuliyyət daşımır.
2. Cihaz yalnız evdə istifadə üçündür. Təyinatına uyğun olmayan başqa məqsədlər üçün istifadə etməyin.
3. Cihaz yalnız torpaqlanmış 220 240V ~ 50Hz olan AC çıxışına qoşulmalıdır. Əməliyyat təhlükəsizliyini artırmaq üçün birdən çox elektrik cihazı eyni vaxtda bir cərəyan dövrəsinə qoşulmamalıdır.
4. Uşaqlar yaxınlıqda olduqda cihazdan istifadə edərkən son dərəcə ehtiyatlı olun. Uşaqların cihazla oynamasına icazə verməyin, uşaqların və ya cihazla tanış olmayan şəxslərin ondan istifadə etməsinə icazə verməyin.
5. XƏBƏRDARLIQ: Bu avadanlıq 8 yaşdan yuxarı uşaqlar və məhdud fiziki, duyğu və ya əqli qabiliyyəti olan insanlar və ya avadanlıq haqqında heç bir təcrübəsi və ya biliyi olmayan insanlar tərəfindən istifadə edilə bilər, əgər bu məsul şəxsin nəzarəti altında aparılırsa onların təhlükəsizliyi üçün və ya onlara cihazın təhlükəsiz istifadəsi haqqında məlumat verilmişdir və ondan istifadənin təhlükələrindən xəbərdardırlar. Uşaqlar avadanlıqla oynamamalıdırlar. Cihazın təmizlənməsi və saxlanması 8 yaşdan yuxarı olmadıqda və bu fəaliyyətlər nəzarət altında həyata keçirildikdə uşaqlar tərəfindən həyata keçirilməməlidir.
6. İstifadədən sonra həmişə rozetkadan əlinizlə tutaraq elektrik fişini ayırın. Elektrik kabelindən ÇƏKMƏYİN.
7. Kabeli, ştəpseli və bütün cihazı suya və ya hər hansı digər mayeyə batırmayın. Cihazı atmosfer şəraitinə (yağış, günəş və s.) məruz qoymayın və ya yüksək rütubət şəraitində (hamam otaqları, nəm mobil evlər) istifadə etməyin.
8. Elektrik kabelinin vəziyyətini vaxtaşırı yoxlayın. Elektrik kabeli zədələndikdə, təhlükənin qarşısını almaq üçün onu mütəxəssis təmir sexi əvəz etməlidir.
9. Cihazı zədələnmiş elektrik kabeli ilə və ya yerə düşmüş və ya hər hansı başqa şəkildə zədələnmiş və ya düzgün işləmirsə istifadə etməyin. Cihazı özünü təmir etməyin, çünki elektrik şoku riski var. Zədələnmiş cihazı yoxlamaq və ya təmir etmək üçün müvafiq xidmət mərkəzinə aparın. Bütün təmir işləri yalnız səlahiyyətli xidmət mənəqələri tərəfindən aparıla bilər. Yanlış yerinə yetirilən təmir istifadəçi üçün ciddi təhlükə yarada bilər.
10. Cihazı sərin, dayanıqlı bir səthə, isti mətbəx cihazlarından uzaqda yerləşdirin, məsələn: elektrik sobası, qaz ocağı və s.

11. Cihazın hava giriş və çıxışını heç nə ilə bağlamadığından əmin olun
12. Kondensasiyanın tökülməsinin qarşısını almaq üçün cihazı yalnız düz bir səthdə istifadə edin
13. Əlavə mühafizəni təmin etmək üçün nominal qalıq cərəyanı 30mA-dan çox olmayan elektrik dövrəsində qalıq cərəyan qurğusunun (RCD) quraşdırılması məqsəduyğundur. Bunun üçün bir elektrikçidən soruşun.
14. Hava filtrini mütəmadi olaraq təmizləyin. Təmizləmə tezliyi havanın təmizliyindən asılıdır.
15. Maşını söndürdükdən sonra yenidən iş salmazdan əvvəl onu azı 5 dəqiqə gözləyin.
16. Effektiv təmizləmə üçün cihazların yan divarları ilə sıxılmış mebel və ya pərdələr arasında onu azı 20 sm boşluq istifadə edilməlidir.
17. Yanğın və ya partlayış riskinin qarşısını almaq üçün quruducuya püskürtməyin
18. Korpus hissələrini istifadə etmək üçün təmizləyicini istilik cihazlarının yanında qoymayın.
19. Çirkin yığılmış suyu çıxarın. Təmiz su içmək və ya başqa insanlarla birlikdə istifadə etmək xəstəliyə səbəp ola bilər.
20. Hərəkətli və istilik hissələrini görə arxa qapağı çıxarılan cihazları dəstəkləyin.
21. İstehsalçı tərəfindən tövsiyə olunanlardan başqa rəhim və ya mülkiyyət prosesini həyata keçirmək üçün heç bir vasitədən istifadə etməyin.
22. Cihaz alovlanma mənbələrinin daimi siyahısının bir hissəsi kimi, yəni açıq alov olmadan, işləyən qaz qurğusu və ya işləyən cihaz qızdırıcısı olmadan mövcud olmalıdır.
23. Pirs etməyin və siqaret çəkməyin.
24. Nəzərə alın ki, soyuducu istehsalçıların tərkibində tirlənməyə bilər.

İlk istifadədən əvvəl:

1. Nəmləndirici düz və sabit bir səthdə istifadə edilməli, uyğun səmərəliliyi təmin etmək üçün Şəkil 1-ə uyğun olaraq qurğu ilə digər obyektlər arasında məsafə saxlanmalıdır. Havanı nəmləndirmək istədiyiniz otağın bütün pəncərə və qapılarını bağlayın.
2. Suyun donmasının qarşısını almaq üçün 0°C-dən aşağı mühit temperaturunda nəmləndirici və drenaj hortumundan istifadə etməyin.
3. Nəmləndiricidən kənarında istifadə etməyin. Birbaşa günəş işığına və ya yağışa məruz qalmaq həddindən artıq istiləşmə, elektrik şoku və yanğınla nəticələnə bilər.
4. Su çənini nəmləndiricinin üzərinə qoymayın ki, cihazın içərisinə su tökülməsinə və izolyasiyanı pisləşdirsin.
5. Heç vaxt nəmləndiricini xüsusi məqsədlər üçün istifadə etməyə çalışmayın, məsələn, qidanın nəmləndirilməsi və ya sənət əşyalarının saxlanması və ya bu kimi işlər.
6. Yağ və ya yanan qaz sızmasının baş verə biləcəyi yerlərdə nəmləndiricidən istifadə etməyin. Cihazı kimyəvi maddələrə məruz qalan yerlərdə istifadə etməyin.
7. Davamlı drenaj üçün drenaj hortumunun yamacla düzgün qurulduğundan əmin olun.
8. Ehtiyatlı olun ki, istilik cihazı nəmləndiricidən gələn küləyə məruz qalmasın.
9. Nəmləndiricini stul və ya ayaq taburesi kimi istifadə etməyin.
10. Şamandıra qolunu su çənindən çıxarmayın.
11. Hava girişlərini və hava çıxışlarını bağlamayın.
12. Cihazı yuyulmuş paltarla örtməyin.
13. Uzun müddət fasiləsiz işləməzdən əvvəl, xüsusilə hava təmizləyici filtr, drenaj hortumu və ya bu kimi şeylər üçün dövrə yoxlama tələb olunur.
14. Qurğunun quraşdırılması, istismarı və saxlanması sahəsi 4 kvadratmetrdən çox olan otaqda və yaxşı havalandırılan otaqda aparılmalıdır.
15. Heç vaxt barmaqlarınızı, çubuqlarınızı hava çıxışı və girişinə qoymayın.

Məhsulun təsviri: AD7861 Hava nəmləndiricisi (şəkil 2)

- | | | |
|-----------------------------|--------------------|----------------|
| 1. Asan daşıma üçün tutacaq | 2. Hava çıxışı | 3. Arxa korpus |
| 4. İdarəetmə paneli | 5. Hava girişi | 6. Ön korpus |
| 7. Su çəni 2.0L | 8. Elektrik kabeli | 9. Ayaq |

10. Boşaltma şlanqı
13. Filtr şebəkəsi

11. Float laver
14. Davamlı su drenaj portu

12. Net hava filtri

idare paneli

A. Enerji düyməsi
C. İstədiyiniz rütubətin artırılması düyməsi
E. Taymer göstəricisi
G. Kompresorun fəaliyyət göstəricisi
J. Rəqəmsal "88" göstəricisi

B. İstədiyiniz rütubətin azaldılması düyməsi
D. Taymer 0-24 saat düyməsi
F. özünü defrost göstəricisi
H. Tam su çəni göstəricisi

Rəqəmsal "88" göstəricisi (J) göstərəcək:

- diapazonda seçilmiş istənilən rütubət səviyyəsi: nisbi rütubətin 30-90 faizi (RH)
- diapazonda saat: 1-24, gecikmiş başlanğıc və ya gecikmiş dayandırma proqramlaşdırdığınız zaman
- "LO" – ətraf mühitin rütubəti 35%-dən aşağı olduqda aşağı deməkdir
- "HI" - ətraf mühitin rütubəti 95%-dən yüksək olduqda yüksək deməkdir,

İSTİFADƏ

1. Cihazı qoşun.

2. İşə başlamaq üçün güc düyməsini (A) basın, rəqəmsal "88" göstəricisi (J) yanacaq. İşə dayandırmaq üçün yenidən güc düyməsini (A) basın.

3. Otaqda istənilən rütubət səviyyəsini 5% intervalla 30%-dən 90%-ə qədər və ya "CO" təyin etmək üçün aşağıya (C) və ya (D) basın.

Bir müddət işlədikdən sonra:

- ətraf mühitin rütubəti seçilmiş rütubətdən 2% aşağı olduqda, kompressor dayanacaq,
- ətraf mühitin rütubəti seçilmiş rütubətə 3% bərabər və ya ondan yüksək olduqda, kompressor 3 dəqiqəlik mühafizə müddəti bitdikdən sonra kompressor yenidən işə düşəcək.

4. TAYMER FUNKSİYASI

Taymer düyməsini basın (D) proqram vaxtıdır:

- gecikmiş dayandırma funksiyasını qurmaq üçün cihaz işə salındıqda:

Taymer düyməsini (D) təkrar-təkrar basaraq istədiyiniz vaxtı tənzimləyin, 0-1-2.....23-24 arasında dövr edəcək. Vaxt göstəricisi (E) yanır. İstədiyiniz vaxt keçdikdə cihaz fəaliyyətini dayandıracaq.

- gecikmiş başlanğıc funksiyasını qurmaq üçün cihaz söndürüldükdə:

Taymer düyməsini (D) təkrar-təkrar basaraq istədiyiniz vaxtı tənzimləyin, 0-1-2.....23-24 arasında dövr edəcək. Vaxt göstəricisi (E) yanır. İstədiyiniz vaxt keçdikdə cihaz işə başlayacaq.

Taymeri proqramlaşdırmanı ləğv etmək üçün taymer düyməsini (D) sıfıra basın.

Maşın su çəninin dolu olması və ya özünü əriməsi zamanı işləməyi dayandırarsa, proqramlaşdırılmış vaxt dəyişməz olaraq qalır.

5. SU ÇANININ DRENAJİ

Su çəni (7) dolu olduqda, göstərici (H) yanır, əməliyyat avtomatik olaraq dayanır və istifadəçiyə suyun su çənindən (7) boşaldılması lazım olduğunu bildirmək üçün səs signalı 15 dəfə signal verir. Şəkil 4 və 5-ə baxın.

Suyun drenajı proseduru belədir:

- İki əlinizlə çənin (7) yanlarına yüngülcə basaraq çəni yumşaq bir şəkildə çıxarın.

- Yığılmış suyu tökün. Su çəni (7) çirklidirsə, onu soyuq və ya ilıq su ilə yuyun.

QEYD: Üzən lavanı (11) su çənindən (7) çıxarmayın. Quraşdırılmış tam su sensoru artıq şamandıra (11) olmadan suyun səviyyəsini düzgün müəyyən edə bilməyəcək və cihaz fəaliyyətini dayandıracaq.

- Su çəninə (7) yerinə qoyarkən çəni iki əlinizlə möhkəm şəkildə yerinə basdırın. Tank düzgün yerləşdirilmədikdə, quraşdırılmış tam su sensoru işə salınmayacaq, buna görə də nəmləndirici işləməyəcək.

6. DAVAMLİ SU DRENAJ FUNKSİYASI

Rəqəmsal displeyde (J) rütubət səviyyəsini "CO" səviyyəsinə təyin edərkən kompressor fasiləsiz işləyəcək. İstifadəçi edə bilər:

6.a. drenaj hortumunu birləşdirin (10)

Əgər istifadəçi drenaj hortumunu (10) qoşarsa, su davamlı olaraq lavaboya / vannaya və ya quraşdıracağınız başqa qaba boşalacaq. Cihazda fasiləsiz su drenaj portu (14) var - şəkil 3-ə baxın. Boşaltma şlanqını (10) fasiləsiz su boşaltma portuna (14) yığmaq üçün su çəninə (7) çıxarmaq lazımdır. Boşaltma şlanqı (10) (daxili diametri 10 mm olan) Şəkil 3-də göstərilən portun (14) drenaj çuxuruna qoyulmalıdır. Su fasiləsiz olaraq limandan (14) boşaldıla bilər.

6.b. drenaj hortumunu (10) birləşdirməyin.

Əgər istifadəçi drenaj şlanqını (10) qoşmazsa, su su çəninə (7) axacaq. Su çəni (7) dolu olduqda, cihaz avtomatik olaraq fəaliyyətini dayandıracaq.

7. AVTO DEFROST FUNKSİYASI

Quraşdırılmış buxarlandırıcı bobində şaxta yığıldıqda, kompressor sönəcək və cihaz avtomatik olaraq özünü defrost rejiminə keçəcək. Defrost rejimi başa çatdıqdan sonra cihaz əvvəlki iş parametrlərinə qayıdacaq. Cihaz 5 dərəcə Selsi ilə 12 dərəcə Selsi arasında olan bir otaqda işləyərkən, təxminən hər 30 dəqiqədən bir özünü defrost rejiminə keçəcək. Cihaz 12 dərəcə Selsi ilə 20 dərəcə Selsi arasında olan bir otaqda işləyərkən, təxminən hər 45 dəqiqədən bir özünü defrost rejiminə keçəcək.

Təmizlik və Baxım

1. Hər hansı təmizlik və ya digər müntəzəm texniki xidmətə başlamazdan əvvəl cihazı söndürün və elektrik fişini ayırın.
2. Elektrik şoku riskinin qarşısını almaq üçün təmizləyərkən heç vaxt nəmləndiricinin üzərinə su səpməyin və ya tökməyin.
3. Cihazı köçürməzdən əvvəl cihazı söndürün və su çənini boşaltın. Hərəkət edərkən sapdan tutmağınızdan əmin olun.
4. Cihazın korpusunu nəm parça ilə silin.
5. Su çənini (11) su anbarından (7) sökməyin. Su çənini (7) təmizləmək üçün yuyucu tozdan, təmizləyici yastıqlardan, kimyəvi cəhətdən təmizlənmiş toz parçalarından, benzindən, benzoldan, tinerdən və ya digər həlledicilərdən istifadə etməyin, çünki bunlar çəni cızaraq zədələyə və suyun sızmasına səbəb ola bilər.
6. Uzun müddətə planlaşdırılan fasiləsiz istismardan əvvəl, xüsusən də xalis hava filtri (12) və drenaj hortumu (10) üçün dövrü yoxlama tələb olunur.
7. Filtrləri təmizləmək və ya dəyişdirmək üçün:
 - fişini ayırın və su çənini (7) çıxarın,
 - Şəkil 6-da göstəriləni kimi toru (13) çıxarın,
 - təmiz hava filtrini (12) süzgeç torundan (13) yumşaq bir şəkildə çıxarın,
 - filtri hər iki həftədən bir tozsoranla təmizləyin. Kiri təmizləmək üçün tozsoranı hava filtrin (12) səthi üzərində yüngülcə gəzdirin. Hava filtri (12) son dərəcə çirklidirsə, onu ilıq su və yumşaq təmizləyici ilə yuyun və yaxşıca qurudun. Süzgeç zibillə tıxandıqda nəm təmizləmə performansınız azala bilər.
 - filtri filtr torunun içərisinə qoyun və onları yenidən cihazın korpusuna yığın.
8. Cihazı benzin, tiner və ya maye yuyucu vasitə ilə təmizləməyin.
9. Saxlama: cihaz uzun müddət istifadə edilmədikdə və siz onu saxlamaq istədiyiniz zaman aşağıdakı addımları qeyd edin:
 - Su anbarında qalan suyu boşaltın.
 - Enerji təchizatı kabelini (8) qatlayın və içindəki su çənin (7) içərisinə qoyun.
 - Şəbəkə hava filtrini (12) təmizləyin.
 - Sərin və quru yerdə saxlanmalıdır.

GİDERME

Aşağıda sadalanan vəziyyət baş verərsə, müştəri xidmətinə zəng etməzdən əvvəl aşağıdakı elementləri yoxlayın.

Problem 1: Cihaz işləmir.

Mümkün səbəb 1: Elektrik kabeli ayrılıb?

Problemə həlli: Elektrik kabelini rozetkaya qoşun.

Mümkün səbəb 2: Su çəninin dolu göstəricisi (H) yanıb-sönür?

Problemə həlli: Çən doludur və ya yanlış vəziyyətdədir. Su çənini (7) boşaltın və sonra çəni yenidən yerləşdirin.

Mümkün səbəb 3: Otağın temperaturu 35 dərəcədən yuxarıdır, yoxsa 5 dərəcədən aşağıdır?

Problemə həlli: Quraşdırılmış qoruyucu qurğu işə salınıb və 35 dərəcədən yuxarı və ya 5 dərəcədən aşağı olan otaqda nəmləndirici işə salına bilməz.

Problem 2: Nəm çıxarma funksiyası işləmir

Mümkün səbəb 1: Şəbəkə hava filtri (12) tıxanıb?

Həll problemi 1: Hava filtrini "Təmizləmə və Baxım" – 7-ci bənddə göstəriləni kimi təmizləyin.

Mümkün səbəb 2: Hava girişi (5) və ya hava çıxışı (2) tıxanıb?

Problemə həlli: maneəni aradan qaldırın.

Problem 3: Hava boşalmır.

Mümkün səbəb 1: Şəbəkə hava filtri (12) tıxanıb?

Problemə həlli: Hava filtrini "Təmizləmə və Baxım" - 7-ci bənddə göstəriləni kimi təmizləyin.

Problem 4: Əməliyyat səs-küylüdür

Mümkün səbəb 1: Cihaz əyilib və ya qeyri-sabit vəziyyətdədir?

Problemə həlli: Cihazı sabit, bərabər, möhkəm bir səthə köçürün.

Mümkün səbəb 2: Şəbəkə hava filtri (12) tıxanıb?

Problemə həlli: Hava filtrini "Təmizləmə və Baxım" - 7-ci bənddə göstəriləni kimi təmizləyin.

Problem 5: Rəqəmsal göstəricidə (J) göstərilən E1 kodu

Mümkün səbəb 1: Bobin sensorunun qısa qapanması və ya açıq qapanması

Problemə həlli: Sizə alışı fakturasını verən satıcı ilə əlaqə saxlayın.

TEXNIKË TARËX:

30°C / 80% RH-dë nëmlëndirmë qabliyyeti: 10 litr / 24 saat

Sës-küy sëviyyesi: <= 42dB(A)

Su çëninin hëcmi: 2,0 litr

Hava axini: 150 m³/saat

R290 soyuducu kùtlësi: 45 qram

Nominal Giriş Gücü: 280W

Enerji teçizatı: 220-240V ~50Hz



Diqqët, yanğın tëhlükësi.

DELMEYİN vë ya yandırmayın.

Nëzërë alın ki, soyuducuda qoxu olmaya bilër.

Cihaz dõşëmë sahësi 4 m²-dën çox olan otaqda quraşdırılmalı, istismar edilmëli vë saxlanılmalıdır.

Maksimum soyuducu yüklëmë miqdarı: 45 q.



Zhm t olmasa karton qablaşdırmanı tullantı kağıza köçürün. Polietilen torbalari (PE) plastik qaba tökün

Aşınmış cihaz müvafiq anbara qaytarılmalıdır, çünkü o, cihazda t hlük lidir

madd l r traf mühit üçün t hlük yarada bil r. Elektrik cihazı limit q d r t hvil verilim lidir

onun t krar istifad si v istifad si. g r cihazda batareyalar varsa, onu çıxarib ayrıca saxlanan nõt y verm k lazımdır.

(ALB) SHQIPTAR

KUSHTET E PËRGJITHSHME TË SIGURISË UDHËZIME TË RËNDËSISHME TË SIGURISË LEXONI ME KUJDES DHE MBANI PËR REFERENCA TË ARDHSHME

1. Përpara se të përdorni pajisjen, lexoni manualin e përdorimit dhe ndiqni udhëzimet e përfshira në të. Prodhuesi nuk është përgjegjës për dëmet e shkaktuara nga përdorimi i pajisjes në kundërshtim me qëllimin e synuar ose funksionimin e pahijshëm.
2. Pajisja është vetëm për përdorim shtëpiak. Mos e përdorni për qëllime të tjera që nuk janë për qëllimin e synuar.
3. Pajisja duhet të lidhet vetëm me një prizë AC me tokëzim 220 240 V ~ 50 Hz. Për të rritur sigurinë operationale, disa pajisje elektrike nuk duhet të lidhen në një qark aktual në të njëjtën kohë.
4. Tregoni kujdes ekstrem kur përdorni pajisjen kur fëmijët janë afër. Mos lejoni fëmijët të luajnë me pajisjen, mos lejoni që fëmijët ose personat që nuk e njohin pajisjen ta përdorin atë.
5. PARALAJMËRIM: Kjo pajisje mund të përdoret nga fëmijë mbi 8 vjeç dhe njerëz me aftësi të kufizuara fizike, shqisore ose mendore, ose njerëz që nuk kanë përvojë ose njohuri për pajisjen, nëse kjo bëhet nën mbikëqyrjen e një personi përgjegjës. për sigurinë e tyre ose u është dhënë informacion mbi përdorimin e sigurt të pajisjes dhe janë të vetëdijshëm për rreziqet e përdorimit të saj. Fëmijët nuk duhet të luajnë me pajisjet. Pastrimi dhe mirëmbajtja e pajisjes nuk duhet të kryhen nga fëmijët, përveç nëse janë mbi 8 vjeç dhe këto aktivitete kryhen nën mbikëqyrje.
6. Gjithmonë shkëputeni spinën duke e mbajtur prizën me dorë pas përdorimit. MOS e tërhiqni kordonin e rrymës.
7. Mos e zhytni kabllon, spinën dhe të gjithë pajisjen në ujë ose në ndonjë lëng tjetër. Mos e ekspozoni pajisjen ndaj kushteve atmosferike (shiu, dielli, etj.) ose mos e përdorni në kushte me lagështi të lartë (banjo, shtëpi të lëvizshme me lagështirë).

8. Kontrolloni periodikisht gjendjen e kordonit të rrymës. Nëse kordoni i rrymës është i dëmtuar, ai duhet të zëvendësohet nga një dyqan riparimi i specializuar për të shmangur rrezikun.
9. Mos e përdorni pajisjen me një kablo të dëmtuar të rrymës ose nëse ajo ka rënë ose është dëmtuar në ndonjë mënyrë tjetër ose nëse nuk funksionon siç duhet. Mos e riparoni vetë pajisjen, pasi ekziston rreziku i goditjes elektrike. Merrni pajisjen e dëmtuar në një qendër shërbimi të përshtatshme për kontroll ose riparim. Të gjitha riparimet mund të kryhen vetëm nga pikat e autorizuar të shërbimit. Riparimet e kryera gabimisht mund të shkaktojnë rrezik serioz për përdoruesin.
10. Vendoseni pajisjen në një sipërfaqe të ftohtë, të qëndrueshme, larg pajisjeve të nxehta të kuzhinës si: sobë elektrike, djegës me gaz etj.
11. Sigurohuni që asgjë të mos bllokojë hyrjen dhe daljen e ajrit të pajisjes
12. Përdoreni pajisjen vetëm në një sipërfaqe të sheshtë për të parandaluar derdhjen e kondensimit
13. Për të siguruar mbrojtje shtesë, këshillohet të instaloni një pajisje të rrymës së mbetur (RCD) në qarkun elektrik me një rrymë të mbetur nominale jo më të madhe se 30 mA. Kërkoni një electricist për këtë.
14. Pastroni rregullisht filtrin e ajrit. Frekuenca e pastrimit varet nga pastërtia e ajrit.
15. Pasi ta fikni makinën, prisni të paktën 5 minuta përpara se ta ndizni sërish.
16. Për një delagëzim efektiv, duhet të përdoret një hendek prej të paktën 20 cm midis mureve anësore të pajisjeve dhe mobiljeve ose perdeve të ngjeshura.
17. Për të shmangur rrezikun e zjarrit ose shpërthimit, mos e spërkatni tharësen
18. Për të përdorur pjesët e strehës, mos e vendosni dehumidifikuesin pranë pajisjeve ngrohëse.
19. Hiqni ujin e mbledhur në rezervuar. Pirja aksidentale e ujit ose përdorimi i tij me njerëz të tjerë mund të shkaktojë sëmundje.
20. Nuk mbështet pajisjet me mbulesën e pasme të hequr për shkak të pjesëve të lëvizshme dhe të nxehta.
21. Mos përdorni asnjë mjet për të kryer procesin e shkrirjes ose funksionimit, përveç atyre të rekomanduara nga prodhuesi.
22. Pajisja duhet të jetë e disponueshme si pjesë e listës së përhershme të burimeve të ndezjes, dmth. pa flakë të hapur, pa pajisje gazi që funksionon ose pa pajisje ngrohëse.
23. Mos shponi dhe mos pini duhan.
24. Ju lutemi vini re se prodhuesit e frigoriferëve mund të mos përmbajnë aromë.

Para përdorimit të parë:

1. Dehumidifikuesi duhet të përdoret në një sipërfaqe të niveluar dhe të qëndrueshme, të mbajë distanca midis njësisë dhe objekteve të tjera sipas figurës 1 për të siguruar efikasitet të përshtatshëm. Mbyllni të gjitha dritaret dhe dyert e dhomës që dëshironi të hiqni ajrin.
2. Për të parandaluar ngrirjen e ujit, mos përdorni dehumidifikuesin dhe zorrën e shkarkimit në temperaturë ambiente nën 0°C
3. Mos e përdorni dehumidifikuesin jashtë. Ekspozimi ndaj rrezeve të diellit direkte ose shiut mund të rezultojë në mbinxehje, goditje elektrike dhe zjarr.
4. Mos e vendosni rezervuarin e ujit në dehumidifikues për të shmangur çdo derdhje uji në njësinë brenda dhe përkeqëson izolimin.

5. Asnjëherë mos u përpigni ta përdorni dehumidifikuesin për përdorime të veçanta, të tilla si delagësimi i ushqimit ose ruajtja e objekteve të artit, ose të ngjashme.
6. Mos e përdorni dehumidifikuesin ku mund të ketë ndonjë rrjedhje vaji ose gazi të ndezshëm. Mos e përdorni njësinë në vende që i nënshtrohen kimikateve.
7. Për kullim të vazhdueshëm, sigurohuni që zorra e kullimit të jetë vendosur siç duhet me pjerrësi.
8. Kini kujdes që një pajisje ngrohëse të mos ekspozohet ndaj erës nga dehumidifikuesi.
9. Mos e përdorni dehumidifikuesin si karrige apo stol për këmbë.
10. Mos e hiqni levën notuese nga rezervuari i ujit.
11. Mos bllokoni hyrjet dhe daljet e ajrit.
12. Mos e mbulonni njësinë me rroba të lara.
13. Para funksionimit të vazhdueshëm për një kohëzgjatje të gjatë, kërkohet kontrolli periodik veçanërisht për filtrin e pastër të ajrit, zorrën e shkarkimit ose të ngjashme.
14. Pajisja duhet të instalohet, përdoret dhe ruhet në një dhomë me sipërfaqe më të madhe se 4 metra katrorë dhe në një dhomë me një zonë të ajrosur mirë.
15. Asnjëherë mos i vendosni gishtat, shufrat, në daljen dhe hyrjen e ajrit.

Përshkrimi i produktit: AD7861 Dehumidifikues ajri (foto 2)

- | | | |
|-------------------------------|--|-------------------------|
| 1. Dorezë për bartje të lehtë | 2. Dalje ajri | 3. Strehimi i pasmë |
| 4. Paneli i kontrollit | 5. Hyrja e ajrit | 6. Strehimi i përparmë |
| 7. Depozita e ujit 2.0L | 8. Kordoni i rrymës | 9. Këmbë |
| 10. Zorra e kullimit | 11. Legen me not | 12. Filtri i ajrit neto |
| 13. Rrjetë filtri | 14. Porta e vazhdueshme e kullimit të ujit | |

Paneli i kontrollit

- | | |
|---|--|
| A. Butoni i energjisë | B. Butoni i uljes së lagështisë së dëshiruar |
| C. Butoni i dëshiruar i rritjes së lagështisë | D. Butoni i kohëmatësit 0-24 orë |
| E. Treguesi i kohëmatësit | F. treguesi i vetë shkrijes |
| G. Treguesi i aktivitetit të kompresorit | H. Treguesi i rezervuarit të plotë të ujit |
| J. Treguesi dixhital "88" | |

Treguesi dixhital "88" (J) do të tregojë:

- Niveli i dëshiruar i lagështisë së zgjedhur në intervalin: 30-90 përqind e lagështisë relative (RH)
- orë në interval: 1-24, kur programoni fillimin e vonuar ose ndalimin e vonuar
- "LO" – do të thotë e ulët, kur lagështia e mjedisit është më e ulët se 35%
- "HI" - do të thotë e lartë, kur lagështia e mjedisit është më e lartë se 95%,

PËRDORIMI

1. Lidheni pajisjen në prizë.
2. Shtypni butonin e ndezjes (A) për të nisur funksionimin, treguesi dixhital "88" (J) do të ndizet. Shtypni përsëri butonin e energjisë (A) për të ndaluar funksionimin.
3. Shtypni pjesën e poshtme (C) ose (D) për të vendosur nivelin e dëshiruar të lagështisë në dhomë, i cili mund të vendoset nga 30% në 90% në intervale 5% ose "CO".

Pas një periudhe pune:

- kur lagështia e mjedisit është më e ulët se lagështia e zgjedhur me 2%, kompresori do të ndalojë,
- kur lagështia e mjedisit është e barabartë ose më e lartë se lagështia e zgjedhur me 3%, kompresori do të rindizet një herë pas 3 minutash të mbrojtjes së kompresorit.

4. FUNKSIONI I KOHËMATËSIT

Shtypni butonin e kohëmatësit (D) është koha e programit:

- kur pajisja është e ndezur për të konfiguruar funksionin e ndalimit të vonuar:

Duke shtypur vazhdimisht butonin e kohëmatësit (D) rregulloni kohën e dëshiruar, ai do të qarkullojë nga 0-1-2.....23-24. Treguesi i kohës (E) do të ndizet. Pajisja do të ndalojë funksionimin kur të kalojë koha e dëshiruar.

- kur pajisja fiket për të konfiguruar funksionin e nisjes me vonë:

Duke shtypur vazhdimisht butonin e kohëmatësit (D) rregulloni kohën e dëshiruar, ai do të qarkullojë nga 0-1-2.....23-24. Treguesi i kohës (E) do të ndizet. Pajisja do të fillojë të funksionojë kur të kalojë koha e dëshiruar. Për të anuluar programimin e kohëmatësit, shtypni butonin e kohëmatësit (D) në zero.

Koha e programuar mbetet e pandryshuar nëse makina ndalon së punuari për shkak të rezervuarit të mbushur me ujë ose gjatë shkrijes vetë.

5. kullimi i rezervuarit të ujit

Kur rezervuari i ujit (7) është i mbushur, treguesi (H) ndizet, funksionimi do të ndalojë automatikisht dhe sinjalizuesi do të bie 15 herë për të paralajmëruar përdoruesin se uji duhet të zbrazet nga rezervuari i ujit (7).

Shikoni figurat 4 dhe 5. Procedura e kullimit të ujit është:

- Shtypni lehtë në anët e rezervuarit (7) me të dyja duart dhe tërhiqeni me kujdes rezervuarin.

- Hidhni ujin e mbledhur. Nëse rezervuari i ujit (7) është i ndotur, lajeni me ujë të ftohtë ose të vakët.

VËREJTJE: Mos e hiqni legenin notues (11) nga rezervuari i ujit (7). Sensori i integruar i ujit të plotë nuk do të jetë më në gjendje të zbulojë saktë nivelin e ujit pa legenin notues (11) dhe pajisja do të ndalojë funksionimin.

- Kur vendosni përsëri rezervuarin e ujit (7), shtypni rezervuarin fort në vend me të dyja duart. Nëse rezervuari nuk është i pozicionuar siç duhet, sensorin e integruar i ujit të plotë nuk do të aktivizohet, kështu që dehumidifikuesi nuk do të funksionojë.

6. FUNKSIONI I VAZHUESHËM I KULLIMIT TË UJIT

Kur vendosni nivelin e lagështisë në "CO" në ekranin dixhital (J), kompresori do të funksionojë vazhdimisht.

Përdoruesi mund të:

6.a. lidhni zorrën e shkarkimit (10)

Nëse përdoruesi lidh zorrën e shkarkimit (10), uji do të derdhet vazhdimisht në lavaman / vaskë ose enë tjetër të jashtme që do të vendosni. Pajisja përmban një portë të vazhdueshme të kullimit të ujit (14) - shikoni figurën 3.

Duhet të hiqni rezervuarin e ujit (7) për të montuar zorrën e kullimit (10) në portën e kullimit të vazhdueshëm të ujit (14). Tubi i shkarkimit (10) (me një diametër të brendshëm prej 10 mm) duhet të vendoset në vrimën e kullimit të portës (14) të treguar në figurën 3. Uji mund të shkarkohet vazhdimisht nga porta (14).

6.b. mos e lidhni zorrën e shkarkimit (10).

Nëse përdoruesi nuk e lidh zorrën e shkarkimit (10), uji do të rrjedhë në rezervuarin e ujit (7). Kur rezervuari i ujit (7) të jetë plot, pajisja do të ndalojë funksionimin automatikisht.

7. FUNKSIONI AUTO SHKRIRJES

Kur ngrihet mbi bobinën e integruar të avulluesit, kompresori do të fiket dhe pajisja do të kalojë automatikisht në modalitetin e vetë-shkrirjes. Pas përfundimit të modalitetit të shkrirjes, pajisja do të kthehet në cilësimet e mëparshme të funksionimit. Kur pajisja punon në një dhomë me një temperaturë midis 5 gradë Celsius dhe 12 gradë Celsius, ajo do të hyjë në modalitetin e vetë-shkrirjes afërsisht çdo 30 minuta. Kur pajisja punon në një dhomë me një temperaturë midis 12 gradë Celsius dhe 20 gradë Celsius, ajo do të hyjë në modalitetin e vetë-shkrirjes afërsisht çdo 45 minuta.

Pastrimi dhe mirëmbajtja

1. Fikni njësinë dhe shkëputni spinën elektrike përpara se të filloni çdo pastrim ose mirëmbajtje tjetër rutinë.

2. Për të shmangur rrezikun e goditjes elektrike, mos e spërkatni ose derdhni kurrë ujë mbi dehumidifikuesin kur e pastroni.

3. Fikni pajisjen dhe zbrazi ujin nga rezervuari i ujit përpara se ta lëvizni pajisjen. Sigurohuni që ta mbani për dorezë gjatë lëvizjes.

4. Fshijeni kapakun e pajisjes me leckë të lagur.

5. Mos e çmontoni notuesin (11) nga rezervuari i ujit (7). Për të pastruar rezervuarin e ujit (7) mos përdorni detergjent, jastëkë pastrimi, lecka pluhuri të trajtuara kimikisht, benzinë, benzinë, hollues ose tretës të tjerë, pasi këto mund të gërvishin dhe dëmtojnë rezervuarin dhe të shkaktojnë rrjedhje uji.

6. Përpara funksionimit të planifikuar të vazhdueshëm për një kohëzgjatje të gjatë, kërkohet kontroll periodik veçanërisht për filtrin rrjetë të ajrit (12) dhe zorrën e shkarkimit (10).

7. Për të pastruar ose zëvendësuar filtrat duhet të jenë:

- shkëputni spinën dhe hiqni rezervuarin e ujit (7),

- hiqni rrjetën (13) siç tregohet në figurën 6,

- hiqni me kujdes filtrin e ajrit (12) nga rrjeta e filtrit (13),

- Pastroni filtrin çdo dy javë me një fshesë me korrent. Vëreni lehtë një fshesë me korrent mbi sipërfaqen e filtrit të ajrit (12) për të hequr papastërtitë. Nëse filtri i ajrit (12) është jashtëzakonisht i ndotur, lajeni me ujë të ngrohtë dhe një pastrues të butë dhe thajeni tërësisht. Performanca e delagësimit mund të ulet kur filtri është i bllokuar me mbeturina.

- vendoseni filtrin brenda rrjetës së filtrit dhe montojeni përsëri në kutinë e pajisjes.

8. Mos e pastroni pajisjen me benzinë, hollues ose detergjent të lëngshëm.

9. Ruajtja: kur pajisja nuk përdoret për një periudhë të gjatë kohore dhe dëshironi ta ruani, vini re hapat e mëposhtëm:

- Zbrazi ujin e mbetur në rezervuarin e ujit.

- Palosni kordonin e furnizimit me energji elektrike (8) dhe vendoseni brenda rezervuarit të ujit (7) brenda.

- Pastroni filtrin rrjetë të ajrit (12).

- Ruajeni në vend të freskët dhe të thatë.

SHQYRTIMI I PROBLEMEVE

Nëse ndodh një kusht i renditur më poshtë, ju lutemi kontrolloni artikujt e mëposhtëm përpara se të telefononi shërbimin ndaj klientit.

Problemi 1: Pajisja nuk funksionon.

Arsyeja e mundshme 1: A është shkëputur kordoni i energjisë?

Zgjidhja e problemit: Futni kabllon e rrymës në prizë.

Arsyeja e mundshme 2: A pulson treguesi i rezervuarit të plotë të ujit (H)?

Zgjidhja e problemit: Rezervuari është plot ose në pozicion të gabuar. Zbrazni rezervuarin e ujit (7) dhe më pas ripoziciononi rezervuarin.

Arsyeja e mundshme 3: A është temperatura e dhomës mbi 35 gradë Celsius apo nën 5 gradë Celsius?

Zgjidhja e problemit: Aktivizohet pajisja mbrojtëse e integruar dhe dehumidifikuesi nuk mund të ndizet në temperaturën e dhomës mbi 35 gradë Celsius ose nën 5 gradë Celsius.

Problemi 2: Funkzioni i dehumidifikimit nuk funksionon

Arsyeja e mundshme 1: A është bllokuar filtri rrjetë i ajrit (12)?

Zgjidhja e problemit 1: Pastroni filtrin e ajrit siç udhëzohet në "Pastrimi dhe mirëmbajtja" - pika 7.

Arsyeja e mundshme 2: A është penguar hyrja e ajrit (5) ose dalja e ajrit (2)?

Zgjidhja e problemit: Hiqni pengesën.

Problemi 3: Nuk shkarkohet ajri.

Arsyeja e mundshme 1: A është bllokuar filtri rrjetë i ajrit (12)?

Zgjidhja e problemit: Pastroni filtrin e ajrit siç udhëzohet në "Pastrimi dhe mirëmbajtja" - pika 7.

Problemi 4: Funkzionimi është i zhurmshëm

Arsyeja e mundshme 1: A është pajisja e anuar apo e pozicionuar në mënyrë të paqëndrueshme?

Zgjidhja e problemit: Zhvendoseni pajisjen në një sipërfaqe të qëndrueshme, të barabartë dhe të qëndrueshme.

Arsyeja e mundshme 2: A është bllokuar filtri i rrjetës së ajrit (12)?

Zgjidhja e problemit: Pastroni filtrin e ajrit siç udhëzohet në "Pastrimi dhe mirëmbajtja" - pika 7.

Problemi 5: Kodi E1 i treguar në treguesin dixhital (J)

Arsyeja e mundshme 1: Qark i shkurtër ose qark i hapur i sensorit të spirales

Zgjidhja e problemit: Kontaktoni shitësin që ju ka lëshuar faturën e blerjes.

DATA TEKNIKE:

Kapaciteti i dehumidifikimit në 30°C / 80% RH): 10 litra / 24 orë

Niveli i zhurmës: <= 42dB(A)

Kapaciteti i rezervuarit të ujit: 2.0 litra

Rrjedha e ajrit: 150 m³/orë

Pesha e ftohësit R290: 45 gram

Fuqia e vlerësuar e hyrjes: 280 W

Furnizimi me energji elektrike: 220-240V ~50Hz



Kujdes, rrezik zjarri.

MOS shponi ose digjni.

Kini parasysh se ftohësi mund të mos ketë erë.

Pajisja do të instalohet, përdoret dhe ruhet në një dhomë me sipërfaqe më të madhe se 4 m².

Sasia maksimale e ngarkesës së ftohësit: 45 g.



Ju lutemi transferoni paketimin e kartonit në letër të mbeturinave. Hidhni qeset e polietilenit (PE) në enë plastike Pajisja e konsumuar duhet të kthehet në vendin e duhur të ruajtjes sepse është e rrezikshme në pajisje përbërësit mund të përbëjnë një kërcënim për mjedisin. Pajisja elektrike duhet të dorëzohet në kufi ripërdorim dhe përdorim të tij. Nëse në pajisje ka bateri, duhet të hiqni dhe t'i jepni pikës së ruajtur veçmas.

(KA) ქართული

უსაფრთხოების ზოგადი პირობები

უსაფრთხოების მნიშვნელოვანი ინსტრუქციები წაიკითხეთ ყურადღებით და შეინახეთ მომავალი მითითებისთვის

1. მოწყობილობის გამოყენებამდე წაიკითხეთ მომხმარებლის სახელმძღვანელო და მიჰყევით მასში მოცემულ ინსტრუქციას. მწარმოებელი არ არის პასუხისმგებელი მოწყობილობის დანიშნულებისამებრ გამოყენების ან არასათანადო მუშაობის შედეგად გამოწვეული ზიანისთვის.

2. მოწყობილობა განუთვნილია ძველად სახლის

გამოყენებისთვის. არ გამოიყენოთ სხვა მიზნებისთვის, რომელიც არ შეესაბამება მის დანიშნულ გამოყენებას.

3. მოწყობილობა უნდა იყოს დაკავშირებული მხოლოდ დამიწებულ AC 220 240V~50Hz-ზე. ოპერაციული უსაფრთხოების გაზრდის მიზნით, არ დააკავშიროთ რამდენიმე ელექტრო მოწყობილობა ერთდროულად ერთ წრეში.

4. განსაკუთრებით ფრთხილად იყავით მოწყობილობის გამოყენებისას, როდესაც ბავშვები ახლოს არიან. ბავშვებს არ უნდა მიეცეთ საშუალება, ითამაშონ მოწყობილობასთან.

5. გაფრთხილება: ეს მოწყობილობა შეიძლება გამოიყენონ 8 წელზე უფროსი ასაკის ბავშვებმა და შემცირებული ფიზიკური, სენსორული ან გონებრივი შესაძლებლობების მქონე პირებმა, ან ადამიანები, რომლებსაც არ გააჩნიათ გამოცდილება ან ცოდნა აღჭურვილობის შესახებ, თუ მათ მეთვალყურეობენ ან მიეცათ ინსტრუქციები. გამოიყენეთ ინსტრუქციები მოწყობილობის უსაფრთხო გამოყენების შესახებ და იცოდეთ მის გამოყენებასთან დაკავშირებული საფრთხეები. ბავშვებს არ უნდა ეთამაშათ აღჭურვილობა. მოწყობილობის გაწმენდა და მოვლა არ უნდა ჩატარდეს ბავშვების მიერ, თუ ისინი არ არიან 8 წელზე უფროსი ასაკის და ეს აქტივობები ხორციელდება მეთვალყურეობის ქვეშ.

6. როდესაც დაასრულებთ მის გამოყენებას, ამოიღეთ შტეფსელი დენის სოკეტიდან ხელით დაჭერით. არ გაჭიმოთ დენის კაბელი.

7. არ ჩაყაროთ კაბელი, შტეფსელი ან მთელი მოწყობილობა წყალში ან სხვა სითხეში. არ დაუშვათ მოწყობილობა ამინდის პირობებში (წვიმა, მზე და ა.

8. პერიოდულად შეამოწმეთ კვების კაბელის მდგომარეობა. თუ დენის კაბელი დაზიანებულია, ის უნდა შეიცვალოს სპეციალისტმა სარემონტო ობიექტმა, რათა თავიდან აიცილოთ საფრთხე.

9. არ გამოიყენოთ მოწყობილობა, თუ დენის კაბელი დაზიანებულია, თუ ის ჩამოვარდა ან რაიმე სახით დაზიანდა, ან თუ ის ნორმალურად არ მუშაობს. არ შეაკეთოთ მოწყობილობა საკუთარ თავს, რადგან ამან შეიძლება გამოიწვიოს ელექტროშოკი. მიიტანეთ დაზიანებული მოწყობილობა შესაბამის სერვის ცენტრში შესამოწმებლად ან შესაკეთებლად. ყველა შვეთება შეიძლება შესრულდეს მხოლოდ ავტორიზებული სერვისცენტრების მიერ. არასწორად შესრულებულმა რემონტმა შეიძლება სერიოზული საფრთხე შეუქმნას მომხმარებელს.

10. მოათავსეთ მოწყობილობა გრილ, სტაბილურ, თანაბარ ზედაპირზე, მოშორებით ცხელი სამზარეულოს ტექნიკისგან, როგორცაა: ელექტრო ღუმელი, გაზქურა და ა.შ.

11. დარწმუნდით, რომ არათყვერი არ ბლოკავს მოწყობილობის ჰაერის შესასვლელსა და გამოსავალს
12. გამოიყენეთ მოწყობილობა მხოლოდ ბრტყელ, ჰორიზონტალურ ზედაპირზე, რათა თავიდან აიცილოთ კონდენსაციის დაღვრა
13. დამატებითი დაცვის უზრუნველსაყოფად, მიზანშეწონილია დამონტაჟდეს ნარჩენი დენის მოწყობილობა (RCD) ელექტრულ წრეში, რომლის ნომინალური ნარჩენი დენი არ აღემატება 30 mA-ს. ამასთან დაკავშირებით, გთხოვთ, დაუკავშირდეთ სპეციალისტ ელექტრიკოსს.
14. რეგულარულად განმინდეთ ჰაერის ფილტრი. განმენდის სიხშირე დამოკიდებულია ჰაერის სისუფთავეზე.
15. მოწყობილობის გამორთვის შემდეგ დაელოდეთ მინიმუმ 5 წუთი, სანამ ხელახლა ჩართავთ.
16. ეფექტური გამრობის უზრუნველსაყოფად შეინარჩუნეთ მინიმუმ 20 სმ მანძილი მოწყობილობის გვერდით კედლებსა და კედელს, ავეჯს ან ფარდებს შორის.
17. ხანძრის ან აფეთქების საფრთხის თავიდან ასაცილებლად, არ შეასხუროთ გამათხვავიერებელი
18. კორპუსის ნაწილების დნობის ან ხანძრის თავიდან ასაცილებლად, არ მოათავსოთ გამათხვავიერებელი გამათბობელ მოწყობილობებთან ახლოს.
19. ამოიღეთ ავზში დაგროვილი წყალი. წყლის შემთხვევით დაღუვამ ან სხვა მიზნებისთვის გამოყენებამ შეიძლება დაავადდეთ.
20. არ გამოიყენოთ მოწყობილობა მოძრავი და ცხელი ნაწილების გამო ამოღებული უკანა საფარით.
21. არ გამოიყენოთ რაიმე საშუალება გაღობის ან განმენდის პროცესის დასაჩქარებლად, გარდა მწარმოებლის მიერ რეკომენდებული.
22. მოწყობილობა უნდა ინახებოდეს ოთახში მუდმივად მოქმედი აალების წყაროების გარეშე, ანუ ღია ცეცხლის გარეშე, მოქმედი გაზის დანადგარის ან მოქმედი ელექტრო გამაცხელებლის გარეშე.
23. არ გახვრეტით და არ დაწვათ.
24. გთხოვთ გაითვალისწინოთ, რომ მაცივარი შეიძლება იყოს უსუნო.

პირველ გამოყენებამდე

1. გამათხვავიერებელი უნდა იყოს გამოყენებული ჰორიზონტალურ და სტაბილურ ზედაპირზე, შეინარჩუნოს მანძილი მოწყობილობასა და სხვა ობიექტებს შორის, როგორც ნაჩვენებია სურათ 1-ში,

რათა უზრუნველყოს ადეკვატური შესრულება. დახურეთ ოთახის ყველა ფანჯარა და კარი, რომელშიც გასურთ ჰაერის გამრობა.

2. წყლის გაყინვის თავიდან ასაცილებლად, არ გამოიყენოთ გამათხვრიებელი და სანიაღვრე შლანგი 0°C-ზე დაბალ ტემპერატურაზე.

3. არ გამოიყენოთ გამათხვრიებელი გარეთ. მზის პირდაპირი სხივების ან წვიმის ზემოქმედებამ შეიძლება გამოიწვიოს გადახურება, ელექტრომოკი და ხანძარი.

4. არ მოათავსოთ ავზი გამწმენდზე, რათა თავიდან აიცილოთ წყლის დაღვრა მოწყობილობის შიგნით და იზოლაციის გაფუჭება.

5. არასოდეს შეეცადოთ გამოიყენოთ დამატენიანებელი სპეციალური მიზნებისათვის, როგორცაა საკვების გამრობა ან ხელოვნების საგნების შენახვა და ა.შ.

6. არ გამოიყენოთ გამათხვრიებელი ისეთ ადგილებში, სადაც შეიძლება გაჟონოს ზეთი ან აალებადი აირი. არ გამოიყენოთ მოწყობილობა ქიმიკატების ზემოქმედების ქვეშ.

7. უწყვეტი დაცვისთვის, დარწმუნდით, რომ სანიაღვრე შლანგი სწორად არის ორიენტირებული დახრილობით.

8. ფრთხილად იყავით, რომ გამაცხელებელი მოწყობილობა არ ექვემდებარებოდეს ქარის გამათხვრიებელს.

9. არ გამოიყენოთ გამათხვრიებელი სკამად ან ფეხის სკამად.

10. არ ამოიღოთ მცურავი ბერეტი წყლის ავზიდან.

11. არ გადაკეტოთ ჰაერის შესასვლელი და გასასვლელი.

12. არ დაფაროთ მოწყობილობა გარეცხილი ტანსაცმლით.

13. ხანგრძლივი მუშაობის დაწყებამდე საჭიროა პერიოდული შემოწმება, განსაკუთრებით ჰაერის ფილტრის, სანიაღვრე შლანგის და სხვა.

14. მოწყობილობა უნდა იყოს დაყენებული, ექსპლუატაცია და შენახვა 4 მ2-ზე მეტი ფართობის მქონე ოთახში და კარგად ვენტილირებადი ოთახში.

15. არასოდეს ჩააყოლოთ თითები ან წნელები ჰაერის გასასვლელში და შესასვლელში.

პროდუქტის აღწერა: AD7861 ჰაერის გამათხვრიებელი (ფოტო 2)

- | | |
|---------------------------------|---------------------------------------|
| 1. სახელური მარტივი ტარებისთვის | 2. ჰაერის გასასვლელი |
| 3. უკანა საფარი | 4. მართვის ჰანელი |
| 5. ჰაერის შესასვლელი | 6. წინა გარსაცმები |
| 7. 2.0ლ წყლის ავზი | 8. დენის კაბელი |
| 9. ფეხები | 10. სანიაღვრე შლანგი |
| 11. ფლოტი | 12. ბადისებრი ჰაერის ფილტრი |
| 13. ფილტრის კორპუსი | 14. უწყვეტი წყლის გადინების კონექტორი |

მართვის ჰანელი

- | | |
|--|---|
| A. ჩართვის დილაკი | B. სასურველი ტენიანობის შემცირების დილაკი |
| C. დილაკი სასურველი ტენიანობის გაზრდისთვის | D. ტაიმერის დილაკი 0-24 საათი |
| E. ტაიმერის მაჩვენებელი | F. თვითგაყინვის მაჩვენებელი |
| G. კომპრესორის აქტივობის მაჩვენებელი | H. წყლის ავზის სავსე მაჩვენებელი |
| J. ციფრული მაჩვენებელი "88". | |

ციფრული მაჩვენებელი "88" (J) აჩვენებს:

- მითითებული, სასურველი ტენიანობის დონე დიაპაზონში: 30-90 პროცენტი ფარდობითი ტენიანობა (RH)

- საათი დიაპაზონში: 1-24 პროგრამირების დაგვიანებული დაწყება ან დაგვიანებული გაჩერების დროს

- "LO" - ნიშნავს დაბალს, როდესაც გარემოს ტენიანობა 35% -ზე დაბალია

- "HI" - ნიშნავს მაღალს, როდესაც გარემოს ტენიანობა 95%-ზე მეტია.

აპლიკაცია

1. შეერთეთ თქვენი მოწყობილობა.

2. მუშაობის დასაწყებად დააჭირეთ ჩართვის ღილაკს (A), ციფრული ინდიკატორი „88“ (J) აინთება. მუშაობის შესაჩერებლად კვლავ დააჭირეთ ჩართვის ღილაკს (A).

3. დააჭირეთ ქვედა ღილაკს (C) ან (D) ოთახის ტენიანობის სასურველი დონის დასაყენებლად, რომელიც შეიძლება დაყენდეს 30%-დან 90%-მდე 5%-ით ან "CO" მატებით.

მუშაობის პერიოდის შემდეგ:

- როდესაც გარემოს ტენიანობა დადგენილი ტენიანობის 2%-ით დაეცემა, კომპრესორი გაჩერდება,

- როდესაც გარემოს ტენიანობა უდრის ან აღემატება არჩულ ტენიანობას 3%-ით, კომპრესორი ხელახლა ჩაირთვება კომპრესორის დაცვის 3 წუთიანი დროის გასვლის შემდეგ.

4. ტაიმერის ფუნქცია

დააჭირეთ ტაიმერის ღილაკს (D) დროის დასაპროგრამებლად:

- როდესაც მოწყობილობა ჩართულია, დაგვიანებული გაჩერების ფუნქციის დასაყენებლად:

ტაიმერის ღილაკს (D) არაერთხელ სასურველი დროის დასაყენებლად, ის ციკლიდან 0-1-2.....23-24. დროის მაჩვენებელი (E) ანათებს. მოწყობილობა შეწყვეტს მუშაობას სასურველი დროის გასვლის შემდეგ.

- როდესაც მოწყობილობა გამორთულია, დაგვიანებული დაწყების ფუნქციის დასაყენებლად:

ტაიმერის ღილაკს (D) არაერთხელ სასურველი დროის დასაყენებლად, ის ციკლიდან 0-1-2.....23-24. დროის მაჩვენებელი (E) ანათებს. მოწყობილობა დაიწყებს მუშაობას სასურველი დროის გასვლის შემდეგ.

ტაიმერის პროგრამირების გასაუქმებლად დააჭირეთ ტაიმერის ღილაკს (D) ნულამდე.

დაპროგრამებული დრო უცვლელი რჩება, თუ მოწყობილობა შეწყვეტს მუშაობას წყლის სავსე ავზის გამო ან თვითგაყინვის დროს .

5. წყლის ავზის დაცლა

როდესაც წყლის ავზი (7) სავსეა, ინდიკატორი (H) ანათებს, მანქანა ავტომატურად გაჩერდება და ზუმერი გამოსცემს 15 სიგნალს, რათა გაათვინოთ მომხმარებელი, რომ წყლის ავზის (7) დაცლა საჭირო. შეხედეთ მე-4 და მე-5 ფოტოებს. წყლის დრენაჟის პროცედურა ასეთია:

- მსუბუქად დააჭირეთ ავზის გვერდებს (7) ორივე ხელით და ნაზად ამოიღეთ ავზი.

- დაასხით შეროვებული წყალი. თუ წყლის ავზი (7) ჭუჭყიანია, გარეცხეთ ცივი ან ნელთბილი წყლით.

შენიშვნა: არ ამოიღოთ მოცურავი (11) წყლის ავზიდან (7). ჩამენებული წყლის დონის სენსორი ვეღარ

შეძლებს სწორად ამოიგნოს წყლის დონე ცურვის გარეშე (11) და მოწყობილობა შეწყვეტს მუშაობას. - წყლის ავზის (7) გამოცვლისას მტვიცედ დააჭირეთ მას ორივე ხელით. თუ ავზი სწორად არ არის განლაგებული, ჩამენებული წყლის შევსების სენსორი არ გააქტიურდება, ამიტომ გამათვხვიერებელი არ იმუშავებს.

6. უწყვეტი სადრენაჟო ფუნქცია

მას შემდეგ, რაც ციფრულ ეკრანზე (J) ტენიანობის დონე დაყენდება „CO“-ზე, კომპრესორი მუდმივად იმუშავებს. მომხმარებელს შეუძლია:

6.ა. შეერთეთ სანიაღვრე შლანგი (10)

თუ მომხმარებელი დააკავშირებს სანიაღვრე შლანგს (10), წყალი განუწყვეტლივ ჩაედინება ნიჟარაში / აბაზანში ან სხვა გარე კონტეინერში, რომელსაც თქვენ მოათავსებთ. მოწყობილობა აღჭურვილია წყლის უწყვეტი გადინების კონექტორით (14) - იხილეთ სურათი 3. სანიაღვრე შლანგის (10) უწყვეტი წყლის გამოსასვლელთან (14) დასაკავშირებლად ამოიღეთ წყლის ავზი (7). სადრენაჟო შლანგი (10) (შიდა დიამეტრი 10 მმ) უნდა იყოს მიმაგრებული საყრდენზე (14) სადრენაჟო ხვრელთან ერთად, რომელიც ნაჩვენებია სურათზე 3. წყლის გადინება შესაძლებელია შემდეგნაირად : b უწყვეტი ღეროს მეშვეობით (14) .

6.ბ. არ დააკავშიროთ სანიაღვრე შლანგი (10).

თუ მომხმარებელი არ დააკავშირებს სანიაღვრე შლანგს (10), წყალი ჩაედინება წყლის ავზში (7). როდესაც წყლის ავზი (7) სავსეა, მოწყობილობა ავტომატურად შეწყვეტს მუშაობას.

7. ავტომატური გაღობის ფუნქცია

როდესაც ყინვა გამოჩნდება ჩამენებულ აორთქლების ხვეულზე, კომპრესორი გამოირთვება და მოწყობილობა ავტომატურად გადავა თვითგაყინვის რეჟიმში . გაყინვის რეჟიმის დასრულების შემდეგ , მოწყობილობა უბრუნდება წინა საშუალო ჰარამეტრებს. როდესაც მოწყობილობა მუშაობს ოთახში 5-დან 12 გრადუს ცელსიუსამდე ტემპერატურაზე, ის გადადის ავტომატურ გაღობის რეჟიმში დაახლოებით ყოველ 30 წუთში. როდესაც მოწყობილობა მუშაობს 12-დან 20 გრადუს ცელსიუსამდე ტემპერატურულ ოთახში, ის გადადის ავტომატურ გაღობის რეჟიმში დაახლოებით ყოველ 45 წუთში.

დასუფთავება და მოვლა

1. გამორთეთ მოწყობილობა და გამორთეთ კვების ბლოკი გაწმენდის ან სხვა რუტინული მოვლის წინ.
2. ელექტრომოვის საშიშროების თავიდან ასაცილებლად, არასოდეს შეასხუროთ და არ დაასხით წყალი გამათვხვიერებელზე გაწმენდისას.
3. მოწყობილობის გადაადგილებამდე გამორთეთ მოწყობილობა და დაცალეთ წყალი ავზიდან. დაიმახსოვრეთ, რომ გადაადგილებისას დაიჭირეთ სახელური.
4. გაწმინდეთ მოწყობილობის კორპუსი ნესტიანი ქსოვილით.
5. არ დაშალოთ ფლოტი (11) წყლის ავზიდან (7). არ გამოიყენოთ სარეცხი საშუალებები, საწმენდი ქსოვილები, ქიმიურად დამუშავებული ქსოვილები, ბენზინი, ბენზოლი, გამათხელებლები ან სხვა გამსხნელები წყლის ავზის (7) გასაწმენდად, რადგან მათ შეუძლიათ დაჰაწირონ და დააზიანონ ავზი და გამოიწვიოს წყლის გაჟონვა.

6. დაეგმილ უწყვეტ მუშაობადმე ხანგრძლივი დროის განმავლობაში, განსაკუთრებით ჰაერის ბადის ფილტრი (12) და სანიაღვრე შლანგი (10) პერიოდულად უნდა შემოწმდეს.

7. ფილტრების გასაწმენდად ან შესაცვლელად:

- გამორთეთ შტეთსელი და ამოიღეთ წყლის ავზი (7),
- ამოიღეთ ცხაური (13), როგორც ნაჩვენებია 6-ში,
- ნაზად ამოიღეთ ბადისებრი ჰაერის ფილტრი (12) ფილტრის ცხაურიდან (13),
- ფილტრი ყოველ ორ კვირაში ერთხელ უნდა გაიწმინდოს მტვერსასრუტით. ნაზად გაატარეთ მტვერსასრუტი ჰაერის ფილტრის ზედაპირზე (12) ჭუჭყის მოსაშორებლად. თუ ჰაერის ფილტრი (12) ძალიან ჭუჭყიანია, გარეცხეთ თბილი წყლით და რბილი სარეცხი საშუალებით და კარგად გაამრალეთ. დატენიანების ეფექტურობა შეიძლება შემცირდეს, როდესაც ფილტრი გადაკეტილია ნამსხვრევებით.

- ჩადეთ ფილტრი ფილტრის ბადეში და დააინსტალირეთ ისევ მოწყობილობის კორპუსში.

8. არ გაწმინდოთ მოწყობილობა ბენზინით, გამათხლებელი ან თხევადი სარეცხი საშუალებით.

9. შენახვა: თუ თქვენი მოწყობილობა დიდი ხნის განმავლობაში არ გამოიყენება და მისი შენახვა გსურთ, გააუეთეთ შემდეგი:

- წყლის ავზში დარჩენილი წყალი დაცარიელეთ.
- გაახვიეთ დენის კაბელი (8) და მოათავსეთ წყლის ავზში (7).
- გაწმინდეთ ბადისებრი ჰაერის ფილტრი (12).
- შეინახეთ გრილ და მშრალ ადგილას.

პრობლემების მოგვარება

თუ ქვემოთ ჩამოთვლილი მდგომარეობა დაფიქსირდა, გთხოვთ, შეამოწმოთ შემდეგი ელემენტები, სანამ დაუკავშირდებით მომხმარებელთა მომსახურებას.

პრობლემა 1: მოწყობილობა არ მუშაობს.

შესაძლო მიზეზი 1: გამორთულია თუ არა დენის კაბელი?

პრობლემების მოგვარება: შეაერთეთ დენის კაბელი განყოფილებაში.

შესაძლო მიზეზი 2: ციმციმებს თუ არა წყლის ავზის სავსე ინდიკატორი (H)?

პრობლემების მოგვარება: ავზი სავსეა ან არასწორ მდგომარეობაშია. დაცარიელეთ წყლის ავზი (7) და შემდეგ შეცვალეთ ავზი.

შესაძლო მიზეზი 3: ოთახის ტემპერატურა 35 გრადუს ცელსიუსზე მაღალია თუ 5 გრადუს ცელსიუსზე დაბალი?

პრობლემების მოგვარება: ჩამენებული დაცვა გააქტიურებულია და გამათხვიერებელი ვერ ამუშავებს ოთახის ტემპერატურაზე 35 გრადუს ცელსიუსზე ზემოთ ან 5 გრადუს ცელსიუსზე დაბალ ტემპერატურაზე.

პრობლემა 2: დეტენიანობის ფუნქცია არ მუშაობს

შესაძლო მიზეზი 1: არის თუ არა ჰაერის ფილტრი (12) ჩაკეტილი?

პრობლემის გადაწყვეტა 1: გაასუფთავეთ ჰაერის ფილტრი ინსტრუქციის მიხედვით "წმენდა და მოვლა" - პუნქტი 7.

შესაძლო მიზეზი 2: არის თუ არა ჰაერის შესასვლელი (5) ან ჰაერის გასასვლელი (2) ჩაკეტილი?

პრობლემის გადაწყვეტა: ამოიღეთ დაბრკოლება.

პრობლემა 3: ჰაერი არ არის ამოწურული.

შესაძლო მიზეზი 1: არის თუ არა ჰაერის ფილტრი (12) ჩაკეტილი?

პრობლემის გადაწყვეტა: გაასუფთავეთ ჰაერის ფილტრი ინსტრუქციის მიხედვით „წმენდა და მოვლა“ - პუნქტი 7.

პრობლემა 4: ოპერაცია ხმაურიანია

შესაძლო მიზეზი 1: მოწყობილობა დახრილია თუ არასტაბილურია?

პრობლემის გადაჭრა: მოათავსეთ მოწყობილობა სტაბილურ, თანაბარ და მყარ ზედაპირზე.

შესაძლო მიზეზი 2: არის თუ არა ჰაერის ფილტრის ბადე (12) ჩაკეტილი?

პრობლემის გადაწყვეტა: გაასუფთავეთ ჰაერის ფილტრი ინსტრუქციის მიხედვით „წმენდა და მოვლა“ - პუნქტი 7.

პრობლემა 5: E1 კოდი ნაჩვენებია ციფრულ ინდიკატორზე (J)

შესაძლო მიზეზი 1: მოკლე ჩართვა ან ღია კოჭის სენსორის წრე

პრობლემის გადაწყვეტა: დაუკავშირდით გამყიდველს, რომელმაც გასცა შესყიდვის ინვოისი.

ტექნიკური მონაცემები:

დატენიანების სიმძლავრე 30°C / 80% ფარდობითი ტენიანობა): 10 ლიტრი / 24 საათი

ხმაურის დონე: <= 42 dB (A)

წყლის ავზის მოცულობა: 2.0 ლიტრი

ჰაერის ნაკადი: 150 მ3/სთ

R290 გამაგრებლის წონა: 45 გრამი

ნომინალური შეყვანის სიმძლავრე: 280 W

კვების წყარო: 220-240V ~50Hz



სიფრთხილე, ხანძრის საშიშროება.

არ გახვრეთით ან დაწვათ.

გთხოვთ გაითვალისწინოთ, რომ გამაგრებელი შეიძლება იყოს უსუნო.



გთხოვთ გადაიტანეთ მუყაოს შეფუთვა მკულავურაზე. ჩაასხით პოლიეთილენის პარკები (PE)

პლასტმასის კონტეინერში

ნახშიარი მოწყობილობა უნდა დაბრუნდეს შესაბამის წერტილოვან საცავში, რადგან ის საშიშია

მოწყობილობაში

ინგრედიენტებმა შეიძლება საფრთხე შეუქმნას გარემოს. ელექტრო მოწყობილობა უნდა გადაეცეს

ლიმიტამდე

მისი ხელახალი გამოყენება და გამოყენება. თუ მოწყობილობაში არის ბატარეები, უნდა ამოვიდოთ და

ADLER

EUROPE



COFFEE GRINDER
AD 4446



TOASTER 2 SLICE
AD 3214



HAND BLENDER
Ad4625



MIXER WITH BOWL
AD 4222



AIR FRYER OVEN
AD 6309



MICROWAVE OVEN
AD 6205



WAFFLE MAKER
AD 3049



KITCHEN SCALE
AD 3170



ELECTRIC KETTLE
AD 1286



SANDWICH MAKER
AD 3043



PORTABLE FRIDGE
AD 8077



Electric Oven With HOB
AD 6020



FAN HEATER
AD 7728



MOSQUITO LAMP
AD 7938



HEATED PAD
AD 7433



ORAL IRRIGATOR
AD 2176

ADLER

EUROPE



AIR COOLER
AD 7913



FOOT SPA
AD 2177



HAIR CLIPPER
AD 2831



HAIR DRYER
AD 2265



HEATED PAD
AD 7412



CERAMIC FAN HEATER
AD 7731



OIL-FILLER RADIATOR
AD 7811



KITCHEN SCALE
AD 3171



CHOCOLATE FOUNTAIN
AD 4487



HAND BLENDER
AD 4617



LINT REMOVER
AD 9616



VACUUM CLEANER
AD 7044



MEAT MINCER
AD 4811



Blender
AD 4078



ELECTRIC GRILL
AD 6610



ELECTRIC KETTLE
AD 1293

ADLER

EUROPE



Electric Kettle
AD 1282



Burr Coffee Grinder
AD 4450



Milk Frother
AD 4491



Sandwich Maker
AD 3055



TOASTER 2 SLICE
AD 3222



ELECTRIC GRILL
AD 3052



CITRUS JUICER
AD 4009



PERSONAL BLENDER
AD 4081



FOOD PROCESSOR
AD 4224



MIXER
AD 4225



AIR FRYER
AD 6310



PASTEURIZATION POT
AD 4496



AIR CONDITIONER
AD 7916



AIR HUMIDIFIER
AD 7966



FAN HEATER
AD 7725



KITCHEN SCALE
AD 3166



AFTER SALE SERVICE NOTICE

GB	If you want to buy spare parts or make any complaints, please contact the seller who issued the receipt directly.
DE	Wenn Sie Ersatzteile kaufen oder reklamieren möchten, wenden Sie sich bitte direkt an den Verkäufer, der die Quittung ausgestellt hat.
FR	Si vous souhaitez acheter des pièces de rechange ou faire des réclamations, veuillez contacter directement le vendeur qui a émis le reçu.
ES	Si desea comprar repuestos o presentar alguna queja, comuníquese directamente con el vendedor que emitió el recibo.
PT	Se você quiser comprar peças de reposição ou fazer alguma reclamação, entre em contato diretamente com o vendedor que emitiu o recibo.
LT	Jei norite įsigyti atsarginių dalių ar pateikti nusiskundimą, susisiekite tiesiogiai su kvitą išdavusiu pardavėju.
LV	Ja vēlaties iegādāties rezerves daļas vai izteikt pretenzijas, lūdzu, sazinieties tieši ar pārdevēju, kurš izsniedza čeku.
EST	Kui soovite osta varuosi või esitada pretensioone, võtke otse ühendust kvitungi väljastanud müüjaga.
HU	Ha pótkalkatrézetek szeretne vásárolni, vagy panaszt szeretne tenni, forduljon közvetlenül a bizonylatot kiállító eladóhoz.
BS	Ako želite kupiti rezervne dijelove ili napraviti reklamaciju, obratite se direktno prodavaču koji je izdao račun.
RO	Если вы хотите купить запчасти или предъявить какие-либо претензии, пожалуйста, свяжитесь напрямую с продавцом, выдавшим чек.
CZ	Chcete-li zakoupit náhradní díly nebo uplatnit jakoukoli reklamaci, kontaktujte přímo prodejce, který účtenku vystavil.
RU	Дacă doriți să cumpărați piese de schimb sau să faceți vreo reclamație, vă rugăm să contactați direct vânzătorul care a emis chitanța.
GR	Εάν θέλετε να αγοράσετε ανταλλακτικά ή να κάνετε οποιαδήποτε παράπονα, επικοινωνήστε απευθείας με τον πωλητή που εξέδωσε την απόδειξη.
MK	Ako sakate da kupite rezervni delovi ili da podnesete kakvi bilo poplaki, kontaktirajte direktno sa prodavacot koj je izdal сметката.
NL	Als u reserveonderdelen wilt kopen of een klacht wilt indienen, neem dan rechtstreeks contact op met de verkoper die de bon heeft afgegeven.
SL	Če želite kupiti nadomestne dele ali vložiti reklamacije, se obrnite neposredno na prodajalca, ki je izdal račun.
FI	Jos haluat ostaa varaosia tai tehdä valituksia, ota yhteyttä suoraan kuitin antaneeseen myyjään.
PL	W przypadku chęci zakupu części zamiennych lub zgłoszenia ewentualnych reklamacji należy kontaktować się bezpośrednio ze sprzedawcą, który wystawił paragon.
IT	Se desidero acquistare pezzi di ricambio o presentare reclami, contatta direttamente il venditore che ha emesso la ricevuta.
HR	Se desidero acqistare pezz di ricambio o presentare reclami, contatta direttamente il venditore che ha emesso la ricevuta.
SV	Om du vill köpa reservdelar eller göra några reklamationer, vänligen kontakta säljaren som utfärdat kvittot direkt.
DK	Hvis du ønsker at købe reservedele eller reklamere, bedes du kontakte sælgeren, som har udstedt kvitteringen, direkte.
UA	Якщо ви хочете придбати запчастини або подати будь-які претензії, зверніться безпосередньо до продавця, який видав чек.
SR	Ako želite da kupite rezervne delove ili da uložite reklamaciju, obratite se direktno prodavcu koji je izdao račun.
SK	Ak si chcete kúpiť náhradné diely alebo uplatniť akúkoľvek reklamáciu, kontaktujte priamo predajcu, ktorý účtenku vystavil.
AR	يبدأ مقدمته وأرايغ عطة اارشدي فبغرت تنك اذير شابه لاصيلا رصدا يذلا عنابلاب لاصتلا يجر يف ، يوكت.
BG	Ako iskate da zakupite rezervni časti ili da napravite oplakvanija, molja, svържете се директно с продавача, който е издал касовата бележка.
AZ	Ehtiyat hissələri almaq və ya hər hansı şikayət etmək istəyirsinizsə, qəbz verən satıcı ilə birbaşa əlaqə saxlayın.
ALB	Nëse dëshironi të blini pjesë këmbimi ose të bëni ndonjë ankesë, ju lutemi kontaktoni drejt përdrejt shitësin që ka lëshuar faturën.
KA	თუ გსურთ სათადარიგო ნაწილების შეძენა ან რაიმე პრეტენზია, გთხოვთ დაუკავშირდეთ გამყიდველს, რომელმაც გასცა კვიტარი პირდაპირ.